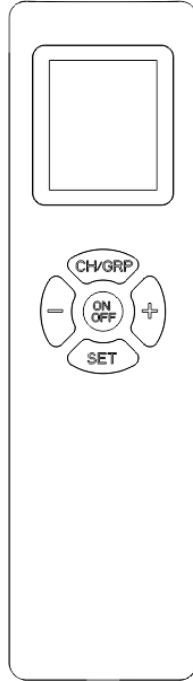


# 2.4G wireless remote control

## user's manual

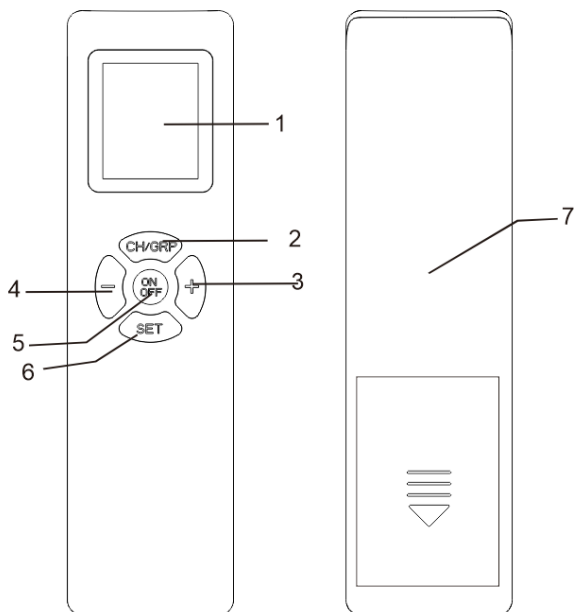


### Safety instructions:

In order to prevent your product from any damage or user safety, please read the following safety precautions thoroughly before use, and keep the information in this manual, so that all users of this product can read it at any time.

Before operating this device, please read the following instructions carefully and keep them in a safe place for future reference.

### 1. Product structure introduction:



1. LCD display: display channel, group, brightness, color temperature, power and other information.
2. CH/GRP button: switch channel setting and group setting
3. Add button: increase the value
4. Decrease button: Decrease value
5. ON/OFF button: Long press to switch the display of the remote control, short press to switch the product after power on.
6. SET button: Press the SET button to set the color temperature value
7. Rear shell: The rear shell of the remote control can be removed by pushing down to install and unload the battery.

### 2. Features

This product is a 2.4G remote control with a display screen, with a 1.3-inch LCD display screen and a backlight, which is convenient for users to use at night. This product can match most types of photographic fill light produced by our company.

### 3. Operation

#### 1. Install the battery

Push the battery back cover in the direction of the arrow marked on the back cover, and after hearing a "click", remove the battery back cover. Assemble two 1.5V AAA batteries correctly according to the + and - signs in the battery compartment. Then install the back shell.

#### 2. The remote control turns on and off

When the remote control is properly installed with batteries, press and hold the ON/OFF button for 3 seconds to turn on the remote control. In the power-on state, press and hold the ON/OFF button for 3 seconds to turn off the remote control.

#### 3. Channel and group settings

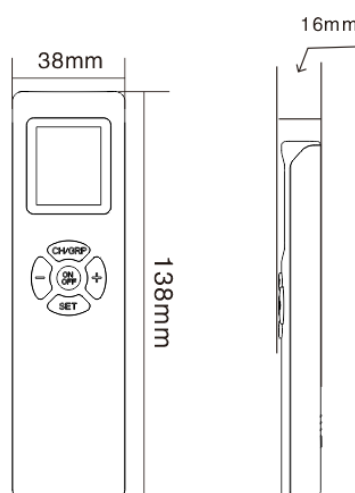
After the remote control is turned on, press the CH/GRP button, and the letter representing the group on the display will flash. Press the + and - buttons to switch between the groups: A, B, C, and ABC. Press the CH/GRP button again, the value behind CH on the display will flash, press the + and - buttons to set the channel value of the remote control.

#### 4. Brightness and color temperature adjustment

After the remote control is turned on, the + and - buttons default to brightness addition and subtraction. Short pressing the + and - buttons will increase or decrease the brightness by 1%. Long press the + and - keys, the brightness will increase or decrease continuously in 5% steps.

Press the SET button and the color temperature value on the display will flash. Short press the + and - keys to increase or decrease the color temperature by 100K. Long press the + and - keys, the color temperature will continue to increase or decrease in steps of 200K.

## 4 . Product Size



Unit: mm Tolerance:  $\pm 1.0$ mm L=138 W=38 H=16

## 5. Basic product parameters

| Number | Item                    | Specification  |
|--------|-------------------------|--|
| 1      | Scope of application    | This product can be applied to the SL-360A-RC, LED-540A-RC, SL-288A-RC, SL-272A-RC, SL-200A-RC, SL-236A-RC, AL-600A- RC, AL-900A-RC, LED-1200A-RC and other photography fill light.。 |
| 2      | Input Voltage           | 3V   |
| 3      | Battery Model           | 2pcs 1.5V AAA battery  |
| 4      | Remote type             | 2.4G Wireless Remote   |
| 5      | Control function        | Brightness +/-, color temperature +/-, group, remote control channel.  |
| 6      | Display method          | 1.3 inch LCD screen (with backlight)   |
| 7      | Display content         | Channel, group, brightness, color temperature, power and other information   |
| 8      | Wireless frequency      | 2401.5-2479.5MHz(ISM open frequency point)   |
| 9      | power                   | 0dBm   |
| 10     | Remote control distance | About 40 metre   |
| 11     | Remote control channel  | CH1-CH40   |
| 12     | Body material           | 70%ABS+30%PC、ABS   |
| 13     | Product Weight          | About 40g ( not include battery )  |
| 14     | Working temperature     | 0°C~40°C   |
| 15     | Storage temperature     | -10°C ~ 50°C   |
| 16     | Relative humidity       | 20% ~ 90%  |
| 17     | Product Size            | 138X38X16 mm   |

## 6. Precautions

1. Please use the battery specified in the product specification, otherwise the product may not turn on or be damaged.
2. This product is not waterproof.
3. The product is a precision instrument, please do not drop the product to the ground, subject it to collision or strong impact.
4. When the power display icon of the product flashes, please replace the battery as soon as possible.

**5. The connector of the product is used to connect the camera shutter cable port to use as a shutter cable. It is forbidden to insert any plug other than the camera cable into the connector, otherwise the product will be damaged.**

- **Product specifications and appearance are subject to change without notice.**

#### FCC Statement

This device complies with part 15 of the FCC rules. Operation is subject to the following two conditions: (1) this device may not cause harmful interference, and (2) this device must accept any interference received, including interference that may cause undesired operation.

Changes or modifications not expressly approved by the party responsible for compliance could void the user's authority to operate the equipment.

NOTE: This equipment has been tested and found to comply with the limits for a Class B digital device, pursuant to part 15 of the FCC Rules. These limits are designed to provide reasonable protection against harmful interference in a residential installation. This equipment generates uses and can radiate radio frequency energy and, if not installed and used in accordance with the instructions, may cause harmful interference to radio communications. However, there is no guarantee that interference will not occur in a particular installation. If this equipment does cause harmful interference to radio or television reception, which can be determined by turning the equipment off and on, the user is encouraged to try to correct the interference by one or more of the following measures:

- oÿReorient or relocate the receiving antenna.
- oÿIncrease the separation between the equipment and receiver.
- oÿConnect the equipment into an outlet on a circuit different from that to which the receiver is connected.
- oÿConsult the dealer or an experienced radio/TV technician for help.

The device has been evaluated to meet general RF exposure requirement. The device can be used in portable exposure condition without restriction.