

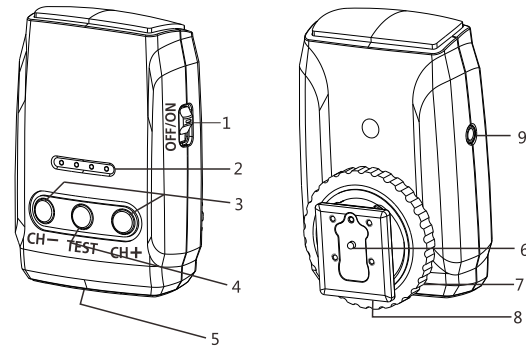
WT-U 引闪器 使用说明书



感谢您购买此产品

在使用本产品之前, 请先仔细阅读说明书, 以确保您能安全使用, 请保存好本说明书以备将来参考。

一. 部件名称



- 1. 电源开关
- 2. 2.4G 指示灯
- 3. 频道选择按键
- 4. 测试按键
- 5. 电池仓
- 6. 热靴触点
- 7. 固定旋钮
- 8. 热靴座
- 9. 同步插孔

二. 使用说明

1. 安装电池: 将电池安装到触发器, 先将电池盖往上扣开分清电池极性, 将电池装入并盖上电池盖。
2. 将触发器的热靴安装在相机热靴上, 打开触发器开关, 按触发器上频道选择键。设置相同的频道, 按触发器测试按键, 触发闪光灯。
3. 如果相机没有热靴插座, 可将同步线的一端连接触发器的同步插孔, 另一端连接相机 PC 插座上, 按相机快门触发闪光灯。



三. 2.4G 频道对应表

CH1		CH9	
CH2		CH10	
CH3		CH11	
CH4		CH12	
CH5		CH13	
CH6		CH14	
CH7		CH15	
CH8			

注意: 只有触发器和闪光灯在同一频道时, 才能触发闪光。

四. 产品参数

型号: WT-U 通道: 15 净重: 38g 操作频率: 2.4G
 额定值: 12V (由8个纽扣电池供电)

- 产品规格及外观如有变化, 恕不另行通知。

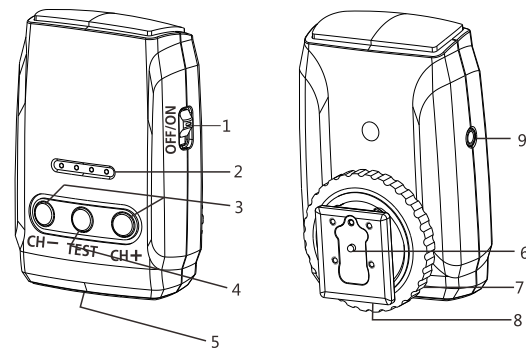
WT-U Flash Trigger User Manual



Thank you for purchasing this product

Before use, please read this user manual carefully in order to ensure your safety. Keep it properly for reference in future.

1. Product Structure



- 1. Power Switch
- 2. 2.4G Indicating Lamp
- 3. Channel Selection Button
- 4. Test Button
- 5. Battery Compartment
- 6. Hot-shoe Contact
- 7. Lock Ring
- 8. Hot-shoe
- 9. Sync Socket

2. Instruction

1. Install the battery in the trigger. Remove the battery cover, make sure the battery positive and negative polarity is correctly inserted in the battery compartment, then close the battery compartment.
2. Set the hot shoe of flash trigger WT-U on the camera's hot shoe, switch the trigger power on, press the selection button of trigger and then set same channel as the flash, press the test button on the trigger to trigger the flash.
3. If the camera does not have hot shoe, use the Sync cable to connect the trigger and camera. One side connecting the sync socket of trigger, another side connecting the PC socket of camera. Press the shutter button of camera to trigger the flash.



3. 2.4G Channel Instruction

CH1		CH9	
CH2		CH10	
CH3		CH11	
CH4		CH12	
CH5		CH13	
CH6		CH14	
CH7		CH15	
CH8			

Note: The flash will be triggered only when the flash and trigger are in same channel.

4. Specification:

Model: WT-U Channel: 15 channels Net Weight: 38g
 Wireless Frequency: 2.4G
 Rating: 12V (powered by 8 Button batteries)

- Specifications and design are subject to change without notice.

5. FCC Caution:

Any changes or modifications not expressly approved by the party responsible for compliance could void the user's authority to operate the equipment.
 This device complies with part 15 of the FCC Rules. Operation is subject to the following two conditions: (1) This device may not cause harmful interference, and (2) this device must accept any interference received, including interference that may cause undesired operation.

6. FCC RF Radiation Exposure Statement:

1. This Transmitter must not be co-located or operating in conjunction with any other antenna or transmitter.
2. This equipment complies with RF radiation exposure limits set forth for an uncontrolled environment. The device has been evaluated to meet general RF exposure requirement. The device can be used in portable exposure condition without restriction.