

For more detailed user's guide, Please visit [www.netviewtech.com](http://www.netviewtech.com) and find on Downloads page.

### Netview Technologies (Shenzhen) Co., Ltd.

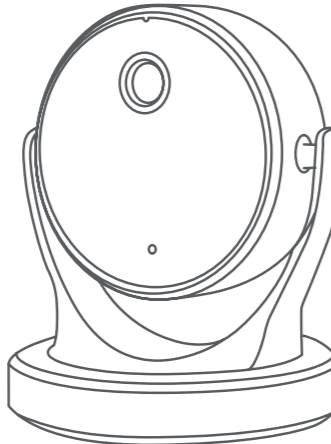
Add: Room A501-502, 10th Kejinan Road, Academy of Aerospace Technology, Shenzhen Science Park, Nanshan District, Shenzhen, China

P.C: 518057  
Tel: +86-755-86219268  
Fax: +86-755-86607322  
Email: [info@netviewtech.com](mailto:info@netviewtech.com)  
Http://[www.netviewtech.com](http://www.netviewtech.com)

Version 1.0  
© 2015 Netview Technologies (Shenzhen) Co. All rights reserved.



## Netvue III HD Internet Camera Quick Start Guide



### FCC Warning Statement

Changes or modifications not expressly approved by the party responsible for compliance could void the user's authority to operate the equipment.

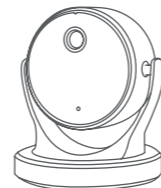
This equipment has been tested and found to comply with the limits for a Class B digital device, pursuant to Part 15 of the FCC Rules. These limits are designed to provide reasonable protection against harmful interference in a residential installation. This equipment generates uses and can radiate radio frequency energy and, if not installed and used in accordance with the instructions, may cause harmful interference to radio communications. However, there is no guarantee that interference will not occur in a particular installation. If this equipment does cause harmful interference to radio or television reception, which can be determined by turning the equipment off and on, the user is encouraged to try to correct the interference by one or more of the following measures:

- Reorient or relocate the receiving antenna.
- Increase the separation between the equipment and receiver.
- Connect the equipment into an outlet on a circuit different from that to which the receiver is connected.
- Consult the dealer or an experienced radio/TV technician for help.

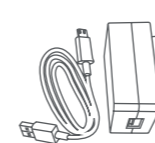
### FCC Radiation Exposure Statement

The antennas used for this transmitter must be installed to provide a separation distance of at least 20 cm from all persons and must not be co-located for operating in conjunction with any other antenna or transmitter.

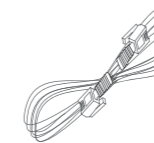
### 1. Packing List



a. HD Camera



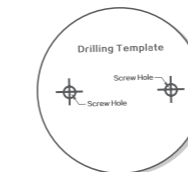
b. Power adapter



c. Network cable



d. Screw accessories



e. Location label



f. Quick Star Guide

### 2. APP Set-up



App Store



Google play

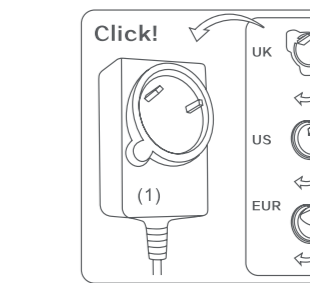
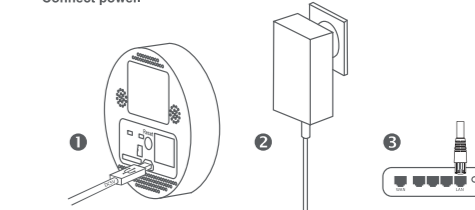


Scan QR Code to Download Mynetvue APP



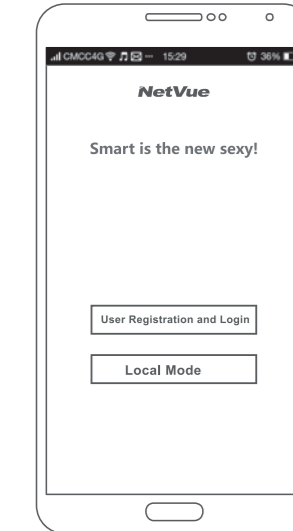
### 3. Connect device

Connect power.



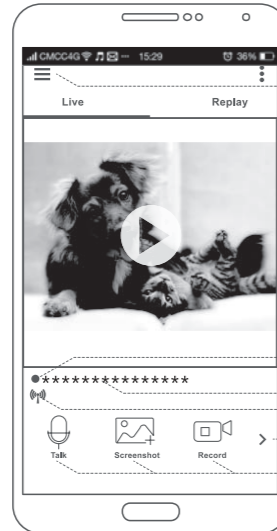
To assemble, please push and twist the plug clockwise until click.  
To disassemble, press button(1) and turn counter-clockwise.

#### 4. Add camera

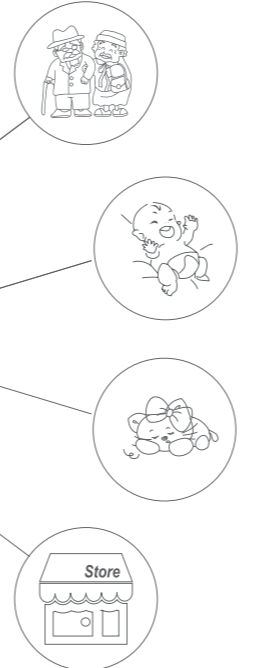
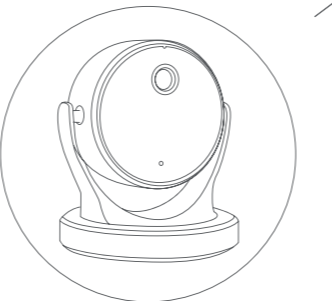
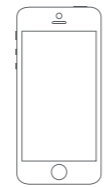
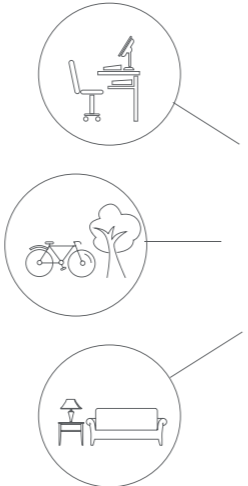


- Press Reset button on the back of camera, and the camera is ready to connect internet
- Start Mynetvue APP, select to register account and login or use local mode
- Tap on "Add" to set up camera.

#### 5. Use camera APP interface introduction



- Settings
- Device list
- Device online or offline status
- Device name
- Device connection way
- More functions
- Toolbar



**Congratulations!**  
 You have finished all setup.  
 Now you can use this camera to watch what you love anytime anywhere!

#### Attentions

Better put the device in open areas far away from metal, avoid placing behind furniture or near microwave oven. Keep away from the environment where there are audio cable, video cable and data cable winding, or hold space as large as possible. Stay within the range of WiFi signal, as close as possible.

**Move device to other places**  
 When you move the device to a new place with different WiFi, please configure WiFi referring to WiFi setting instruction on APP.