

**CAUTION-ELECTRICALLY OPERATED PRODUCT:**  
NOT RECOMMENDED FOR CHILDREN UNDER 8 YEARS OF AGE. AS WITH ALL ELECTRIC PRODUCTS, PRECAUTIONS SHOULD BE OBSERVED DURING HANDLING AND USE TO PREVENT ELECTRIC SHOCK.  
INPUT: 120V AC 60Hz 10W. OUTPUT: 14.4V DC 500mA.

**NEW BRIGHT**

## **OWNER'S MANUAL**

*Please read and understand all precautions prior to use.*

Model / Modèle No.: G21HHB

**Thank you for choosing a premium New Bright product.**

USA & Canada  
30-Day Limited Warranty

New Bright Industries warrants to the original purchaser that this product will be free of defects in materials and workmanship for thirty (30) days from the date of purchase. In the event of such defect within the warranty period, New Bright will repair or replace the product at our sole discretion. This warranty does not cover damage resulting from unauthorized modifications, accident, misuse, or abuse.

Should your item have a defect covered under this warranty, first call the toll free number listed below. Most problems can be resolved in this manner. If necessary, you will be issued a Return Authorization (RA) number and instructions on how to obtain a Product Return Form. The Product Return Form is to be used when returning a product to us (postage pre-paid and insured by the consumer).

When returning a defective product, please package the product, the Product Return Form and a copy of the dated sales receipt as proof of purchase. Be sure to mark the RA number on the Product Return Form. If the product is returned without a dated sales receipt, it will be excluded from coverage under this warranty. Please allow 4 to 6 weeks for delivery of repaired or replacement vehicles (depending on your location).

New Bright Industries' liability for defects in materials and workmanship under this warranty shall be limited to repair or replacement at our sole discretion. In no event shall we be responsible for incidental, consequential or contingent damages (except in those states that do not allow this exclusion or limitation).

Valid only in the USA & Canada.

Contact New Bright Industries Customer Service Toll Free at:  
1-877-NBI-TOYS  
(1-877-624-8697)  
Monday through Friday, 8:00 AM to 5:00 PM Eastern Time

L5751 12846/JN120-16



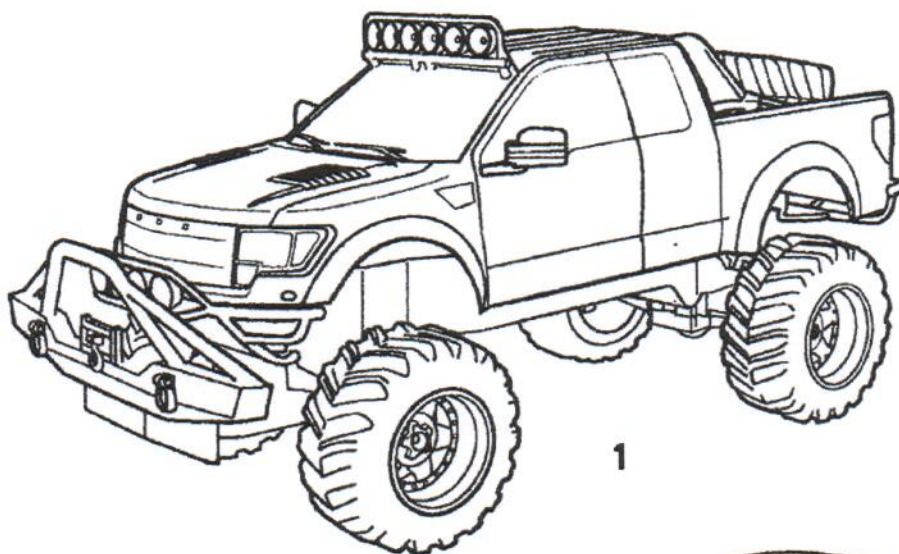
# New Bright

## Table of Contents

- Section 1: Table of Contents**
- Section 2: Component Checklist**
- Section 3: Removing the Battery**
- Section 4: Charging the Battery**
- Section 5: Vehicle Battery Installation**
- Section 6: Vehicle Features and Functions**
- Section 7: Transmitter Battery Installation**
- Section 8: Transmitter Features and Functions**
- Section 9: Proper Use  
Precautions and Care**
- Section 10: Trouble Shooting and Support**
- Section 11: Cautions**

# New Bright

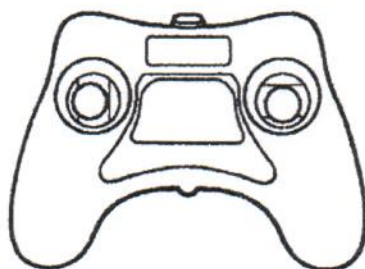
## Component Checklist



1 9.6V Lithium-Ion Battery Pack  
(Included under chassis for "Try-Me")



1 Battery Charging Unit



2



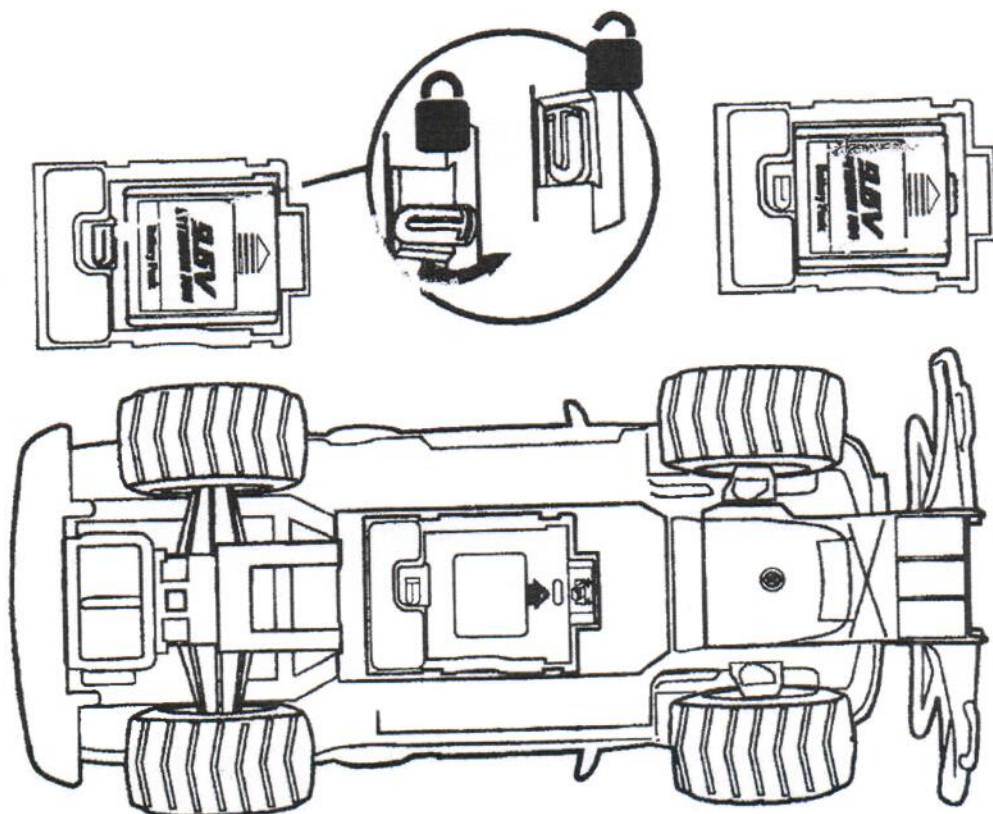
# New Bright

## Removing Battery

This vehicle is shipped with the battery pack installed in the vehicle for demonstration purposes. This battery is only partially charged and should be fully charged before use.

To remove the battery, turn the battery compartment lock 90 degrees as shown below. Then, slide battery back toward the battery compartment lock.

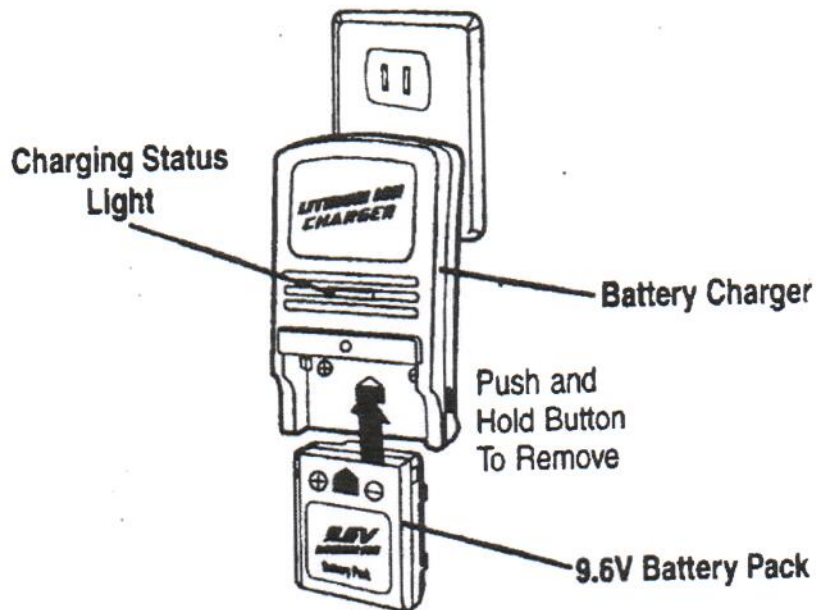
for instructions on charging the battery, see Section 4.



# Battery Charging

## IMPORTANT!

The included 9.6V Lithium Ion battery pack is only **PARTIALLY CHARGED** prior to shipment and it is recommended the battery be fully charged before first use.



1. Insert the 9.6V Lithium Ion rechargeable battery pack securely into the charger and push up to lock. Be sure the arrows are properly matched (as shown above).
2. Plug the Charger into a standard indoor electrical outlet. This power unit is intended to be correctly orientated in a vertical or wall mount position.
3. Allow battery to charge for 1-1.5 Hours. Charging Status Light will be solid red while battery is charging. When charging is complete, light will blink green.
4. To remove the battery, press and hold the release button and slide battery down to unlock.
5. Charge will last approximately 12 minutes depending on terrain and driving style.

**IMPORTANT:** It is normal for the battery pack to become warm after charging and/or use. Be sure to allow the battery pack to cool before using or recharging. Recharging a warm battery pack will greatly reduce the battery life.

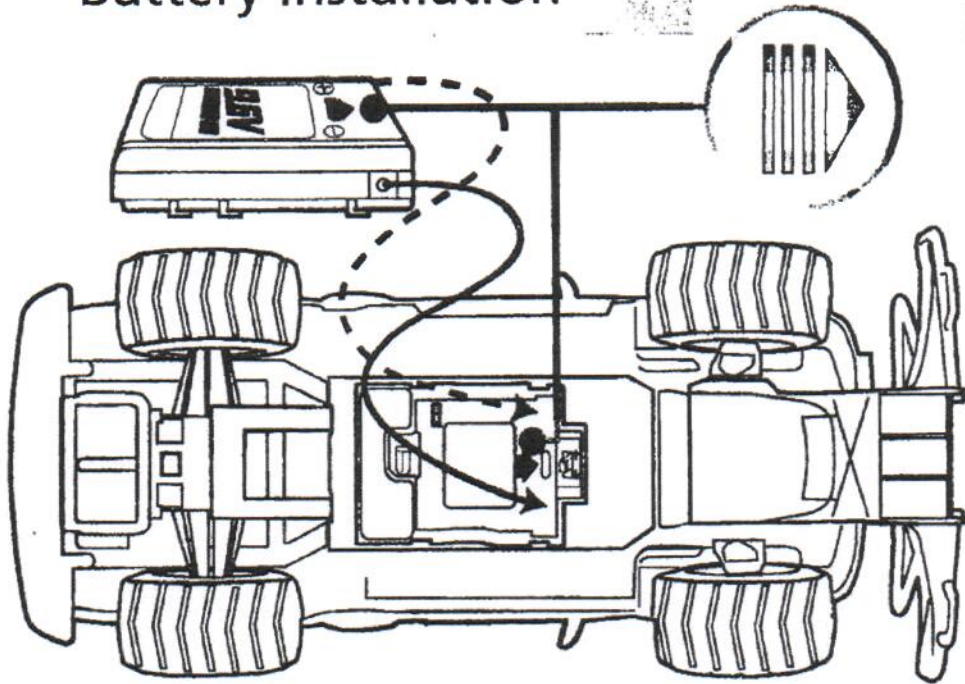
### **ATTENTION PARENTS:**

- The Battery Charger & Battery Pack need to be periodically examined for potential hazards. Any potentially hazardous parts need to be repaired or replaced.

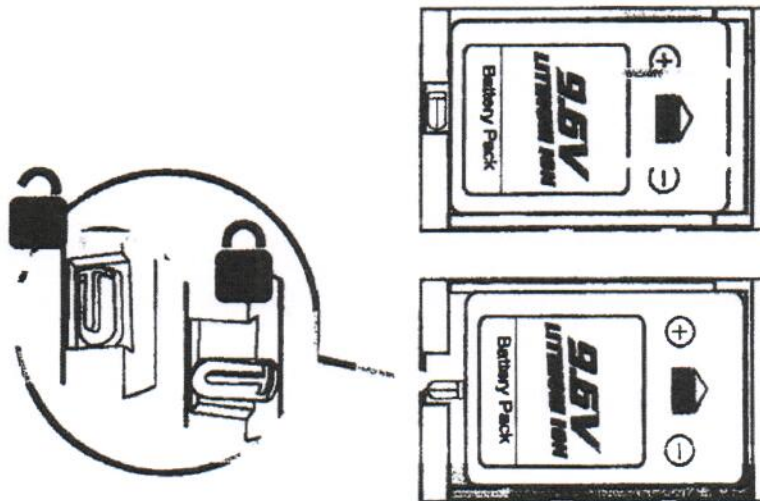


# Vehicle

## Battery Installation



Locate and align arrow on battery pack with arrow inside battery compartment. Place battery pack in battery compartment and slide battery forward in direction of arrow. Once in place, turn locking tab to keep battery pack secure.



If battery pack is not completely in place locking tab will not fully turn.

# Vehicle

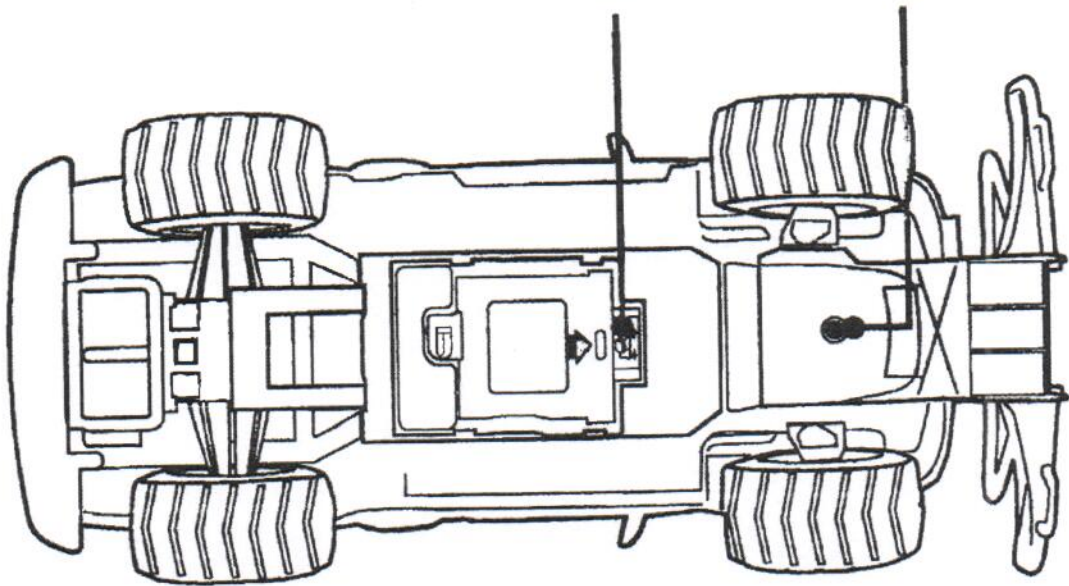
## Features and Functions



ON/OFF  
Switch



Wheel Alignment  
(Steering Trim)



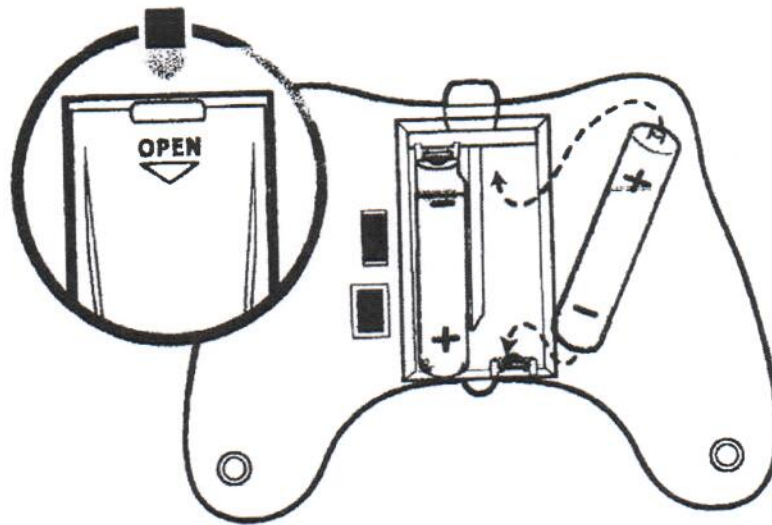
\* If vehicle pulls to the left or right during forward driving the Steering Trim may need to be adjusted. The Steering Trim is located on bottom of chassis between the front wheels.



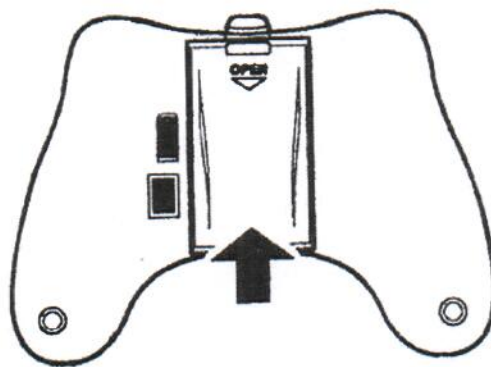
# Transmitter

## Battery Installation

Firmly press TAB in the direction of the ARROW and pull back to open battery compartment cover.



Install 2 "AA" batteries as shown, making sure (+) and (-) markings on batteries line up with the (+) and (-) markings in the battery compartment.



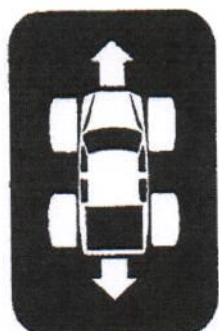
Replace battery compartment cover. Cover should click when locked in place.

**Note:** When replacing Transmitter batteries:  
Use alkaline batteries only.  
Do not mix old and new batteries.  
Do not mix alkaline, standard or rechargeable batteries.



# Transmitter

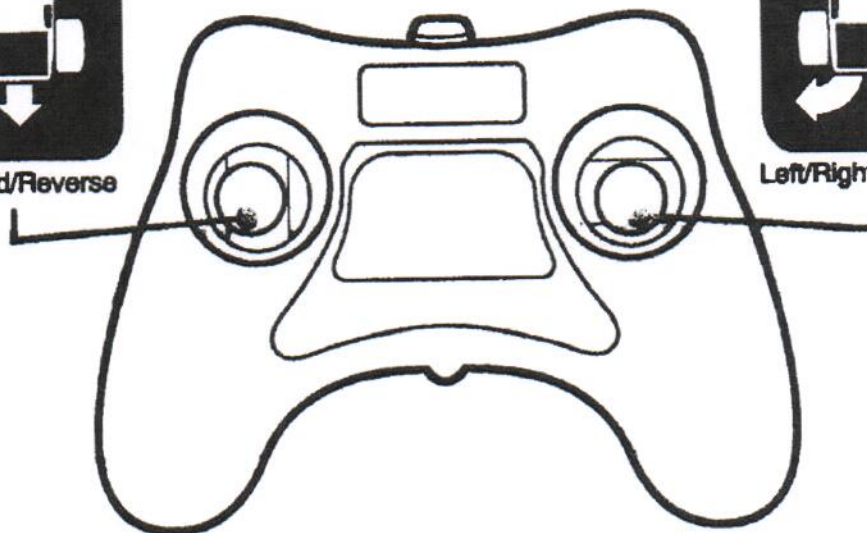
## Features and Functions



Forward/Reverse



Left/Right Steering



### Note:

Vehicle has working lights. When driving forward or reverse the lights will turn on. When stopping either in forward or reverse the lights will flash, then turn off.

This transmitter is equipped with 2.4GHz technology which allows up to 6 vehicles to be raced at the same time.

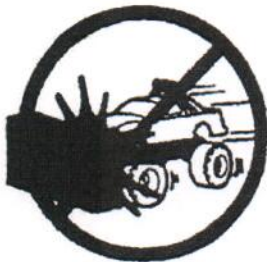
### How to pair your vehicle and transmitter

1. Properly install batteries into the transmitter. (Section 7).
2. Be certain vehicle ON/OFF Switch is in the OFF position. Properly install battery into vehicle (Section 5).
3. Keep transmitter near vehicle.
4. Switch vehicle ON/OFF Switch to ON position.
5. Vehicle and transmitter will automatically sync. Your vehicle is now ready for play.

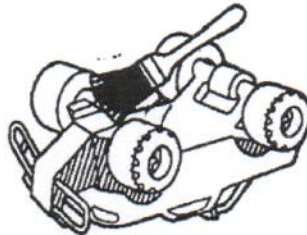
**Note:** After removing and replacing batteries in either the transmitter or vehicle, you will need to pair the vehicle and transmitter once again

# Proper Use

## Precautions and Care



Switch vehicle OFF  
when not in use.



Brush areas where  
dirt gets trapped.



Wipe body with a  
soft rag or cloth.



Do not use chemicals  
or water to clean



# Support

## Trouble shooting & Support

### Problem - Vehicle does not move or moves slowly.

- Make certain there are fresh batteries in the transmitter and that they have been installed in the correct position.
- Are the (+) and (-) markings on the batteries in the same position as the (+) and (-) markings in the Transmitter Battery Compartment?
- Has the Battery Pack been installed in the vehicle?
- Has the rechargeable Battery Pack been fully charged?
- Are the (+) and (-) markings on the Battery Pack in the same position as the (+) and (-) markings in the Battery Compartment?
- Are the metal contact tabs touching, rusty or dirty in the transmitter?
- Make certain that the vehicle ON/OFF switch is in the "ON" position.

### Problem - Vehicle moves by itself or exhibits reduced range from the transmitter.

- Make certain there is no outside radio interference in your area. The best way to test this is to take the vehicle as far away from radio towers, electrical lines or tall buildings as possible to ensure no further radio interference will occur.

### FCC CAUTION:

Changes or modifications not expressly approved by the party responsible for compliance could void the user's authority to operate the equipment.

**NOTE:** This equipment has been tested and found to comply with the limits for a Class B digital device, pursuant to Part 15 of the FCC Rules. These limits are designed to provide reasonable protection against harmful interference in a residential installation. This equipment generates, uses and can radiate radio frequency energy and, if not installed and used in accordance with the instructions, may cause harmful interference to radio communications. However, there is no guarantee that interference will not occur in a particular installation. If this equipment does cause harmful interference to radio or television reception, which can be determined by turning the equipment off and on, the user is encouraged to try to correct the interference by one or more of the following measures:

- Reorient or relocate the receiving antenna.
- Increase the separation between the equipment and receiver.
- Connect the equipment into an outlet on a circuit different from that to which the receiver is connected.
- Consult the dealer or an experienced radio/TV technician for help.

## Cautions

Do not recharge Battery Pack if it is hot or warm to the touch. Allow Battery Pack to cool before recharging. Recharging a hot or warm Battery Pack will shorten the life of the Pack.

Do not recharge a Battery Pack if it appears to be damaged or leaking.

Always unplug Charging Cradle when not in use.

Always remove Battery Pack from Battery Compartment when not in use.

Do not dispose batteries in fire. Leakage, explosion and personal injury may occur.

Dispose of Lithium-Ion Battery Pack properly.

Do not attempt to disassemble Battery Pack or Charger.

Do not use Battery Charger for any use other than instructed in this booklet.

Only an adult should charge Batteries.

Do not attempt jumps or tricks with this vehicle.