

**CAUTION-ELECTRICALLY OPERATED PRODUCT:**  
NOT RECOMMENDED FOR CHILDREN UNDER 8 YEARS OF AGE.  
AS WITH ALL ELECTRIC PRODUCTS, PRECAUTIONS SHOULD BE  
OBSERVED DURING HANDLING AND USE TO PREVENT ELECTRIC  
SHOCK. INPUT: 120V AC 60Hz 8W. OUTPUT: 13V DC 440mA.

**NEW BRIGHT**

# OWNER'S MANUAL

*Please read and understand all precautions prior to use.*

Model / Modèle No. GF21HH (Remote)  
GF120812.8V, GF12089.6V (Toy Car)

CE 1797

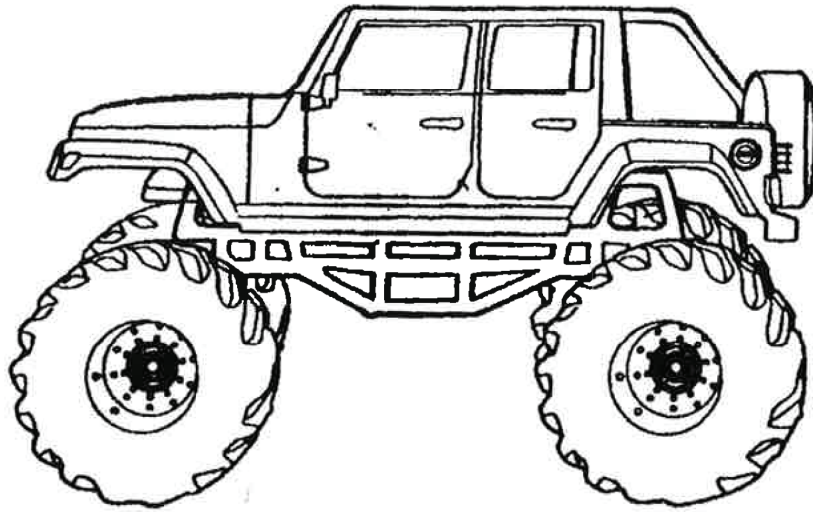
**Thank you for choosing a premium New Bright product.**

## Table of Contents

- Section 1: Table of Contents**
- Section 2: Component Checklist**
- Section 3: Vehicle Features and Functions**
- Section 4: Charging the Battery**
- Section 5: Vehicle Battery Installation**
- Section 6: Transmitter Battery Installation**
- Section 7: Transmitter Features and Functions**
- Section 8: Proper Use  
Precautions and Care**
- Section 9: Trouble Shooting and Support**
- Section 10: Cautions**
- Section 11: Warranty Information**

# New Bright

## Component Checklist



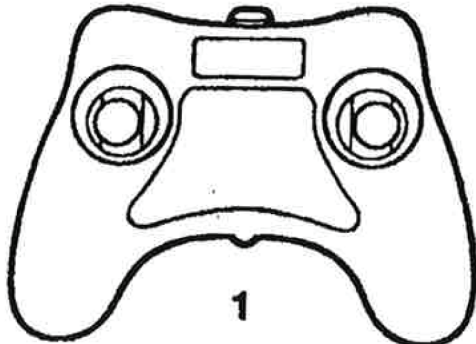
1



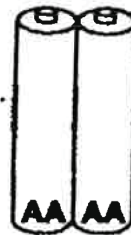
1



1



1



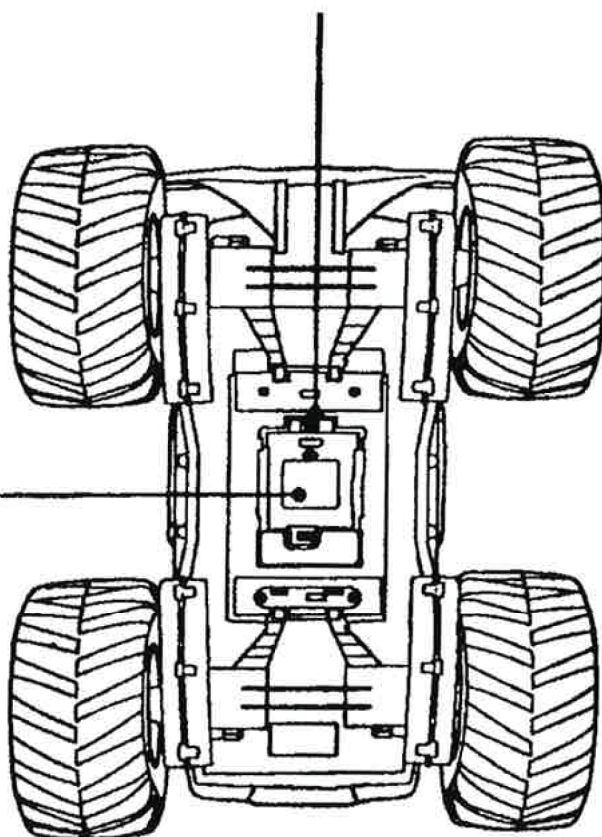
2

# Vehicle

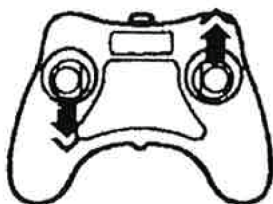
## Features and Functions



ON/OFF  
Switch



Battery Compartment



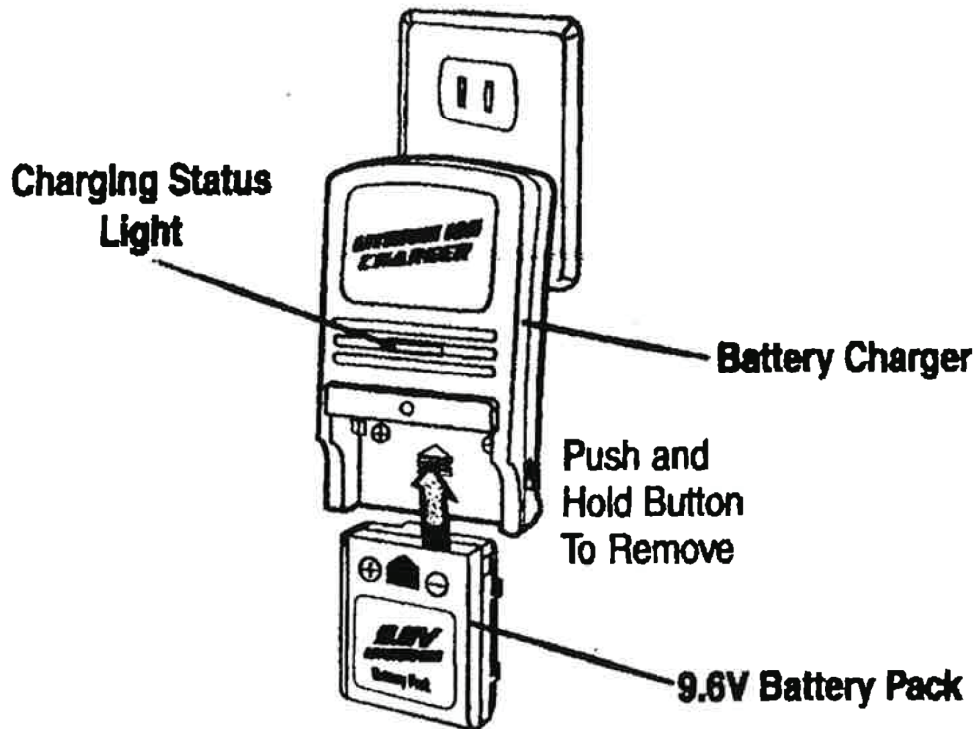
360° SPINS





# Battery

## Charging the Battery



1. Insert the 9.6V Lithium Ion rechargeable battery pack securely into the charger and push up to lock. Be sure the arrows are properly matched (as shown above).
2. Plug the Charger into a standard indoor electrical outlet. This power unit is intended to be correctly orientated in a vertical or wall mount position.
3. Allow battery to charge for 1-1.5 Hours. Charging Status Light will be solid red while battery is charging. When charging is complete, light will blink green.
4. To remove the battery, press and hold the release button and slide battery down to unlock.
5. Charge will last approximately 12 minutes depending on terrain and driving style.

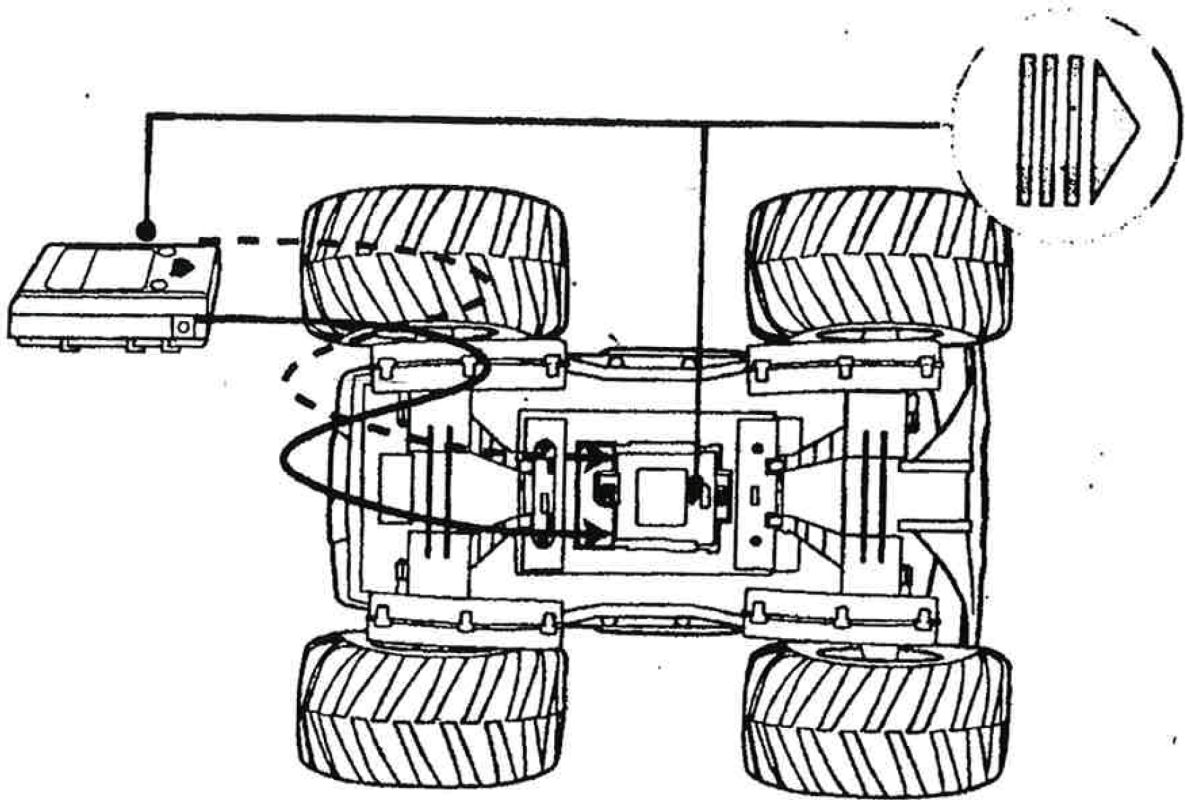
**IMPORTANT:** It is normal for the battery pack to become warm after charging and/or use. Be sure to allow the battery pack to cool before using or recharging. Recharging a warm battery pack will greatly reduce the battery life.

### **ATTENTION PARENTS:**

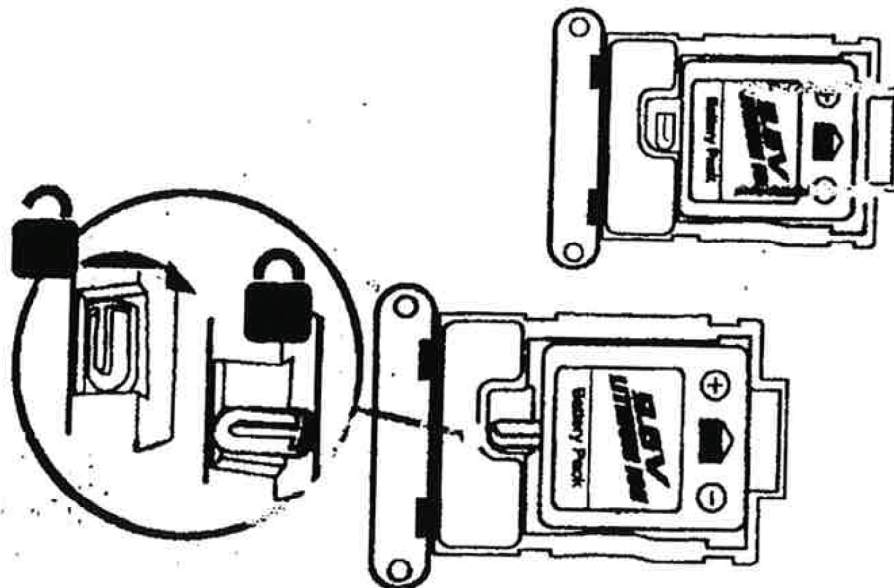
- The Battery Charger & Battery Pack need to be periodically examined for potential hazards. Any potentially hazardous parts need to be repaired or replaced.

# Vehicle

## Battery Installation



Locate and align arrow on battery pack with arrow inside battery compartment. Place battery pack in battery compartment and slide battery forward in direction of arrow. Once in place, turn locking tab to keep battery pack secure.



If battery pack is not completely in place, locking tab will not fully turn.