

**CAUTION-ELECTRICALLY OPERATED PRODUCT:**  
NOT RECOMMENDED FOR CHILDREN UNDER 8 YEARS OF AGE  
AS WITH ALL ELECTRIC PRODUCTS, PRECAUTIONS SHOULD BE  
OBSERVED DURING HANDLING AND USE TO PREVENT ELECTRIC  
SHOCK. INPUT: 120V AC 60Hz 8W. OUTPUT: 13V DC 440mA.



# **OWNER'S MANUAL**

*Please read and understand all precautions prior to use.*

**Thank you for choosing a premium New Bright product.**

L897111799/JN191-13

- Section 1: Table of Contents**
- Section 2: Component Checklist**
- Section 3: Charging the Battery**
- Section 4: Battery Installation in Vehicle**
- Section 5: Vehicle Features and Functions**
- Section 6: Antenna Placement**
- Section 7: Transmitter Features and Functions**
- Section 8: Transmitter Battery Installation**
- Section 9: Proper Use  
Precautions and Care**
- Section 10: Trouble Shooting and Support**
- Section 11: Warranty Information**

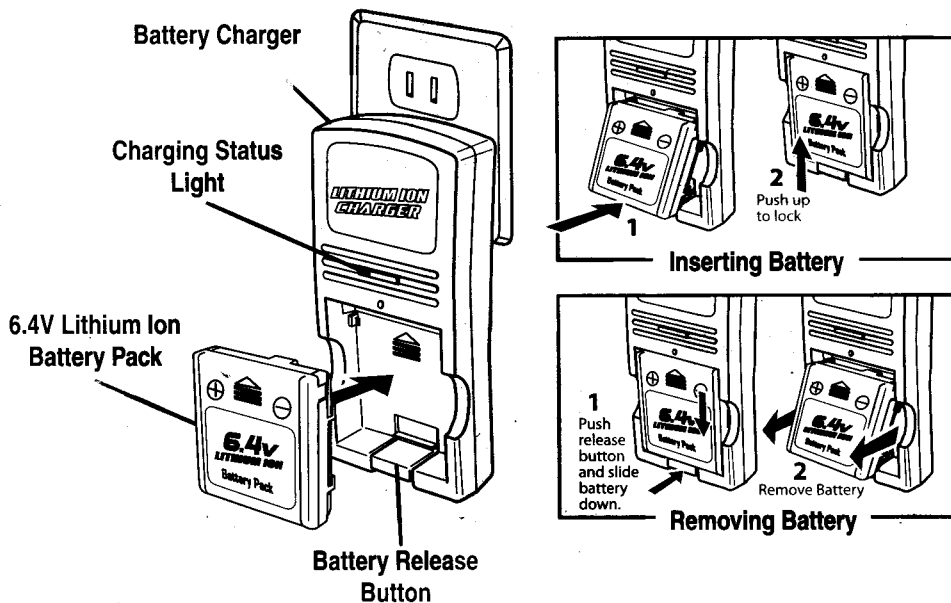
## Component Checklist

*To protect components from damage, they may be packed in the styrofoam tray out of plain sight. Please search styrofoam tray and remove all of the components shown below. Styrofoam should be saved for storing your vehicle.*

- **Vehicle**
- **Battery Charger**
- **6.4V Lithium Ion Battery Pack**
- **Transmitter**
- **(2) "AA" Batteries**
- **(2) Antenna Tubes**

# Battery Pack

## Charging the Battery



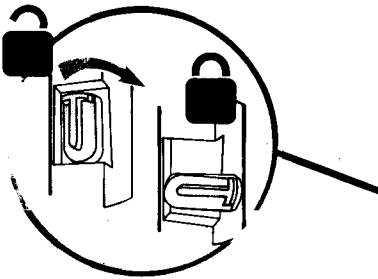
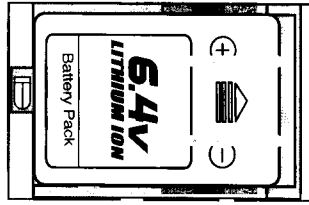
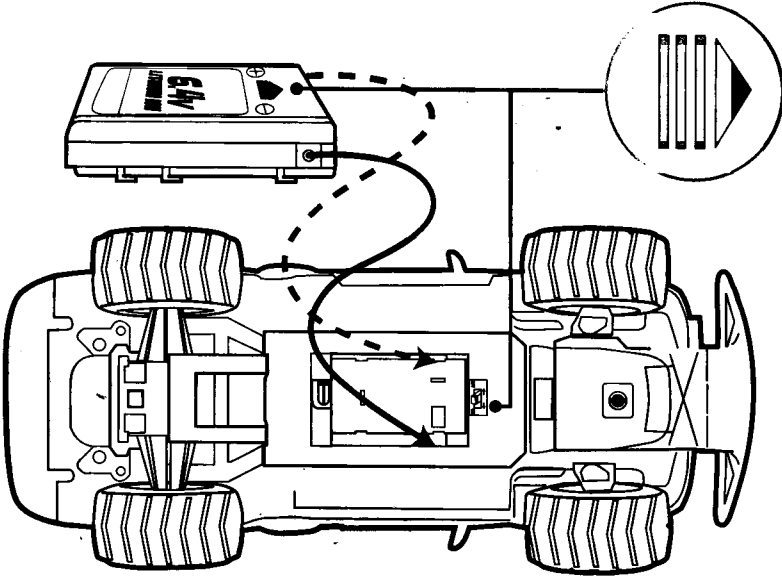
1. Insert the 6.4V Lithium Ion rechargeable battery pack securely into the charger and push up to lock. Be sure the arrows are properly matched (as shown above).
2. Plug the Charger into a standard indoor electrical outlet. This power unit is intended to be correctly orientated in a vertical or wall mount position.
3. Allow battery to charge for 1-1.5 Hours. Charging Status Light will be solid red while battery is charging. When charging is complete, light will blink green.
4. To remove the battery, press and hold the release button and slide battery down to unlock (as shown above).
5. Charge will last approximately 12 minutes depending on terrain and driving style.

**IMPORTANT:** It is normal for the battery pack to become warm after charging and/or use. Be sure to allow the battery pack to cool before using or recharging. Recharging a warm battery pack will greatly reduce the battery life.

### ATTENTION PARENTS:

- The Battery Charger & Battery Pack need to be periodically examined for potential hazards. Any potentially hazardous parts need to be repaired or replaced.

## Battery Installation



# Vehicle

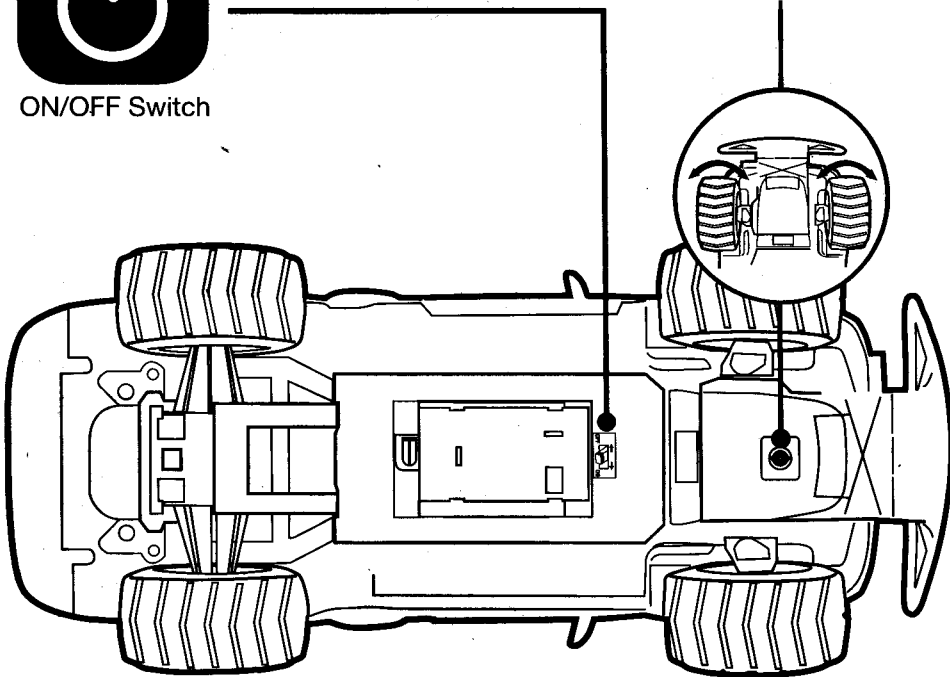
## Features and Functions



ON/OFF Switch



Steering Trim\*

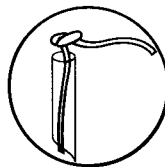
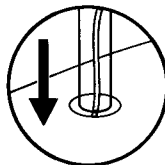
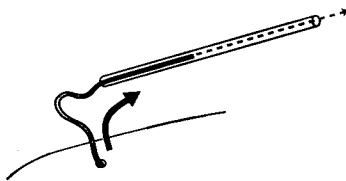


\* If vehicle pulls to the left or right during forward driving the Steering Trim may need to be adjusted. The Steering Trim is located on bottom of chassis between the front wheels.

## Vehicle and Transmitter Antenna

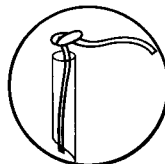
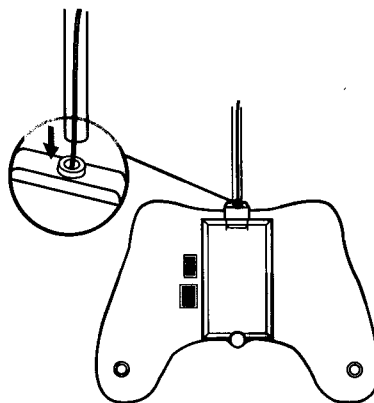
### VEHICLE

1. Locate the Vehicle Antenna Wire, which leads through an opening on the top of the Vehicle.
2. Slide the Vehicle Antenna Wire through the Vehicle Antenna Tube. Insert the tube into the opening on the top of the Vehicle.
3. Tie a simple knot in the Vehicle Antenna Wire to hold the Vehicle Antenna Tube in place.



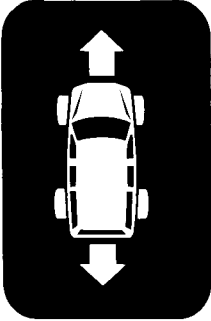
### TRANSMITTER

1. Locate the Transmitter Antenna Wire, which leads through an opening on the top of the Transmitter.
2. Slide the Transmitter Antenna Wire through the Transmitter Antenna Tube. Insert the tube into the opening on the top of the Transmitter.
3. Tie a simple knot in the Transmitter Antenna Wire to hold the Transmitter Antenna Tube in place.

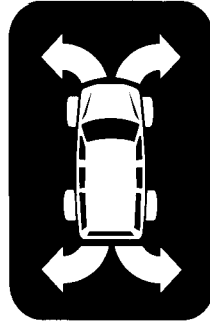


# Transmitter

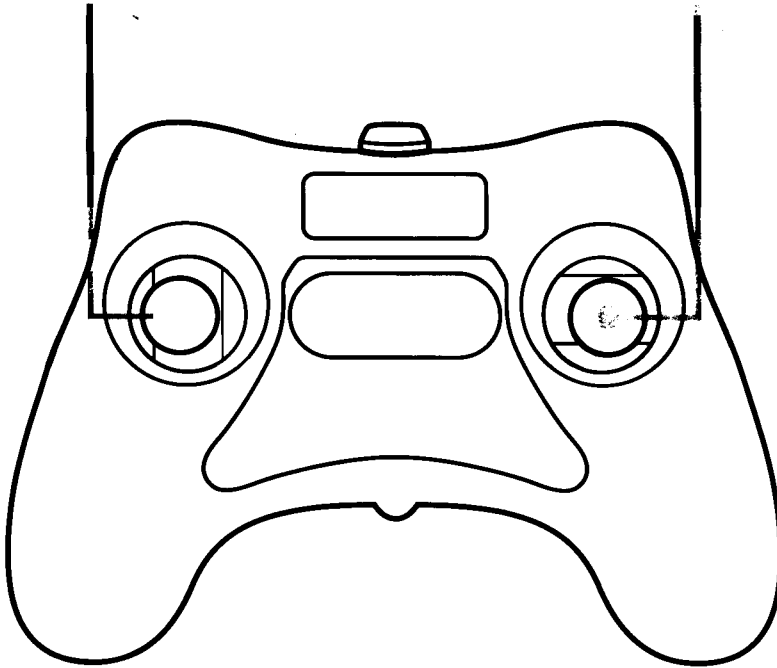
## Features and Functions



Forward/Reverse  
Drive



Left/Right  
Steering

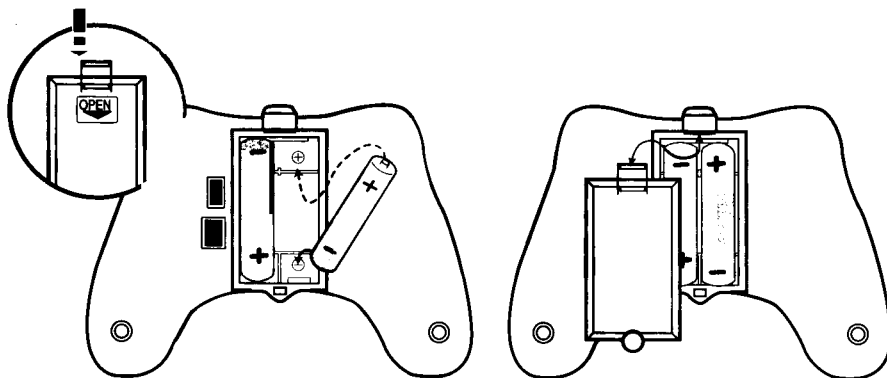


### FCC CAUTION:

Changes or modifications not expressly approved by the party responsible for compliance could void the user's authority to operate the equipment.



## Battery Installation

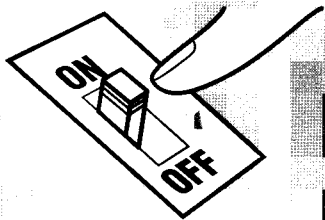
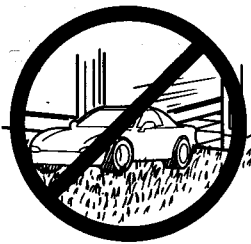
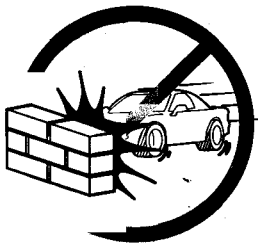


1. Locate the Transmitter Battery Compartment, which is on the back of the Transmitter.
2. Move the Battery Compartment Lock towards the Battery Compartment and remove the Battery Compartment Cover.
3. Insert 2 "AA" batteries. Make certain the plus (+) and minus (-) markings on the batteries are in the same position as the plus (+) and minus (-) markings inside the Battery Compartment.
4. Replace Battery Compartment Cover making certain that the Battery Compartment Lock has "snapped" into the locked position.

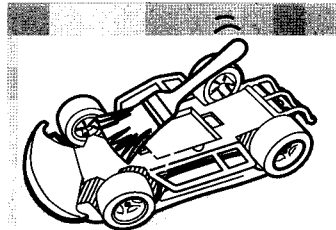
**Note:** When replacing Transmitter batteries:  
Use alkaline batteries only.  
Do not mix old and new batteries.  
Do not mix alkaline, standard or rechargeable batteries.

# Proper Use

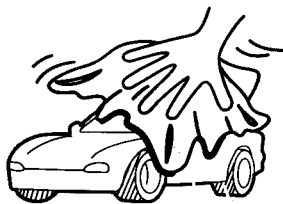
## Precautions and Care



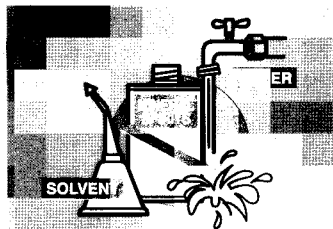
Switch vehicle OFF when not in use.



Brush areas where dirt gets trapped.



Wipe body with a soft rag or cloth.



Do not use chemicals or water to clean.

## Trouble Shooting & Support

*90% of all difficulties experienced with radio controlled vehicles*

*are due to either weak batteries or batteries that have been installed incorrectly.*

*When batteries become weak, the vehicle may not necessarily stop completely but may exhibit slow response, slow speed or erratic behavior.*

### **Problem - Vehicle does not move or moves slowly.**

- Make certain there are fresh alkaline batteries in the transmitter and that they have been installed in the correct position.
- Are the (+) and (-) markings on the alkaline batteries in the same position as the (+) and (-) markings in the Transmitter Battery Compartment?
- Has the Battery Pack been installed in the vehicle?
- Has the rechargeable Battery Pack been fully charged?
- Are the (+) and (-) markings on the Battery Pack in the same position as the (+) and (-) markings in the Battery Compartment?
- Are the metal contact tabs touching, rusty or dirty in the transmitter?
- Make certain that the vehicle ON/OFF switch is in the "ON" position.

### **Problem - Vehicle moves by itself or exhibits reduced range from the transmitter.**

- Make certain there is no outside radio interference in your area. The best way to test this is to take the vehicle as far away from radio towers, electrical lines or tall buildings as possible to ensure no further radio interference will occur.

Do not recharge Battery Pack if it is hot or warm to the touch. Allow Battery Pack to cool before recharging. Recharging a hot or warm Battery Pack will shorten the life of the Pack.

Do not recharge a Battery Pack if it appears to be damaged or leaking.

Always unplug Charger when not in use.

Always remove Battery Pack from Battery Compartment when not in use.

Do not dispose batteries in fire. Leakage, explosion and personal injury may occur.

Dispose of Rechargeable Battery Pack properly.

Do not attempt to disassemble Battery Pack or Charger.

Do not use Battery Charger for any use other than instructed in this booklet.

Only an adult should charge Batteries.

Do not attempt jumps or tricks with this vehicle.

## Warranty Information

### USA & Canada 30-Day Limited Warranty

New Bright Industries warrants to the original purchaser that this product will be free of defects in materials and workmanship for thirty (30) days from the date of purchase. In the event of such defect within the warranty period, New Bright will repair or replace the product at our sole discretion. This warranty does not cover damage resulting from unauthorized modifications, accident, misuse or abuse.

Should your item have a defect covered under this warranty, first call the toll free number listed below. Most problems can be resolved in this manner. If necessary, you will be issued a Return Authorization number (RA) and instructions on how to obtain a Product Return Form. The Product Return Form is to be used when returning a product to us (postage pre-paid and insured by the consumer).

When returning a defective product, please package the product, the Product Return Form and a copy of the dated sales receipt as proof of purchase. Be sure to mark the RA number on the Product Return Form. If the product is returned without a dated sales receipt, it will be excluded from coverage under this warranty. Please allow 4 to 6 weeks for delivery of repaired or replacement vehicles (depending on your location).

New Bright Industries' liability for defects in materials and workmanship under this warranty shall be limited to repair or replacement at our sole discretion. In no event shall we be responsible for incidental, consequential or contingent damages (except in those states that do not allow this exclusion or limitation).

### Valid only in the USA & Canada.

Contact New Bright Industries Customer Service Toll Free at:  
**1-877-NBI-TOYS**  
(1-877-624-8697)  
Monday through Friday, 8:00 AM to 5:00 PM Eastern Time

**NOTE:** This equipment has been tested and found to comply with the limits for a Class B digital device, pursuant to Part 15 of the FCC Rules. These limits are designed to provide reasonable protection against harmful interference in a residential installation. This equipment generates, uses and can radiate radio frequency energy and, if not installed and used in accordance with the instructions, may cause harmful interference to radio communications. However, there is no guarantee that interference will not occur in a particular installation. If this equipment does cause harmful interference to radio or television reception, which can be determined by turning the equipment off and on, the user is encouraged to try to correct the interference by one or more of the following measures:

- Reorient or relocate the receiving antenna.
- Increase the separation between the equipment and receiver.
- Connect the equipment into an outlet on a circuit different from that to which the receiver is connected.
- Consult the dealer or an experienced radio/TV technician for help.