

Official Licensed Product
FERRARI



The body designs of the Ferrari SpA, FERRARI, the PRANCING HORSE device, all associated logos and trademarks of Ferrari SpA. Produced under license of Ferrari SpA, FERRARI, the PRANCING HORSE device, all associated logos and trademarks of Ferrari SpA.



599 GTB FIORANO

WARNING: **CHOKING HAZARD**-Small parts Not for children under 3 years
ATTENTION: **Risque de suffocation si avalé,** contient de petites pièces détachables, non adapté aux enfants de moins de 3 ans.



599 GTB FIORANO

RADIO CONTROL **1:12 SCALE**



GB NOT SUITABLE FOR CHILDREN UNDER 3 YEARS OLD DUE TO SMALL SIZE OF COMPONENTS
F NE CONVIENT PAS A UN ENFANT DE MOINS DE 36 MOIS: PRESENCE DE PETITS ELEMENTS DETACHABLES POUVANT ETRE AVALES
I NON ADATTO A BAMBINI INFERIORI AI 3 ANNI DI ETA' PERCHE' CONTIENE PICCOLE PARTI
NL NIET GESCHIKT VOOR KINDEREN ONDER DE 3 JAAR WEGENS KLEINE ONDERDELEN
D NICHT FÜR KINDER UNTER 3 JAHREN WEGEN KLEINER BESTANDTEILE
E NO RECOMENDADO PARA NIÑOS MENORES DE 3 AÑOS DEBIDO A LOS COMPONENTES DE PEQUEÑO TAMAÑO
P NÃO RECOMENDÁVEL A CRIANÇAS COM MENOS DE 3 ANOS DEVIDO AO TAMANHO REDUZIDO DOS COMPONENTES
DK IKKE ANBEFÅLET TIL BØRN UNDER TRE ÅR PÅ GRUND AF KOMPONENTERNES LILLE STØRRELSE

GB THE PACKAGING HAS TO BE KEPT SINCE IT CONTAINS IMPORTANT INFORMATION. **GARDER L'EMBALLAGE CAR IL CONTIENT D'IMPORTANTES INFORMATIONS**
F CONSERVARE LA CONFEZIONE PER FUTURE REFERENZE.
I BEMWAAR DE VERPAKKING, WANT ZE BEVAT BELANGRIJKE INFORMATIE.
NL DIE VERPAKKING SOLLTE AUFBEWAHRT WERDEN, DA SIE WICHTIGE INFORMATION ENTHÄLT.
D GUARDE EL EMBALAJE QUE MANTIENE INFORMACION IMPORTANTE.
E A EMBALAGEM DEVE SER CONSERVADA POIS POSSUI INFORMAÇÕES IMPORTANTES
P INDPÅKNINGEN SKAL GEMMES, EFTERSOM DEN INDEHOLDER VIGTIGE OPLYSNINGER.
DK

GB MADE IN CHINA
F FABRIQUE EN CHINE
I FABBRICATO IN CINA
NL GEFABRICERD IN CHINA
D HERGESTELLT IN CHINA
E FABRICADO EN CHINA
P FABRICADO NA CHINA
DK FREMTILLET I KINA

GB THE RIGHT IS RESERVED TO IMPROVE OR AMEND SPECIFICATION & COLOR
F LE DROIT D'ÉCHANGER OU D'AMÉLIORER LES SPÉCIFICATIONS ET COULEURS EST RÉSERVÉ AU FABRICANT
I DIRITTO DI RISSERVARSI A MIGLIORARE O CAMBIARE COLORE E DESCRIZIONE DELL'ARTICOLO
NL HET RECHT IS VOORBEHOUDEN OM KLEUREN EN SPECIFICATIE TE VERBETTEREN OF TE WIJZIGEN
D DER HERSTELLER BEHALT SICH VOR, FARBE UND AUSSTATTUNG ZU VERBESSERN ODER ÄNDERN
E TODOS LOS DERECHOS ESTÁN RESERVADOS CON EL FIN DE MEJORAR O RECTIFICAR, AL IGUAL QUE LOS COLORES
P RESERVADO O DIREITO DE MELHORAR OU ALTERAR ESPECIFICAÇÕES E COR
DK VI FORBEHOLDER OS RETTEN TIL AT FORBEDRE ELLER RETTE SPECIFIKATIONER OG FARVE

ADULT ASSEMBLY REQUIRED
MONTAGE PAR UN ADULTE EST NÉCESSAIRE
ASSEMBLARE DA ADULTO È NECESSARIO
NIE MONTUJE PRZEKONANIE PRZEKONANIE
MONTAZA JEŠE SAMO ZA POMOĆI ADULTA
MONTAJA JEŠE SAMO ZA POMOĆI ADULTA
MONTAJA JEŠE SAMO ZA POMOĆI ADULTA

ARTICOLO PRODOTTO SENZA UTILIZZO DI MANODOPERA INFANTILE
ARTICLE FABRIQUE SANS UTILISATION DE MAIN D'ŒUVRE INFANTILE

CE 0678



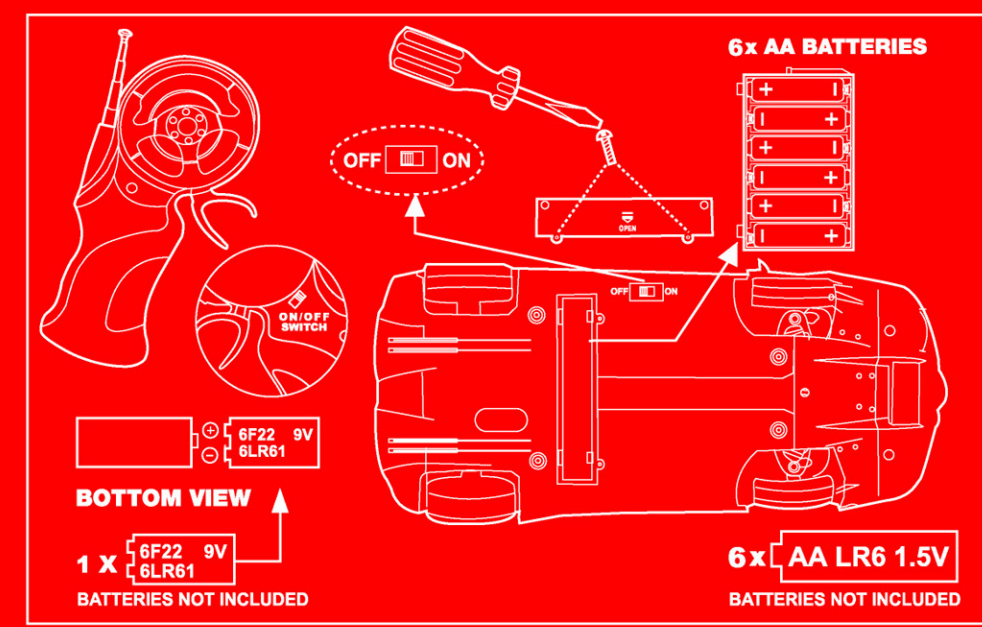
THE TOY SHOULD BE ASSEMBLED PROPERLY BY AN ADULT BEFORE USE

GB 1:12 SCALE
F ECHELLE 1:12
I SCALA 1:12
NL 1:12 SCHAAL
D MASSSTAB 1:12
E ESCALA 1:12
P À ESCALA DE 1:12
DK 1:12 SKALA

New-Ray Toys Co., Ltd.
Unit 9, 12th Floor Houston Centre
63 Moody Road, Tsimshatsui East
Kowloon, Hong Kong
www.new-ray.com

IMPORTATO DA:
New-Ray S.r.l.
Via E. Fermi 635
21042 Caronno Pertusella (VA)

New-Ray France Sarl
Zone d'activité Les Levees
38470 Vinay



Instructions for battery operated toys
1) Batteries should only be inserted or changed by an adult.
2) Switch the toys to the "off" position before inserting batteries.
3) Insert batteries correctly in the manner shown elsewhere on the toy or packaging.
4) Only use the same type of battery—do not mix brands or types.
5) Replace all batteries at the same time with new ones.
6) Do not mix old and new batteries.
7) Do not leave batteries in the toy for long periods of time when it is not in use.
8) Do not use rechargeable batteries.
9) Remove exhausted batteries from the toy.
10) Dispose of used batteries safely—do not throw on a fire or attempt to open up the outer case.
11) At all times keep small batteries which could be a choking hazard to children out of their reach.
Batteries are harmful if swallowed.
12) Seek medical advice if a small battery has been swallowed by a child.
13) Non-rechargeable batteries are not to be recharged.
14) The supply terminals are not to be short-circuited.

ANR8187923

