



MODEL: PMP-3815

2.4GHZ CORDLESS TELEPHONE

INSTALLATION AND OPERATING GUIDE

PMP-3815 TABLE OF CONTENTS

Important Safety Instructions	2	Basic Operation	17
FCC Regulations	3-4	Making Calls	17
Battery Cautionary Instructions	5	Receiving Calls	17
PMP-3815 Parts Checklist	6	Additional Options	17
Location of Controls and Features	7-11	Speed Dialing	18
Handset	7-8	Storing Phone Numbers	18
Base	9-10	Making Speed Dial Calls	18
Choosing a Location	11	Deleting a Stored Number	18
Telephone Setup	12-14	Other Features	19
Connecting the Base	12	Using the Handset Finder (PAGE)	19
Wall Mounting	13	Security Code	19
Tone/Pulse Switch	14	Channel Changing	19
Battery Installation	15	Out of Range Warning	19
Battery Duration	15	Care and Maintenance	20
When the Battery Needs Charging	15	Troubleshooting	21
When to Purchase a New Battery Pack	15	Glossary	22
Headset and Data Jack	16	Warranty	23-24
The Data Jack	16	Wall Mount Template	25
The Headset Jack	16	Battery Order Form	26
Belt-Clip	16		

IMPORTANT SAFETY INSTRUCTIONS



This symbol is to alert you to important operating or servicing instructions that may appear in the user's manual. Always follow basic safety precautions when using this product to reduce the risk of injury, fire, or electrical shock.

When using this product, basic safety precautions should always be followed to reduce the risk of fire, electric shock and injury to persons, including the following:

1. Read and understand all instructions.
2. Follow all warnings and instructions marked on the product.
3. Use only with class 2 power source DC 9V 300mA.
4. Unplug this product from the wall outlet before cleaning. Do not use liquid cleaners or aerosol cleaners. Use a damp cloth for cleaning.
5. Do not use this product near water; for example, near a bathtub, wash bowl, kitchen sink or laundry tub, in a wet basement or near a swimming pool.
6. Do not place this product on an unstable cart, stand, or table. The product may fall, causing serious damage to the product.
7. Slots and openings in the cabinet back or bottom are provided for ventilation. To protect it from overheating, these openings must not be blocked or covered. The openings should never be blocked by placing the product on the bed, sofa, rug, or other similar surface. This product should never be placed near or over a radiator or heat register. This product should not be placed in an enclosed environment unless proper ventilation is provided.
8. Do not allow anything to rest on the power cord. Do not locate this product where the cord will be abused by animals or persons walking on it.
9. Do not overload wall outlets and extension cords as this can result in risk of fire or electrical shock.
10. Never push objects of any kind into this product through cabinet slots as they may touch dangerous voltage points or short out parts that could result in a risk of fire or electrical shock. Never spill liquid of any kind on the product.
11. To reduce the risk of electrical shock, do not disassemble this product. Instead take it to a qualified service person when service or repair work is required. Opening or removing covers may expose you to dangerous voltages or other risks. Incorrect re-assembly can cause electrical shock when the appliance is subsequently used.
12. Unplug all cords and refer servicing to qualified service personnel under the following conditions:
 - A. When the power supply cord or plug is damaged or frayed.
 - B. If liquid has been spilled into the product.
 - C. If the product has been exposed to rain or water.
 - D. If the product does not operate normally by following the operating instructions. Adjust only those controls covered in the operating instructions. Improper adjustment of other controls may result in damage and require work by a qualified technician to restore the product to normal operation.
13. Avoid using a telephone (other than a cordless type) during an electrical storm. There may be a remote risk of electric shock from lightning.
14. Do not use a telephone to report a gas leak in the vicinity of the leak.

IF YOUR PRODUCT UTILIZES BATTERIES, THE FOLLOWING ADDITIONAL PRECAUTIONS SHOULD BE OBSERVED:

1. Use only the type and size of batteries specified in the users manual.
2. Do not dispose of batteries in a fire. The cells may explode. Check with local codes for possible special disposal instructions.
3. Do not open or mutilate the batteries. Released electrolyte is corrosive and may cause damage to the eyes or skin. It may be toxic if swallowed.
4. Exercise care in handling batteries in order not to short the battery with conducting materials such as rings, bracelets and keys. The battery or conductor may overheat and cause burns.
5. Do not attempt to recharge the batteries with or identified for use with this product. The batteries may leak corrosive electrolyte or explode.
6. Do not attempt to rejuvenate the batteries provided with or identified for use with this product by heating them. Sudden release of the battery electrolyte may occur causing burns or irritation to eyes or skin.
7. When replacing batteries, all batteries should be replaced at the same time. Mixing fresh and discharged batteries could increase internal cell pressure and rupture the discharged batteries.
8. When inserting the batteries into this product, the proper polarity or direction must be observed. Reverse insertion of batteries can cause charging, which may result in leakage or explosion. If a battery is installed incorrectly it may explode.
9. Remove the batteries from this product if the product will not be used for a long period of time (several months or more) since during this time the batteries could leak, damaging the product.
10. Discard "dead" batteries as soon as possible since they are more likely to leak in a product.
11. Do not store this product, or the batteries provided with or for identified use with this product, in high temperature areas.
12. If your product uses a rechargeable battery, charge the battery(ies) only in accordance with the instructions and limitation specified in the User Manual.

SAVE THESE INSTRUCTIONS

FCC REGULATIONS

Warning: Modifying or tampering with the telephone's internal components can cause a malfunction and might invalidate the telephone's warranty and void your FCC authorization to operate it. If the trouble is harming the telephone lines, the telephone company might ask you to disconnect the telephone until you have resolved the problem.

As it complies with Part 68 of the FCC rules and the technical requirements for connection to telephone networks published by ACTA, your unit has been registered with the FCC. The FCC requires us to provide you with the following information:

1. Connection and use with the nationwide telephone network:
The FCC requires that you connect to a nationwide telephone network through a modular telephone outlet which is TIA/EIA-IS-968 compliant. It is USOC jack type RJ11C.
This equipment may not be used on coin service provided by the telephone company. Connection to party lines is subject to state tariffs. Check with your local telephone company.
2. Notification to the telephone company:
FCC rules require that upon request you provide the following information to the phone company.
 - A. The line (telephone number) to which you will connect the telephone equipment, and
 - B. The Registration Number and Ringer Equivalence Number (REN). These numbers are found on the back or bottom of your telephone equipment.
The REN is useful to determine the quantity of devices you may connect to your telephondine and still have all of those devices ring when your telephone number is called. In most, but not all areas, the sum all RENs should be 5 or less. To determine the number of devices permitted in your area, contact your local telephone company.
3. Repair instructions:
If it is determined that your telephone equipment is malfunctioning, the FCC requires that it not be used and be unplugged from the modular outlet until the problem has been corrected. Repairs to this telephone equipment can be made only by the manufacturer or its authorized agents, or by others who may be authorized by the FCC. Unauthorized repairs void registration and warranty.
4. Rights of the telephone company:
If your product is causing harm to the telephone network, the telephone company may temporarily discontinue your service. If possible, they will notify you in advance. But if advance notice isn't practical, you will be notified as soon as possible. You will be given the opportunity to correct the problem, and you will be informed of your right to file a complaint with the FCC. Your telephone company may make changes in its facilities, equipment, operations or procedures that could affect the proper functioning of your telephone equipment. If such changes are planned, you will be notified in advance.
5. This product is compatible with inductively coupled hearing aids.
Note: *This applies only if this product is equipped with a corded or cordless handset.*

FCC REGULATIONS

6. Programming/testing emergency numbers:
When programming emergency numbers and/or making test calls to emergency numbers
 - A. Remain on the line and briefly explain to the dispatcher the reason for the call before hanging up.
 - B. Perform such activities in the off-peak hours, such as early morning or late evening.

INTERFERENCE INFORMATION: PART 15 OF FCC RULES

Some telephone equipment generates and uses radio frequency energy which if not properly installed, may cause interference to radio and television reception.

This unit has been tested and found to comply with the limits for a Class B computing device in accordance with the specifications in Part 15 of the FCC rules. These specifications are designed to provide reasonable protection against such interference in a residential installation. However, there is no guarantee that interference will not occur in a particular installation.

If this equipment does cause interference to radio or television reception, when it's in use, the user is encouraged to try to correct the interference by one or more of the following measures:

- A. Where it can be done safely, reorient the radio or TV receiving antenna.
- B. To the extent possible, relocate the television, radio, or other receiver with respect to the telephone equipment.
- C. If your telephone product runs on AC power, plug your product into an AC outlet that's not on the same circuit as the one used by the radio or television.

BATTERY CAUTIONARY INSTRUCTIONS

BATTERIES: CAUTION

To reduce the risk of fire or injury to persons, read and follow these instructions:

- For the cordless handset, use only 3.6V 600mAh Nickel-Metal Hydride (Ni-MH), cordless telephone battery pack (included).
- Do not dispose of the batteries in a fire. The cells may explode. Check with local codes for possible special disposal instructions.
- Do not open or mutilate the batteries. Released electrolyte is corrosive and may cause damage to the eyes or skin. It may be toxic if swallowed.
- Exercise care in handling batteries in order not to short the battery with conducting materials such as rings, bracelets, and keys. The battery or conductor may overheat and cause burns.
- Do not attempt to rejuvenate the batteries identified for use with this product by heating them. Sudden release of the battery electrolyte may occur causing burns or irritation to eyes or skin.
- When inserting batteries into this product, the proper polarity or direction must be observed. Reverse insertion of batteries can cause charging, and that may result in leakage or explosion.
- Remove the batteries from this product if the product will not be used for a long period of time (several months or more) since during this time the battery could leak in the product.
- Do not store this product, or the batteries identified for use with this product, in high temperature areas. Batteries that are stored in a freezer or refrigerator for the purpose of extending shelf life should be protected from condensation during storage and defrosting.

Batteries should be stabilized at room temperature prior to use after cold storage.

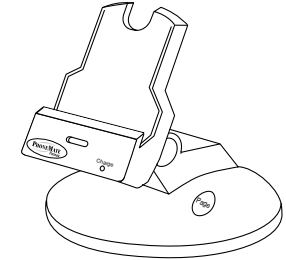


The EPA certified RBRC® Battery Recycling Seal on the nickel-metal-hydride (Ni-MH) battery indicates TT Systems LLC is voluntarily participating in an industry program to collect and recycle these batteries at the end of their useful life, when taken out of service in the United States or Canada. The RBRC® program provides a convenient alternative to placing used Ni-MH batteries into the trash or the municipal waste stream, which may be illegal in your area. Please call 1-800-8-BATTERY for information on Ni-MH battery recycling and disposal bans/restrictions in your area. TT Systems LLC's involvement in this program is part of our commitment to preserving our environment and conserving our natural resources.

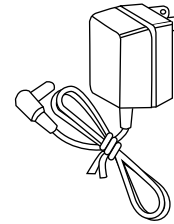
PMP-3815 PARTS CHECKLIST



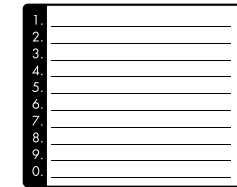
1. Handset



2. Base



3. AC power adapter



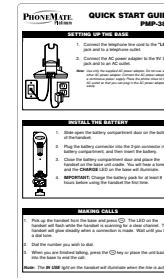
4. 10-number memory card



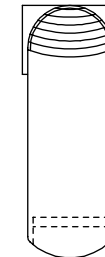
5. 7-foot line cord for desk use



6. Short line cord for wall installation



7. Quick start card

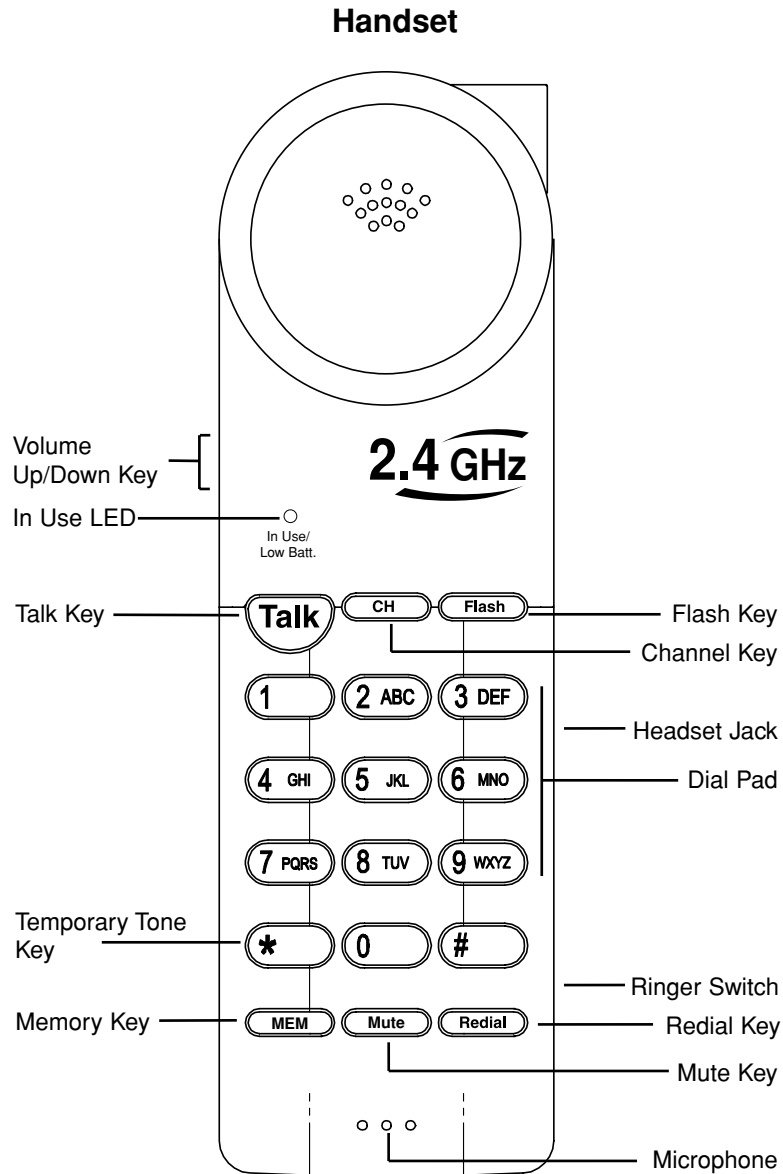


8. Belt-Clip




9. Ni-MH battery pack

LOCATION OF CONTROLS AND FEATURES





LOCATION OF CONTROLS AND FEATURES

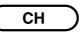
Talk

The  key is used to access the telephone line or end a call.

Redial Key

When the phone is idle or off-hook, press  to redial the last number dialed.  is also used to insert a measured pause into a number stored in the phone book.


Channel Key

The  key, if pressed when the line is off-hook, will scan up to 50 channels and select the clearest one to provide the best possible reception.

Mute Key

The  key is used to temporarily mute the handset microphone.

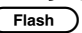
Volume Up/Down Key

The  key lets you adjust the handset receiver volume.

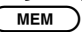
Dial Pad

Numeric keys are used in the conventional manner for dialing.


Flash Key

The  key is used to access telephone company services, such as call waiting.

Memory Key

Use  to program and retrieve the numbers in the speed dial directory.

Temporary Tone key

If the base is set to pulse dialing, pressing  causes subsequent digits to be dialed out using tone until the line is put back on hook. Also used to view the left part of the display and move the cursor left when editing.

In Use LED

On (red) when line is in use. Flashes quickly when the battery is low. Flashes steadily when the phone is muted.

Headset Jack

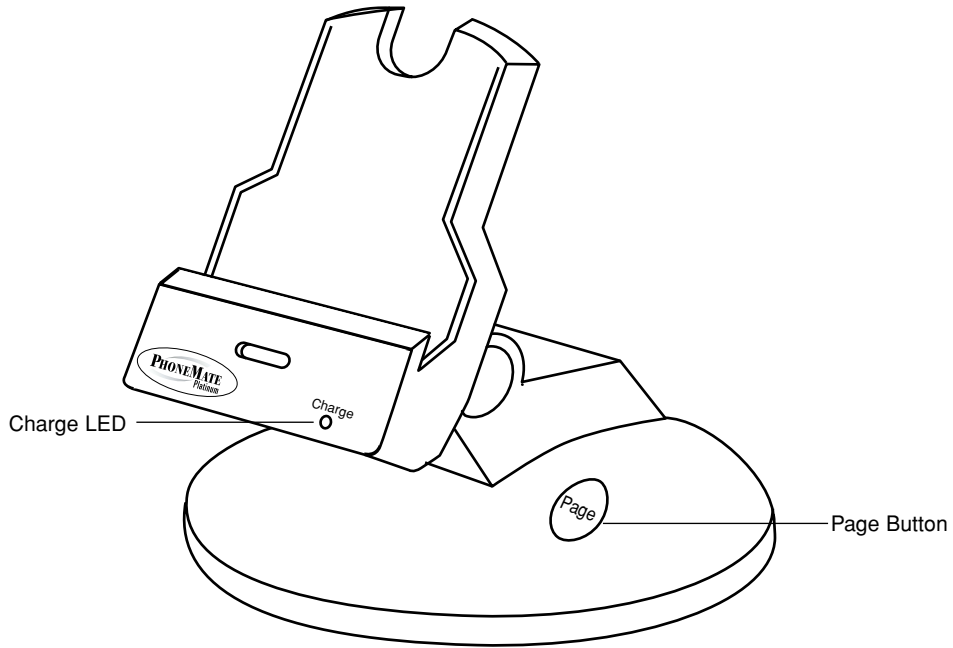
Allows using a standard 2.5mm headset (not included) for hands-free convenience.

Ringer Switch

The **RINGER** switch is used to adjust the handset ringer level between **Off**, **Low** and **Hi**.

LOCATION OF CONTROLS AND FEATURES

Base



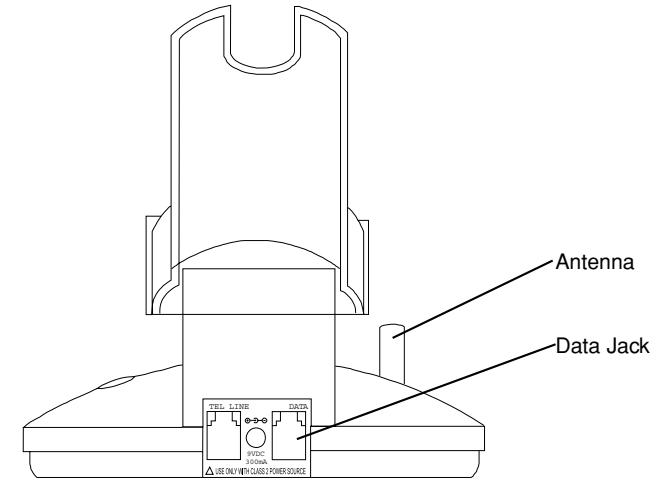
Page - Used to initiate a handset page.

Charge LED - On (red) when the handset is on the cradle being charged or when the handset is in use. Flashes if the line is in use.

Charging Contacts - Used to recharge battery and reset the security code in the handset.

LOCATION OF CONTROLS AND FEATURES

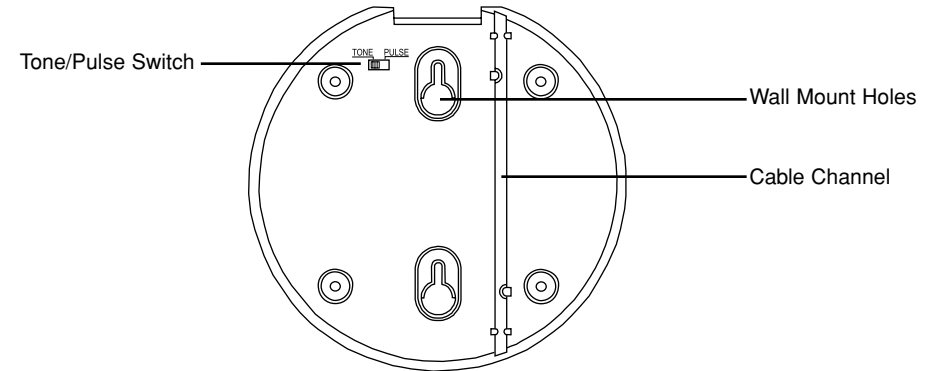
Base Back View



Data Jack

Used for connecting a computer or fax machine.

Base Bottom View



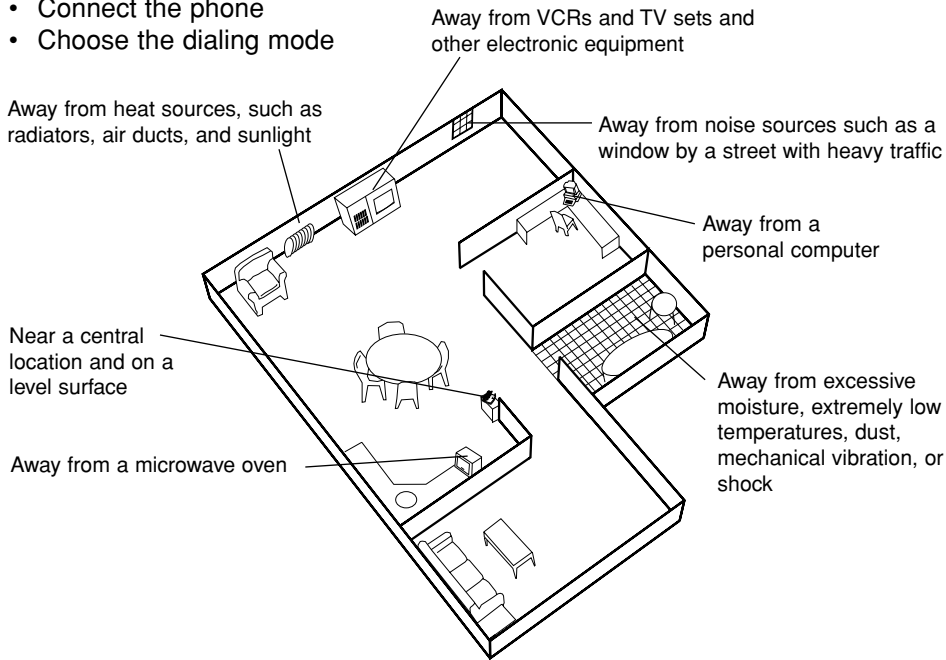
Tone/Pulse Switch

Used to set the dialing method for tone or pulse dialing.

CHOOSING A LOCATION

Do the following:

- Choose the best location
- Connect the phone
- Choose the dialing mode



Where you place the phone affects the reception quality of the handset:

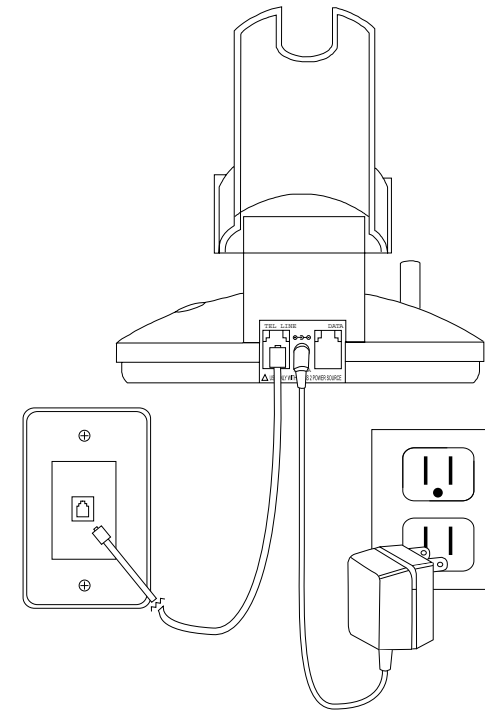
- Away from another cordless telephone
- Place the base near an AC electrical outlet and near telephone line jack
- Place the base away from metal walls and metal file cabinets

CAUTION: The cordless telephone operates at a frequency that may cause interference to nearby TVs and VCRs; the base phone should not be placed near, or on top of a TV or VCR. If interference is experienced, moving the cordless telephone farther away from the TV or VCR will often reduce or eliminate the interference.

Note: While the 2.4GHz frequency is inherently clearer, we suggest that you do not use this phone within 20 feet of a working microwave. The microwave produces frequencies in this range which may cause interference. This interference is normal for all 2.4GHz phones and should not be considered a product defect.

TELEPHONE SETUP

Connecting the Base



1. Connect the telephone line cord to the "**TEL LINE**" jack and to a telephone outlet.
2. Connect the AC power adapter to the 9V DC jack and to an AC outlet.

Note: Use only the supplied AC power adapter. Do not use any other AC power adapter. Connect the AC power adapter to a continuous power supply. Place the phone close to the AC outlet so that you can plug in the AC power adapter easily.

Tip: If your telephone outlet is not modular, contact your telephone company for assistance.

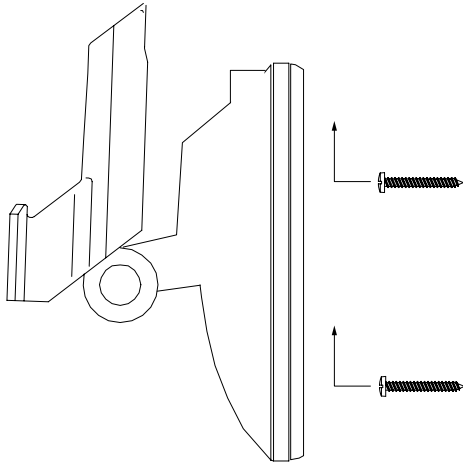
TELEPHONE SETUP

Wall Mounting

The PMP-3815 telephone may be installed onto two screws (not included) fastened into the wall. When installing screws into plasterboard walls, use wall anchors (not included) to ensure that the screws remain secure. Insert the screws into the wall leaving 3/16" of each screw extending out from the wall. See the wall mount template on page 25 to properly space the screws in the wall for mounting. The PMP-3815 is not compatible with mounting on a standard telephone wall plate.

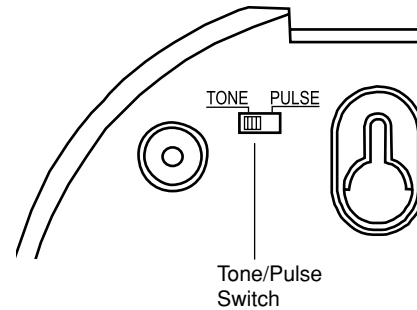
Wall Mounting Instructions:

1. Remove the handset from the base.
2. Turn the base over so the underside of the base faces you.
3. Adjust the base to the wall mount position.
4. Plug the supplied 7-foot telephone cord into the **LINE** jack on the telephone.
5. Connect the telephone line cord to the wall jack.
6. Insert the AC adapter into the **9V DC** jack on the top of the base.
7. Run the cables down through the cable channel to allow for flush wall mounting.
8. Slip the telephone base onto the wall, lining up the wall mounting holes over the screws. Slide the telephone base down so it is firmly in place.
9. Return the handset to the telephone base.
10. Plug the other end of the AC adapter into the AC outlet.



TELEPHONE SETUP

Tone/Pulse Switch



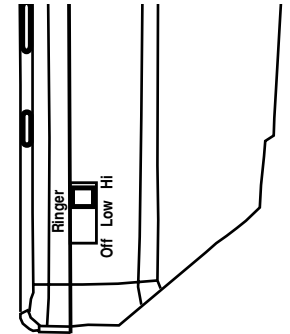
1. Choose the correct dialing mode.
2. Select the dialing mode Tone or Pulse by setting the switch at the back of the base unit (may require use of a pen, pencil, or other small device to move the switch).

Note: Changes to the switch position during a call do not take effect until the call has ended.

Tip: If you are unsure of the proper dialing mode, make a trial call with the dial mode setting to **TONE**. If the call connects, leave the switch as is (**TONE** mode), otherwise, set to **PULSE**.

Handset Ringer Volume

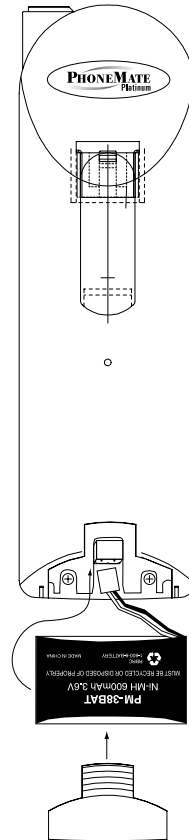
Adjust the handset ringer volume using the **RINGER** switch on the right side of the handset. Select between **Hi** ringer, **Low** ringer, and ringer **Off**.



BATTERY INSTALLATION

To install the 3.6V 600mAh cordless handset battery pack:

1. Slide open the battery compartment door on the back of the handset.
2. Plug the battery connector into the 2-pin connector in the battery compartment, and then insert the battery.
3. Close the battery compartment door.
4. Place the handset on the base unit cradle.
5. Once you have installed the battery pack and placed the handset on the base you will hear a tone indicating the handset has connected with the base and will successfully charge.
6. **IMPORTANT:** Charge the battery pack for at least 12 hours before using the handset the first time.
7. The **CHARGE** LED on the base illuminates when the handset is properly making contact with the charge terminals.



Battery Duration

A fully charged battery lasts for approximately:

- 7 hours when you use the handset continuously (talk time).
- 6 days when the handset is not in use (standby).

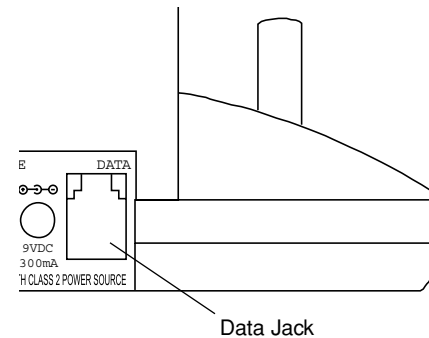
When the Battery Needs Charging

- The handset will beep.
- The **In Use/Low Batt.** LED will flash.

When to Purchase a New Battery Pack

If the battery lasts only a few minutes even after a full charge, the usable life of the battery has expired and needs to be replaced. Replacement batteries can be purchased directly from <https://www.ttsystems.com/ShoppingCart/shoponline2.asp>, or you can contact TT Systems LLC customer support center at 1-800-592-1336 for information about how to order a new battery.

HEADSET AND DATA JACK



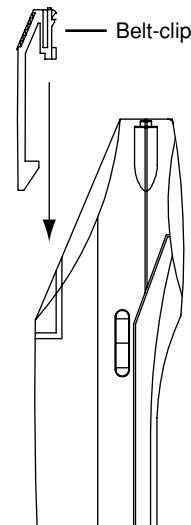
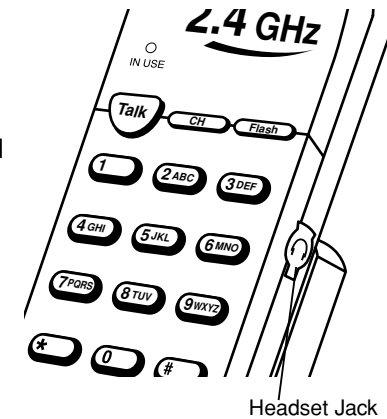
The Data Jack

The jack located on the side of the telephone labeled "DATA" is a convenience jack. It is useful for connecting a fax machine or modem when there is no telephone jack available for that device.

The Headset Jack

The headset jack is located on the side of the handset and is a standard 2.5mm plug. Simply plug the headset (not included) into the jack and the headset will be active.

Note: When the headset is plugged into the telephone, the microphone and earpiece on the handset are not active.



Belt-Clip

Be sure to remove the belt-clip filler cap prior to installing the belt-clip. Install the belt-clip as shown.

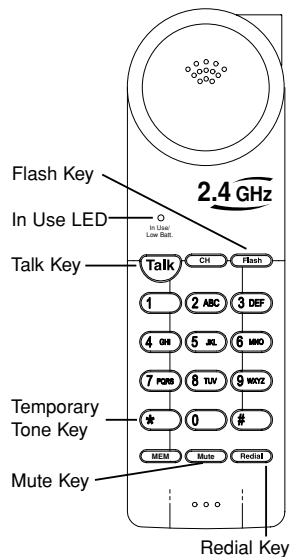
To remove the belt-clip, squeeze the release at the top of the clip where it attaches to the phone, and gently pull the clip up and out of the handset.

BASIC OPERATION

Making Calls

1. Pick up the handset from the base and press **Talk**. The LED on the handset will flash while the handset is scanning for a clear channel. The handset will glow steadily when a connection is made. Wait until you hear a dial tone.
2. Dial the number you wish to dial.
3. When you are finished talking, press the **Talk** key or place the unit back into the base to end the call.

Note: The **IN USE** light on the handset will illuminate when the line is active.



Receiving Calls

When you hear the phone ring:

1. If the handset is in the base, lift the handset from the base. The handset will turn on. There is no need to push the **Talk** key if the unit is on the base when the call comes in.
2. If the handset is off the base, you will need to press **Talk** to answer the call.
3. When you are finished, push **Talk** or place the handset back on the base.

Additional Options

To:	Do This:
Redial the last number	Press Talk . Wait for dial tone and then press REDIAL .
Adjust the volume in the earpiece	Press ▲ ▼ during a call until the desired volume level is reached.
Switch to temporary tone dialing	Press the * key after the phone is in use. The phone will remain in tone dialing mode for the duration of the call.
Receive a call waiting call	Press Flash to go to the new caller. Press Flash again to go back to the original caller.
Mute a call	Press the Mute key. Press Mute to continue speaking to the caller.

SPEED DIALING

The PMP-3815 will store up to 10 speed dial numbers.

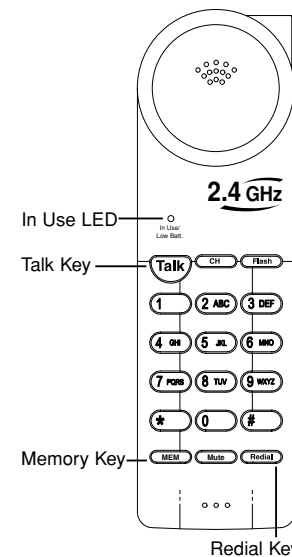
Storing Phone Numbers

1. With the handset in the idle state, press **MEM**. The handset will beep.
2. Dial the number you wish to store (up to 16 digits).

Note: Press **REDIAL**/PAUSE to insert a dialing pause into the number. The pause lasts for 4 seconds and uses one digit of the 16 digits available.

3. Press **MEM**.
4. Press the dial pad key for the location where you wish to store the number. The handset will give a confirmation tone.

Note: If you make a mistake the handset will give three quick beeps to let you know that the number was not stored.



Making Speed Dial Calls


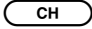
1. Push **Talk**. The LED on the handset will flash while the handset is scanning for a clear channel. The handset In Use LED will glow steadily when a connection is made. Wait until you hear a dial tone.
2. Press **MEM** and the dial pad key location where the number is stored.
3. When you are finished with your call, press **Talk**, or place the handset back on the base.

Note: Be sure to check that the line is not in use by another extension.

Deleting a Stored Number

1. With the handset in the idle state, press **MEM**. The handset will beep.
2. Press **REDIAL** and then press **MEM**. After each press the phone will beep.
3. Press the dial pad key location where the stored number that you want to delete is located. The handset will give a confirmation tone.

Using the Handset Finder (PAGE)

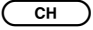
1. Press  on the base. If the handset is within range, a triple beep will sound for 20 seconds.
2. Place the handset back into the base or press the  key on the handset, or press any other handset key twice, to stop the page/find feature.

Security Code

The security code prevents your cordless telephone conversation from being accessed by a phone on a different line. Once the handset battery is fully charged, the handset will automatically select the code from a total of over 65,000 combinations. The code is changed every time the handset is placed in the cradle (indicated by a beep).

If you experience difficulty with placing or receiving calls, a lost security code may be the cause of the problem. When this occurs, the handset can no longer communicate with the base. Reset by placing the handset on the base for 5-10 seconds. If that does not work, unplug the AC adapter from the wall outlet. Disconnect the handset battery for 5-10 seconds and then reconnect. Place the handset back on the base and then replug the AC adapter.

Channel Changing

If you are experiencing interference during a telephone call, press the  key. The PMP-3815 will scan up to 50 channels and select the clearest one to provide the best possible reception.

Out of Range Warning

If the handset is moving too far away from the base, the phone will sound a triple beep every two seconds to warn you that it is out of range. Move closer to the base to end the beeping and maintain the connection on your phone call. Otherwise, the call may be disconnected.

Your PMP-3815 telephone has been designed to give years of trouble-free service. It is a sensitive electronic instrument. To assure its longevity, please read the following maintenance instructions.

1. Keep the PMP-3815 away from heat as high temperatures can shorten the life of the electrical components and distort or melt its plastic parts.
2. The PMP-3815 should be kept free of dust and moisture. If it gets wet, wipe it dry immediately. Liquids can contain minerals that can corrode electronic circuits.
3. Handle your PMP-3815 gently and carefully. Dropping it can cause serious damage to circuitry, or the plastic case, which may result in malfunction.
4. Do not use any type of chemical or any abrasive powder to clean the cabinet. Use only mild detergents on a soft, damp cloth to clean the PMP-3815 telephone.
5. The PMP-3815 has built-in surge protection circuits that meet or exceed FCC requirements. However, an incident such as a lightning strike at or near the telephone lines, could cause serious damage.
6. If the PMP-3815 is installed in an area with frequent or severe electrical storms, it is suggested that the telephone be disconnected during these storms or that additional surge suppression equipment be added to the installation.
7. In the case of trouble with the telephone, do not attempt to repair the telephone yourself. It is the responsibility of users requiring service to report the need for service to our Service Department. They will make the necessary arrangements for repair or replacement.
8. If you should have any questions about the operation of your PMP-3815 telephone, please call our Service Department at **1-800-592-1336**. Or you may contact TT Systems LLC for technical assistance via our Internet Web site: **www.ttsystems.com** or e-mail: **tech@ttsystems.com**.
9. Please register your product online at **www.ttsystems.com/CustomerSupport/RegOnline.asp**

TROUBLESHOOTING

No dial tone/phone will not dial out.

- Check that the AC power adapter is plugged into a working AC power outlet.
- Check all telephone cord connections or try another wall jack.
- Do a basic reset of the phone: Disconnect the phone from the wall and remove the battery. Leave for 30 minutes and then re-install as instructed by the manual.

Can't hear the ring signal.

- Check the ringer volume controls; verify that the switch is not set to "Off."

While on a call, you hear another call on the line or experience radio frequency interference.

- Switch channels to a clear channel.
- Check the wiring for bad connections.
- Do not use this phone within 20 feet of a working microwave. The microwave produces frequencies in this range which may cause interference. This interference is normal for all 2.4GHz phones and should not be considered a product defect.

Can't receive or make phone calls.

- Check if the phone is set to the correct type of service, either Tone or Pulse.

GLOSSARY

Useful Features and Terms

PBX (Private Branch Exchange) – A small, central, privately owned, switching telephone system where a digit (like "9") must be dialed first in order to access an outside line

Data/FAX Port — Allows connection of a PC or FAX machine directly into the phone versus a wall outlet.

Flash — A signal sent by the phone to the local telephone company supporting services such as call waiting.

New Calls Indicator — A visual indicator that new calls have been received.

Redial — Performs single button dialing of last number dialed.

Ringer Level Control — Permits adjustment of the ringer volume level.

Speed Dialing — Allows programming of frequently dialed numbers so that they can be dialed with the two touch speed dial button (10 entries).

Tone/Pulse Option — Enables you to switch from pulse (rotary) to tone dialing

Volume Level Control — Permits volume adjustment of the handset and headset during a conversation.

TT Systems One Year Limited Warranty within the United States**1. What does the limited warranty cover?**

TT Systems LLC warrants that the PMP-3815 sold by TT Systems within the continental limits of the United States, Hawaii and Alaska are free from defects in materials and workmanship under normal use for one year. This warranty is only applicable to the original purchaser of the PMP-3815, when accompanied by a sales receipt stating the date of the purchase and the name of the company from which it was purchased. This warranty is in lieu of and excludes all other warranties, expressed or implied, including any implied warranty of merchantability or fitness, and of any other obligation on the part of TT Systems.

2. What will TT Systems do when I send in my unit?

At our discretion, repair or replace the PMP-3815.

3. How do I send my unit, in or out of warranty?

- Properly pack your unit. Include any cables and accessories that were originally provided with the product. We recommend using the original carton and packing materials.
- Include in the package a copy of the sales receipt or other evidence of date of original purchase (if the unit was purchased within the last year).
- Print your name, address and phone number, along with a description of the problem, and include this in the package.
- Include payment for any service or repair not covered by the warranty, as determined by TT Systems. Contact a customer service representative at 1-800-592-1336 or tech@ttsystems.com to find out what payment is necessary.
- Ship the unit via UPS insured or equivalent to:

**TT Systems LLC
4 Executive Plaza
Yonkers NY 10701**

- If you have not received your returned unit within 3-4 weeks, you may call 1-914-968-2100 regarding the status of your return.

4. What doesn't the warranty cover?

- Damage from misuse, neglect, or acts of nature (lightning, floods, power surges, etc).
- Products that may have been repaired or altered by persons not expressly approved by TT Systems.
- Products purchased outside the USA.
- Products purchased more than 12 months from the current date.
- Products which are not accompanied by a valid proof of purchase.

5. The legal information:

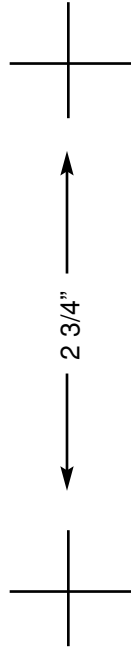
- There is no informal dispute settlement mechanism available.
- This warranty gives you specific legal rights, and you may also have other rights, which vary from state to state.

- Some states do not allow limitations on how long an implied warranty lasts and/or do not allow the exclusions or limitations of incidental or consequential damages, so the above limitations or exclusions may not apply to you.
- TT Systems shall not be liable for any special or consequential damages or for loss or expense directly or indirectly arising from use of the products or in inability to use them either separately or in combination with other equipment or product accessories or from any other cause.
- TT Systems reserves the right to make changes in the design of the PMP-3815 and to make additions or improvements to the PMP-3815 without incurring any obligation to modify any PMP-3815 previously sold.

WALL MOUNT TEMPLATE

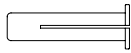
Place this template on the wall. The location of the screws is indicated by the centers of the crossed lines.

Fasten the screws leaving 3/16" of the screw extending from the wall.



Remove This Page to Mark Wall

Screws needed for wall mounting:



Expansion Anchor



#6 or #8 Pan Head Self Tapping Screw

ORDER FORM



<p>To order a replacement battery pack for the PMP-3815 cordless telephone, please mail this order form to the licensee for this product.</p> <p>TT SYSTEMS LLC 7 Odell Plaza Yonkers, NY 10701</p> <p>PM-38BAT Battery Packs are \$14.95 each</p> <p>Please enclose a check or money order made out to TT SYSTEM LLC for the respective amount. Shipping and handling is included in the price.</p> <p>Please ship order to:</p> <p>Name: _____ Company: _____ Address: _____ City: _____ State: _____ Zip: _____</p>	<p>(This is your mailing label)</p> <p>From:</p> <p>TT SYSTEMS LLC 7 Odell Plaza Yonkers, NY 10701</p> <p>To:</p> <p>_____ _____ _____ _____ _____</p>
---	---