

NEWMEN

Wireless Optical Mouse



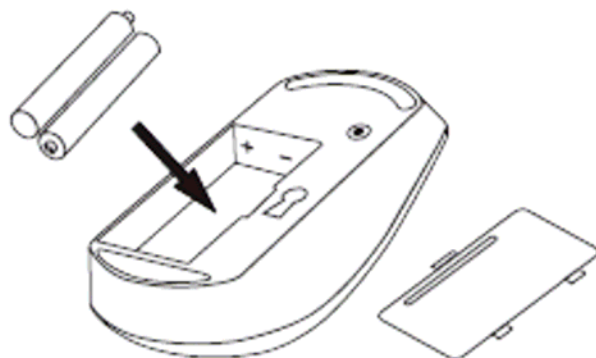
MS-0690R NEWMEN

User's manual

Battery Installation

Open the bottom cap by press the clip. Put two AA (1.2 V) batteries according to its polarity. Then, put back the bottom cap aiming at and along with the waist of the mouse.

Status – working status. While moving the mouse, the flashing LED means receiving function is normal.



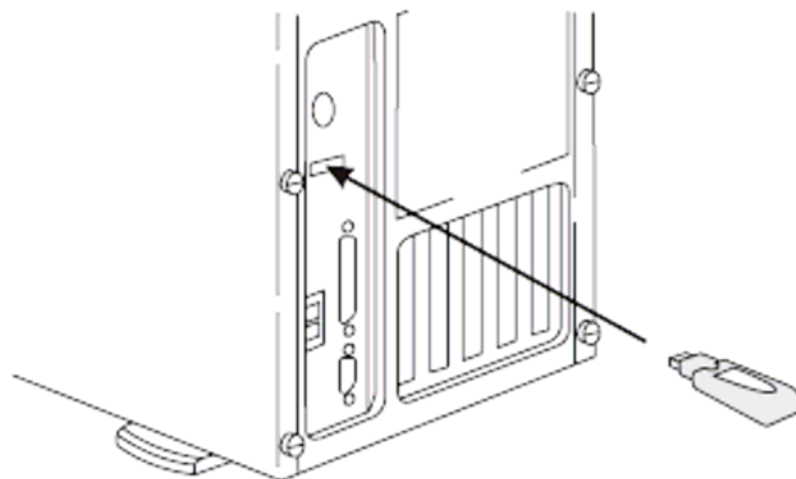
Hardware Installation

Shut down the power of the computer.

Do not connect or disconnect this device to USB port when PC is powered on, otherwise will damage the computer.

Connect the USB connector of the receiver to USB port on the computer.

Turn the computer on.



Driver Installation

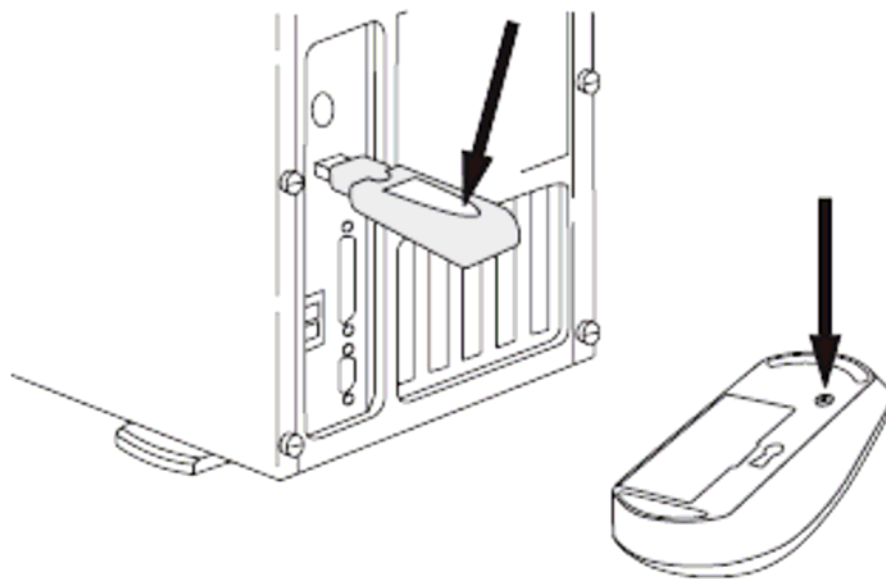
Insert driver-disc into drive. Get into "execution" on window screen. Click twice on the file of "setup.exe" In CD-drive of driver-disc to precede setup and follow the steps indicated in the screen to complete the procedure, then restart the computer.

Caution! Some computers in Windows 98 will require inserting Windows 98 Installation CD to finish the installation of driver.

Setup Up for Use (ID Setup)

Aim the front point of the mouse at receiver. Press the button of the bottom of the mouse, then press the connect button on the receiver. Never do the contrary way.

When it's completed, the green light will begin flashing.



Caution! When there is more than one unit this product in a same place, the next one must wait 30 seconds to do setup after the previous one has completed his setup. This product has offering not over 256 users of 27 MHz RF product in the same place.

Setting up your Mouse

After you have installed the receiver, you are ready to place the mouse on your desktop. Because the mouse use radio technology, placement of you mouse is not critical, giving you considerable freedom of movement and a more enjoyable computing experience.

For optimal performance, place the stand at least eight inches or 20 centimeters away from the mouse or other electrical devices, such as the computer or monitor, or external drive.

Do not put the mouse and receiver on metal cabinet or metal desk. It's better not having metal or interference source around, which may affect the RF communication and shorten the communication distance.

The optical sensor of the mouse won't work correctly while it is on a mirror, glass, reflecting, half-tone painted surface and 3D mouse pad.

Troubleshooting

Try one or more of the following

- For the optimal performance, place the receiver at least 20 centimeters away from the mouse and other electrical devices, such as the computer, the computer monitor, or external drive.
- Make sure you have installed the batteries correctly.
- If you are working on a metallic surface, try using a mouse pad and turning the receiver on its side for better reception.
- Press the connect button on the bottom of mouse, then press the connect button on the receiver.

Mouse not detected

When the mouse, it may not be detected by the computer. To remedy this problem try the following:

- Make sure the receiver is correctly plugged into the USB port.
- Make sure your USB port has the proper configuration. Refer to your computer documentation for the correct USB port configuration.

Warning:

Changes or modifications to this unit not expressly approved by the party responsible for compliance will void the user's authority to operate the equipment. Any change to the equipment will void FCC grant.

This equipment has been tested and found to comply with the limits for a Class B digital device, pursuant to part 15 of the FCC Rules. These limits are designed to provide reasonable protection against harmful interference in a residential installation. This equipment generates, uses and can radiate radio frequency energy and, if not installed and used in accordance with the instructions, may cause harmful interference to radio communications.

However, there is no guarantee that interference will not occur in a particular installation. If this equipment does cause harmful interference to radio or television reception, which can be determined by turning the equipment off and on, the user is encouraged to try to correct the interference by one or more of the following measures:

- Reorient or relocate the receiving antenna.
- Increase the separation between the equipment and receiver.
- Connect the equipment into an outlet on a circuit different from that to which the receiver is connected.
- Consult the dealer or an experienced radio/TV technician for help.

All other devices shall bear the following statement in a conspicuous location on the device:

This device complies with part 15 of the FCC Rules. Operation is subject to the following two conditions: (1) This device may not cause harmful

interference, and (2) this device must accept any interference received, including interference that may cause undesired operation.