

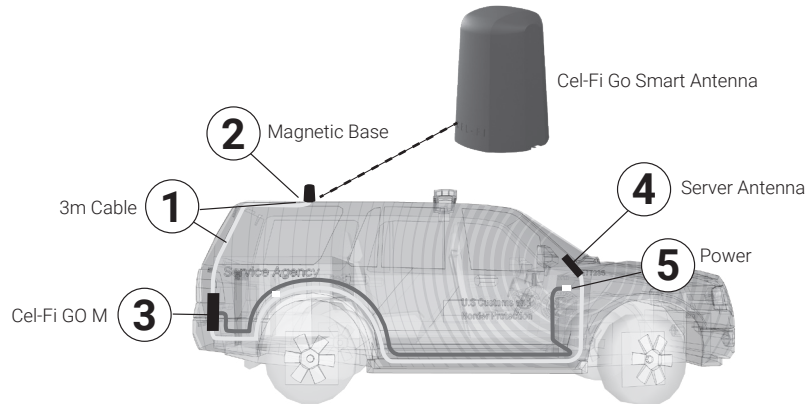


CEL-FI GO SMART ANTENNA

QUICK START GUIDE

A41-V32-100

Cel-Fi GO Smart Antenna is a high-gain, low-profile, magnetic-mounted wideband cellular antenna designed for mobile use on vehicles with the Cel-Fi GO Smart Signal Booster.



Instructions:

- 1 Place the Cel-Fi GO Smart Antenna in the desired location on the vehicle.
The Cel-Fi Go Smart Antenna comes with a 3m cable. The cable will connect the Cel-Fi GO to the Smart Antenna. Make sure the Cel-Fi GO is within cable reach.
- 2 The magnetic base of the Cel-Fi GO Smart Antenna will stick to any ferrous metal. It will not stick to aluminum. The antenna needs to be installed on a metallic surface area (ground plane) of about 30 x 30mm. A vehicle's roof will typically serve this purpose well.
NOTE: For best results, install the Cel-Fi GO Smart Antenna and Server Antennas with as much **physical space** between them as possible. This will allow the system to configure to maximum gain without oscillation or feedback.
- 3 If the Cel-Fi GO needs to be installed, follow the instructions that were included with the Cel-Fi GO unit.
- 4 Make sure to connect the Cel-Fi GO Smart Antenna to the Cel-Fi GO unit's **Donor** port. The Cel-Fi GO is clearly marked with icons for a **Donor** Antenna Port and a **Server** Antenna Port. The product will not function if connected in any other manner.
NOTE: Use the supplied cable for best results, but any cable can be substituted as long as the loss remains <2 dB from the Cel-Fi GO Smart Antenna to the Cel-Fi GO M unit.
Connect the Cel-Fi GO to the power supply.

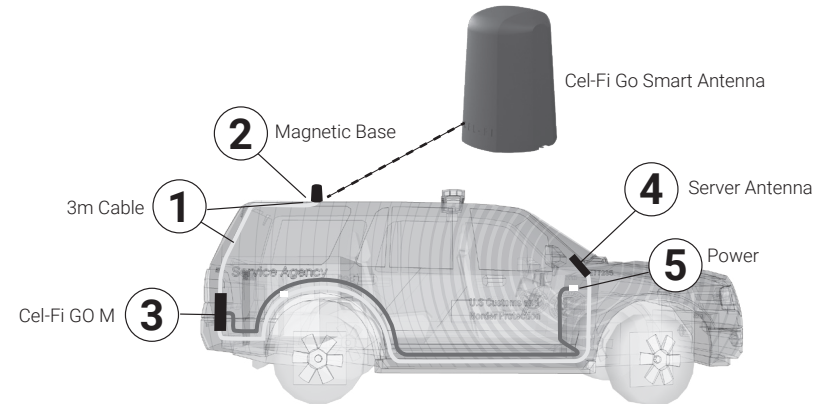


CEL-FI GO SMART ANTENNA

QUICK START GUIDE

A41-V32-100

Cel-Fi GO Smart Antenna is a high-gain, low-profile, magnetic-mounted wideband cellular antenna designed for mobile use on vehicles with the Cel-Fi GO Smart Signal Booster.



Instructions:

- 1 Place the Cel-Fi GO Smart Antenna in the desired location on the vehicle.
The Cel-Fi Go Smart Antenna comes with a 3m cable. The cable will connect the Cel-Fi GO to the Smart Antenna. Make sure the Cel-Fi GO is within cable reach.
- 2 The magnetic base of the Cel-Fi GO Smart Antenna will stick to any ferrous metal. It will not stick to aluminum. The antenna needs to be installed on a metallic surface area (ground plane) of about 30 x 30mm. A vehicle's roof will typically serve this purpose well.
NOTE: For best results, install the Cel-Fi GO Smart Antenna and Server Antennas with as much **physical space** between them as possible. This will allow the system to configure to maximum gain without oscillation or feedback.
- 3 If the Cel-Fi GO needs to be installed, follow the instructions that were included with the Cel-Fi GO unit.
- 4 Make sure to connect the Cel-Fi GO Smart Antenna to the Cel-Fi GO unit's **Donor** port. The Cel-Fi GO is clearly marked with icons for a **Donor** Antenna Port and a **Server** Antenna Port. The product will not function if connected in any other manner.
NOTE: Use the supplied cable for best results, but any cable can be substituted as long as the loss remains <2 dB from the Cel-Fi GO Smart Antenna to the Cel-Fi GO M unit.
Connect the Cel-Fi GO to the power supply.

- 6** Open the Cel-Fi WAVE app and follow the instructions for pairing a Cel-Fi GO Smart Antenna with a Cel-Fi GO M.

NOTE: The Smart Antenna's serial number can be found on the label on the bottom of the unit.

Cel-Fi WAVE is available on both smartphones and tablets from the following app stores.



Antenna Specifications:

ITEM	SPECIFICATION
Frequency (MHz)	698 – 2700
Dimensions (mm)	120 x 180
VSWR	3:1
Gain:	698 - 960 MHz // 5 dBi
Gain:	> 1 GHz // 6 dBi
Impedance (Ohm)	50
Polarization	Vertical
Radiation pattern	Omni-directional (effective)
Connector type	SMA-M
Ground plane	Dependent
Mounting Type	Magnetic
Radome	ASA UV Stable
Color	Black
Operating Temp	-20C - 55C
IP	66

Copyright © 2018 by Nextivity, Inc. All rights reserved. The Nextivity and Cel-Fi logos are registered trademarks of Nextivity Inc. All other trademarks or registered trademarks listed belong to their respective owners. qsg-antenna-go-active-eng_18-0316



420N007-A41-001-10RA

- 6** Open the Cel-Fi WAVE app and follow the instructions for pairing a Cel-Fi GO Smart Antenna with a Cel-Fi GO M.

NOTE: The Smart Antenna's serial number can be found on the label on the bottom of the unit.

Cel-Fi WAVE is available on both smartphones and tablets from the following app stores.



Antenna Specifications:

ITEM	SPECIFICATION
Frequency (MHz)	698 – 2700
Dimensions (mm)	120 x 180
VSWR	3:1
Gain:	698 - 960 MHz // 5 dBi
Gain:	> 1 GHz // 6 dBi
Impedance (Ohm)	50
Polarization	Vertical
Radiation pattern	Omni-directional (effective)
Connector type	SMA-M
Ground plane	Dependent
Mounting Type	Magnetic
Radome	ASA UV Stable
Color	Black
Operating Temp	-20C - 55C
IP	66

Copyright © 2018 by Nextivity, Inc. All rights reserved. The Nextivity and Cel-Fi logos are registered trademarks of Nextivity Inc. All other trademarks or registered trademarks listed belong to their respective owners. qsg-antenna-go-active-eng_18-0316



420N007-A41-001-10RA