

REV.	ECO No.	APPROVED	NAME	SIGNATURE
A	First release			



	NAME	SIGNATURE	DATE	DESCRIPTION:	
Product Manager				<p align="center"> FINAL ASSEMBLY AMR UNIT ELEC METER CENTRON </p>	
R&D Manager					
Testing					
Manufacturing Eng.	Shay Aharon				
QA					
Engineering	Shay Aharon				
	SH	OF		DRAW No.	REV.

	1			DC00017-001	A
--	---	--	--	-------------	---



	DRAW NO.: DC00017-001		
	DESCRIPTION: FINAL ASSEMBLY AMR UNIT ELEC METER CENTRON	REV B	SH. _2_ OF _9_

Table of Contents

<u>Mechanical Assembly Description</u>	1
<u>Pcb</u>	1
<u>Display</u>	1
<u>Main Board With Display</u>	1
<u>Labels Assemble & Rev / Ver Label</u>	1
<u>Main Board With The Meter</u>	1
<u>Power Supply Connector</u>	1
<u>First Cover</u>	1
<u>ID Labels & Rev / Ver Label</u>	1
<u>Last cover</u>	1


	DRAW NO.: DC00017-001		
	DESCRIPTION: FINAL ASSEMBLY AMR UNIT ELEC METER CENTRON	REV B	SH. <u> 3 </u> OF <u> 9 </u>

Mechanical Assembly Description

FCC Warning

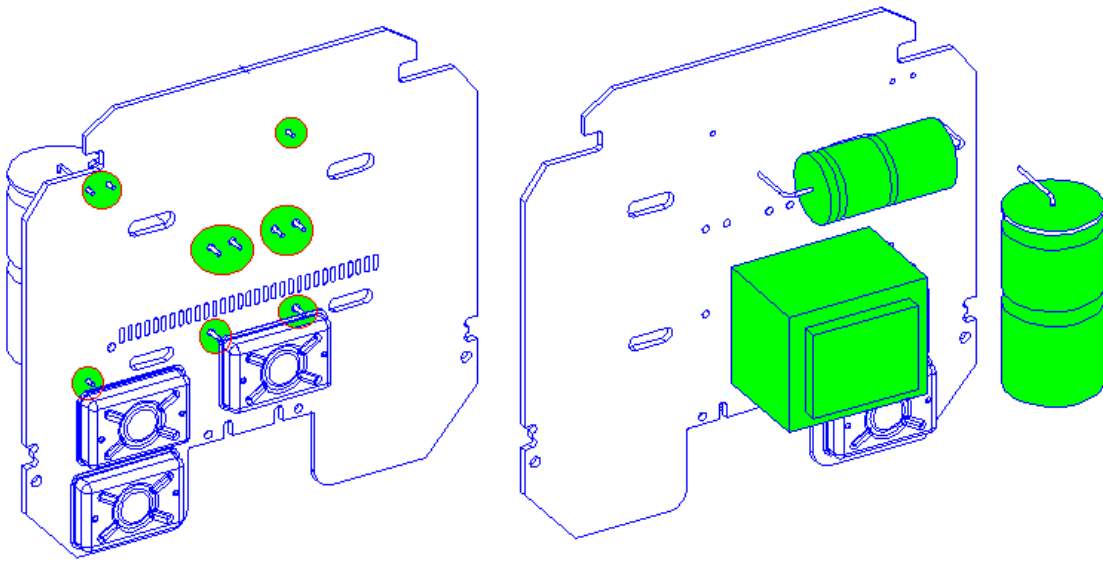
Modifications not expressly approved by the manufacturer could void the user authority to operate the equipment under FCC Rules.


In order to comply with FCC RF Exposure requirements, the AMR unit must be installed in such a way that there is a 20 c”m separation distance between it and all persons during normal operation.

	DRAW NO.: DC00017-001		
	DESCRIPTION: FINAL ASSEMBLY AMR UNIT ELEC METER CENTRON	REV B	SH. _4_ OF _9_

Pcb

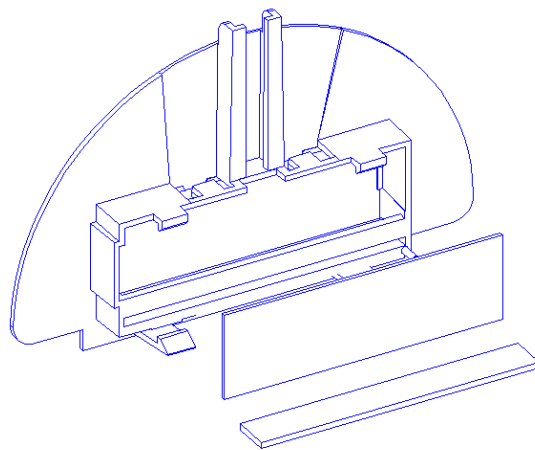
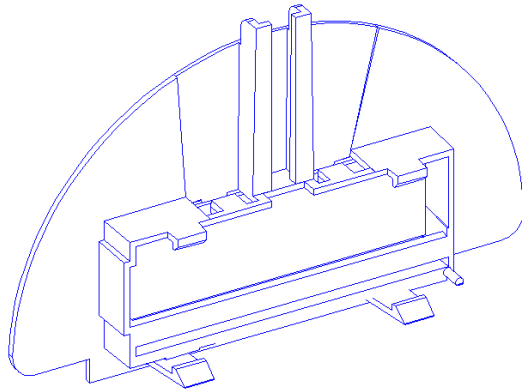
Solder the **capacitors** and transformer to the **main-board** at 10 soldering pads.




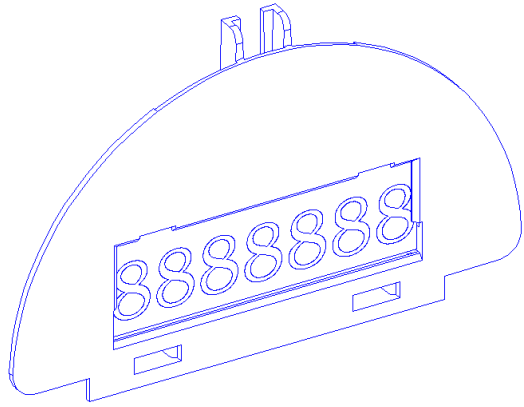
	DRAW NO.: DC00017-001		
	DESCRIPTION: FINAL ASSEMBLY AMR UNIT ELEC METER CENTRON	REV B	SH. _5_ OF _9_


Display

Build the display and use with the **holder plastic**, **lcd** and **zebra strip**.



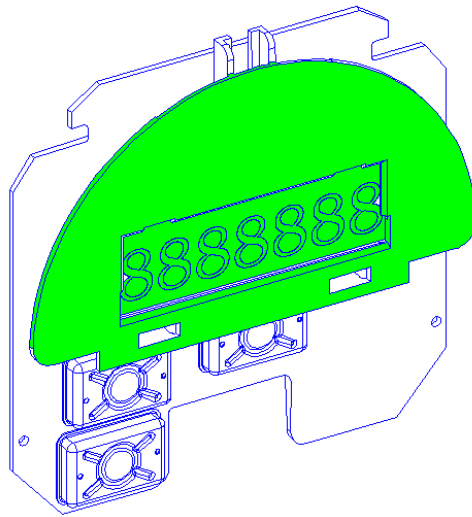
	DRAW NO.: DC00017-001		
	DESCRIPTION: FINAL ASSEMBLY AMR UNIT ELEC METER CENTRON	REV B	SH. _6_ OF _9_



	DRAW NO.: DC00017-001		
	DESCRIPTION: FINAL ASSEMBLY AMR UNIT ELEC METER CENTRON	REV B	SH. _7_ OF _9_

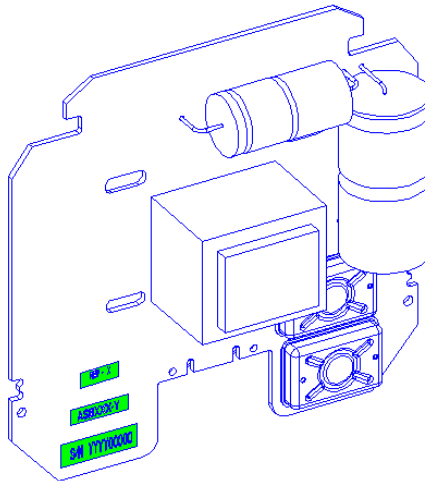
Main Board With Display


Assemble the **display** on the **main board**.



Labels Assemble & Rev / Ver Label

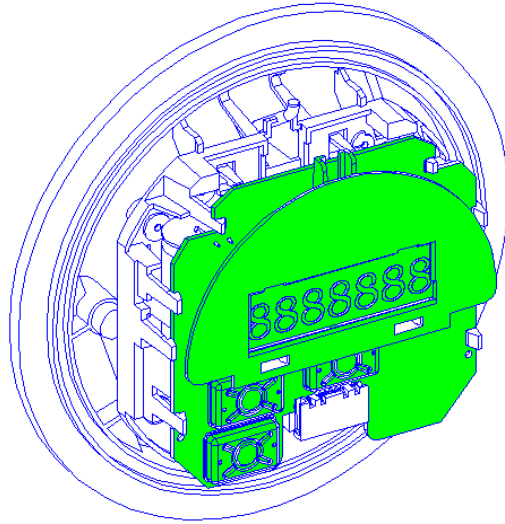
Place **Assembly, Rev / Ver and serial number labels** on the main board.



	DRAW NO.: DC00017-001		
	DESCRIPTION: FINAL ASSEMBLY AMR UNIT ELEC METER CENTRON	REV B	SH. _8_OF_9_

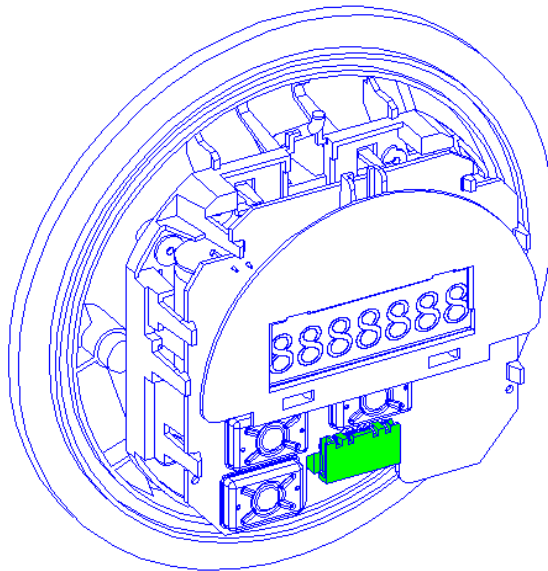
Main Board With The Meter


Assemble the **main board** on the **meter** hold it with the 4 clips.



Power Supply Connector

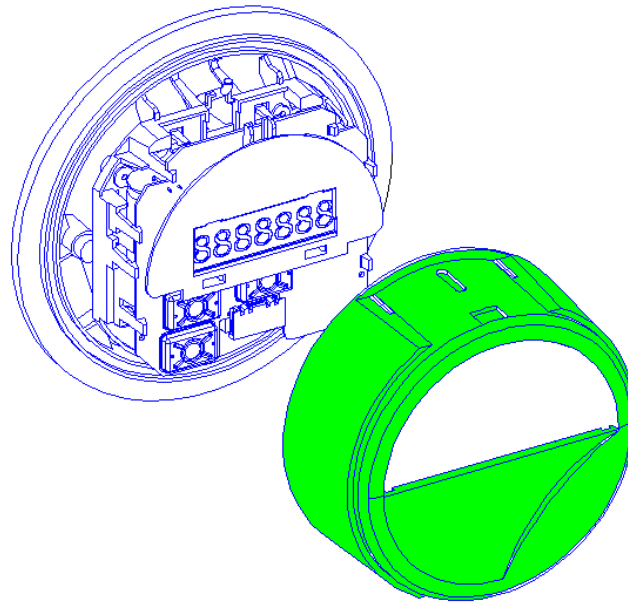
Assemble the **connector** from the meter to **main board**.



	DRAW NO.: DC00017-001		
	DESCRIPTION: FINAL ASSEMBLY AMR UNIT ELEC METER CENTRON	REV B	SH. _9_ OF _9_

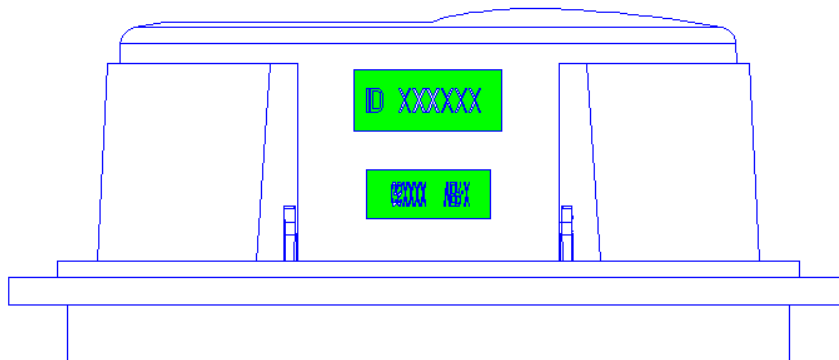
First Cover


Place the **cover** on the top of meter.



ID Labels & Rev / Ver Label

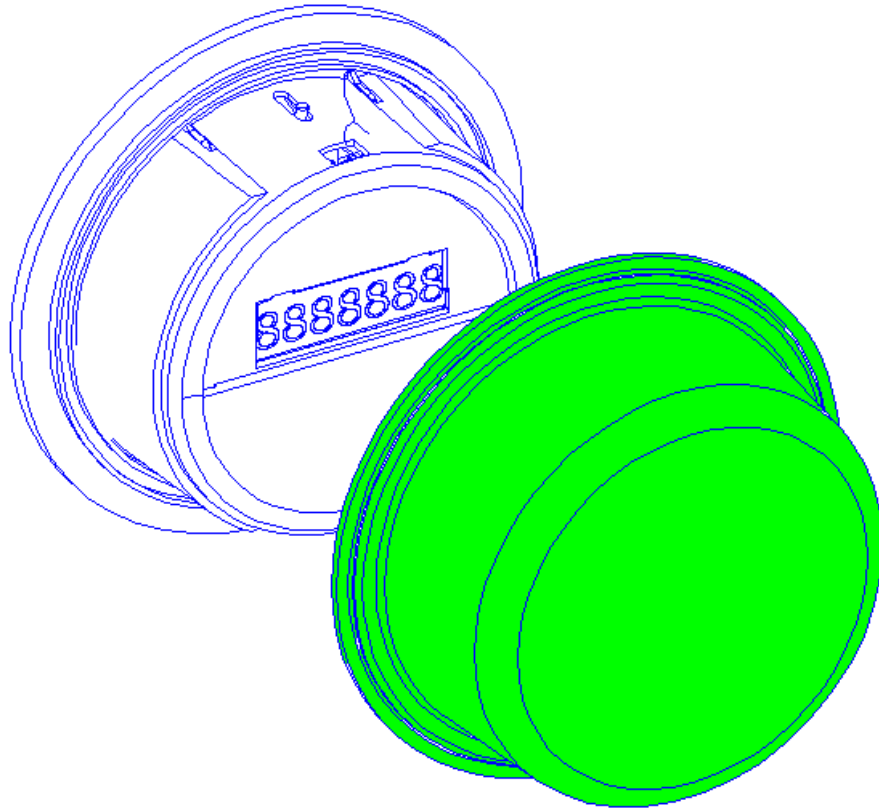
Place **ID label** on the **plastic cover** marked positions & **Rev / Ver label**.




	DRAW NO.: DC00017-001		
	DESCRIPTION: FINAL ASSEMBLY AMR UNIT ELEC METER CENTRON	REV B	SH. _10_ OF _9_

Last cover

Place the **last cover** on the top of meter.



	DRAW NO.: DC00017-001		
	DESCRIPTION: FINAL ASSEMBLY AMR UNIT ELEC METER CENTRON	REV B	SH. _11_ OF _9_