





**DRAW NO.:** DC00017-001

**DESCRIPTION:**

FINAL ASSEMBLY AMR UNIT  
ELEC METER CENTRON


**REV**

B

SH.   2   OF  10

## Table of Contents

<b><u>Mechanical Assembly Description</u></b> .....	4
<u>Pcb</u> .....	4
<u>Display</u> .....	5
<u>Main Board With Display</u> .....	7
<u>Labels Assemble &amp; Rev / Ver Label</u> .....	7
<u>Main Board With The Meter</u> .....	8
<u>Power Supply Connector</u> .....	8
<u>First Cover</u> .....	9
<u>ID Labels &amp; Rev / Ver Label</u> .....	9
<u>Last cover</u> .....	10

	<b>DRAW NO.:</b> DC00017-001		
	<b>DESCRIPTION:</b> FINAL ASSEMBLY AMR UNIT ELEC METER CENTRON	<b>REV</b>  B	SH. <u>3</u> OF <u>10</u>

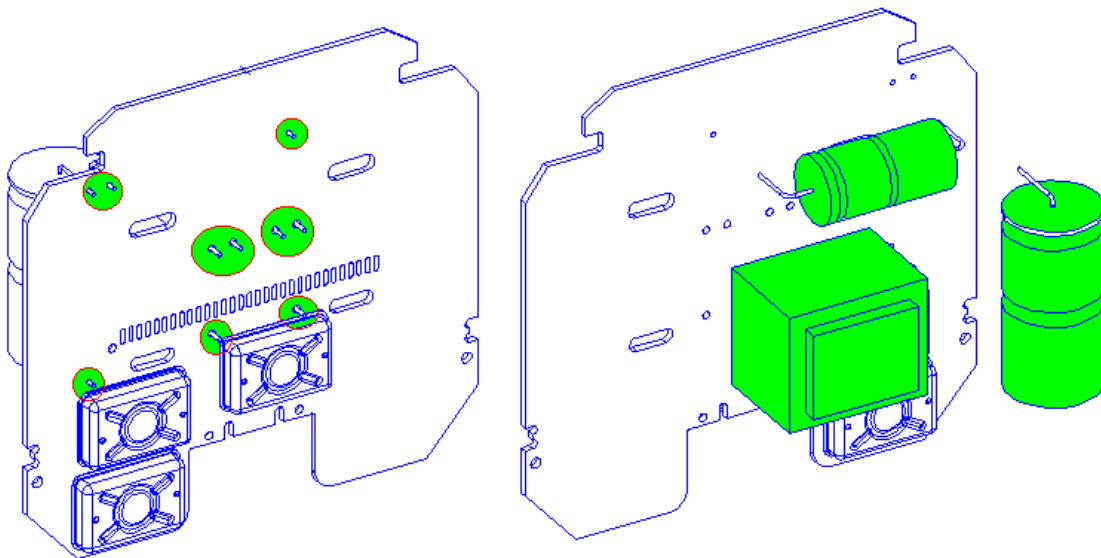
## Mechanical Assembly Description


### FCC Warning

Modifications not expressly approved by the manufacturer could void the user authority to operate the equipment under FCC Rules.

### Pcb

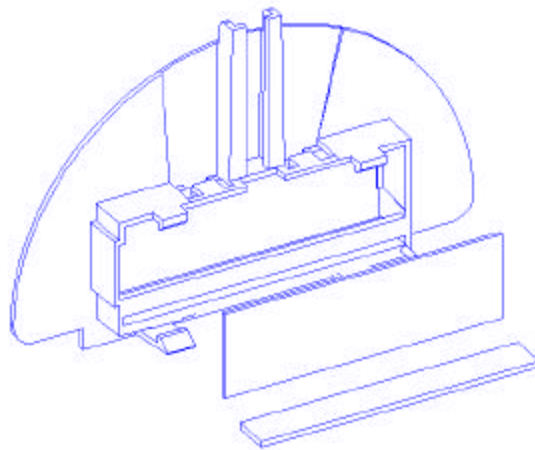
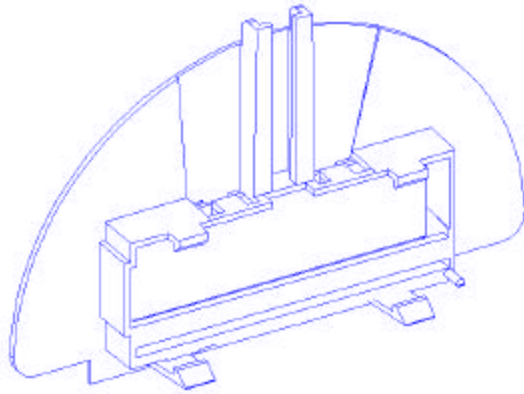
Solder the **capacitors** and transformer to the **main-board** at 10 soldering pads.




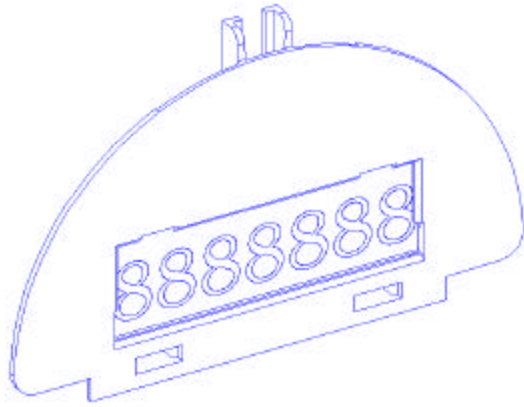
	DRAW NO.: DC00017-001		
	DESCRIPTION: FINAL ASSEMBLY AMR UNIT ELEC METER CENTRON	REV B	SH. _4_ OF _10_


## Display

Build the display and use with the **holder plastic**, **lcd** and **zebra strip**.



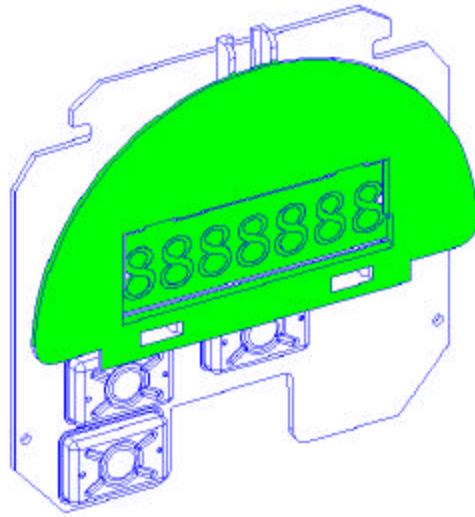
	<b>DRAW NO.:</b> DC00017-001		
	<b>DESCRIPTION:</b> FINAL ASSEMBLY AMR UNIT ELEC METER CENTRON	<b>REV</b> B	SH. <u>5</u> OF <u>10</u>



	<b>DRAW NO.:</b> DC00017-001		
	<b>DESCRIPTION:</b> FINAL ASSEMBLY AMR UNIT ELEC METER CENTRON	<b>REV</b>  B	SH. _6_ OF _10_

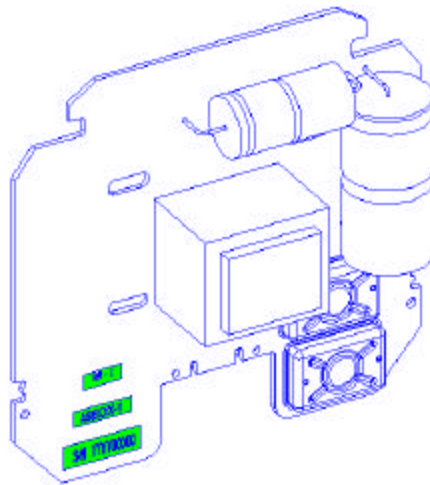
## Main Board With Display


Assemble the **display** on the **main board**.



## Labels Assemble & Rev / Ver Label

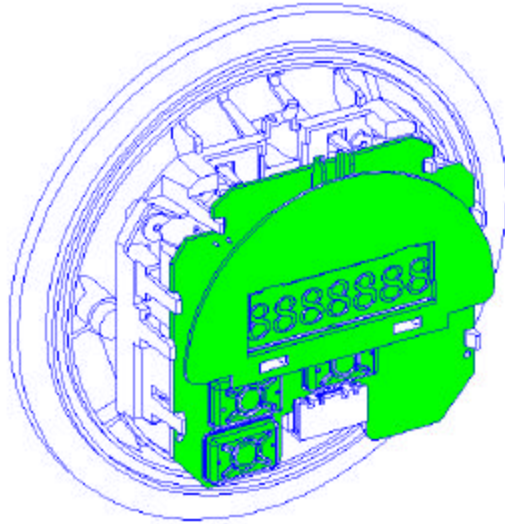
Place **Assembly, Rev / Ver** and **serial number labels** on the main board.



	DRAW NO.: DC00017-001		
	DESCRIPTION: FINAL ASSEMBLY AMR UNIT ELEC METER CENTRON	REV B	SH. _7_ OF _10_

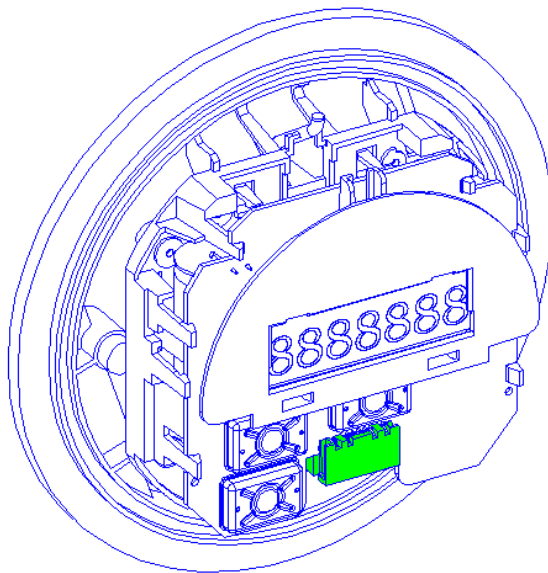
## Main Board With The Meter


Assemble the **main board** on the **meter** hold it with the 4 clips.



## Power Supply Connector

Assemble the **connector** from the meter to **main board**.

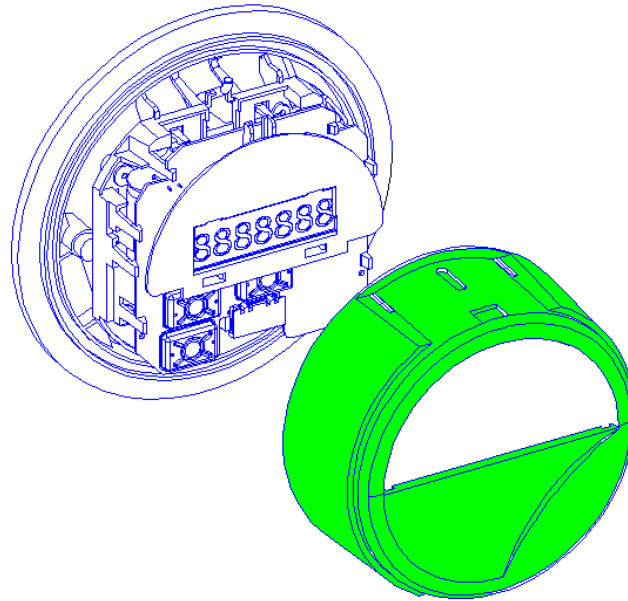


	DRAW NO.: DC00017-001		
	DESCRIPTION: FINAL ASSEMBLY AMR UNIT ELEC METER CENTRON	REV B	SH. _8_ OF _10_



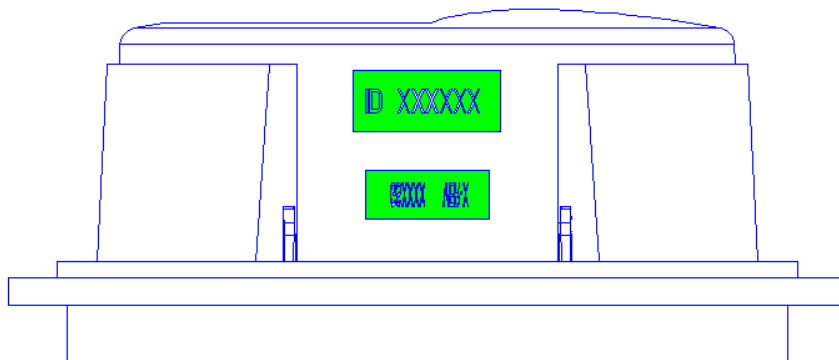
## First Cover


Place the **cover** on the top of meter.



## ID Labels & Rev / Ver Label

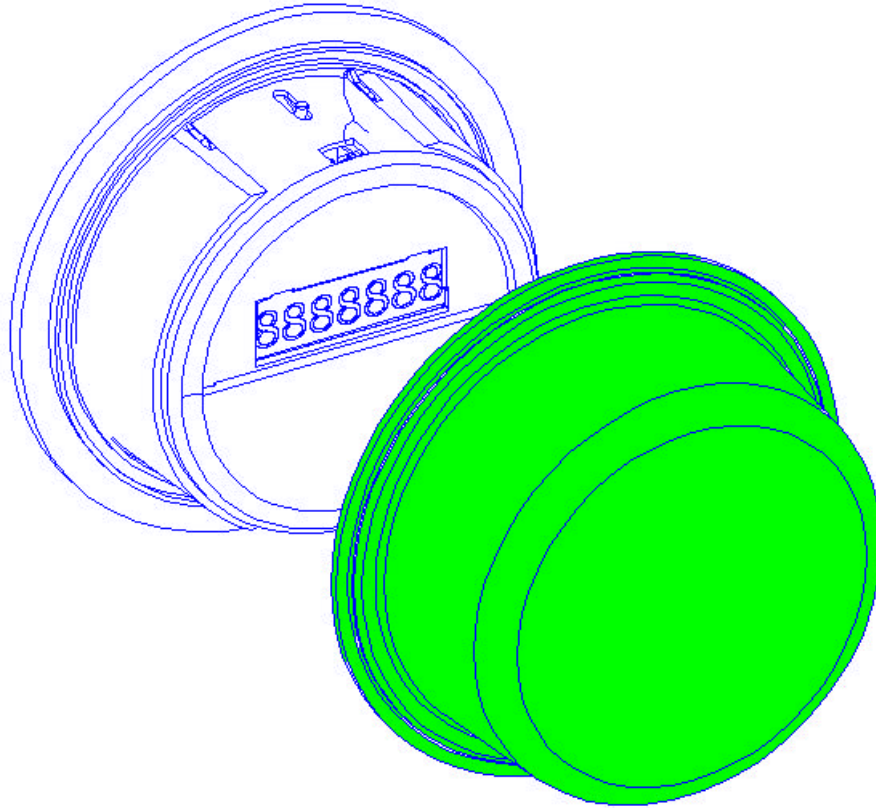
Place **ID label** on the **plastic cover** marked positions & **Rev / Ver label**.




	<b>DRAW NO.:</b> DC00017-001		
	<b>DESCRIPTION:</b> FINAL ASSEMBLY AMR UNIT ELEC METER CENTRON	<b>REV</b>  B	SH. <u>_9_</u> OF <u>_10_</u>

## Last cover

Place the **last cover** on the top of meter.



	DRAW NO.: DC00017-001		
	DESCRIPTION: FINAL ASSEMBLY AMR UNIT ELEC METER CENTRON	REV B	SH. _10_ OF _10_