

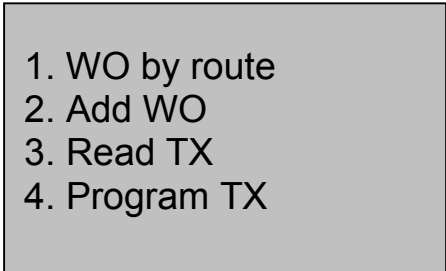
# **Nexus Data Industrial AMR Unit** **Installation and Initialization Manual**

## **General**

In order to comply with FCC RF Exposure requirements, the AMR unit must be installed in such a way that there is a 2m (6' 8") separation distance between it and all persons during normal operation.

## **Assembly**

1. Break seals.
2. Dismantle index cover, from meter (releasing 2 screws).
3. Dismantle old index, from meter (releasing 2 screws).
4. Dispose all old screws.
5. Connect index to AMR unit with 2 short screws, aligning the AMR unit's shaft to the index's shaft.
6. Place the AMR unit on the meter top, its label facing the front, and align its shaft with the meter shaft. By slightly rotating the shaft of the index, check that motion is transferred and that shafts are not stuck.
7. Holding the AMR unit's position, place the index cover on top and assemble 2 long screws in index cover. The screws should fit through the AMR unit and into meter.
8. Tighten screws and seal with the red plastic seals.
9. Initialize the AMR unit using the MINT (handheld programmer):
  - 9.1. Press 1 for WO (work order) by route to initializing the first AMR unit.

- 
1. WO by route
  2. Add WO
  3. Read TX
  4. Program TX

9.2. Select the Work Order and verify the details. Then key ENTER.

WO: nnn/xxx > **(APP)**

Loc: [decoded  
MeterLocation]

Address: [first 63  
characters of address]

9.3. Select '4. CCF Reading' and enter the number appearing on the index.

Meter: xxxyyyzzz

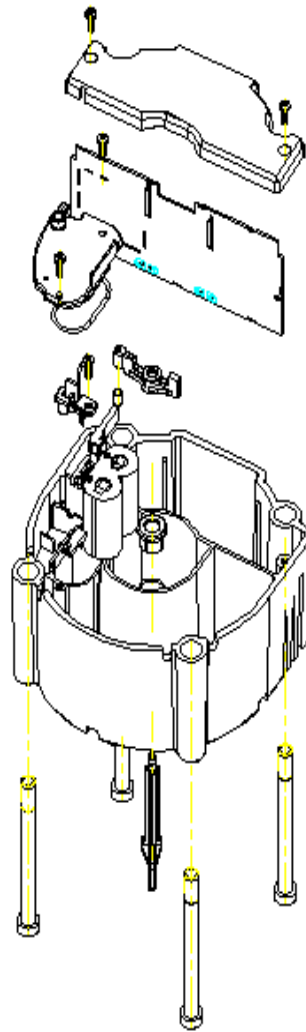
1. No. of Dials: 4
2. Index Drive: 1
3. Index Pressure: LP
4. CCF Reading: \_

9.4. Press on the program key to initialize the AMR unit.

## **FCC Warning**

Modifications not expressly approved by the manufacturer could void the user authority to operate the equipment under FCC Rules.

## Exhibit 1



## Exhibit 2

