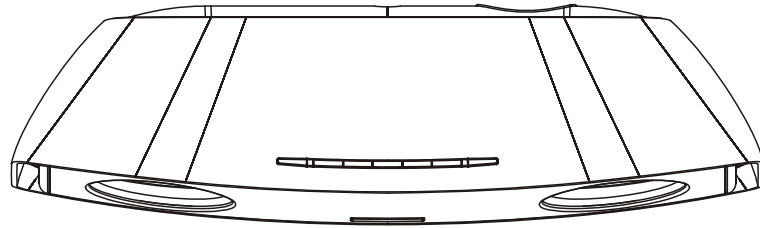


# INSTRUCTION MANUAL

## BLUETOOTH SPEAKER SYSTEM

MODEL: BSX100A



Please read following instructions prior to operating your unit.

Manufacturer of this unit follows a principle of continuous improvement and has no responsibility for any changes that are made to the unit nor any liability for these changes. Thanks for your choice of our products.

### WARNING

- CAUTION: USE OF ANY CONTROLS, ADJUSTMENTS, OR PROCEDURES OTHER THAN THOSE SPECIFIED HEREIN MAY RESULT IN HAZARDOUS RADIATION EXPOSURE.
- CAUTION: DANGER OF EXPLOSION IF BATTERY IS INCORRECTLY REPLACED. REPLACE ONLY WITH THE SAME OR EQUIVALENT TYPE.
- TO PREVENT FIRE OR SHOCK HAZARD, DO NOT USE THIS PLUG WITH AN EXTENSION CORD, RECEPTACLE OR OTHER OUTLET UNLESS THE BLADES CAN BE FULLY INSERTED TO PREVENT BLADE EXPOSURE.
- WARNING: TO REDUCE THE RISK OF FIRE OR ELECTRIC SHOCK, DO NOT EXPOSE THIS APPLIANCE TO RAIN OR MOISTURE.
- WARNING: THE BATTERIES SHALL NOT BE EXPOSED TO EXCESSIVE HEAT SUCH AS SUNSHINE, FIRE OR THE LIKE.



The lightning flash with arrowhead symbol, within an equilateral triangle, is intended to alert the user to the presence of uninsulated "dangerous voltage" within the product's enclosure that may be of sufficient magnitude to constitute a risk of electric shock to persons.

### CAUTION

**RISK OF ELECTRIC SHOCK  
DO NOT OPEN**

**WARNING: TO REDUCE THE RISK OF ELECTRIC SHOCK, DO NOT REMOVE COVER (OR BACK). NO USER-SERVICEABLE PARTS INSIDE. REFER SERVICING TO QUALIFIED SERVICE PERSONNEL.**



The exclamation point within an equilateral triangle is intended to alert the user to the presence of important operating and maintenance (servicing) instructions in the literature accompanying the appliance.

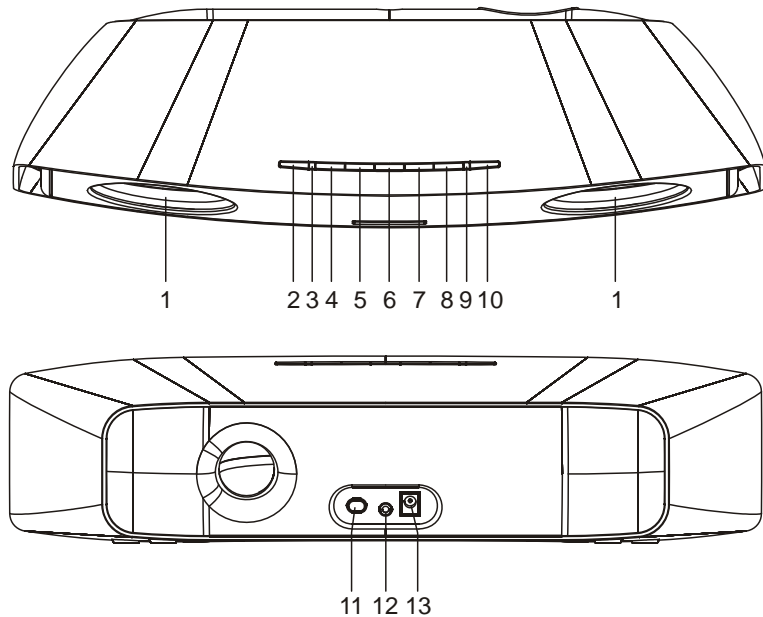
## IMPORTANT SAFETY INSTRUCTIONS

- 1) Read these instructions.
- 2) Keep these instructions.
- 3) Heed all warnings.
- 4) Follow all instructions.
- 5) Do not use this apparatus near water.
- 6) Clean only with dry cloth.
- 7) Do not block any ventilation openings. Install in accordance with the manufacturer's instructions.
- 8) Do not install near any heat sources such as radiators, heat registers, stoves, or other apparatus (including amplifiers) that produce heat.
- 9) Do not defeat the safety purpose of the polarized or grounding-type plug. A polarized plug has two blades with one wider than the other. A grounding type plug has two blades and a third grounding prong. The wide blade or the third prong are provided for your safety. If the provided plug does not fit into your outlet, consult an electrician for replacement of the obsolete outlet.
- 10) Protect the power cord from being walked on or pinch particularly at plugs, convenience receptacles, and the point where they exit from the apparatus.
- 11) Only use attachments/accessories specified by the manufacturer.
- 12) Use only with the cart, stand, tripod, bracket, or table specified by the manufacturer, or sold with the apparatus. When a cart is used, use caution when moving the cart/apparatus combination to avoid injury from tip-over.



S3125A

- 13) Unplug this apparatus during lightning storms or when unused for long periods of time.
- 14) Refer all servicing to qualified service personnel. Servicing is required when the apparatus has been damaged in any way, such as power-supply cord or plug is damaged, liquid has been spilled or objects have fallen into the apparatus, the apparatus has been exposed to rain or moisture, does not operate normally, or has been dropped.
- 15) This appliance shall not be exposed to dripping or splashing water and that no object filled with liquid such as vases shall be placed on the apparatus.
- 16) CAUTION: Visible and Invisible Laser Radiation when open and interlock defeated.  
DO NOT STARE INTO BEAM.
- 17) Rating label is located at the back of enclosure.
- 18) "CAUTION" mark is also located at the back of enclosure.



## LOCATION OF CONTROLS

### 1. SPEAKERS

### 2. BLUETOOTH BUTTON

### 3. BLUETOOTH INDICATOR

STATUS	INDICATOR
Power on	lights up, yellow
Pairing mode	flashes, blue
Connecting mode	lights up, blue

### 4. PREV BUTTON

### 5. NEXT BUTTON

### 6. PLAY/PAUSE BUTTON

### 7. VOL- BUTTON

### 8. VOL+ BUTTON

### 9. AUX IN LED INDICATOR

### 10. AUX IN BUTTON

### 11. POWER

### 12. AUX IN JACK

### 13. DC IN JACK

## POWER SUPPLY

Connect the AC/DC adapter to the unit and the main power.

## VOLUME LEVEL

Press VOL+/- button to adjust the volume level accordingly. Beep tones will be heard when Volume Maximum is reached.

## BLUETOOTH CONNECTION

This unit can receive stereo audio signal from a BLUETOOTH stereo audio source device.

1. Press and hold POWER button to turn the unit on.
2. Press BT button to turn on the BLUETOOTH feature (LED indicator rapid blinking).
3. Pair and connect to F-3088 on the BLUETOOTH audio source device. If prompted for passcode, enter "0000".
4. Pairing successful (LED indicator blue), ready to stream music.

### Note:

- Pairing mode is canceled (LED indicator yellow) about 1.5 minutes
- The above are generic steps to pair a BLUETOOTH device, for more specific instructions on BLUETOOTH connectivity for your device, please consult your manufacturer's manual.

## AUX IN

Follow below steps to connect the unit to another audio device like MP3 player and the like:

1. Connect the Audio Out of the device to AUX IN jack with audio cable.
2. Press and hold POWER button to turn the unit on.
3. Press AUX IN button to switch the unit to AUX mode.
4. Power on the device and begin playback.

## IMPORTANT SAFETY INSTRUCTIONS

- The apparatus shall not be exposed to dripping or splashing and that no objects filled with liquids, such as vases, shall be placed on the apparatus.
- When the mains plug or an appliance coupler is used as the disconnect device, the disconnect device shall remain readily operable. To be completely disconnected the power input, the mains plug of the apparatus or the appliance coupler shall be disconnected from the mains completely.
- No naked flame sources, such as lighted candles, should be placed on the apparatus.
- Minimum distances 2.0cm around the apparatus for sufficient ventilation. The ventilation should not be impeded by covering the ventilation openings with items, such as newspapers, table-cloths, curtains, etc.
- The use of apparatus is in tropical and/or moderate climates.
- The marking plate is located at the back of the apparatus.

## FCC Warnings

WARNING: Changes or modifications to this unit not expressly approved by the party responsible for compliance could void the user's authority to operate the equipment.