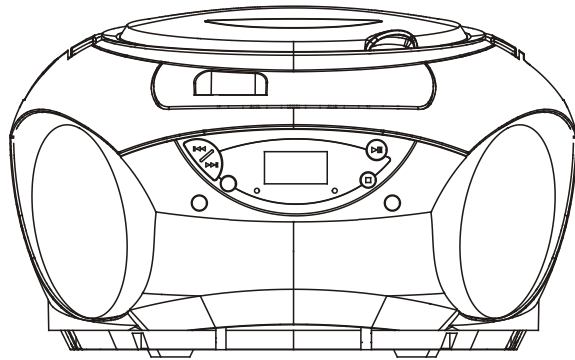


INSTRUCTION MANUAL

CD/MP3/WMA PLAYER WITH FM RADIO AND USB READER AND BLUETOOTH RECEPTION

MODEL: BTU108AM-FM



Please read and follow these instructions before using your unit.

FCC Warnings

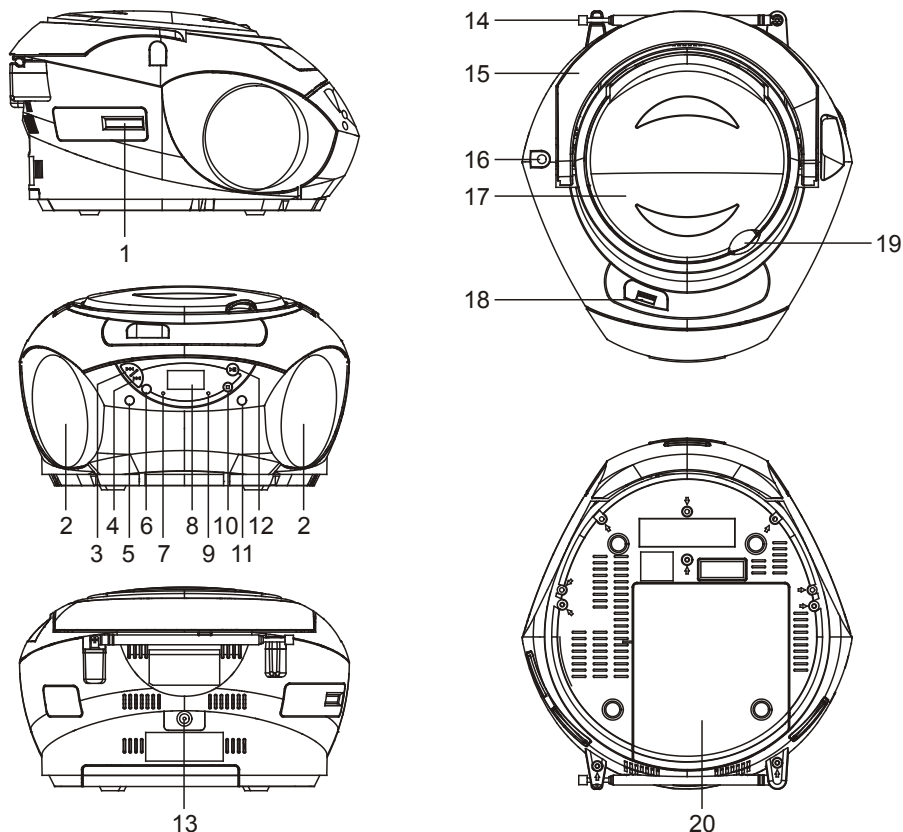
This device complies with part 15 of the FCC Rules. Operation is subject to the following two conditions: (1) This device may not cause harmful interference, and (2) this device must accept any interference received, including interference that may cause undesired operation.

Warning: Changes or modifications not expressly approved by the party responsible for compliance could void the user's authority to operate the equipment.

NOTE: This equipment has been tested and found to comply with the limits for a Class B digital device, pursuant to part 15 of the FCC Rules. These limits are designed to provide reasonable protection against harmful interference in a residential installation. This equipment generates, uses and can radiate radio frequency energy and, if not installed and used in accordance with the instructions, may cause harmful interference to radio communications. However, there is no guarantee that interference will not occur in a particular installation. If this equipment does cause harmful interference to radio or television reception, which can be determined by turning the equipment off and on, the user is encouraged to try to correct the interference by one or more of the following measures:

- Reorient or relocate the receiving antenna.
- Increase the separation between the equipment and receiver.
- Connect the equipment into an outlet on a circuit different from that to which the receiver is connected.
- Consult the dealer or an experienced radio/TV technician for help.

OVERVIEW OF THE PLAYER



LOCATION OF CONTROLS

- | | |
|-------------------------|--------------------------------|
| 1. VOLUME CONTROL | 11. POWER BUTTON |
| 2. SPEAKER | 12. PLAY/PAUSE/CH+/PAIR BUTTON |
| 3. SKIP DN/TUN- BUTTON | 13. DC IN JACK |
| 4. SKIP UP/TUN+ BUTTON | 14. FM TELESCOPIC ANTENNA |
| 5. SOURCE BUTTON | 15. FOLDING HANDLE |
| 6. MODE/PROG/MEM BUTTON | 16. AUX IN JACK |
| 7. STANDBY INDICATOR | 17. CD DOOR |
| 8. LCD DISPLAY | 18. USB PORT |
| 9. BLUETOOTH INDICATOR | 19. CD DOOR OPEN AREA |
| 10. STOP/CH- BUTTON | 20. BATTERY COMPARTMENT |

POWER SUPPLY

❑ BATTERY OPERATION

1. Remove the battery compartment cover gently.
2. Install 8 x 'C' size batteries (UM-2 or equivalent) while observing the correct polarities.
3. Replace the battery compartment cover.

NOTE:

- The AC/DC adapter must be detached from the DC IN jack of the player for battery operation.
- Leaking batteries may damage the battery cabinet and the player as a whole, so they should be removed from the cabinet when becoming flat or when the player is not to be played on batteries for some time.

❑ DC INPUT OPERATION

Plug the supplied adapter to the DC IN jack on the unit and to the main power.

FM RADIO

TUNING THE FM RADIO

1. The standby indicator will light once connect the main unit to the main power. Press the POWER button to turn the unit on (the standby indicator will be off).
2. Press the SOURCE button repeatedly to switch the unit to the FM radio mode.
3. To launch the auto-searching(forward or backward), press and hold the SKIP DN/TUN- button or SKIP UP/TUN+ button several seconds and then release it. When an available station is found, the unit broadcasts it immediately.
4. Press the SKIP DN/TUN- button or SKIP UP/TUN+ button to tune the radio stations manually.
5. Adjust the volume level to a comfortable listening level.
6. Press the POWER button to turn off the unit.

NOTE:

- When FM (stereo) station is received, the FM stereo icon will be displayed on the screen.
- The FM TELESCOPIC ANTENNA is directional. When you are receiving an FM broadcast, fully extend the TELESCOPIC ANTENNA and rotate it for the best reception.

STORING YOUR FAVORITE RADIO STATION

1. Tune to your favorite station first; press the MODE/PROG/MEM button for storing the current station until memory cell number flashes on the screen.
2. Use the STOP/CH- button or the PLAY/PAUSE/CH+/PAIR button to select the corresponding memory cell among P01-P20 for storing the station.
3. Confirm your selection by pressing the MODE/PROG/MEM button.
4. During radio playback, press the STOP/CH- button or the PLAY/PAUSE/CH+/PAIR button repeatedly to recall the preset stations.

HANDLING AND MAINTENANCE OF A DISC

Follow the instructions below to handle and maintain your disc in order that long time and trouble free performance can possibly be obtained:

- Ensure not to caress the rain bow side of the disc; handle the disc by the edge.
- Long time exposure to sunshine, high temperatures and humidity will damage the disc. And keep storage area clean.
- Avoid sticking labels on both sides of a disc. Writing with pointed articles on the disc should be strictly avoided.
- Clean the disc wiping the centre and then working out to the edge with a dry & soft cloth or a disc brush. Avoid any cleansing lotion or chemical eradicator.
- Store them in their cases when they are not to be used.



LOAD A DISC

1. Open the CD door by the Door open area.
2. Load a disc on the disc tray with the label side facing up.
3. Close the CD door.

PLAY A DISC (CD/MP3/WMA)

1. Press the POWER button to turn the unit on (the standby indicator will be off).
2. Press the SOURCE button repeatedly to switch to CD mode.
3. Follow the steps above to load a disc.
4. The player begins reading disc immediately.
5. When the disc is successfully read, the total number of the tracks shows in the LCD and playback follows with the first track.
6. Press the PLAY/PAUSE/CH+/PAIR button once to halt music playback, the elapsed time flashes to indicate the player in Pause mode; press the STOP/CH- button to cease music playback, the LCD shows the total number of the tracks again.

EXTERNAL MEMORY MEDIA OPERATION (USB)

1. Press the POWER button to turn the unit on (the standby indicator will be off).
2. Insert an USB to the USB port.
3. Press the SOURCE button repeatedly to switch to USB mode.
4. When the inserted USB is detected and read, the first track will be played automatically.
5. Press the PLAY/PAUSE/CH+/PAIR button to pause or resume the playback.
6. Press the STOP/CH- button to cease the playback.

SKIP TRACKS AND SEARCH FOR A SPECIFIC POINT TO PLAY (CD/MP3/WMA/USB)

1. Press once the SKIP UP/TUN+ button in music play to skip to the next track; press once the SKIP DN/TUN- button in music play to go back to beginning of the current track, press the button twice continuously to skip to the previous track.
2. Press and hold the SKIP UP/TUN+ button or the SKIP DN/TUN- button in music play to search at quick rate for a specific point to play.

REPEAT PLAYBACK (CD/MP3/WMA/USB)

During playback, press the MODE/PROG/MEM button to repeat play a single track; press the button twice to repeat play all tracks; press the button three times to enter the introduction play mode; press the button four times to enter the random play mode; press the button five times to exit.

PROGRAMMED PLAY (CD/MP3/WMA DISC/USB)

1. At stop mode, press the MODE/PROG/MEM button once, the program's icon shows with a program sequence indication "P01" first, then a track number flickers on the LCD with the program's icon;
2. Select the first track to be programmed using the SKP UP/TUN+ button or the SKIP DN/TUN- button, and then press the MODE/PROG/MEM button again to store and advance to the next programming step (If there are several folders on the MP3/WMA disc or USB, it is necessary to program folders first and then the tracks. The method of the folders programming is the same as the tracks programming.).
3. Repeat the above steps to program more tracks. A maximum of 20 tracks for CD and 99 tracks for MP3/USB/WMA can be programmed in memory in a preferred order. If the memory is full, the screen will show "FUL" for indicating.
4. Press the PLAY/PAUSE/CH+/PAIR button to begin programmed play in the preferred order after you are done with programming. The player stops automatically after all programmed tracks are played.
5. You may press the STOP/CH- button to terminate programmed playback. In program stop mode, press the PLAY/PAUSE/CH+/PAIR button to begin the programmed playback with the programming order identical with the previous one done; press the STOP/CH- button again to clear the programming.

BLUETOOTH OPERATING

This unit can receive stereo audio signal from a BLUETOOTH stereo audio source device.

1. Power on the unit, switch to BLUETOOTH mode by pressing the SOURCE button repeatedly.
2. LED indicator rapid blinking while it is pairing.
3. Pair and connect to BTU108 on the BLUETOOTH audio source device. If prompted for passcode, enter "0000".
4. Pairing successful (LED indicator flashes intermittently), ready to stream music.
5. Press the PLAY/PAUSE/CH+/PAIR button to pause/resume the playback.
6. Press once the SKIP UP/TUN+ button in music play to skip to the next track; press the SKIP DN/TUN- button once to skip to the previous track.
7. Press and hold the SKIP UP/TUN+ button or the SKIP DN/TUN- button in music play to search at quick rate for a specific point to play.

Note:

1. Pairing mode is canceled about 1.5 minutes. The PAIR mode can be entered again possibly by pressing and holding the PLAY/PAUSE/CH+/PAIR button.
2. The above are generic steps to pair a BLUETOOTH device, for more specific instructions on BLUETOOTH connectivity for your device, please consult your manufacturer's manual.

RE-CONNECT TO THE BLUETOOTH AUDIO SOURCE DEVICE

If the device is already paired with the BTU108, but became unconnected even with both Bluetooth devices turned on. You can re-connect them by following steps:

1. Press and hold the PLAY/PAUSE/CH+/PAIR button on the unit to re-link the audio source device. The Bluetooth indicator will blink for about 1.5 minutes for connecting.
2. Select BTU108 on the audio source device for connecting. Bluetooth indicator will turn to solid blue if the BTU108 and the device have been re-connected successfully

AUX IN

1. Connect the Aux in jack on the unit to an audio source, for example, MP3 player with an audio cable.
2. Power on the unit following the corresponding instructions.
3. Press the SOURCE button repeatedly to switch to AUX mode.
4. Use the native controls on the connected audio device to begin playing music through the connected unit.

IMPORTANT SAFETY INSTRUCTIONS

- The apparatus shall not be exposed to dripping or splashing and that no objects filled with liquids, such as vases, shall be placed on the apparatus.
- When the AC/DC adapter is used as the disconnect device, the disconnect device shall remain readily operable. To be completely disconnected the power input, the AC/DC adapter shall be disconnected from the mains completely.
- No naked flame sources, such as lighted candles, should be placed on the apparatus.
- Minimum distances 2.0cm around the apparatus for sufficient ventilation. The ventilation should not be impeded by covering the ventilation openings with items, such as newspapers, table-cloths, curtains, etc.
- The use of apparatus is in tropical and/or moderate climates.
- Attention should be drawn to the environmental aspects of battery disposal.
- CAUTION: Danger of explosion if battery is incorrectly replaced. Replace only with the same or equivalent type.
- Battery shall not be exposed to excessive heat such as sunshine, fire or the like.
- The marking plate is located at the back of the apparatus.