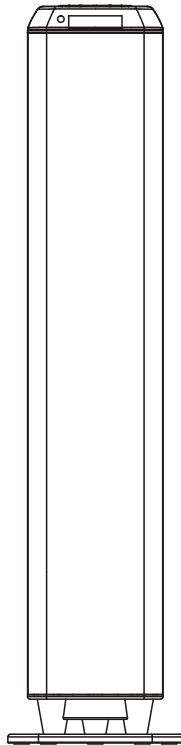


INSTRUCTION MANUAL

TOWER SPEAKER WITH BLUETOOTH & PLL FM STEREO RADIO

MODEL: TIB699CR



Please read following instructions prior to operating your unit.

Manufacturer of this unit follows a principle of continuous improvement and has no responsibility for any changes that are made to the unit nor any liability for these changes. Thanks for your choice of our products.

WARNING

- CAUTION: USE OF ANY CONTROLS, ADJUSTMENTS, OR PROCEDURES OTHER THAN THOSE SPECIFIED HEREIN MAY RESULT IN HAZARDOUS RADIATION EXPOSURE.
- CAUTION: DANGER OF EXPLOSION IF BATTERY IS INCORRECTLY REPLACED. REPLACE ONLY WITH THE SAME OR EQUIVALENT TYPE.
- TO PREVENT FIRE OR SHOCK HAZARD, DO NOT USE THIS PLUG WITH AN EXTENSION CORD, RECEPTACLE OR OTHER OUTLET UNLESS THE BLADES CAN BE FULLY INSERTED TO PREVENT BLADE EXPOSURE.
- WARNING: TO REDUCE THE RISK OF FIRE OR ELECTRIC SHOCK, DO NOT EXPOSE THIS APPLIANCE TO RAIN OR MOISTURE.
- WARNING: THE BATTERIES SHALL NOT BE EXPOSED TO EXCESSIVE HEAT SUCH AS SUNSHINE, FIRE OR THE LIKE.



The lightning flash with arrowhead symbol, within an equilateral triangle, is intended to alert the user to the presence of uninsulated "dangerous voltage" within the product's enclosure that may be of sufficient magnitude to constitute a risk of electric shock to persons.

CAUTION

**RISK OF ELECTRIC SHOCK
DO NOT OPEN**

WARNING: TO REDUCE THE RISK OF ELECTRIC SHOCK, DO NOT REMOVE COVER (OR BACK). NO USER-SERVICEABLE PARTS INSIDE. REFER SERVICING TO QUALIFIED SERVICE PERSONNEL.



The exclamation point within an equilateral triangle is intended to alert the user to the presence of important operating and maintenance (servicing) instructions in the literature accompanying the appliance.

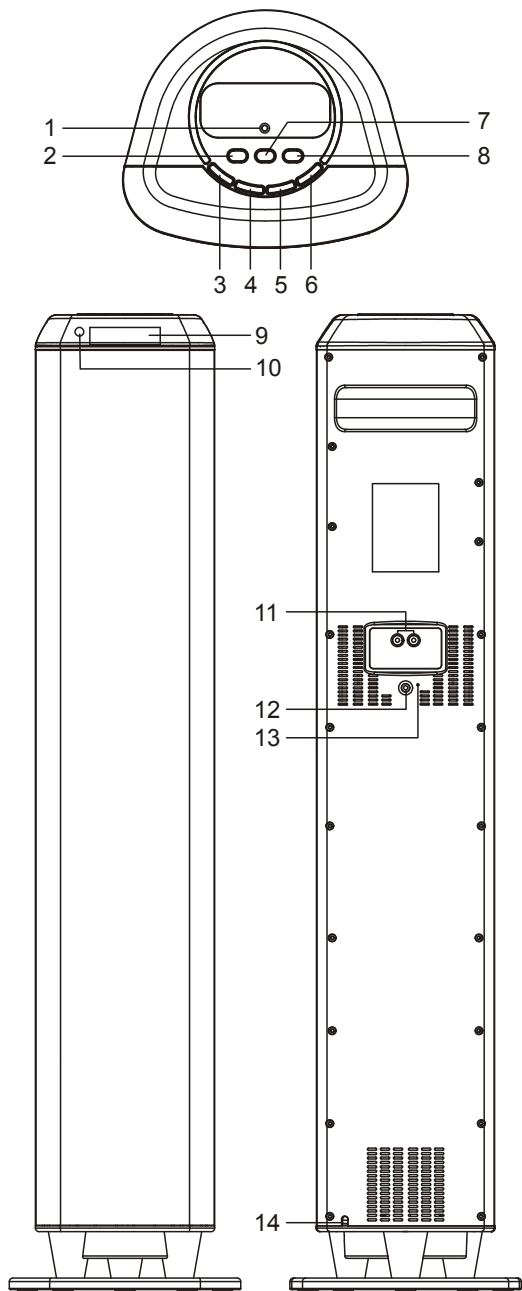
IMPORTANT SAFETY INSTRUCTIONS

- 1) Read these instructions.
- 2) Keep these instructions.
- 3) Heed all warnings.
- 4) Follow all instructions.
- 5) Do not use this apparatus near water.
- 6) Clean only with dry cloth.
- 7) Do not block any ventilation openings. Install in accordance with the manufacturer's instructions.
- 8) Do not install near any heat sources such as radiators, heat registers, stoves, or other apparatus (including amplifiers) that produce heat.
- 9) Do not defeat the safety purpose of the polarized or grounding-type plug. A polarized plug has two blades with one wider than the other. A grounding type plug has two blades and a third grounding prong. The wide blade or the third prong are provided for your safety. If the provided plug does not fit into your outlet, consult an electrician for replacement of the obsolete outlet.
- 10) Protect the power cord from being walked on or pinch particularly at plugs, convenience receptacles, and the point where they exit from the apparatus.
- 11) Only use attachments/accessories specified by the manufacturer.
- 12) Use only with the cart, stand, tripod, bracket, or table specified by the manufacturer, or sold with the apparatus. When a cart is used, use caution when moving the cart/apparatus combination to avoid injury from tip-over.



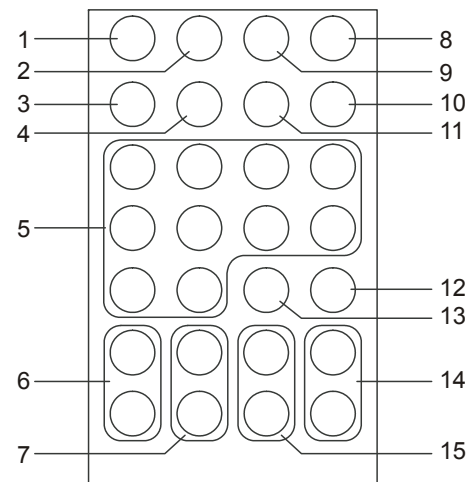
S3125A

- 13) Unplug this apparatus during lightning storms or when unused for long periods of time.
- 14) Refer all servicing to qualified service personnel. Servicing is required when the apparatus has been damaged in any way, such as power-supply cord or plug is damaged, liquid has been spilled or objects have fallen into the apparatus, the apparatus has been exposed to rain or moisture, does not operate normally, or has been dropped.
- 15) This appliance shall not be exposed to dripping or splashing water and that no object filled with liquid such as vases shall be placed on the apparatus.
- 16) CAUTION: Visible and Invisible Laser Radiation when open and interlock defeated.
DO NOT STARE INTO BEAM.
- 17) Rating label is located at the back of enclosure.
- 18) "CAUTION" mark is also located at the back of enclosure.



MAIN UNIT

1. BLUETOOTH INDICATOR
2. POWER BUTTON
3. VOLUME- BUTTON
4. VOLUME+ BUTTON
5. FM TUNING/SKIP/SEARCH DOWN BUTTON
6. FM TUNING/SKIP/SEARCH UP BUTTON
7. PAIR/PLAY/PAUSE BUTTON
8. SOURCE BUTTON
9. LCD DISPLAY
10. REMOTE SENSOR
11. AUDIO IN JACKS
12. LINE IN JACK
13. RESET BUTTON
14. AC CORD



REMOTE CONTROL

1. SOURCE BUTTON
2. MUTE BUTTON
3. MEM BUTTON
4. CH- BUTTON
5. NUMERIC BUTTONS
6. BASS +/- BUTTONS
7. TREBLE +/- BUTTONS
8. STANDBY BUTTON
9. PAIR/PLAY/PAUSE BUTTON
10. MO/ST BUTTON
11. CH+ BUTTON
12. CLOCK BUTTON
13. SLEEP BUTTON
14. TUNING/SKIP/SEARCH UP/DOWN BUTTONS
15. VOL +/- BUTTONS

POWER SUPPLY

Plug AC plug into the outlet socket on the unit for connecting the main power.

SLEEP TIMER SETTING

You can set the sleep timer at power on modes as following instructions:
Press SLEEP button on the remote control repeatedly to cycle through the sleep time options:

90 ➡ 80 ➡ 70 ➡ 60 ➡ 50 ➡ 40 ➡ 30 ➡ 20 ➡ 10 ➡ OFF

After the sleep time setting, you can play the unit freely. Once the sleep time is expired, the unit will be switched off.

During playback, press SLEEP button once to check the remaining sleep time.

HOW TO SET TIME

At the standby mode, press and hold CLOCK button on the remote until Hour flashes on the screen with "CLK" shows on the screen; use TUNING UP/DOWN button on the remote to adjust the hour and confirm your adjustment by pressing CLOCK button on the remote; Minute starts blinking on the screen, press TUNING UP/DOWN button on the remote to set the minute accordingly, press CLOCK button on the remote again to confirm your setting.

Note: The time only could be set on standby mode.

BLUETOOTH OPERATING

This unit can receive stereo audio signal from a BLUETOOTH stereo audio source device.

1. Power on the unit, switch to BLUETOOTH mode by pressing SOURCE repeatedly.
2. LED indicator rapid blinking while it is pairing.
3. Pair and connect to F-3088 on the BLUETOOTH audio source device. If prompted for passcode, enter "0000".

4. Pairing successful (LED indicator blue), ready to stream music.
5. During playback, press TUNING UP/DOWN button to skip to the next or previous track. Press and hold TUNING UP/DOWN button to search through the current track forward or backward.

Note:

- Pairing mode is canceled about 1.5 minutes.
- The above are generic steps to pair a BLUETOOTH device, for more specific instructions on BLUETOOTH connectivity for your device, please consult your manufacturer's manual.

FM RADIO

TUNING THE FM RADIO

1. Power on the unit, switch to TUNER(RADIO) mode by pressing SOURCE repeatedly.
2. Press TUNING UP/DOWN button to fine tune radio station. Press and hold TUNING UP/DOWN button to auto search radio station forward or backward respectively (When an available station will be found, the unit will broadcast it immediately and the searching will be stopped).
3. At radio mode, it is possible to access the frequency via numeric buttons on the remote control. For example, press buttons 8, 9 and 8 to get to 89.8 MHz; If access a wrong frequency, "ERROR" will display on the screen.
4. During radio playback, press MO/ST button on the remote to switch between FM STEREO and FM MONO modes.

STORING YOUR FAVORITE RADIO STATION

1. During playback, press MEM button on the remote for storing the current station until memory cell number "P01" flashes on the screen.
2. Use CH+ or CH- button on the remote to select the corresponding memory cell among P01-P20 for storing the station.
3. Confirm your selection by pressing MEM button on the remote.
4. During radio playback, press CH+ or CH- button on the remote repeatedly to recall the stored stations.

MUTE THE UNIT

During playback, press MUTE button to switch off the audio. Press the button again to resume the audio.

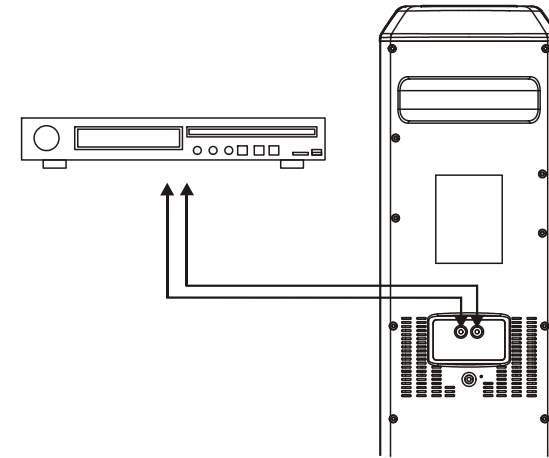
VOLUME LEVEL/TREBLE/BASS ADJUSTMENT

Press VOLUME +/- button or TREBLE +/- button or BASS +/- button to adjust the volume output level or treble effect or bass effect.

RESET BUTTON

When using the unit, you will come across some problems that the unit doesn't work or halt accidentally; you can use a needle or a small, slender implement to poke the RESET button in the rear of the player, the unit will turn off automatically and then please reboot the unit, the unit will recover the normal mode.

CONNECTING WITH OTHER APPLIANCES



AUX IN

1. Connect the Audio jacks on the unit to audio source, for example, DVD player with an RCA cable.
2. Press the POWER button on the unit or STANDBY button on the remote to turn the unit on.
3. Press the SOURCE button repeatedly to switch to AUX mode.
4. Use the native controls on the connected audio device to begin playing music through the connected the unit.

LINE IN

Follow steps to connect the unit to another audio device:

1. Connect the device into the player LINE IN jack with the LINE OUT cables.
2. Press POWER button on the unit or STANDBY button on the remote to turn the unit on.
3. Press SOURCE button repeatedly to switch the unit to Line In mode.
4. Power on the device and begin play.

TROUBLE SHOOTING

Symptom	Possible Cause	Solution
Radio sound distorted.	1. The station is not tuned in. 2. There is a poor signal in the area.	1. Fine tune the station. 2. Reposition the unit.
No radio sound.	1. The unit is not in tuner mode. 2. The volume has been muted or is on the minimum setting.	1. Press SOURCE button repeatedly until switching to tuner. 2. Adjust the volume level or press MUTE button to resume audio.

IMPORTANT SAFETY INSTRUCTIONS

- The apparatus shall not be exposed to dripping or splashing and that no objects filled with liquids, such as vases, shall be placed on the apparatus.
- When the mains plug or an appliance coupler is used as the disconnect device, the disconnect device shall remain readily operable. To be completely disconnected the power input, the mains plug of the apparatus or the appliance coupler shall be disconnected from the mains completely.
- No naked flame sources, such as lighted candles, should be placed on the apparatus.
- Minimum distances 2.0cm around the apparatus for sufficient ventilation. The ventilation should not be impeded by covering the ventilation openings with items, such as newspapers, table-cloths, curtains, etc.
- The use of apparatus is in tropical and/or moderate climates.
- Attention should be drawn to the environmental aspects of battery disposal.
- CAUTION: Danger of explosion if battery is incorrectly replaced. Replace only with the same or equivalent type.
- Battery shall not be exposed to excessive heat such as sunshine, fire or the like.
- The marking plate is located at the back of the apparatus.

FCC Warnings

WARNING: Changes or modifications to this unit not expressly approved by the party responsible for compliance could void the user's authority to operate the equipment.

NOTE: This equipment has been tested and found to comply with the limits for a Class B digital device, pursuant to Part 15 of the FCC Rules. These limits are designed to provide reasonable protection against harmful interference in a residential installation. This equipment generates, uses, and can radiate radio frequency energy and, if not installed and used in accordance with the instructions, may cause harmful interference to radio communications. However, there is no guarantee that interference will not occur in a particular installation. If this equipment does cause harmful interference to radio or television reception, which can be determined by turning the equipment off and on, the user is encouraged to try to correct the interference by one or more of the following measures:

- Reorient or relocate the receiving antenna.
- Increase the separation between the equipment and receiver.
- Connect the equipment into an outlet on a circuit different from that to which the receiver is connected.
- Consult the dealer or an experienced radio/TV technician for help.

This equipment complies with FCC RF radiation exposure limits set forth an uncontrolled environment.