

"CLINCH" ROBOT

RADIO CONTROLLED

ATTENTION PARENTS

It is recommended that this toy and all accessories be periodically examined for potential hazards and that any potentially hazardous parts be repaired or replaced.

For ages 8 and up.

Repair and Parts Department
Monday to Friday 8:30AM-5:30PM Central Time
Repair:(800)736-4556
Parts:(800)776-4556
Fax:(972)578-7059
e-mail:nikkocs@airmail.net

- Please read carefully before starting to operate.
- "Warning! use under the direct supervision of an adult.
- Keep the operation manual and display box for future reference.
- Use 4 x "AA" size alkaline (1.5V) or Ni-Cd (1.2V) batteries. (NOT INCLUDED) and 006P(9V)battery.(NOT INCLUDED)

© NIKKO

RDC-700002

NIKKO
AMERICA, INC

PRINTED IN CHINA

FEATURES

- Arms raised, lowered and can carry objects by transmitter control.
- Forward (straight) and reverse (left turn) travel
- Eyes light up when running

BATTERY REQUIREMENTS:

Transmitter: One 9-volt alkaline battery (not included)

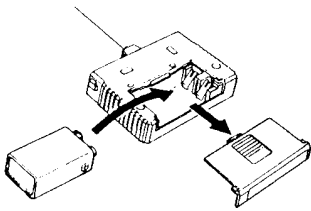
Robot: 4 x "AA" alkaline (1.5 V) or Ni-Cd (1.2 V) batteries (not included)

Please read the instructions before starting to operate. Without any precautions, the vehicle may move without your command or there may be overheating or batteries or power motor. Additionally, the vehicle should be kept out of the reach of very young children.

BATTERY INSTALLATION

TRANSMITTER

Insert one 9-volt alkaline battery.

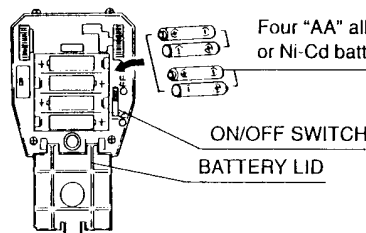


CAUTION

- Install batteries making sure that the (+) and (-) poles of the batteries are positioned accurately.
- Avoid combined use of charged Ni-Cd batteries and discharged Ni-Cd batteries and discharged Ni-Cd batteries.
- Do not mix old batteries with new batteries.
- Avoid using alkaline batteries and Ni-Cd batteries together.

ROBOT

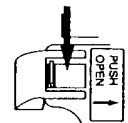
Insert 4 "AA" alkaline (1.5 V) or Ni-Cd (1.2 V) batteries as shown, making certain that the negative (-) and positive (+) poles are positioned properly.



3 MAJOR CAUSES OF ROBOT MALFUNCTION

WEAK BATTERIES
INCORRECT BATTERY INSTALLATION
INTERFERENCE

* Open the battery cover by applying pressure on the stopper as shown.

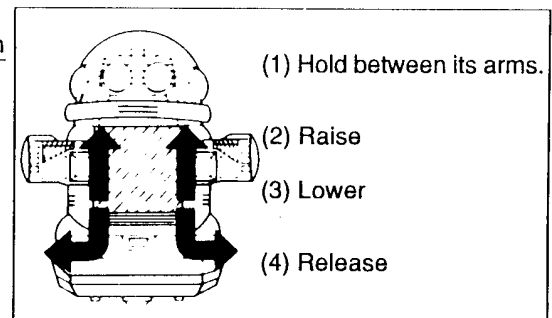
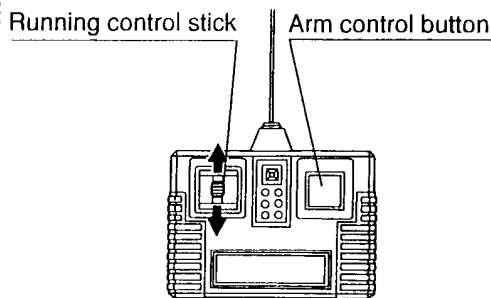
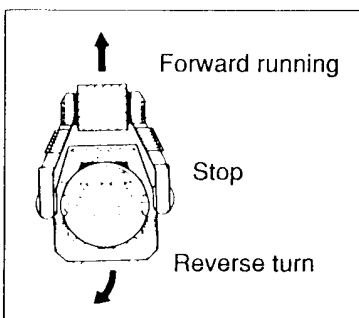


- * Do not mix old and new batteries.
- * Install batteries accurately in the battery compartment.
- * Do not mix alkaline, standard [carbon-zinc], or rechargeable [nickel-cadmium] batteries.

HOW TO OPERATE

- The transmitter is automatically turned ON when either the Running Control Stick or the Arm Control Button is pressed, and is automatically switched OFF when the stick or button is released.

For best results hold the Control Unit antenna straight up, not pointing at the robot.



* The lights in the robot's "Rolly Eyes" will blink when running.

ATTENTION:

- If the arm control button is pressed while the robot is running, it will stop running and begin its arm movements.
- Forced movements of the arms or forced stopping of the arms while they are moving may cause damage.

* The robot will repeat these four movements while the button is held pressed.

RADIO INTERFERENCE:

Sometimes erratic behavior or loss of control of the robot is the result of interference caused by high-tension wires, high-voltage transformers, certain types of buildings, concrete walls or narrow places where RADIO SIGNALS sent from your transmitter MAY BE DIFFUSED, thus making it DIFFICULT for your robot to receive a GOOD SIGNAL. If you encounter this type of behavior or loss of control, CHANGE TO A DIFFERENT LOCATION.

You will encounter INTERFERENCE if ANOTHER radio-controlled toy or CB radio is operating in the vicinity on your SAME FREQUENCY.

OPERATING SAFETY RULES

Select a SAFE place to operate your robot. Do not operate in the street. Avoid operating on SAND or through puddles of WATER. These hazards can impair performance. Check the surface ahead of you and watch for obstacles.

The radio receiver in your robot and transmitter are sensitive instruments. Do not STORE the robot or Transmitter near sources of HEAT or under DIRECT SUNLIGHT for long periods of time. Avoid leaving the robot or transmitter OUTSIDE OVERNIGHT. NIGHT DAMPNESS is harmful to the internal mechanisms.

.Note: "Do not recharge non-rechargeable batteries!"

.Note: "Remove rechargeable batteries from the toy before charging!"

.Note: "Only charge rechargeable batteries under supervision of adults!"

.Note: "Insert batteries while observing proper polarization!"

.Note: "Do not mix different types of batteries or fresh and used batteries!"

Cleaning and maintenance:

This toy vehicle needs periodic maintenance and cleaning.

Caution

Keep out of reach of small children under 36 months old as there is danger of getting hurt.

THE FCC WANTS YOU KNOW

This device complies with part 15 of the FCC Rules, Operation is subject to the following two conditions:

(1) This device may not cause harmful interference.

(2) This device must accept any interference received, including interference that may cause undesired operation.

Your R/C car might cause TV or radio interference even when it is operating properly.

To determine whether your R/C car is causing the interference, turn off your R/C car.

If the interference goes away, your R/C car is causing the interference.

Try to eliminate the interference by:

- Moving your R/C car away from the receiver.
- Contacting your local store for help.

If you cannot eliminate the interference, the FCC requires that you stop using your R/C car.

NOTICE:

Change or modifications not expressly approved by the manufacturer for compliance could void the user's authority to operate the equipment.