

MODEL: LQ-2-W3
 ITEM: 1264122

SPECIFICATIONS

Maximum Input Voltage (VAC)	125 VAC
Nominal Input Frequency (Hz)	60Hz
Maximum Output Power (Watts)	1875W
Resistive or general purpose Tungsten load	15 A
Indoor	Indoor Only
Network Requirements	Wireless router supporting 2.4 GHz wireless band
Smart Device Compatibility	Remote Control Devices through 3G, 4G or Wi-Fi Android smartphone device running Android 4.1 or above iPhone/iPad running iOS 8 or above CE Smart App 2.3.0 or higher
Certifications	ETL & CETL Listed, FCC, IC
Standards	Conforms to UL STD. 498 and 60730-1 Certified to CSA STD. C22.2 #42 and E60730-1
FCC ID	2AMQ8-WIFI-008
IC	23878-WIFI008

FCC COMPLIANCE

This device complies with part 15 of the FCC rules and the Industry Canada license-exempt RSS standard(s). Operation is subject to the following two conditions: (1) this device may not cause harmful interference, and (2) this device must accept any interference received, including interference that may cause undesired operation of the device. This device complies with RSS-247 of Industry Canada. Operation is subject to the condition that this device does not cause harmful interference.

Changes or modifications not expressly approved by the party responsible for compliance could void the user's authority to operate the equipment.

This equipment has been tested and found to comply with the limits for a Class B digital device, pursuant to part 15 of the FCC Rules. These limits are designed to provide reasonable protection against harmful interference in a residential installation. This equipment generates uses and can radiate radio frequency energy and, if not installed and used in accordance with the instructions, may cause harmful interference to radio communications. However, there is no guarantee that interference will not occur in a particular installation. If this equipment does cause harmful interference to radio or television reception, which can be determined by turning the equipment off and on, the user is encouraged to try to correct the interference by one or more of the following measures:

- Reorient or relocate the receiving antenna.
- Increase the separation between the equipment and receiver.
- Connect the equipment into an outlet on a circuit different from that to which the receiver is connected.
- Consult the dealer or an experienced radio/TV technician for help.

The equipment complies with Canada radiation exposure limits set forth for an uncontrolled environment. This equipment should be installed and operated with a minimum distance of 20cm between the antenna of this device and your body.



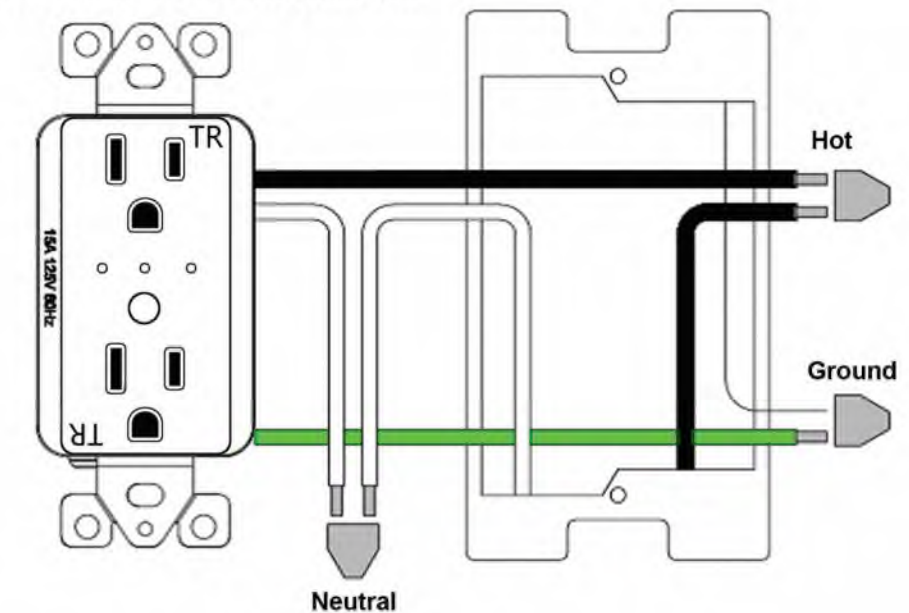
⚠️ WARNINGS AND CAUTIONS

- Be sure to read the instructions carefully before installation, the manufacturer will not be responsible for any product damage or personal injury.
- Improper wiring of any electrical device can cause fire, serious injury, or death.
- Always consult a qualified licensed electrician who will ensure the receptacle is installed in accordance with the local electrical codes and regulations.
- If the current outlet has the top and bottom outlets controlled by separate circuit breakers, you cannot use this device.
- Before starting installation, ensure power is disconnected at the circuit breaker and test existing outlet with a voltage tester.
- Install directly into a standard grounded 15A wall receptacle. Unit is not intended for use in 20A or GFCI wall receptacles.
- Risk of Electric Shock. DO NOT use in wet or damp locations.
- Risk of Fire. DO NOT exceed recommended electrical ratings
- TO AVOID FIRE, SHOCK OR DEATH, TURN OFF POWER at the circuit breaker or fuse and test that the power is off before wiring!
- Do not exceed the electrical ratings for anything plugged into or used with this outlet.
- Keep children away from Wi-Fi plug, outlets and cords
- For Indoor installation and use only
- Fully insert plugs into AC outlets
- Check with your local building jurisdiction as to permit, license or code requirements for installing wires or outlets within a wall. Some municipalities require an electrical inspection for modification of electrical work. It is recommended that all modifications or alterations of existing or new electrical work to be inspected by a licensed electrical inspector.
- Install the product to meet applicable National Electrical Code, Canadian Electrical Code and/or State, Provincial and local building code requirements for installing electrical building wire and switches as a single extension circuit, without modification or alteration to the building electrical circuit/wiring system. Installation code compliance is the responsibility of user and/or installer, and not of the manufacturer or its agents.
- Manufacturer and distributor are not liable for damages due to improper installation or violation of National Electrical or Local Building Code. If you are not skilled with working with electrical systems, you should hire a qualified professional electrician to install this product.
- DO NOT use with precision timing devices where inaccurate timing could be dangerous.
- DO NOT use with devices that should not be operated unattended (heaters, burners, etc.)

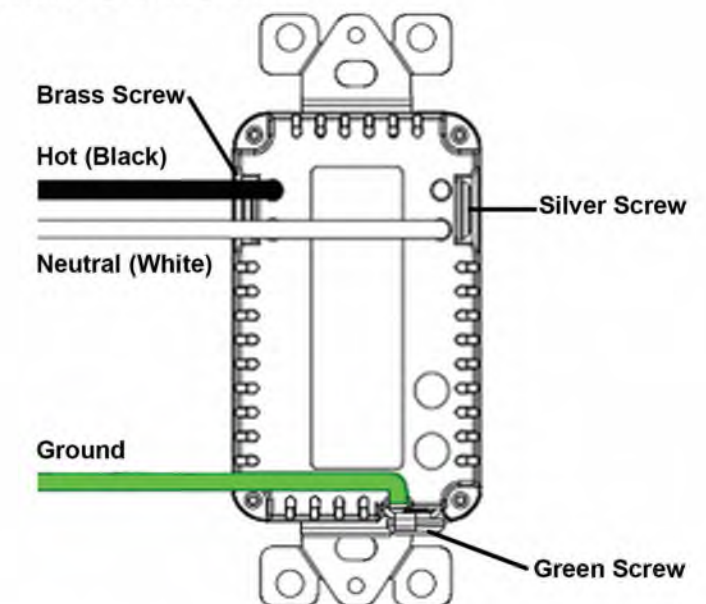
ALL CHARGING ESSENTIALS PRODUCTS MUST BE INSTALLED AND USED IN ACCORDANCE WITH THEIR INSTRUCTIONS, INCLUDING INSTRUCTIONS PROVIDED WITH THE CHARGING ESSENTIALS PRODUCT PACKAGING OR PROVIDED ON THE PRODUCT ITSELF. AT THE DISCRETION OF CHARGING ESSENTIALS ANY DEFECTIVE PRODUCT WILL BE REPLACED OR THE PURCHASE PRICE REFUNDED. THIS WARRANTY SHALL IN NO EVENT EXCEED AMOUNTS PAID BY CUSTOMER TO CHARGING ESSENTIALS OR ITS AFFILIATES FOR THE CHARGING ESSENTIAL PRODUCTS INVOLVED, AND EXPRESSLY EXCLUDES COVERAGE OF ANY DAMAGE TO FIXTURES, LAMPS OR THIRD PARTY PRODUCTS OR ELECTRONICS.

WIRING DIAGRAM:

FRONT WIRING DIAGRAM:



BACK WIRING DIAGRAM:



INSTALLATION

This device is to be installed into a standard grounded 15A wall receptacle. A standard wall box measures 7.62 cm (3 in) height x 5.08 cm (2 in) wide x 3.81 to 6.35 cm (1.5 to 2.5 in) deep or 19.50 to 31.75 cubic-cm (7.5 to 12.5 cubic-inches).

WARNING: HIGH VOLTAGE, TO AVOID FIRE, SHOCK, OR DEATH, TURN OFF POWER at circuit breaker or fuse and test that power is off at the outlet before wiring.

1. Remove the existing wall plate and screws from the wall after having turned off the power at the circuit breaker and tested the outlet with a voltage tester to ensure power is off.
2. Remove the existing receptacle from the wall.
3. Disconnect the wiring from the old receptacle.
4. Connect the new receptacle (Model LQ-2-W3) to the existing wiring (See "Wiring Diagram")

INSTALLATION INSTRUCTIONS

- For Side Wiring: You cannot use the side wiring method if more than one wire is required per terminal. If this is the case, use the back wiring method.
 - Loop wires clockwise $\frac{3}{4}$ turn around terminal screws
 - Black wire to "Hot"
 - White wire to "Neutral"
 - Green wire to "Ground"
 - Tighten the screws firmly over wire loops, ensuring that no bare conductors are exposed.
- For Back Wiring: Slide wires into the holes behind the appropriate terminal screws.
 - Black wire to "Hot."
 - Loosen the brass screw (counterclockwise) and insert black wire(s) into the hole(s) on the back of the unit. After the wire(s) are inserted, tighten the brass screw (clockwise) until the black wire(s) are secure.
 - White wire to "Neutral."
 - Repeat above step with the silver screw and white wire(s).
 - Green wire to "Ground."
 - Loosen the bottom green screw (counterclockwise) and wrap the ground wire around the base of the screw. Tighten the screw (clockwise) to secure the ground wire.
 - Tighten the screws firmly over the wires, ensuring that no bare conductors are exposed.
- Insert the new receptacle into the wall. Cover with the plate and screws provided.
- Restore power at the circuit breaker and test the outlet.
- Installation is complete.

Quick Start for CE Smart App

1. Use your mobile device to scan the QR code below or search for "CE Smart" in the App Store or Google Play to download and install the App. For iPad's select "iPhone Only" option in App Store to locate CE Smart app.

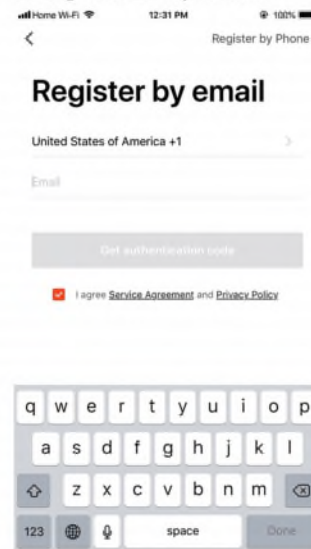


2. Connect mobile device to your 2.4GHz Wi-Fi network. Please note this Wi-Fi AC Outlet can only be connected via a 2.4GHz network.

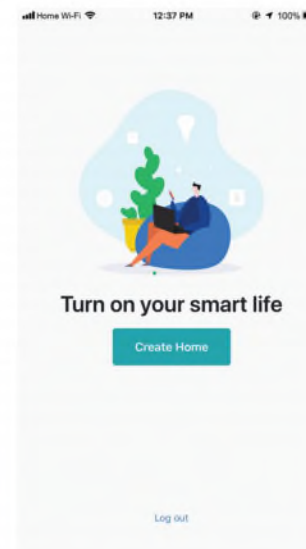


3. Launch CE Smart and follow the in-app instructions to connect the Smart Plug to your network.

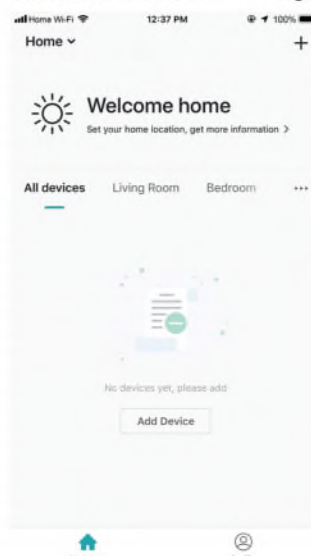
a. Register/Log in to CE Smart using email or phone #



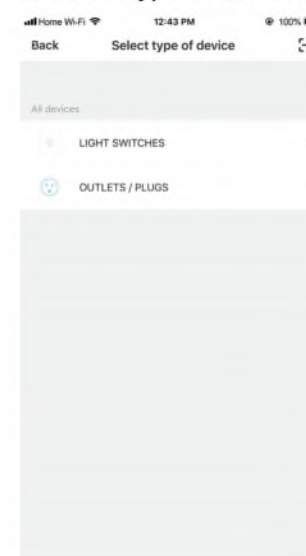
b. Create Home



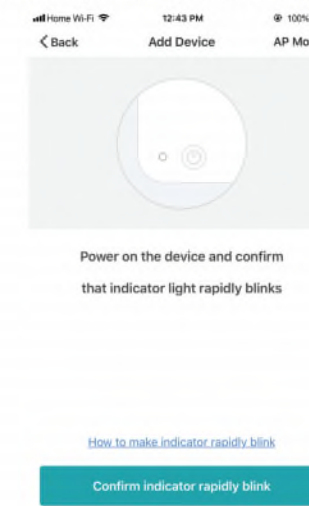
c. Click Add Device or "+" sign



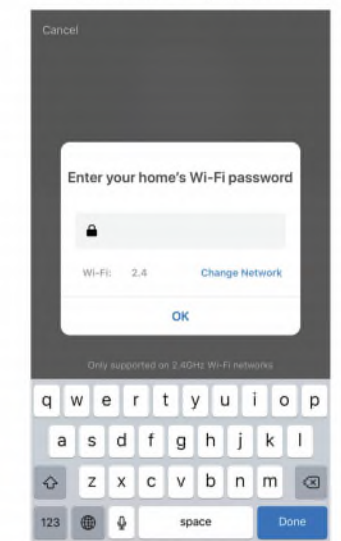
d. Select type of devices



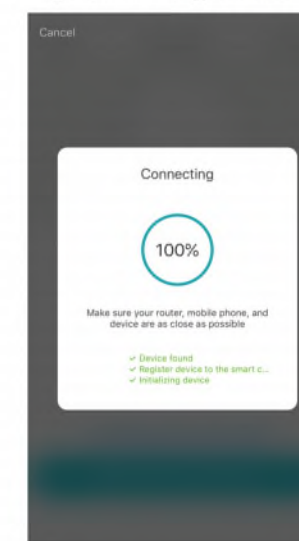
e. Select rapid blink, click Confirm



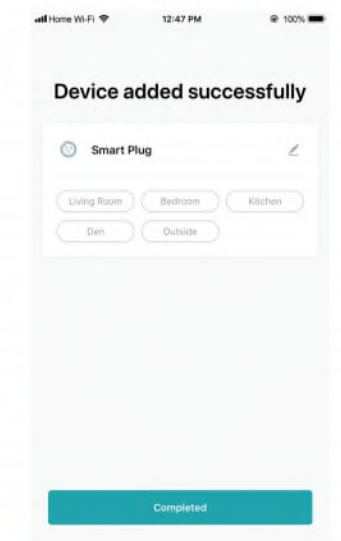
f. Enter Wi-Fi password



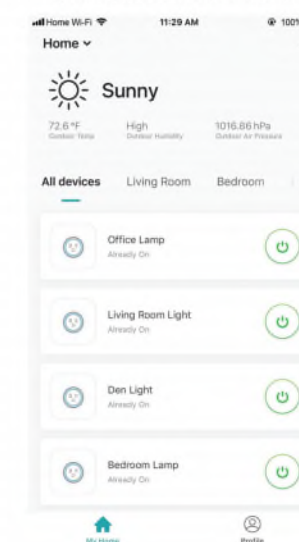
g. Connecting device



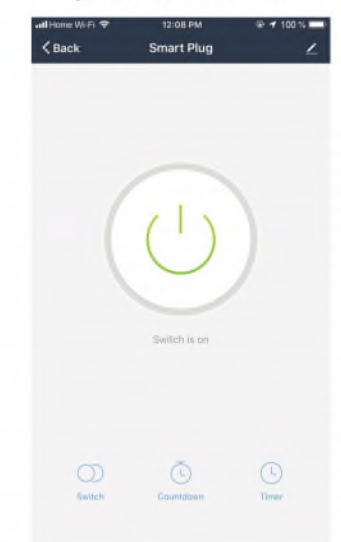
h. Edit Name or Tap "Completed"



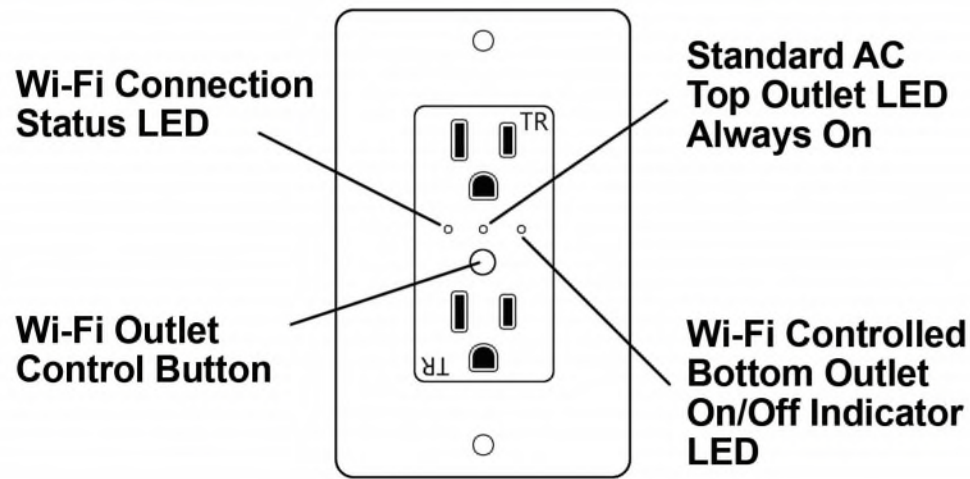
i. Device Home Screen



j. ON/OFF Control



Wi-Fi Smart AC Outlet



3 Blue LED Indicator Lights on Switch:

Wi-Fi Connection Status (Left LED):

- Quick Flashing Blue -> Connecting to network
- Steady Blue -> Connected to network
- Slow Flashing Blue -> AP Mode
- No LED Light -> Failed to connect to network

Standard AC Top Outlet (Center LED):

- ON -> Top Outlet Powered On
- OFF -> Top Outlet Powered Off

Wi-Fi Controlled Bottom Outlet (Right LED):

- ON -> Bottom Outlet Powered On
- OFF -> Bottom Outlet Powered Off

After you have successfully set up the CE Smart app and your device(s) you may control them remotely from your mobile device using a Wi-Fi or Cellular connection.

Works with Amazon Alexa and Google Home.

CE SMART APP REFERENCE GUIDE

Register / Create an Account

Tap "Register" to create an account using your email address or mobile phone number. Optionally you may tap Verify via SMS at the login screen to create a temporary account using your mobile phone number.

- Tap Register to enter registration page.
- Read and accept the privacy policy
- The system automatically recognizes your Region (country/code). You may also follow the instructions to manually select your country code. Enter your email address or tap "Register by phone" and enter your mobile number. (Do not include dashes, spaces, or the +1, only use 10 digit number for Log in.)
- Tap "Get authentication code" (received via text or email.) Enter the authentication code, create a password, and tap "Completed" to finish your registration. registr n.

Login / Registered Account

- Tap "Log in with existing account" to sign in to your account.
- Enter your previously registered email address, or 10 digit mobile number, and password, and then tap "Log in".

Login / Temporary Account / Sign in with SMS

- Tap "Verify via SMS" if you want to create a temporarily login. Note: there is no password and your login account will not be saved.
- Enter your 10 digit mobile number (no dashes, spaces, or +1) and tap "Get authentication code." You will receive an authentication code via text message.
- Enter the authentication code and tap "Log in".

Forgot Password

- To reset password, tap "Forgot password."
- Enter your email address or mobile number and tap "Next."
- Enter the authentication code received via text or email, then enter a new password, tap "Confirm" to finish.

Create Home

After you have registered and are logged in, begin the process of creating a home and adding devices. If you have multiple devices, they can be added at the same time.

- Tap "Create Home" to enter the Home Management Screen.
- Enter a "Home name" and a "Home location".
- Room set up is also available to organize your devices by room. Default room names are listed under "Smart devices in rooms" which you may uncheck to remove, or you may also add your own room names by tapping "Add another room".
- Tap "Completed" in upper right corner to successfully complete your Home set up.

Add Device +

Normal Mode (Default Method)

- Tap "Add Device" or the "+" in the upper right corner of the screen to enter device connection page.
- Select Device Type: Select "Outlet/Plugs".
- There are two Wi-Fi network connection methods (Normal Mode and AP Mode.) Normal Mode is the default and connects via your 2.4GHz Wi-Fi channel only. (Does not work with 5GHz channel.) Normal mode allows you to connect several CE Smart devices at the same time.
- For Normal Mode, please make sure the indicator light on the plug is set to flashing rapidly (2 times per second).
- Press the Wi-Fi control button and hold for 5 seconds until blue indicator light starts rapid flashing (2 times per second).
- Tap "Confirm indicator rapidly blink."

- Enter your 2.4GHz Wi-Fi password and tap "OK" to enter the device connection process.
- Device Connection Process will begin and connect device.

AP Mode (Access Point)

- Tap "AP Mode" in upper right screen.
- Connect your phone to 2.4GHz Wi-Fi.
- In AP Mode your device broadcasts a device name in your phone's Wi-Fi Settings that allows the Wi-Fi device to connect to your network. AP mode allows you to connect devices one by one.
- Make sure the device's indicator light is slowly flashing (1 time every 2 seconds).
- Press and hold Wi-Fi power button for 8-10 seconds to set blue indicator light to fast flashing. Press and hold again until blue indicator light slowly flashes (1 time every 2 seconds).
- Tap "Confirm indicator slowly blink".
- Enter your 2.4GHz Wi-Fi password and tap "Confirm."
- Open Wi-Fi Settings to connect to Device's Access Point Wi-Fi name.
- Locate then Tap the Wi-Fi device name, i.e. SmartLife_XXXX.
- Tap Connect.
- Go back to CE Smart app.
- Device Connection Process will begin and connect device.
- Tap Done.

Network Connection Process

The App goes through the process of trying to Connect Device, and displays a percentage on the Connecting Now screen while connecting. When the percentage reaches 100% the device should be successfully connected and registered to the cloud. The device default name will appear on the screen. You may rename the device by tapping the pencil icon to edit. This allows you to change to a better description of what the plug is controlling, for example, "Living Room Lamp." Tap "Done" or "Share with Family" to finish setup.

Troubleshooting Adding Device Failed

If your App interface failed to connect your outlet to your mobile device, it means that the network connection failed. Make sure you are connected to a 2.4GHz Wi-Fi channel. Try connecting again or view help in the app.

Controlling Devices

After successful configuration, the connected devices will be displayed on the home screen. Tap the pencil icon located in the upper right corner of the screen to access the device controls.

Note: When device is offline or no longer connected, "Offline" will appear under the device name. Tap "+" to re-connect the device and follow the on-screen instructions to re-connect the device.

Device Control Centre Features

- Wi-Fi Controlled Bottom Outlet ON / OFF main control button: Switch lower outlet on and off with your mobile device using a Wi-Fi or Cellular connection.
- Switch: Turns bottom outlet ON/OFF
- Countdown: Sets a one-time Countdown timer
- Timer: Set individual on and off schedules for lower outlet. On and off schedules must be set up individually. Make sure to set an off schedule for every on schedule.

Device Settings

To control your devices Tap the pencil icon in upper right corner of device control screen.

Device Name> Set a custom name for your device.

Device Location> Set a custom room for your device.

Check Network> Check your network connection.

Use Amazon Echo> Follow the on-screen instructions for how to set up Amazon Alexa voice control of your devices with the Amazon Alexa app and an Amazon Echo device.

Use Google Home> Follow the on-screen instructions for how to set up Google Assistant voice control of your devices with the Google Home app and a Google Home device.

Shared Devices> Tap "Add sharing" to share the device with family members; they must have a registered CE Smart app log in name.

Create Group> Create a group to control multiple devices simultaneously. A list of available devices to group will be displayed. Only identical devices with same model number may be grouped.

Device Info> Displays your Device ID, IP address and Mac Address, Time Zone, and Wi-Fi Signal Strength.

Send Feedback> Send feedback to the manufacturer.

Check for Firmware Update> Display the latest version.

Remove Device> Remove the device from the app. Note: this won't delete the customized device information; previously connected device information is stored.

Restore Manufacturer Defaults> Delete the stored device information completely and delete device.

Profile

Tap "Profile" located at bottom of home screen.

Tap to set your name> Below are options available for set up: Add Profile Picture, Nickname, Phone Number, Account Location, Temperature Unit, Time Zone, Change Log in Password, Pattern Unlock, Deactivate account, Log out.

Home Management> Users sharing your device.

Message Center> Messages related to the app.

More Services> Display list of supported devices and set up instructions for Amazon Echo and Google Home Devices.

Scan QR Code> QR scanner

FAQ> Tap to view list of frequently asked questions

Feedback> Display feedback messages sent or send new feedback message.

Settings> Turn on/off Sound, Push Notifications, About and Clear Cache.

Not all Wi-Fi installations are the same. If you are having trouble getting the light to fast blinking when setting up your device on your Wi-Fi, do not give up. Try the steps several times repeatedly until you get the light to fast blinking.

CUSTOMER SERVICE: 1-877-941-2525

M-F 9:00 a.m. - 4:00 p.m. Central time/English, French

Made in China

All trade names are registered trademarks of respective manufacturers listed. iOS is a trademark or registered trademark of Cisco in the U.S. and other countries. Apple, the Apple logo, iPad, iPhone, and iPad touch are trademarks of Apple Inc., registered in the U.S. and other countries. App store is a service mark of Apple Inc., registered in the U.S. and other countries. Android is a trademark of Google LLC. Google, Google Play, the Google Play logo, Google Assistant and the Google Assistant logo are trademarks of Google LLC. Amazon, Alexa and all related logos are trademarks of Amazon.com, Inc. or its affiliates. Wi-Fi® is a registered trademark of Wi-Fi Alliance®.