

Flexi Multiradio BTS GSM/EDGE Stack, Wall, and Pole Quick Guide



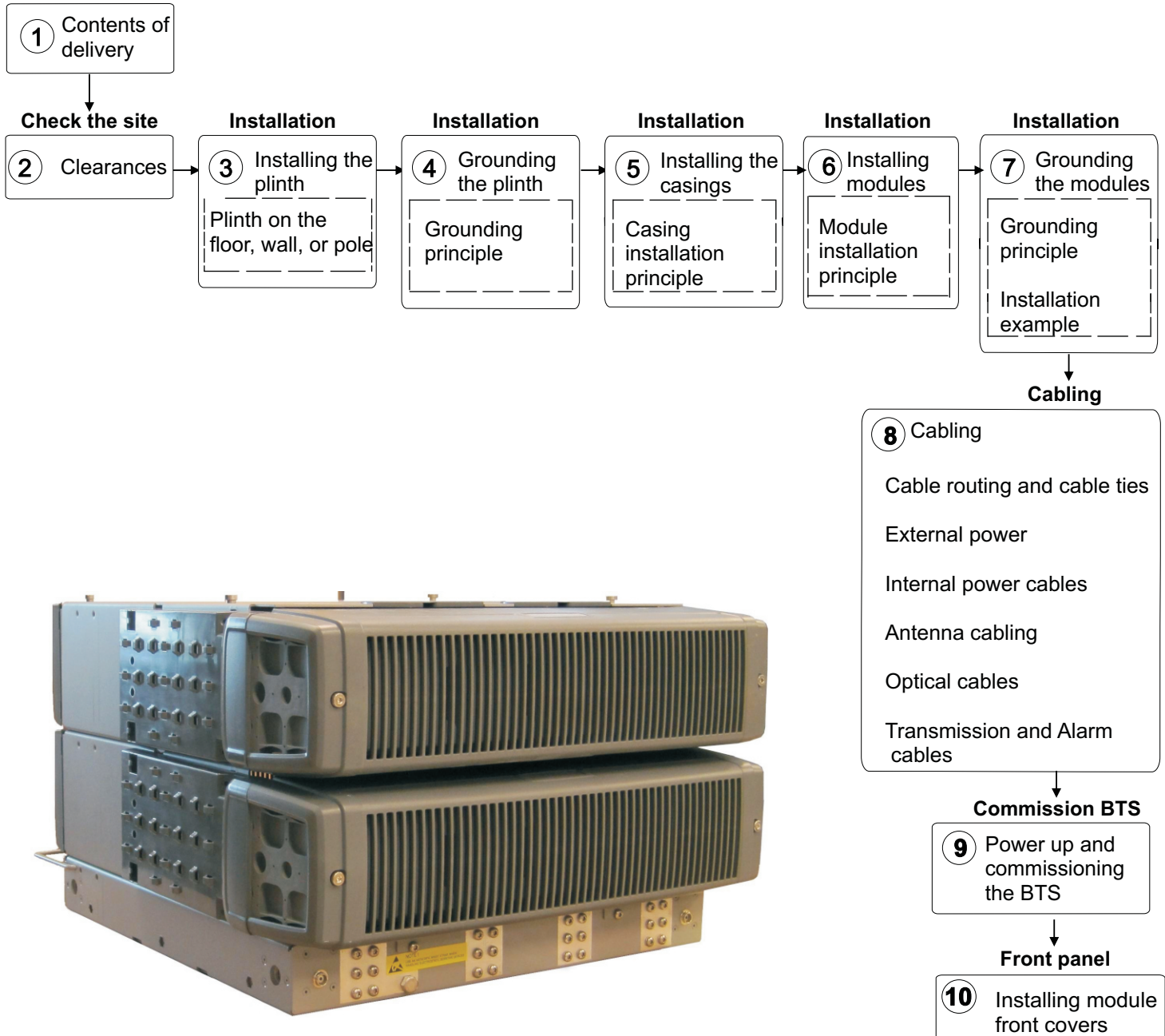
This guide can be used as quick reference for Flexi Multiradio BTS GSM/EDGE installation.

Flexi Multiradio BTS GSM/EDGE is a modular base station for GSM/EDGE capacity and coverage. It can be installed stacked on the floor, or mounted on the wall or on the pole.

This quick guide is for basic stack, wall and pole configurations with 48V DC input power. The basic installation consists of one System Module (ESMB/C) and one RF Module (Fxxx) allowing 1+1+1 up to 6+6+6 configurations depending on the TRX output power.

For all other installation options, see the user manuals.

Check the delivery



The information in this document is subject to change without notice and describes only the product defined in the introduction of this documentation. This documentation is intended for the use of Nokia Siemens Networks customers only for the purposes of the agreement under which the document is submitted, and no part of it may be used, reproduced, modified or transmitted in any form or means without the prior written permission of Nokia Siemens Networks. The documentation has been prepared to be used by professional and properly trained personnel, and the customer assumes full responsibility when using it. Nokia Siemens Networks welcomes customer comments as part of the process of continuous development and improvement of the documentation.

The information or statements given in this documentation concerning the suitability, capacity, or performance of the mentioned hardware or software products are given “as is” and all liability arising in connection with such hardware or software products shall be defined conclusively and finally in a separate agreement between Nokia Siemens Networks and the customer. However, Nokia Siemens Networks has made all reasonable efforts to ensure that the instructions contained in the document are adequate and free of material errors and omissions. Nokia Siemens Networks will, if deemed necessary by Nokia Siemens Networks, explain issues which may not be covered by the document.

Nokia Siemens Networks will correct errors in this documentation as soon as possible. IN NO EVENT WILL NOKIA SIEMENS NETWORKS BE LIABLE FOR ERRORS IN THIS DOCUMENTATION OR FOR ANY DAMAGES, INCLUDING BUT NOT LIMITED TO SPECIAL, DIRECT, INDIRECT, INCIDENTAL OR CONSEQUENTIAL OR ANY LOSSES, SUCH AS BUT NOT LIMITED TO LOSS OF PROFIT, REVENUE, BUSINESS INTERRUPTION, BUSINESS OPPORTUNITY OR DATA, THAT MAY ARISE FROM THE USE OF THIS DOCUMENT OR THE INFORMATION IN IT.

This documentation and the product it describes are considered protected by copyrights and other intellectual property rights according to the applicable laws.

The wave logo is a trademark of Nokia Siemens Networks Oy. Nokia is a registered trademark of Nokia Corporation. Siemens is a registered trademark of Siemens AG.

Other product names mentioned in this document may be trademarks of their respective owners, and they are mentioned for identification purposes only.

Copyright © Nokia Siemens Networks 2010. All rights reserved.

DN70970932, Issue 01 en



Warning

Danger of eye damage from invisible laser radiation produced by the System Module optical fibre connector!

Always switch off the laser before detaching the optical fibre from the connector.



Caution

Incorrect cables and seals may not provide secured environmental protection. Use only tested IP65 class cables with seals provided by Nokia Siemens Networks. Store all unused seals for later use.

Electrostatic discharge (ESD) may damage the modules. Wear an ESD wrist strap or use a corresponding method when handling the modules.

The rear stopper is fragile. Do not attempt to lift the plinth using the rear stopper.

If water leaks into the outdoor mechanics, the transmission equipment may fail. To help prevent water leakage, feed the cables through the bottom cable entries in wall and pole mounting, and through the bottom cable entry holes in stack installation.

Risk of damage to equipment. If modules are exposed to weather conditions, connector seals or boots must be installed at all times, whether the site is active or not.

1 Contents of delivery

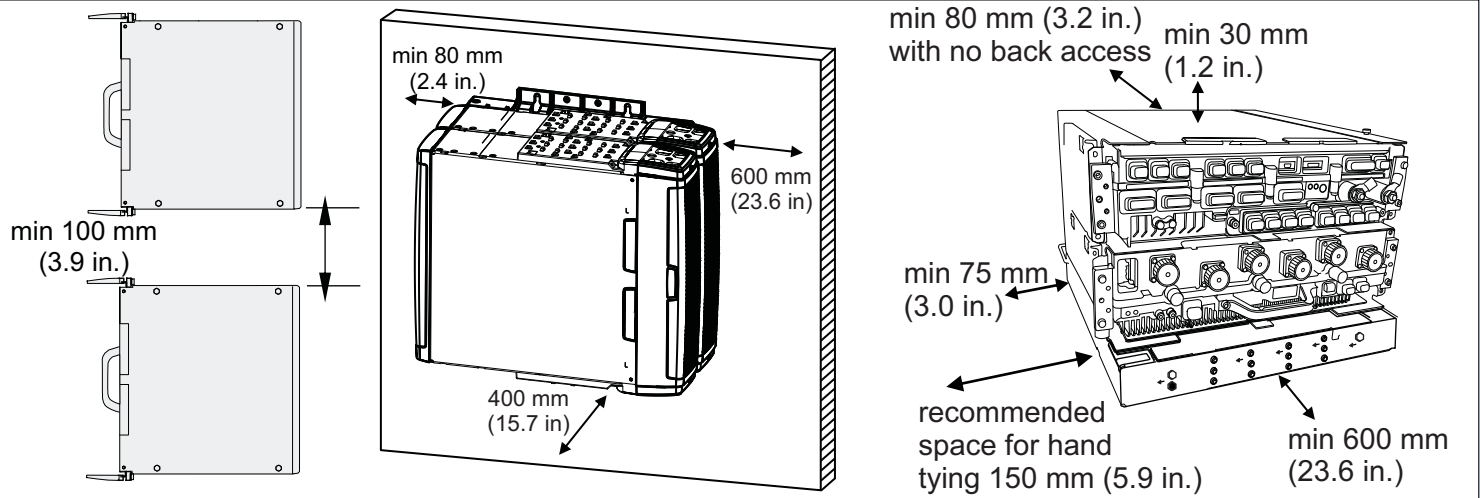
Delivery	Contents of delivery	Version	Product code	Quantity	
System module	Flexi Multiradio BTS GSM/EDGE System Module	ESMB	472109	1	
		ESMC	472059		
		Bag Reclosable (150 x225/ 200 x260)0.1 mm			1
		M10 HexNut			2
		B10 Washer			2
		AWG Single cable terminal lug rubber boots			2
		M10 Cableterm (25/35 mm2) Ring			2
		Pull-out tool			1
		Transmission sub-module			
			Flexi transmission interface E1 asymmetrical sub-module (FIEA)	470247 A	1
		Flexi transmission interface Flexbus sub-module (FIFA)	471007 A	1	
		Flexi transmission interface E1/T1 symmetrical sub-module (FIPA)	470248 A	1	
		Flexi transmission sub-module (FIQA)			
		PW 100Base-T Ethernet (RJ48) + 4xE1/T1 symmetrical 120/100 ohm (RJ48) + optional optical GE (SFP)	471607 A	1	
		Flexi transmission sub-module (FIYA)			
		PW 100Base-T Ethernet (RJ48) + 4xE1 asymmetrical 75 ohm (SMB) + optional optical GE (SFP)	471719 A	1	
	Screws (pre-installed)			4	
RF Module	Flexi Multiradio BTS GSM/EDGE Radio Frequency Module				
	RF Module Cable Set				
	Power cable 2 m		995281	1	
	Optical cable 2 m		994807	1	
	Optical transceivers		4707457	2	
Plinth delivery	Flexi Mounting Kit for Floor, Wall, and Pole	FMFA			
				2	
				12	
				2	
Module casing	Flexi BTS Module casing (3U)	EMHA	470316 A	1	
				2	
				1	
				1	
				4	
				2	
	Cage nuts			6 (2 loose, 4 pre-installed)	
	Maintenance straps			2	
	Grounding cable			1	
Pole mounting kit (optional)	Flexi Pole Mounting Kit	FPKA	471649 A		
				2	
				2	
				6	
				2	

Check list

- Deliveries are complete.
- Equipment is not damaged.

② Clearances

Minimum clearances

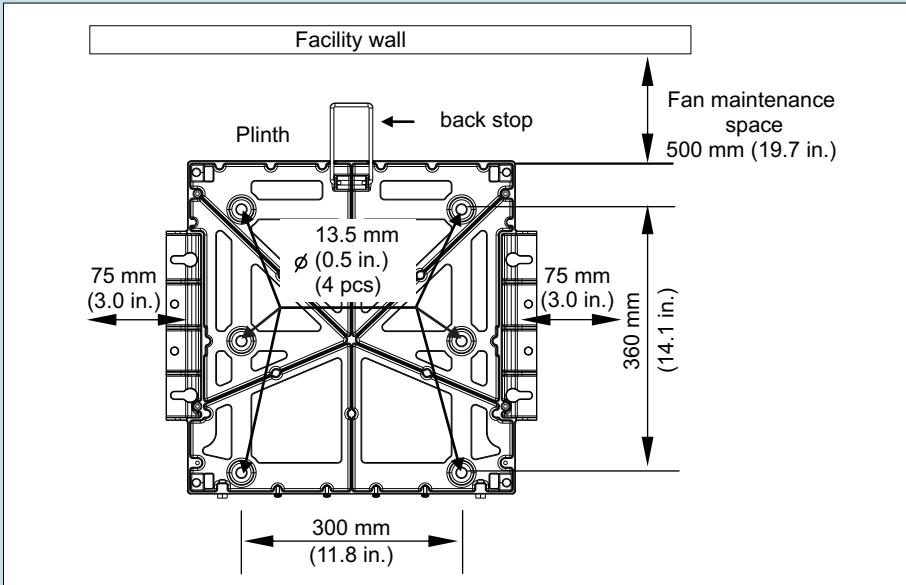


Check list

- Site meets the minimum clearances.

Note: In a stack, the minimum side clearance is 75 mm (3 in.). The recommended clearance for hand tying is 150 mm (5.9 in.).

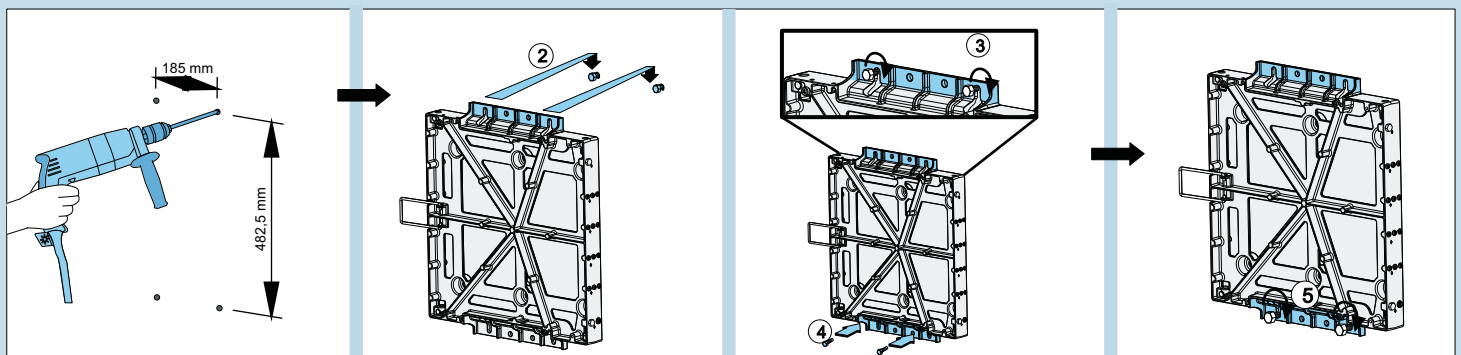
Plinth on the floor



③ Installing the plinth

1. Check the clearances around the plinth.
2. Turn the rear stopper.
3. Place the plinth on the floor, grounding points facing forward.
4. Bolt on the floor with 4 bolts, 12 mm (0.47 in.) in diameter. Tighten to 49.0 Nm (36.1 ft-lb)

Plinth on the wall



1. Mark screw locations according to the holes in the plinth and drill holes.
2. Fix the mounting screws on the wall and mount the plinth.
3. Tighten the upper mounting screws.
4. Tighten the lower mounting screws to a torque value of 49 Nm.

Note that the space required between plinths is 100 mm (3.4 inches).