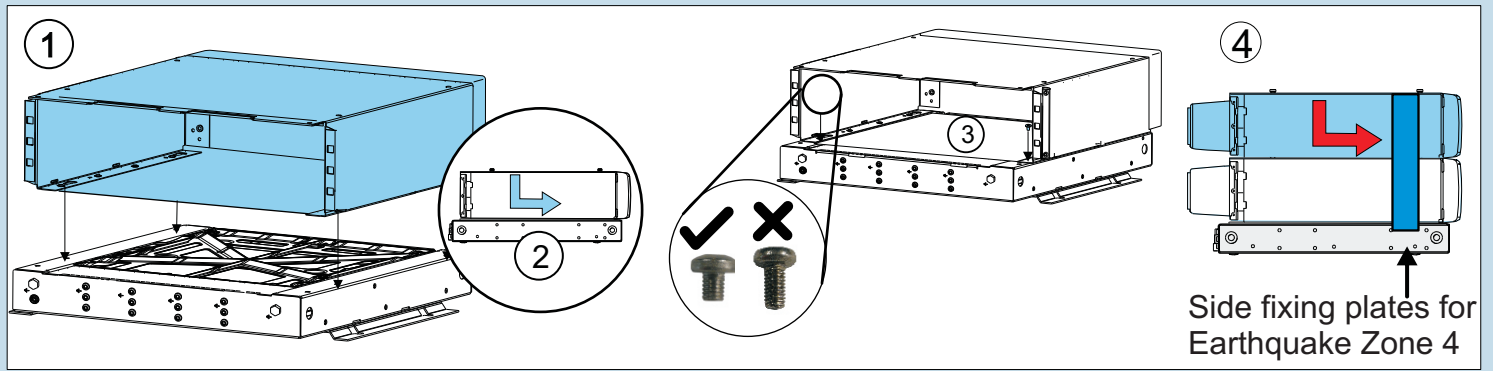


## 5 Installing the casings



### Note:

- The casings are pre-installed with back covers.
- In Earthquake Zone 4, the maximum number of modules for stack installations is five.
- In Earthquake Zone 4, install side fixing plates on the casings.
- In Earthquake Zone 2, the maximum allowed height for a stack is 22U.
- In pole and wall installations, the maximum modules per plinth is two.
- In pole and wall installations, maintenance straps must be installed in the casings.
- M5 X 8 screws should be secured with thread locking compound in pole and wall installations

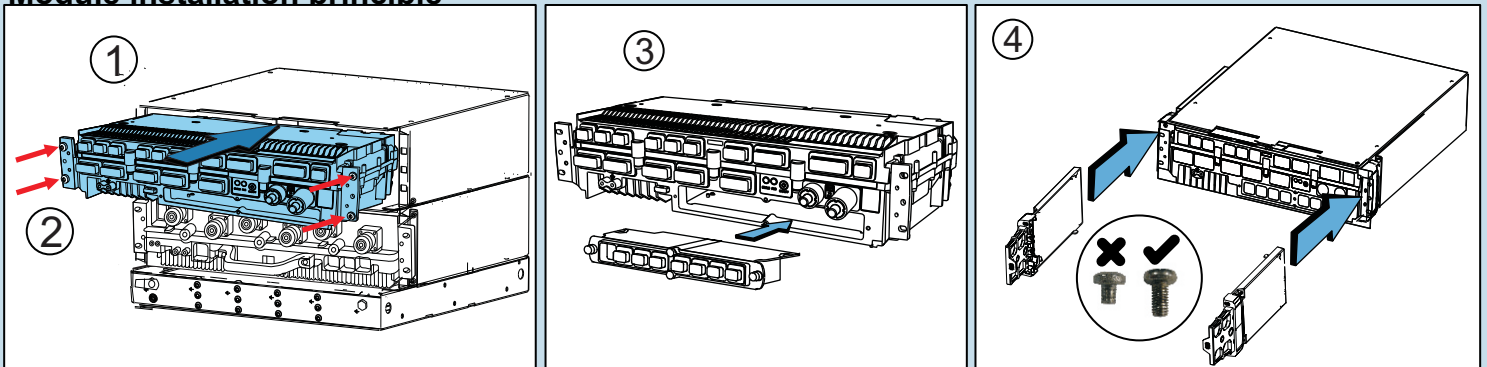
1. Align the holes of the first casing bottom with the fixing studs on the plinth
2. Push the casing back until it stops.
3. Attach the casing to the plinth with M5 X 8 mm screws (6150279). Tighten to 3.5-4.2 Nm (2.58-3.10 ft-lb)
4. Install the remaining casings as required by the configuration

### Check list

- Back covers are properly installed.
- Fixing screws are tightened.
- Optional: In pole and wall installations, maintenance straps are installed in the front covers.

## 6 Installing the modules

### Module installation principle



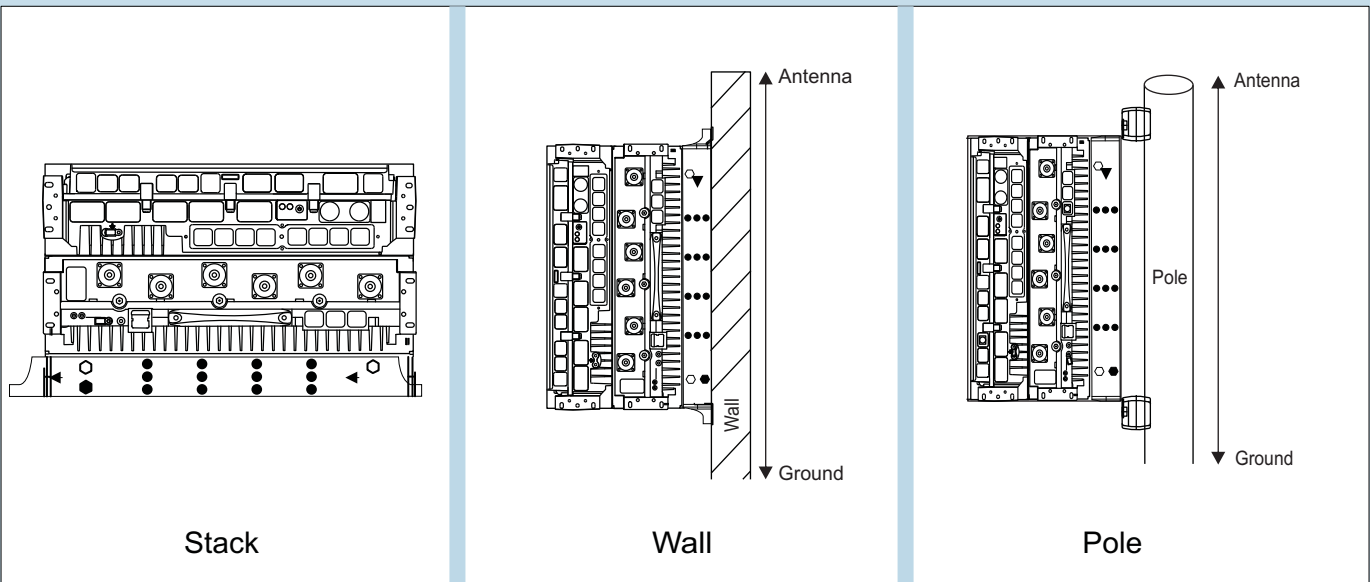
1. Slide the RF module and the System Module into the casings.
2. Attach the module(s) to the casing with M5 X 25 mm screws. Tighten to 3.5-4.2 Nm (2.58-3.10 ft-lb).
3. Install the transmission sub-module to the System Module. Tighten to 2.7-3.3 Nm (1.99-2.43 ft-lb).
4. Install the cable entries on both casings with M5 X 10 mm screws (6150240). Torque 3.5 to 4.2 Nm.  
Note: In pole and wall installations, install the maintenance strap for back covers.

### Check list

- Module back covers and cable entries are installed.
- Screws are tightened to the specified torque value.

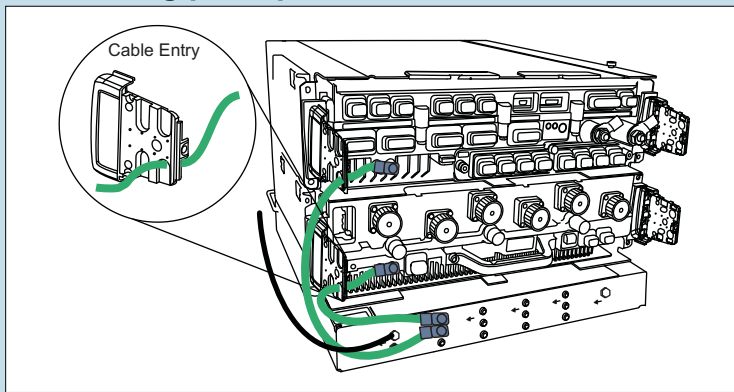
Note: In pole and wall installations, screws are secured with thread locking compound.

## Installation examples



## 7 Grounding the modules

### Grounding principle



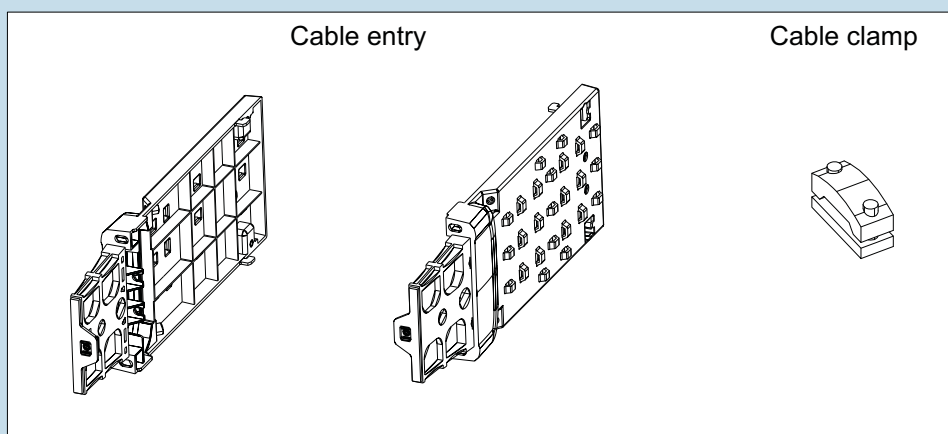
1. Connect the grounding cable to the module front panel.
2. Route the grounding cable through the cable entry.
3. Connect the other end of the cable to the plinth.
4. Repeat steps 1-3 with all the modules. Tighten to 3.5-4.2 Nm (2.58-3.10 ft-lb).

### Check list

- Modules are grounded.
- Grounding connections are tightened to the correct torque values.

## 8 Cabling

### Cable routing and cable ties



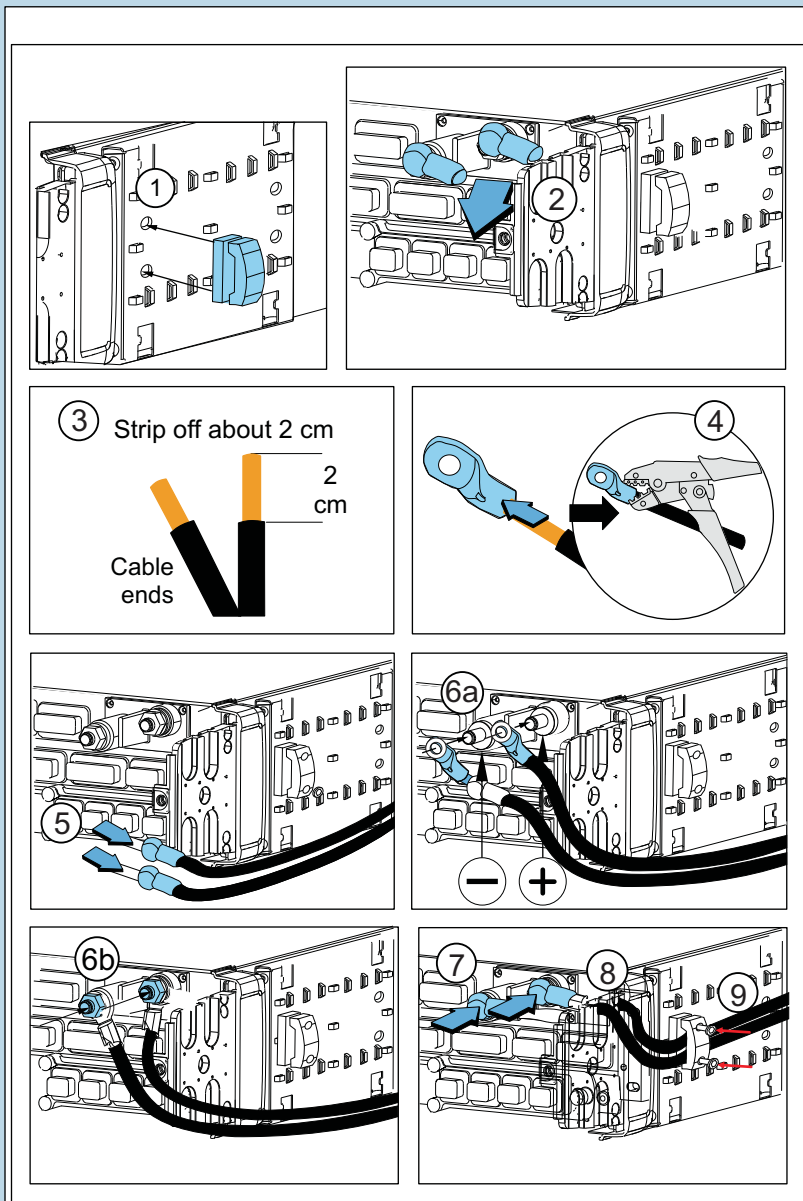
**Caution: Incorrect cables and seals may not provide secured environmental protection. Use only tested IP65 class cables with seals provided by Nokia Siemens Networks.**

1. Route the cables through cable entries.
2. Fix to cable tie points with cable ties.

# Cabling (continued)

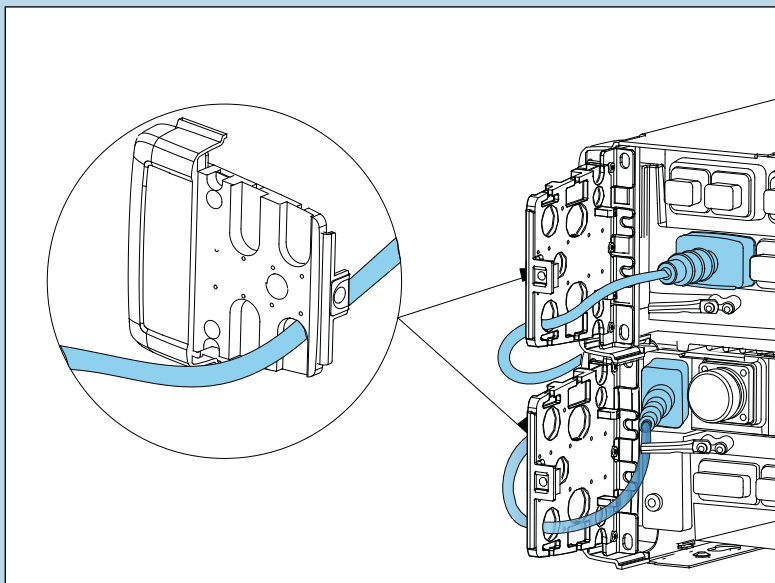
## External power cables

### Connecting external power feed to system module



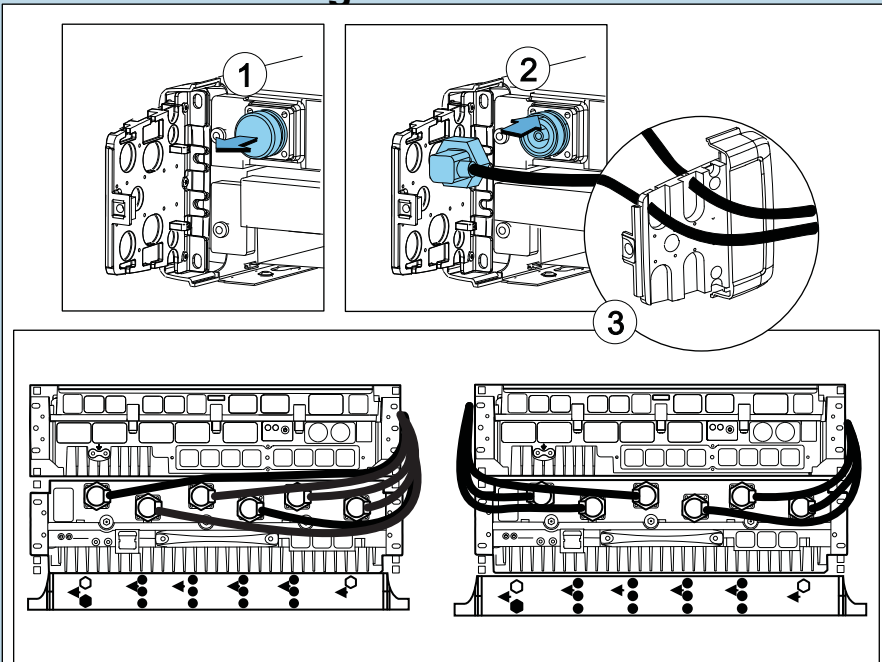
1. Install the cable clamp on the side of the casing.
2. Remove the black rubber boots, nuts, washers and cable lugs from the terminals.
3. Strip about 2 cm (.8 in) of insulation from the (+) and (-) DC cables.
4. Insert the stripped end of each cable into a cable lug and crimp.
5. Pull each cable through a rubber boot.
- 6a. Connect the (-) crimped wire to the (-) connector pole, insert washer, and tighten the nut. Connect the (+) crimped wire to the (+) connector pole, insert washer, and tighten the nut.
- 6b. Torque the M10 nuts (max 14 Nm).
7. Pull the black rubber boots over the lugs.
8. Route the cable through the external cable entry.
9. Route the power cables through the cable clamp, attach and tighten the cable clamp screws with a T10 TORX screwdriver.

## Internal power cables



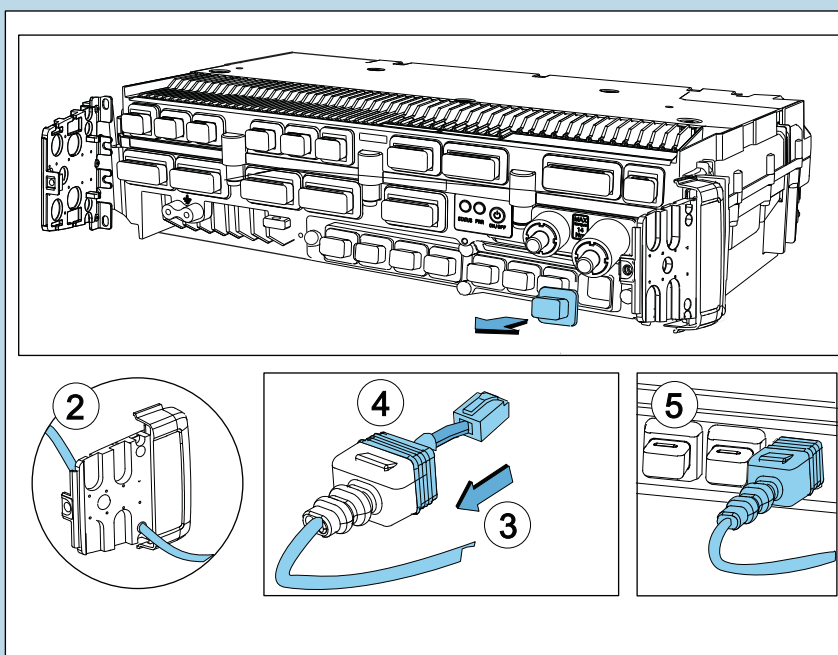
1. Remove the connector seal on the module to uncover the connector.
2. Connect the cable to the System Module.
3. Push the connector seal firmly in place.
4. Connect the other end of the internal power cable to the RF Module. Push the cable connector seal firmly in place.

## Antenna cabling



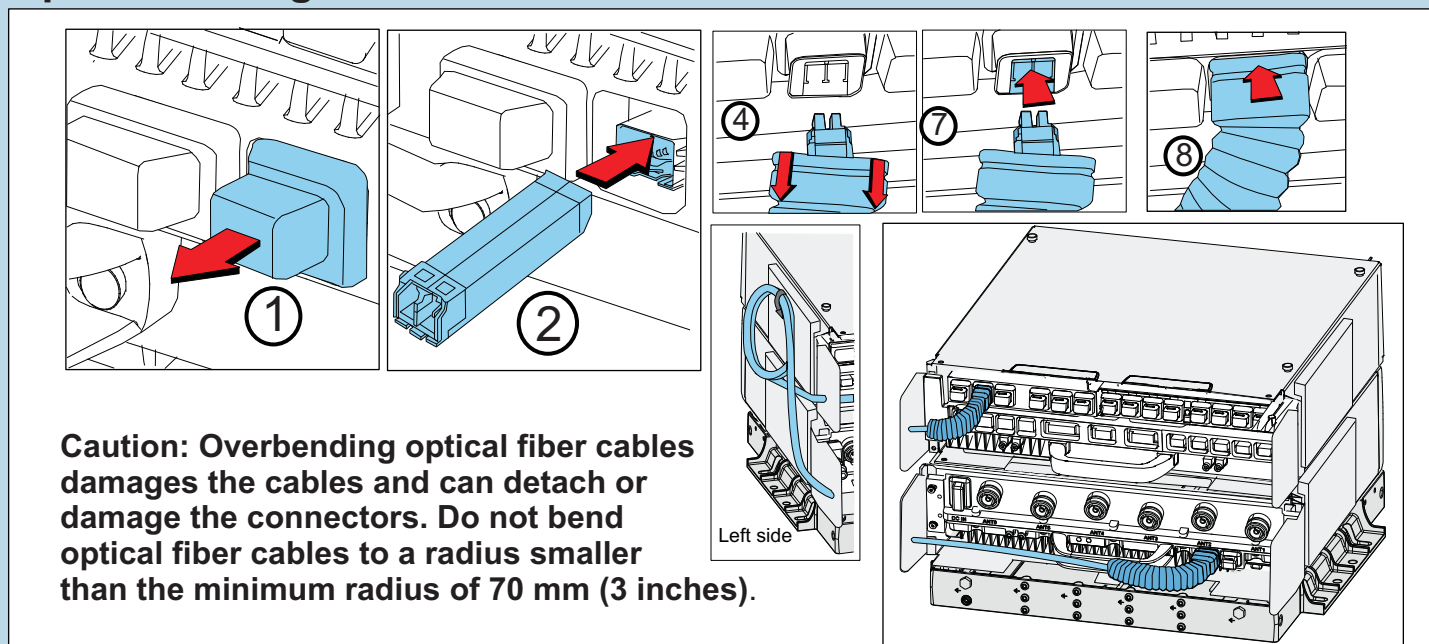
1. Remove seals from the antenna connectors. Store the connector seals for later use.
2. Connect the cable to the antenna connectors.
3. Route the antenna cables through the cable entry.
4. Tighten the connector with a torque wrench set to 25 Nm.
5. Repeat the previous steps for all antenna cables required for your configuration.

## Transmission cables



1. Remove the connector seal(s) from the connector.
2. Route the cable through the cable entry.
3. Pull back the connector seal covering the cable (Flexbus connector excluded).
4. Connect the cable to the appropriate connector.
5. Push the cable connector seal firmly in place.
6. Repeat the previous steps for all cables.
7. Make sure the that all the connector seals are properly installed.

## Optical cabling



**Caution: Overbending optical fiber cables damages the cables and can detach or damage the connectors. Do not bend optical fiber cables to a radius smaller than the minimum radius of 70 mm (3 inches).**