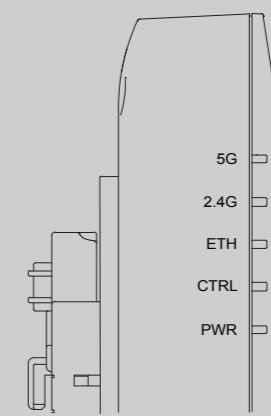
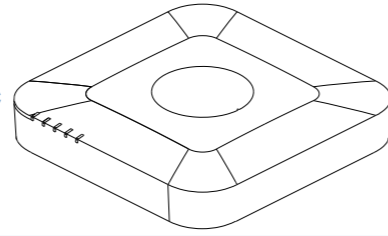


# Nokia Wi-Fi Access Point WI2A-AC200i

Thank you for buying a Nokia Wi-Fi Access Point WI2A-AC200i.

This Quick Installation Guide Nokia Wi-Fi Access Point WI2A-AC200i provides basic information and step-by-step installation instructions. Following these steps will enable you to properly install the WI2A-AC200i at your site.



## Pre-requisites

- Please read all the notes and safety statements in this guide before beginning the installation process.
- The WI2A-AC200i is designed for an indoor environment (e.g. temperature range of 0°C to 40°C, non-condensing).
- Allow 10 cm of space around the access point to ensure proper cooling.
- Install the WI2A-AC200i away from heat sources, water/wet surfaces, and strong magnetic field sources or electrical appliances (ex: microwave ovens).
- Using an incorrect power adapter may permanently damage the product.

## Legal Notices

© Nokia Solutions and Networks 2015.  
The information contained herein is subject to change without notice. The only warranties for Nokia products and services are set forth in the express warranty statements accompanying such products and services. Nothing herein should be construed as constituting an additional warranty. Nokia Solutions and Networks shall not be liable for technical or editorial errors or omissions contained herein.

## Label Statements

Label material and adhesive have been designed to last the lifetime of the product when installed in accordance with Nokia installation guidelines.

LED	Color – Indication
5 GHz	<b>Off</b> - No SSID Configured on 5 GHz <b>Green</b> - 5 GHz SSID Configured and Broadcasting <b>Red</b> - AP is locked by Controller
2.4 GHz	<b>Off</b> - No SSID Configured on 2.4 GHz <b>Green</b> - 2.4 GHz SSID Configured and Broadcasting <b>Red</b> - AP is locked by Controller
ETH	<b>Off</b> - LAN Connection Not Detected <b>Red</b> - LAN Connection Detected <b>Red blinking</b> - AP IP address Discovery process <b>Green</b> - AP IP address obtained (DHCP or Static but not factory default) <b>Green blinking</b> - LAN Activity after IP address has been obtained
CTRL	<b>Off</b> - LAN Connection Not Detected or AP IP Address not available <b>Red</b> - AP IP address available but Controller IP is being discovered or Invalid Controller IP <b>Red blinking</b> - Controller IP Available and Connection in Progress <b>Green</b> - Connected to Controller and in steady state <b>Green blinking</b> - Connected to Controller and Configuration in Progress <b>Amber blinking</b> - Connected to Controller and Software Download in Progress
PWR	<b>Off</b> - No Power to AP <b>Red</b> - Board Power On <b>Red blinking</b> - Loading Software <b>Green</b> - Software Loaded <b>Red blinking for more than 5 minutes</b> - Failure to load Software properly (if LED control is working)

## Package Contents

- Access point
- Bracket
- Logo sticker
- Quick Installation Guide
- Regulatory Information

## Tools Required

- Marker
- Measuring tape
- Screws
- Screw driver
- Hammer

## Accessories Needed

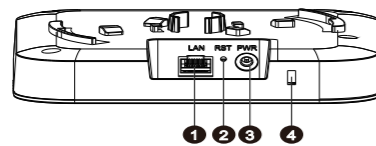
- Network cables
- POE power or DC power adapter



NOTE

1. Before unpacking the carton, ensure that the packaging is intact, not damaged or soaked.
2. Unpack the carton and check if all the items listed in the package contents are included.
3. Tools are not supplied with the WI2A-AC200i box.

## Product Overview



Number	Name	Description
1	LAN PORT	Port for Ethernet cable to connect the WI2A-AC200i to LAN and POE (if available).
2	Reset button	Used to reboot or restore WI2A-AC200i. Press and release the button to reboot WI2A-AC200i. Press and hold the button for 10 seconds to restore factory settings.
3	Power port	Port to connect a DC power supply unit if POE is unavailable.
4	Security Lock Slot	Slot for security lock and cable for theft protection.

## Specification Summary

The following table describes the physical, electrical and environmental specifications.

### Nokia WI2A-AC200i physical specification

Item	Description
Dimensions	150mm x 150mm x 30mm (without bracket)
Weight	400g

### Nokia WI2A-AC200i electrical specification

Item	Description
Power input	+12V/1A
Power consumption	≤12W

### Nokia WI2A-AC200i environmental specification

Item	Description
Working temperature	0°C ~ +40°C
Operating humidity	5% to 95% non-condensing
Dustproof and Waterproof	IP20

## Hardware Operation

The Nokia® WI2A-AC200i can be ceiling or wall mounted. Ceiling mounting is recommended. Please read the safety instructions before working with the product.

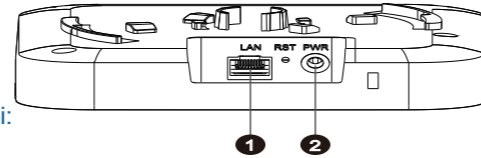


Ensure that Nokia WI2A-AC200i is securely installed. Poor installation may cause the device to fall and be damaged.

# 1

## Connecting cables

The following figure illustrates the interface and cable connections of the WI2A-AC200i:



Item	Name	Description
1	Ethernet cable	<ul style="list-style-type: none"> <li>Category-5 Enhanced Ethernet cable is recommended.</li> <li>Ensure that the WI2A-AC200i is connected to the LAN using a correct Ethernet cable.</li> <li>The WI2A-AC200i might fail to power up or work if non-standard Ethernet cable is used.</li> </ul>
2	DC Power adapter	<ul style="list-style-type: none"> <li>A DC power adapter is required only if a PoE power supply is not available.</li> <li>To connect the WI2A-AC200i to a DC power source and prevent damage, use the power adapter specified for the WI2A-AC200i.</li> </ul>

The WI2A-AC200i requires either PoE or DC power supply to operate.

To use the PoE power supply:

Connect the WI2A-AC200i to the PoE power supply (such as PoE injector or PoE switch) using an Ethernet cable.

To use the DC power supply:

Connect the WI2A-AC200i to the DC power supply.

Use only PoE and DC power supplies that meet these specifications:

PoE	PD: 12.95W, support Category-5 Enhanced 100m cable
	Voltage range: 37V~ 57V
DC Power Adapter	12 V DC nominal, +/- 5%

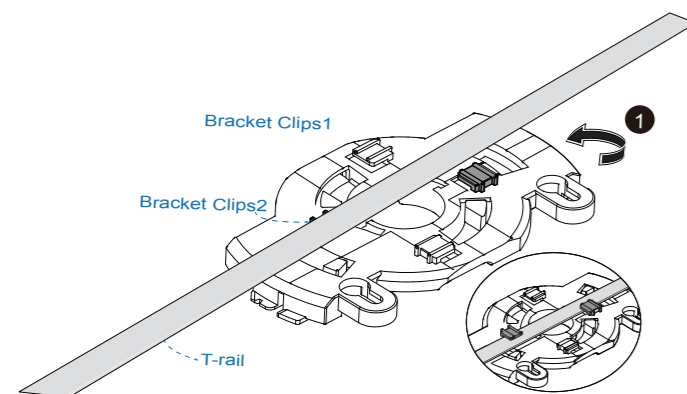
# 2

## Scenario 1: Ceiling mounting

1. Choose a pair of bracket clips to firmly mount the bracket with the T-rails.

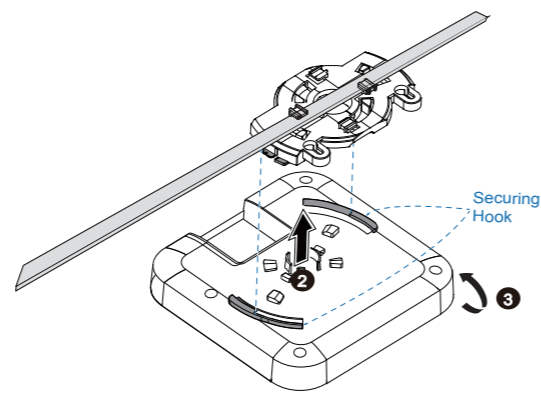


The bracket provides two pairs of clips. Select the correct pair based on the T-rail width. The following figure illustrates the bracket clips.



2. Align the securing hook of the WI2A-AC200i with the secured bracket.

3. To firmly fasten the WI2A-AC200i with the bracket, rotate the WI2A-AC200i in the anti-clockwise direction.



# 2

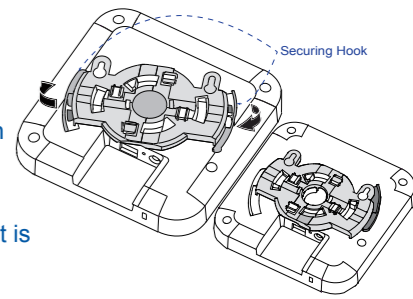
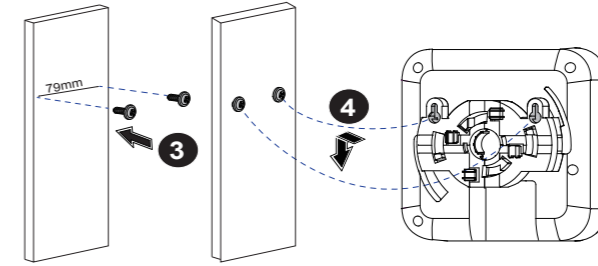
## Scenario 2: Wall mounting

1. Align the securing hook of WI2A-AC200i with the bracket.

2. To firmly fasten the WI2A-AC200i to the bracket, rotate the bracket in the clockwise direction (as shown in the figure on the right) until it completely locks into the WI2A-AC200i.

3. Drive two screws in the wall with a distance of 79mm between them.

4. Align the bracket hole with the screws, and then pull the bracket down over the screws until it is tightly fastened.



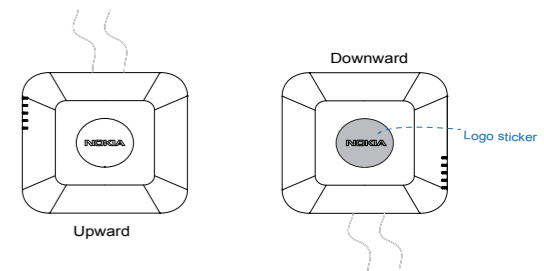
Placing of Nokia Logo sticker while wall mounting

NOTE

Recommended wall mounting for the WI2A-AC200i is with the cables run upward.

If the cables are run downward, the Nokia Logo sticker can be placed on the WI2A-AC200i to display an upright Nokia logo.

Cabling options are shown in the figure to the right.



# 3

## Installing the security lock

There is a security lock slot with an anti-theft design provided on the WI2A-AC200i.

1. Fasten the security lock cable to an immovable object.

2. Insert the security lock cable into the security lock slot of the WI2A-AC200i and then lock it.



The box does not include a security lock cable. It needs to be purchased separately.

NOTE

