

# Installing and using the Expedience Outdoor Subscriber Unit (OSU)

## **Broadband Wireless Access System**

**This document is intended for use by professional equipment installers. Subscribers of the high speed Internet service should not attempt to install the OSU.**

Expedience and LinkMonitor are trademarks of NextNet Wireless, Inc.

Other brand and product names may be registered trademarks or trademarks of their respective holders.

Part number: 104-0055-0002

©2002-2004 NextNet Wireless, Inc. All rights reserved.

THE SPECIFICATIONS AND INFORMATION REGARDING THE PRODUCTS IN THIS GUIDE ARE SUBJECT TO CHANGE WITHOUT NOTICE. ALL STATEMENTS, INFORMATION, AND RECOMMENDATIONS IN THIS GUIDE ARE BELIEVED TO BE ACCURATE BUT ARE PRESENTED WITHOUT WARRANTY OF ANY KIND. USERS MUST TAKE FULL RESPONSIBILITY FOR THEIR APPLICATION OF ANY PRODUCT.

FOR WARRANTY INFORMATION ON THE EXPEDIENCE OSU, CONTACT THE INTERNET SERVICE PROVIDER THAT SUPPLIED THE OSU.

NOTWITHSTANDING ANY OTHER WARRANTY HEREIN, ALL DOCUMENT FILES AND SOFTWARE THAT ARE PROVIDED ON THE EXPEDIENCE BROADBAND WIRELESS ACCESS MODEM CD-ROM ARE PROVIDED "AS IS" WITH ALL FAULTS. NEXTNET WIRELESS DISCLAIMS ALL WARRANTIES, EXPRESSED OR IMPLIED, INCLUDING, WITHOUT LIMITATION, THOSE OF MERCHANTABILITY, FITNESS FOR A PARTICULAR PURPOSE AND NONINFRINGEMENT OR ARISING FROM A COURSE OF DEALING, USAGE, OR TRADE PRACTICE.

IN NO EVENT SHALL NEXTNET WIRELESS OR ITS SUPPLIERS BE LIABLE FOR ANY INDIRECT, SPECIAL, CONSEQUENTIAL, OR INCIDENTAL DAMAGES, INCLUDING, WITHOUT LIMITATION, LOST PROFITS OR LOSS OF DAMAGE TO DATA ARISING OUT OF THE USE OR INABILITY TO USE THIS GUIDE, EVEN IF NEXTNET WIRELESS HAS BEEN ADVISED OF THE POSSIBILITY OF SUCH DAMAGES.

# CONTENTS

<b>Welcome</b> .....	<b>1</b>
<b>Before you begin</b> .....	<b>1</b>
Additional material required for installation .....	1
Pre-installation planning .....	1
<b>Connecting the OSU to a computer</b> .....	<b>3</b>
Installation overview .....	3
Cabling overview .....	4
<b>Installing the OSU</b> .....	<b>5</b>
Selecting an installation location for the OSU .....	5
Installation overview .....	5
Attach the mounting bracket to the outside of the building .....	6
Setting the OSU inside the mounting bracket .....	8
Partially tightening adjustment screws to hold OSU in place .....	8
<b>Running cables through building's wall</b> .....	<b>10</b>
<b>Connecting the ground wire</b> .....	<b>10</b>
<b>Installing a data line protector</b> .....	<b>11</b>
<b>Plugging in the power supply</b> .....	<b>12</b>
<b>(Optional) Finding the strongest service provider signal</b> .....	<b>12</b>
Installing the LinkMonitor program .....	12
Using the software-assisted method to find the strongest signal .....	13
Using the sound (auditory) method to find the strongest signal .....	14
<b>Setting up the computer to receive an IP address</b> .....	<b>14</b>
<b>Configuring IP address assignment for routers</b> .....	<b>16</b>
<b>Connecting to the Internet</b> .....	<b>16</b>
<b>Refreshing the OSU's connection</b> .....	<b>16</b>
Windows users: Refreshing the connection .....	16
Non-Windows users: Refreshing the connection .....	16
<b>Connecting the OSU to a network</b> .....	<b>17</b>
<b>FCC information</b> .....	<b>19</b>



# Welcome

---

This document describes how to install and use the Expedience outdoor subscriber unit (OSU) to obtain wireless high-speed Internet access. Subscribers can connect the OSU to a computer or to a small office/home office (SOHO) local area network (LAN) through a hub, switch, or router.

This document is intended for use by professional equipment installers. Subscribers of the high-speed Internet service should not attempt to install the OSU. For questions about OSU operation or installation, subscribers should contact the ISP that supplied the OSU device.

## Before you begin

---

This section describes items the installer or subscriber must purchase before the OSU is installed. This section also describes items you need to have available and things to consider before beginning the OSU installation.

### Additional material required for installation

- The subscriber's computer must be equipped with an Ethernet network interface card (NIC). The NIC is not provided with the OSU, but subscribers can purchase a NIC at most computer and electronics stores.
- An RJ-45 Ethernet cable to connect the OSU plug-in power supply with the user's computer.
- Ground wire of sufficient length to run between the OSU and a ground rod.
  - It is recommended that the ground wire be an 8 AWG, solid aluminum or copper wire.
  - It is recommended that the ground rod used be 8 feet (2.5 m) copper. Note that most buildings have an existing ground rod outside, at the main power connection site. If desired, you can install a rod into the ground outside the building.
- Anti-seize compound to be applied to the stainless steel screws that hold the OSU to the mounting bracket.
- If you mount the OSU on a brick or masonry surface, lead screw anchors are required.

### Pre-installation planning

- Find an appropriate location on the outside of the building to mount the OSU.
  - To provide Internet service, the OSU communicates with a base station on the service provider's communications tower. The service provider must provide you with information about the nearest communications tower. For example, if the tower nearest to the building is north of the building, you will install the OSU on the north side of the building.
  - Mount the OSU on a high location on the building, such as under the eaves.

- Locate the components shipped with the OSU device. Table 1 lists these components.

**Table 1 Installation kit components**

<b>Component</b>	<b>Part number</b>	<b>Quantity</b>
OSU device (vertical)	900-0055-1000	1
—OR—		
OSU device (horizontal)	900-0055-2000	1
Mounting bracket	350-0009-0010	1
1/4 X 2" lag bolt, hex HD, grade 2 Galv.	594-9907-1464	4
1/4-20 X .875 bolt, hex HD, SS	594-9909-1428	2
1/4 split lock washer, SS	596-3003-1416	2
1/4 flat washer, SS	596-3004-1420	6
Double tab washer	596-3099-1416	1
Power supply	420-0050-9000	1
Power cord	597-5120-0107 (North America) 597-5120-0207 (United Kingdom) 597-5120-0307 (Europe)	1
Ethernet/power cable 50 foot	597-6021-0050	1
Utility software CD-ROM	110-0055-0001	1

Figure 2 illustrates the OSU package contents. Components are not to scale.

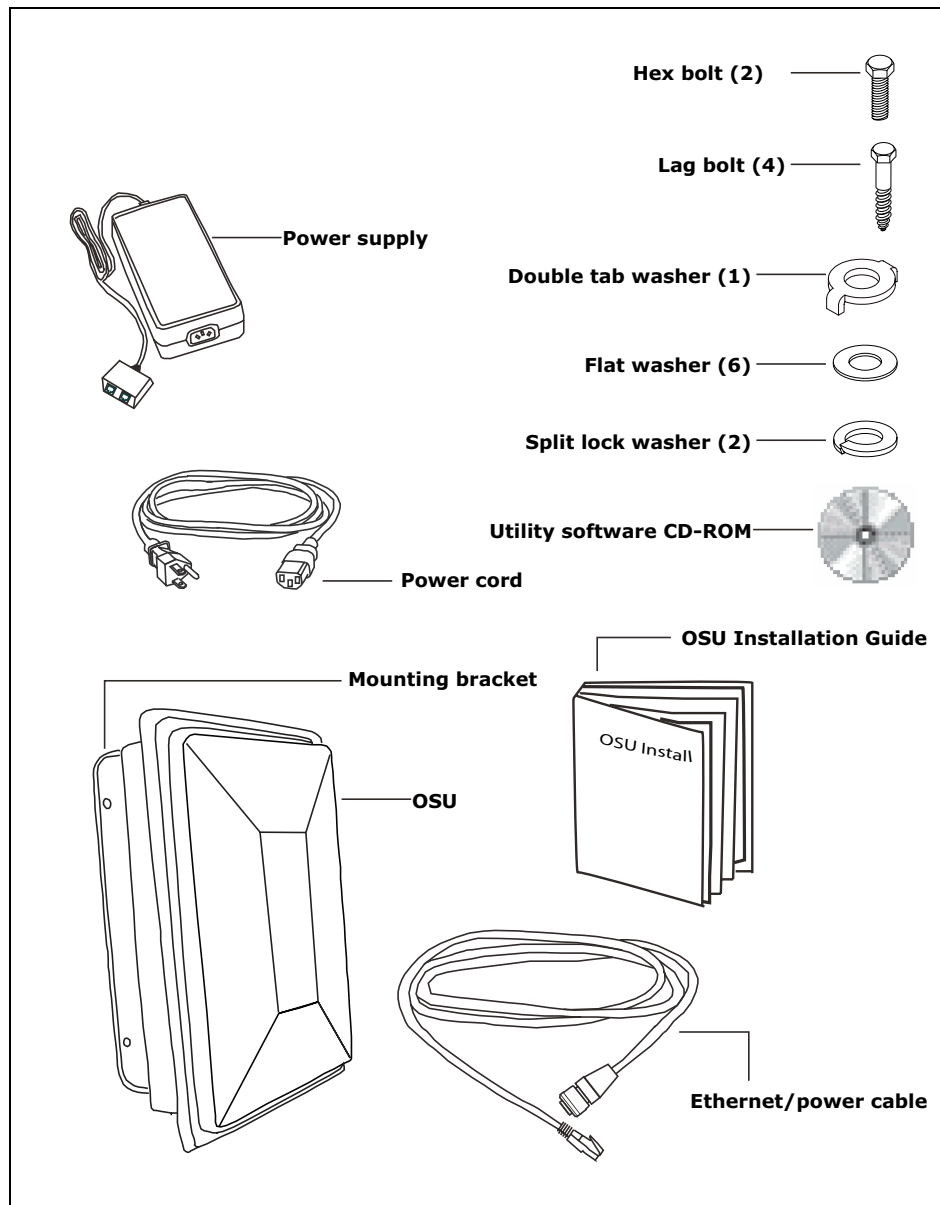


Figure 2 OSU package contents

## Connecting the OSU to a computer

This section describes how to connect the OSU to a computer.

If the OSU is to be connected to a network device (such as a router or switch), refer to the section “Connecting the OSU to a network” on page 17, in this guide.

### Installation overview

The installation consists of the following major tasks, each of which is explained in greater detail in the sections that follow:

- 1 Attach the OSU to the outside of the building.
- 2 Run the OSU power/Ethernet cable through a hole drilled through the building’s wall.
- 3 Connect the OSU ground wire.

- 4 Connect the power cord to standard household power. Connect the OSU power/Ethernet cable and the computer's Ethernet cable to the appropriate jack opening in the dual RJ-45 power supply cord.
- 5 Adjust the OSU to obtain the strongest service provider signal.
- 6 Ensure that the computer is set up to automatically obtain an IP address.
- 7 Connect to the Internet.

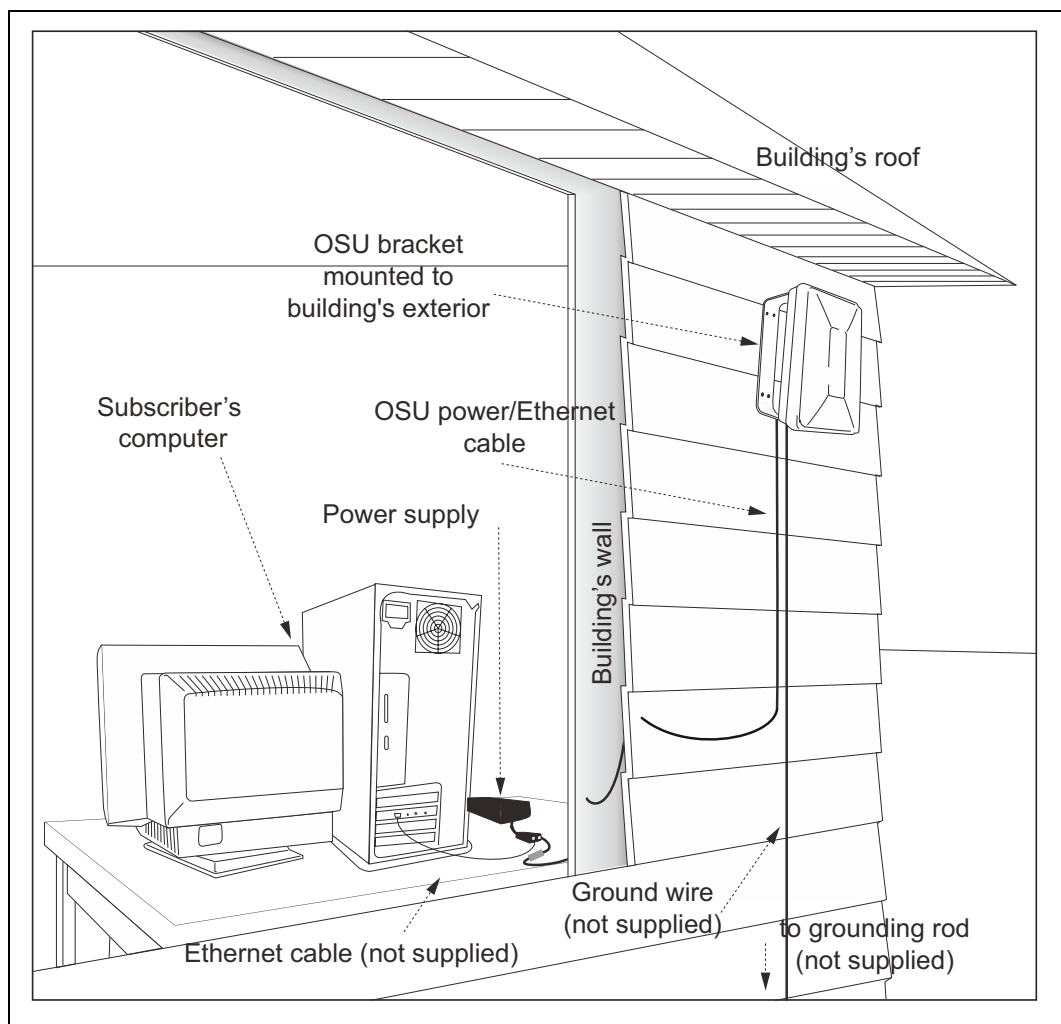
## Cabling overview

Figure 3 illustrates the routing of the ground wire, the RJ-45 Ethernet cable, and the OSU power/Ethernet cable.

---

**Note:** The ground wire, grounding rod, RJ-45 cable, anti-seize compound for the hex screws, and computer NIC are not supplied with the system.

---



**Figure 3 Connecting cables overview**



# Installing the OSU

---

This section describes how to find an appropriate installation location for the OSU and how to install the OSU on the building.

## Selecting an installation location for the OSU

It is recommended that you determine the optimum installation location for the OSU before physically mounting the OSU to the building. There are two methods you can use to determine the best installation location for the OSU.

### Using an RSU to detect signal from a base station

The first method uses a residential subscriber unit (RSU). The RSU can detect where a signal from the service provider can be received at the installation site.

Most often if you mount the OSU on the side of the building facing the service provider's base station, the OSU can detect adequate signal in order to provide high-speed Internet access. However, unless there is an obvious line of sight to the correct base station, the correct orientation of the OSU is often not apparent. There also may be practical reasons why you cannot mount the OSU on the side the building that faces the base station.

To use the RSU to determine where you might be able to install the OSU on the building, point the back of the RSU in the direction in which the OSU is to be oriented. The back of the RSU is the side without logos.

At each direction you point the RSU, note the number of blinking lights on top of the RSU. The stronger the signal that the RSU can detect, the more lights blink on and off.

After determining where signal can be detected around the building, you can then choose a corresponding OSU installation location on the building. As you attach the OSU to the building, make sure to point it in the same direction that the RSU was pointed when the RSU detected a signal.

---

**Note:** When detecting signal at the site, you must use an RSU that has the same vertical or horizontal polarization as the OSU to be installed.

---

### Using LinkMonitor application to detect signal from a base station

The second method of detecting signal from a base station uses the OSU and the LinkMonitor program that ships on the CD-ROM. The installer connects the OSU to power and to the installer's computer. Then, the installer follows the procedure described in the section "(Optional) Finding the strongest service provider signal" on page 12 in this guide.

## Installation overview

To install the OSU:

- 1** Attach the mounting bracket to the outside of the building.
- 2** Set the OSU inside the mounting bracket.
- 3** Tighten the lower mounting bolt to hold the OSU in place.

The following sections describe these steps in greater detail.

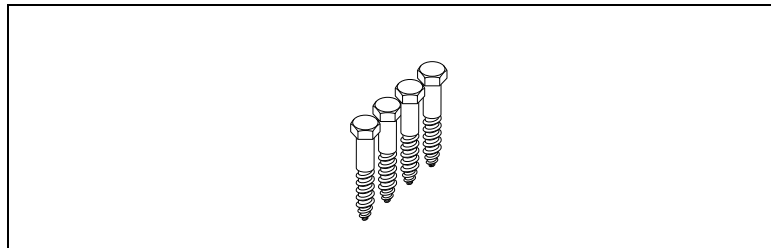
## Attach the mounting bracket to the outside of the building

- 1 Where possible, install the OSU on the side of the building that has the greatest exposure to the communications tower of the service provider.

The service provider can provide information about tower locations that can provide the OSU with greatest signal exposure.

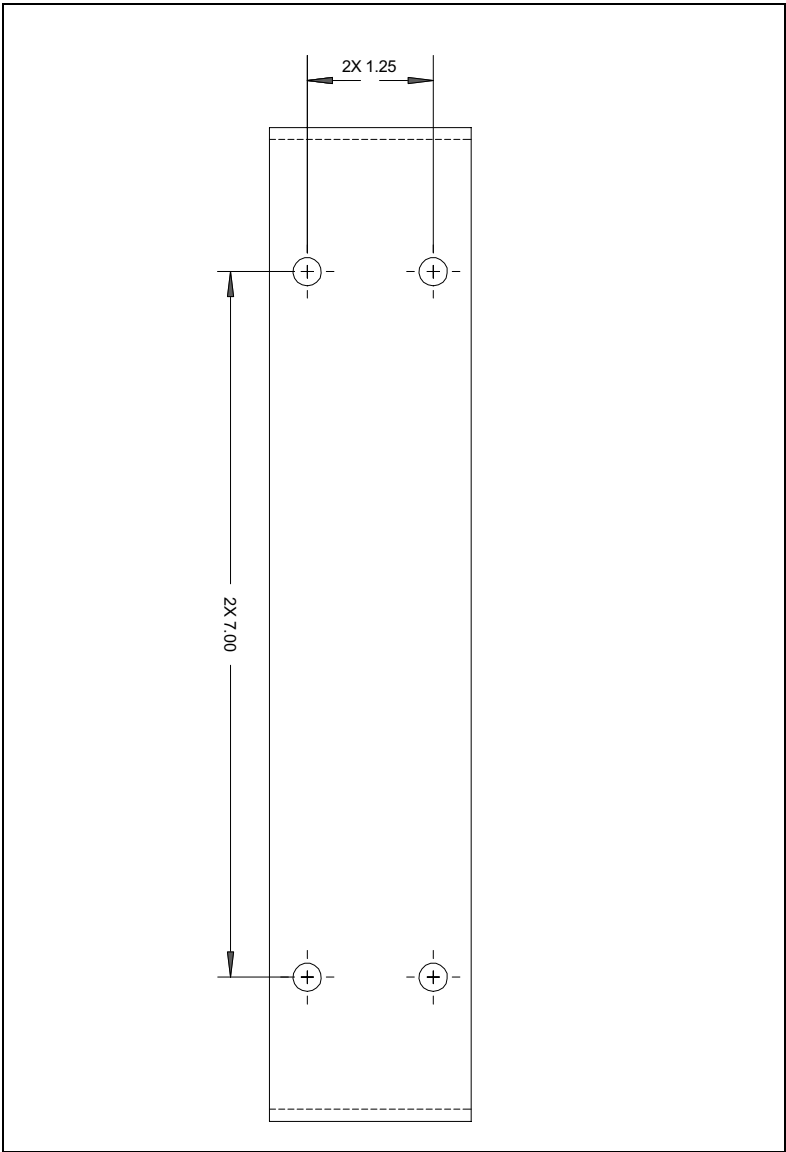
- 2 Install the mounting bracket to the building. The bracket (like the OSU) must be installed vertically.
  - Drill the two top holes 1.25 inches (3.2 cm) apart. Drill the bottom holes 7 inches (18 cm) below the top holes. Figure 5 provides a template for drilling the holes.
  - If possible, drill one upper hole and its corresponding lower hole into a stud. Do not allow the OSU to be supported by the building's siding only.
  - If installing the OSU on a brick or masonry surface, use lead screw anchors.
  - After the holes are drilled into the building, drive the screws (illustrated in Figure 4) through the holes on the mounting bracket and into the building.

Figure 4 illustrates the screws to use to attach the mounting bracket to the building.



**Figure 4** Screws to attach mounting bracket to building

Figure 5 provides dimensions for drilling holes into the side of the building.



**Figure 5 Mounting bracket dimensions**

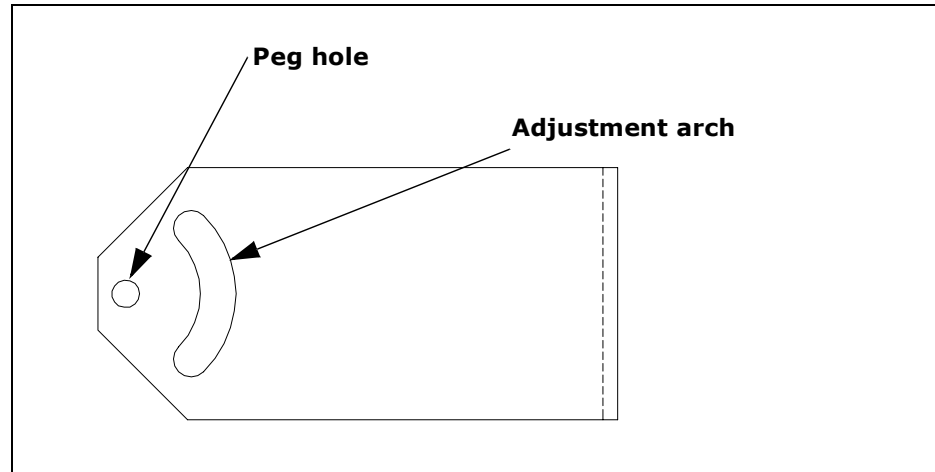
## Setting the OSU inside the mounting bracket

---

**Note:** The OSU must be installed vertically.

---

The OSU has a peg on top, and a peg on bottom. The upper and lower pegs snap into the mounting bracket's peg holes.



**Figure 6** Adjustment arch and peg hole in mounting bracket

To install the OSU in the mounting bracket:

- 1** You must install the OSU vertically. To do so, make sure the bottom of the OSU faces the earth. This is the side of the OSU labelled with a sticker “MOUNT THIS SIDE DOWN”. The sticker is illustrated in Figure 7.



**Figure 7** MOUNT THIS SIDE DOWN Sticker

- 2** On the bottom arm of the mounting bracket, snap the OSU's peg into the peg hole.
- 3** On the top arm of the mounting bracket, snap the OSU's upper peg into the adjustment arch.

To accommodate the height of the peg, you may need to lift the mounting bracket's edge up slightly.

## Partially tightening adjustment screws to hold OSU in place

To make sure the OSU doesn't slip out of the mounting bracket, partially tighten the screws in the adjustment arch.

If you still need to pivot the OSU along the adjustment arch—in order to find the strongest signal from the service provider—do not fully tighten the screws yet.

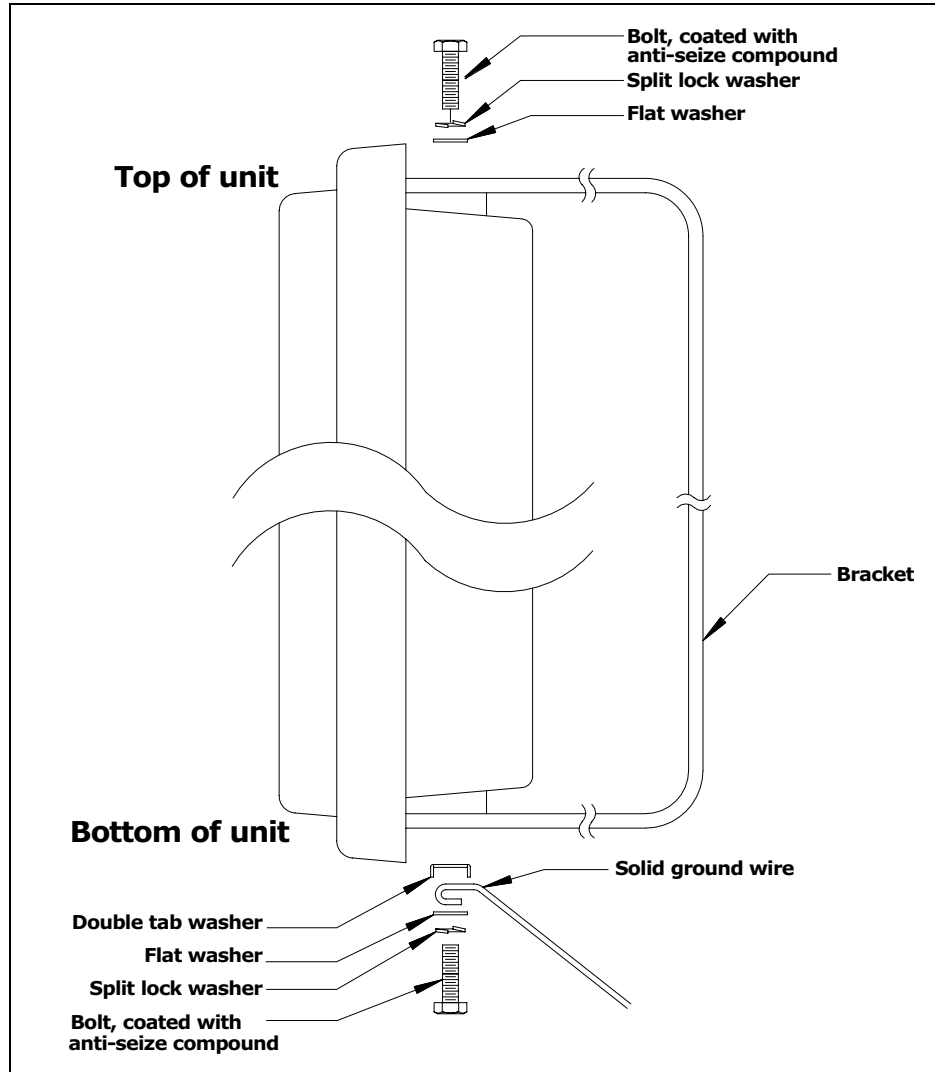
You will fully tighten the screws after finding the strongest signal from the service provider. When the screws are fully tightened, the OSU will no longer move along the adjustment arch.

---

**Note:** Before mounting the OSU in the bracket, apply an anti-seize compound to the screws used in the assembly.

---

Figure 8 illustrates how the screw, split lock, flat washer and double-tab washer are put together.



**Figure 8 Mounting bracket screw assembly**

- 1** For the top of the mounting bracket, assemble the bolt (coated with anti-seize compound), split lock washer and flat washer as shown in Figure 8.
- 2** For the bottom of the mounting bracket, assemble the bolt (coated with anti-seize compound), split lock washer, flat washer, ground wire, and double-tab washer, as shown in Figure 8.

Let the ground wire dangle to the ground.

- 3** On the upper arm of the mounting bracket, insert the bolt through the adjustment arch on the mounting bracket.
- 4** Partially tighten the bolt on the OSU to hold it in place.

- 5** On the bottom are of the mounting bracket, partially tighten the bolt on the bottom of the OSU.
- 6** Plug in the circular end of the Ethernet/power cable in the bottom of the OSU. Provide strain relief by making a loop in the cable and strapping it to the lower part of the mounting bracket.

---

**Note:** You will fully tighten both bolts in the section, “(Optional) Finding the strongest service provider signal” on page 12.

---

## **Running cables through building’s wall**

---

The power/Ethernet cable runs from inside the building to the OSU.

- 1** In the desired location, drill a 3/4 inch (18 mm) hole through the wall.
- 2** Draw one end of the RJ-45 cable through the hole.
- 3** Route the RJ-45 power/Ethernet cable to the location where the power supply is to be plugged in.
- 4** After completing the installation, seal the hole with a silicone or acrylic caulking material.

## **Connecting the ground wire**

---

The OSU must be grounded to a ground rod in the earth near your building. Make sure your ground cable does not exceed a 50 foot maximum to the ground rod.

To ground the OSU:

- 1** Connect the ground wire from the OSU to the ground rod in the ground next to the building.
- 2** Attach all wires to the building by using electrical staples. Use drip loops as needed.

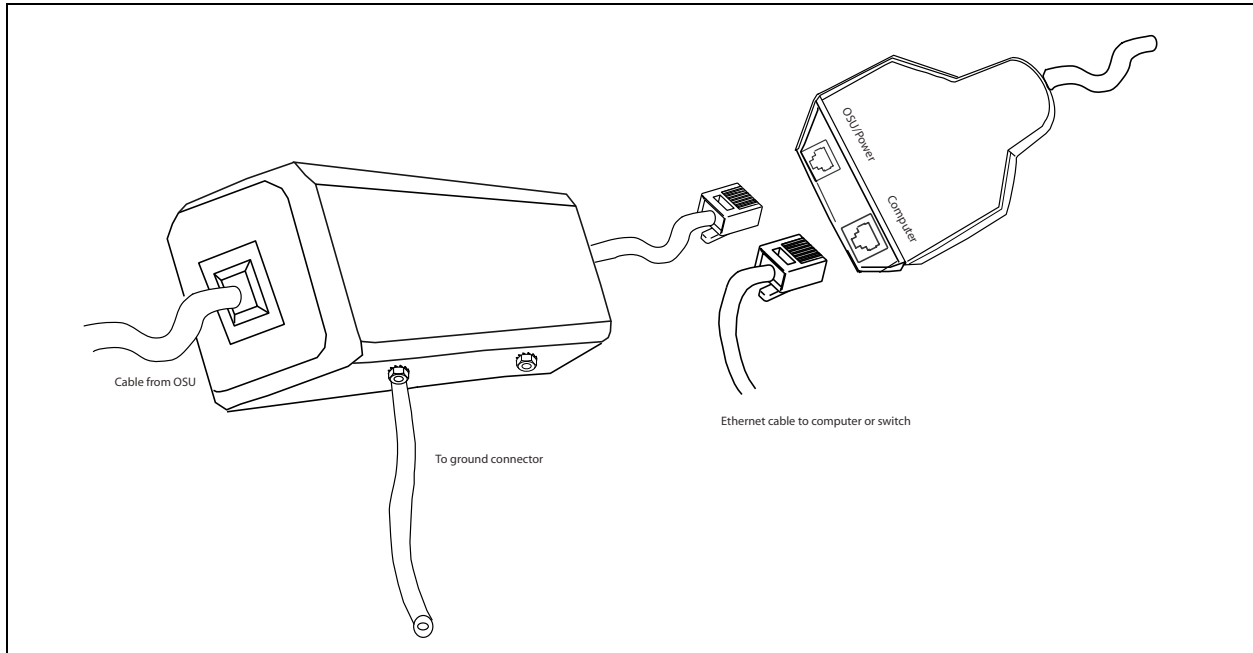
# Installing a data line protector

It is recommended that you use a data line protector to connect the OSU to the user's LAN or computer. The data line protector provides protection against static electricity and momentary lightning surges on the OSU cable and the subscriber's LAN, to the OSU, the user's computer, and other devices that may be connected to the local Ethernet LAN.

The recommended data line protector can be ordered from NextNet Wireless, using the part number 585-9000-3414.

Figure 9 illustrates how the cables are connected through the data line protector and into the power supply cord.

**Figure 9** Data line protector wiring diagram



**Note:** So that the data line protector can provide protection to the OSU and user's LAN-connected equipment, the furnished ground cable must be connected to a good earth ground or equivalent as required in article 250 of the National Electric Code. Failure to provide correct grounding to the data line protector could result in damage to the user's computer or LAN-connected equipment.

## Plugging in the power supply

---

- 1 Plug the RJ-45 cord from the OSU into the jack labelled “OSU/power” on the power supply.
- 2 Use a standard, category 5 Ethernet cable to connect the computer to the jack labelled “computer” on the power supply.

---

**Caution:** Make sure that the RJ-45 cable from the OSU and category 5 Ethernet cable to the computer or network hub are connected to the correct jacks as described in the section “Installing a data line protector,” in this manual. **If the cables are not connected correctly the OSU will not work, and damage to the user’s computer could result.**

---

- 3 The power cord uses standard household power. Plug the power cord in the power source.

## (Optional) Finding the strongest service provider signal

---

---

**Note:** The following sections describe additional methods of optimizing the orientation of the OSU, if necessary. You can use the subscriber’s computer or a laptop computer to complete these procedures.

---

The OSU is equipped with an internal antenna. To provide the best service, the OSU searches for the strongest signal transmitted by your service provider.

You can find the strongest signal from your service provider by using one of the following methods:

- Software-assisted method
- Sound (auditory) method

Both methods require you to install the LinkMonitor program

## Installing the LinkMonitor program

- 1 Locate the software CD supplied with your OSU.
- 2 Insert the CD into your computer’s CD drive. If the installation program does not start automatically, start it by clicking on the Setup.exe icon.
- 3 Follow the instructions in the dialog boxes to complete the installation of the LinkMonitor program.
- 4 After the software is installed, a blue RSU icon appears in your computer’s system tray.  
To run the LinkMonitor program, right click on the icon, and select **Open**.

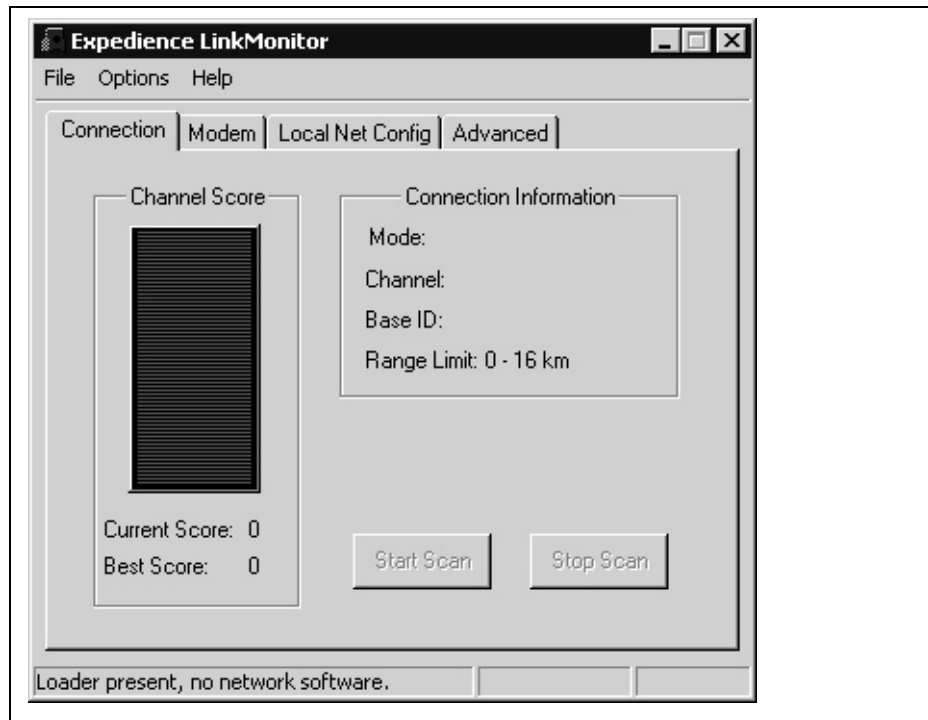
**LinkMonitor program’s icon in system tray**



**Figure 10 Starting the LinkMonitor program**



The Expedience LinkMonitor window appears (Figure 11).



**Figure 11** Expedience LinkMonitor window

## Using the software-assisted method to find the strongest signal

---

**Note:** It is beneficial to have two people perform this procedure if you want to use the subscriber's computer instead of your own laptop computer. One person will monitor software statistics inside the building. The other person will rotate the OSU outside the building.

---

To scan for the strongest signal from your service provider:

- 1 Install the LinkMonitor program as described in the section "Installing the LinkMonitor program" on page 12.
- 2 On the LinkMonitor window, click **Start Scan**.
- 3 Return to the OSU on the side of the building.
- 4 Slowly rotate the OSU along the adjustment arch. Stop the rotation at every 15 degrees for 5 seconds.

Note the score reported by the LinkMonitor program, as described in step 5.

- 5 The LinkMonitor program searches for a signal from your service provider. In the **Channel Score** group, the strength of the signal received at the starting position is indicated in two ways:
  - The indicator bar shows varying levels of red, yellow, and green. Red indicates weak signal strength, yellow indicates moderate signal strength, and green indicates strong signal strength.
  - The **Current Score** field shows the signal strength. During this procedure, the program compares the Current Score to the **Best Score**. Best Score indicates the strongest signal the program has ever seen during the scanning procedure.

- 6 Remembering the strongest signal reported, re-orient the front of the OSU in the direction that the OSU was pointed when the strongest signal was found.
- 7 Tighten the bolts fully that hold the OSU in place.
- 8 Return to the LinkMonitor program. Click **Stop Scan**.

## Using the sound (auditory) method to find the strongest signal

To use the sound (auditory) method to find the strongest signal:

- 1 Install the LinkMonitor program as described in the section “Installing the LinkMonitor program” on page 12.
- 2 On the LinkMonitor window, click **Start Scan**.
- 3 Return to the OSU outside. You should hear the OSU beeping.
  - The OSU uses beeps to indicate the strength of the signal that the OSU can detect. The strength of the signal detected is indicated by the frequency of the beeps as compared to the pause between beeps. A constant beep with no pause indicates that a strong signal is detected by the OSU. One beep followed by a long pause indicates that a signal can be found, two beeps followed by a shorter pause indicates that a stronger signal is detected, and so on.
  - If the unit beeps twice, then pauses, then beeps twice, and so on, this indicates that the unit is scanning for service. If this beeping pattern is not broken, this indicates that the OSU cannot detect a signal.
- 4 Rotate the OSU along the adjustment arch, noting how frequently the OSU beeps.
- 5 Point the OSU in the direction where the beeps are most constant.
- 6 Tighten the bolts.
- 7 Return to the LinkMonitor program and click **Stop Scan**.

## Setting up the computer to receive an IP address

---

This section describes how to set up various Windows operating systems that might run on the host computer so that the computer can receive an IP address.

You can set up the host computer or router so it can dynamically receive an IP address. If desired, the subscriber can request a static IP address for the host computer or router.

---

**Note:** If the subscriber uses a non-Windows operating system, check help file of the operating system. Most help files explain how to set up a system to use a static or dynamic IP address.

---

### Windows 95, Windows NT, Windows 98, Windows ME: Setting up the network connection

- 1 From the **Start** menu, select **Settings**. Then select **Control Panel**.
- 2 In the window that appears, double click the **Network** icon.
- 3 Select the TCP/IP entry for the NIC.
- 4 Click **Properties**.
- 5 Select the **IP Address** tab.

- 6** Perform one of the following:
  - To set up the host computer to dynamically receive an IP address from the service provider, activate the **Obtain an IP Address automatically** radio button.
  - To set up the host computer to have a static IP address:
    - a Activate the **Use the following IP address** radio button.
    - b In the **Use the Following IP Address** group, complete the fields, as appropriate.
- 7** To close the windows, click **OK**.
- 8** Turn off your computer.

## **Windows 2000: Setting up the network connection**

- 1** From the **Start** menu, select **Settings**. Then select **Network and Dial-up Connections**.
- 2** Right click the connection you want to alter; that is, the name of your NIC. From the pop-up menu, select **Properties**.
- 3** The Local Area Connection Properties window appears. Select the **Internet Protocol (TCP/IP)** item. Click **Properties**.
- 4** Perform one of the following:
  - To set up the host computer to dynamically receive an IP address from the service provider, activate the **Obtain an IP Address automatically** radio button.
  - To set up the host computer to have a static IP address:
    - a Activate the **Use the following IP address** radio button.
    - b In the **Use the Following IP Address** group, complete the fields, as appropriate.
- 5** To close the window, click **OK**.
- 6** On the remaining open window, click **OK** again.
- 7** Turn off your computer.

## **Windows XP: Setting up the network connection**

- 1** From the **Start** menu, select **Settings**. Then select **Network Connections**.
- 2** Right click the connection you want to alter; that is, the name of your NIC. From the pop-up menu, select **Properties**.
- 3** The Local Area Connection Properties window appears. Select the **Internet Protocol (TCP/IP)** item. Click **Properties**.
- 4** Perform one of the following:
  - To set up the host computer to dynamically receive an IP address from the service provider, activate the **Obtain an IP Address automatically** radio button.
  - To set up the host computer to have a static IP address:
    - a Activate the **Use the following IP address** radio button.
    - b In the **Use the Following IP Address** group, complete the fields, as appropriate.
- 5** To close the window, click **OK**.
- 6** On the remaining open window, click **OK** again.
- 7** Turn off your computer.

# Configuring IP address assignment for routers

---

For instructions on how to assign a static IP address to a router, or to set up the router to use DHCP to receive an IP address, refer to the documentation that accompanied the device.

## Connecting to the Internet

---

To connect to the Internet:

Start your Internet browser, and try to open a few Internet sites.

- If you can open numerous sites, enjoy your new, high-speed service.
- If you cannot open any sites—for example if your browser displays a message “This page cannot be displayed” for all the sites you tried to access—restart the computer OR refresh the OSU’s connection, as described in the section “Refreshing the OSU’s connection” on page 16.

## Refreshing the OSU’s connection

---

When you refresh the OSU’s connection, your service provider is assigning your computer a new IP address. You need to refresh your OSU’s connection with your service provider when your Internet browser does not let you open any Internet sites.

### Windows users: Refreshing the connection

The OSU’s connection is refreshed when you restart the computer. To refresh the connection without restarting the computer:

- 1** Make sure you have installed the LinkMonitor program.
- 2** In the system tray, right click the blue RSU icon (Figure 10) and select **Open**.
- 3** In the window that appears, on the **Local Net Config** tab, click the **Renew IP Address** button.

### Non-Windows users: Refreshing the connection

If you do **not** run the Windows operating system, you can reboot your computer to refresh the connection. You may want to refer to your operating system’s help files to determine if other methods exist to refresh the connection (that is, to find a method for refreshing the IP address).

# Connecting the OSU to a network

---

---

**Note:** Use **only one** OSU on a network. Do **not** use multiple OSUs on the same network.

---

To directly connect the OSU to a computer, use an Ethernet cable (also known as a straight-through cable).

However, to connect the OSU to a hub or switch, use an Ethernet cable appropriate for your network device. This might be a straight through or cross-over cable, depending on how your network device switches signals. When determining how to set up your network, remember that the OSU device operates as a hub or a bridge.

After connecting the OSU to the network device, power the OSU and scan for a service provider signal, as described in earlier sections of this guide.



# FCC information



NOTICE: This equipment has been tested and found to comply with the Radio Frequency Radiation Exposure Limits detailed below. A minimum of 20 centimeters (8 inches) separation between the OSU and the operator and all other persons should be maintained.

## Radio Frequency Radiation Exposure Limits

**Table 1 Limits for Maximum Permissible Exposure (MPE)**

Frequency range (MHz)	Electric field strength (V/m)	Magnetic field strength (A/m)	Power density (mW/cm <sup>2</sup> )	Averaging time (minutes)
(A) Limits for Occupational/Controlled Exposures				
0.3-3.0	614	1.63	*(100)	6
3.0-30	1842/f	4.89/f	*(900/f <sup>2</sup> )	6
30-300	61.4	0.163	1.0	6
300-1500	—	—	f/300	6
1500-100,000	—	—	5	6
(B) Limits for General Population/Uncontrolled Exposure				
0.3-1.34	614	1.63	*(100)	30
1.34-30	824/f	2.19/f	*(180/f <sup>2</sup> )	30
30-300	27.5	0.073	.2	30
300-1500	—	—	f/1500	30
1500-100,000	—	—	1.0	30

f = frequency in MHz

\* = Plane-wave equivalent power density

**Note:** NOTE 1 to Table 1: Occupational/controlled limits apply in situations in which persons are exposed as a consequence of their employment provided those persons are fully aware of the potential for exposure and can exercise control over their exposure.

Limits for occupational/controlled exposure also apply in situations when an individual is transient through a location where occupational/controlled limits apply provided he or she is made aware of the potential for exposure

**Note:** NOTE 2 to Table 1: General population/uncontrolled exposures apply in situations in which the general public may be exposed, or in which persons that are exposed as a consequence of their employment may not be fully aware of the potential for exposure or cannot exercise control over their exposure.

### Declaration of Conformity Compliance Information

#### Class B computer peripheral

This device complies with part 15 of the FCC Rules. Operation is subject to the following two conditions: (1) This device may not cause harmful interference, and (2) this device must accept any interference received, including interference that may cause undesired operation.

Responsible Party: NextNet Wireless, Inc.  
9555 James Ave. South Suite 270  
Bloomington, MN 55431  
952-929-4008

Note: This equipment has been tested and found to comply with the limits for a Class B digital device, pursuant to part 15 of the FCC Rules. These limits are designed to provide reasonable protection against harmful interference in a residential installation. This equipment generates, uses and can radiate radio frequency energy and, if not installed and used in accordance with the instructions, may cause harmful interference to radio communications. However, there is no guarantee that interference will not occur in a particular installation. If this equipment does cause harmful interference to radio or television reception, which can be determined by turning the equipment off and on, the user is encouraged to try to correct the interference by one or more of the following measures:

- Reorient or relocate the receiving antenna.
- Increase the separation between the equipment and receiver.
- Connect the equipment into an outlet on a circuit different from that to which the receiver is connected.
- Consult the dealer or an experienced radio/TV technician for help.

Note: Modification of this device may void the user's authority to operate the equipment.

This Class B digital apparatus complies with Canadian ICES-003.



# INDEX

## A

anti-seize compound **1**

## C

cable diagram **4**

computer

    NIC requirement **1**

cross-over cable **16**

## G

ground wire

    connecting **10**

grounding rod **1**

grounding wire

    recommended **1**

## I

IP address

    renewing **16**

IP address (host computer)

    refreshing **16**

## L

LAN

    connecting to OSU **16**

LinkMonitor program **12**

## M

mounting bracket

    attaching to house **6**

    drilling template **7**

    screw assembly **9**

## N

network device

    connecting to OSU **16**

NIC requirement **1**

## O

OSU

    bottom **8**

    choosing installation location **1**

    connecting to network **16**

    installing inside mounting bracket **8**

    minimum separation distance of equipment  
        and persons **19**

    package components **2**

## P

part numbers list **2**

## R

RJ-45 cable

    plugging in **12**

    running through house **10**

router

    connecting to OSU **16**

## S

service provider signal

    finding strongest **12**

switch

    connecting to OSU **16**

