

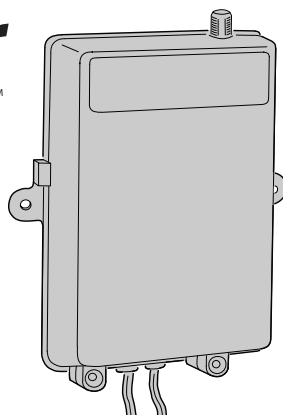
# Linear

PRO ACCESS™

## SGER

### DIGITAL GATE RECEIVER

Installation Instructions



Linear PRO Access • 3121 Hartsfield Road • Tallahassee, FL 32303  
 1.800.543.4283 • linearproaccess.com

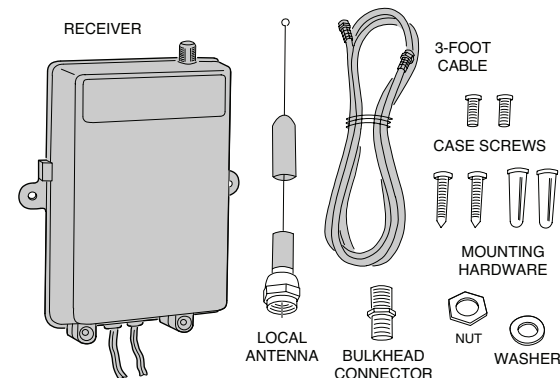
#### Description

The SGER series of digital receivers are wireless radio controls designed for use with automatic gate openers or garage door operators. The radio format provides unparalleled security. Receivers and transmitters do not contain a typical "coding switch". Each transmitter is pre-set at the factory to a unique code. The receiver is programmed by sending a signal to it from the transmitter(s) that are going to be used with it. This stores the transmitters code into the receiver's memory. The receiver will retain its memory even without power. The receiver will activate only from these "memorized" transmitters.

The receivers can operate from 10.5-30 volts DC and are normally powered from the gate operator. The relay contact(s) are rated at 5 amps @ 32 volts AC/DC NEC Class 2 circuit.

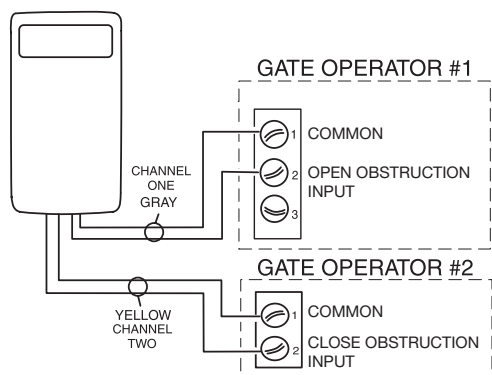
**NOTE:** SGER only works with SGET.

The SGER series has an "F" connector for attaching an antenna. The receiver is supplied with a 9-inch local antenna, a three foot 75 ohm coaxial cable, and a bulkhead connector for mounting the antenna outside the gate operator enclosure.



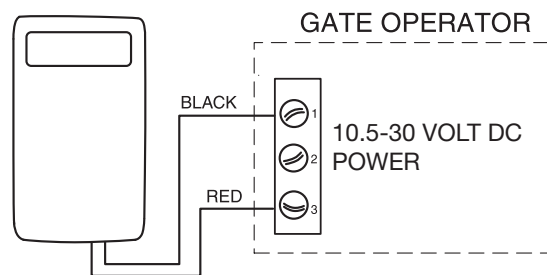
#### STEP 1 Connect receiver relay output

Connect the appropriate channel wires (Ch. 1 - two gray wires), (Ch. 2 - two yellow wires) to the appropriate activation terminals on the gate operator.



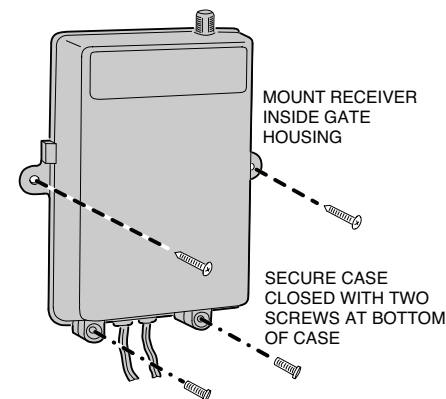
#### STEP 2 Connect receiver to power

Connect the red power input wire to the radio power and the black wire to the common terminal on the gate operator.



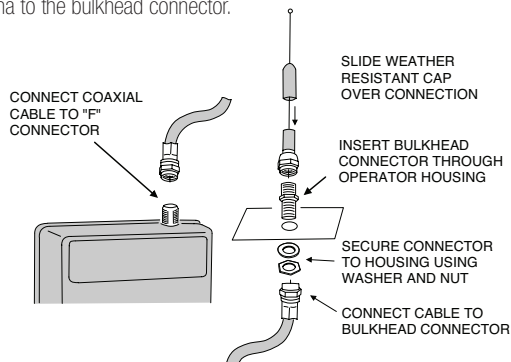
#### STEP 3 Mount the receiver

Use the screws provided to mount the receiver within the operator housing. This provides protection from the elements. Secure case with case screws.



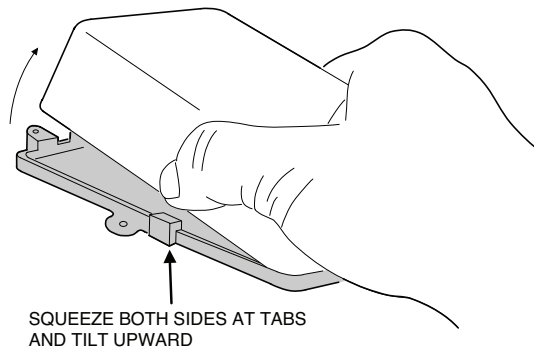
#### STEP 4 Connect antenna

Connect the coaxial cable to the "F" connector on the receiver. Drill a 3/8" hole on the top of the operator housing for the bulkhead connector. Insert the connector and secure it with the nut and lock washer. Connect the cable and antenna to the bulkhead connector.



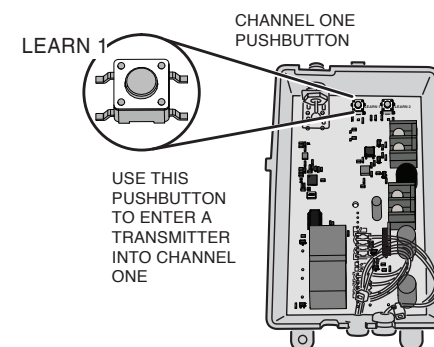
#### STEP 5 Open receiver case

To open the receiver case, remove the screws, squeeze sides of case and rotate upward.



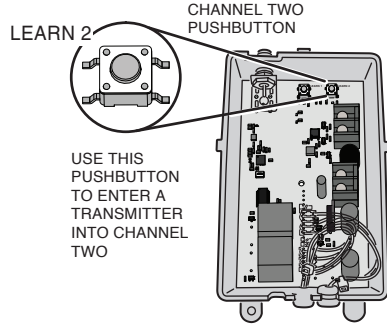
#### STEP 6a SGER channel one learn switch

The pushbutton labeled LEARN 1 is used to program transmitters to channel one.



**STEP 6b Connect antenna**

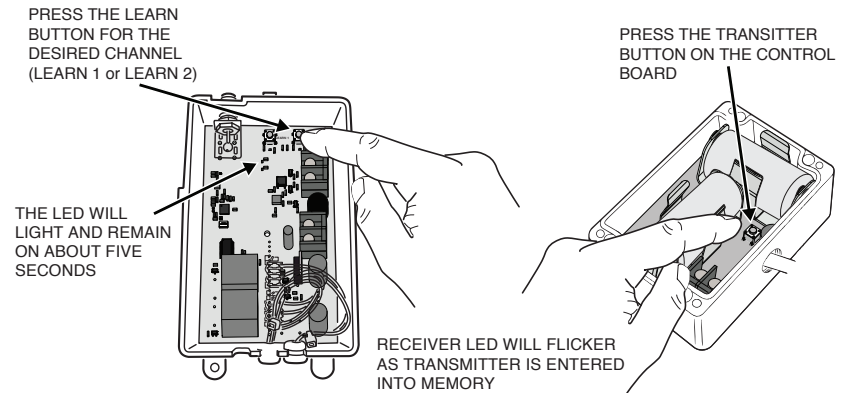
The pushbutton labeled LEARN 2 is used to program transmitters to channel two.



**STEP 7 Program the receiver**

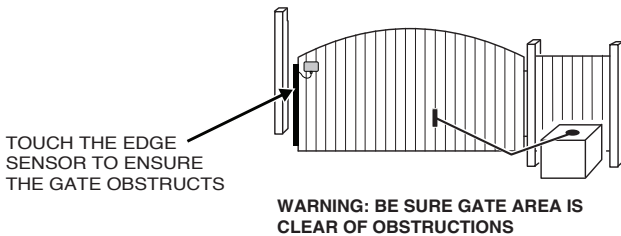
Momentarily press the receiver's program button. The red programming LED will light. The LED slowly blinks for about 60 seconds. A transmitter must be entered while the LED is on. Press the desired learn button. The LED will flicker indicating that the receiver has accepted the transmitter and channel relay will toggle.

**NOTE:** Be sure to press the receiver program button for less than 2 seconds.



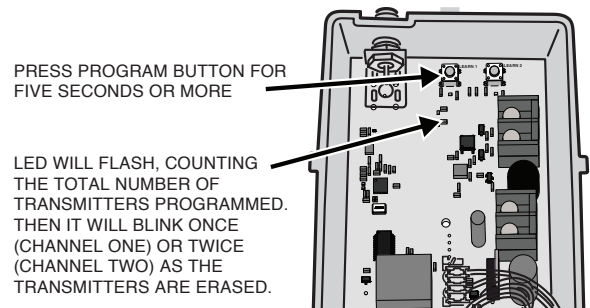
**STEP 8 Test receiver**

Be sure gate area is clear. Test the units by activating the gate and touching the edge sensor to ensure the gate obstructs.



**INFO 1 Erasing receiver memory**

Transmitters may be erased from the receiver's memory by pressing and holding the receiver's program button until the LED blinks one time as the receiver's memory is erased. Then release the program button.



**Troubleshooting**

SGER	Alarm Code	Fault?	Condition
Low Batt	1	NO	Low Battery
Open	2	YES	No resistance across TB1 and TB2 of SGET
No Ack	3	YES	SGET not able to send message (dead or too far away)
Edge	4	YES	Edge shorted

**LIMITED WARRANTY**

This Linear PRO Access (LPA) product is warranted against defects in material and workmanship for twelve (12) months. The Warranty Expiration Date is labeled on the product. This warranty extends only to wholesale customers who buy direct from LPA or through LPA's normal distribution channels. LPA does not warrant this product to consumers. Consumers should inquire from their selling dealer as to the nature of the dealer's warranty, if any. There are no obligations or liabilities on the part of LPA for consequential damages arising out of or in connection with use or performance of this product or other indirect damages with respect to loss of property, revenue, or profit, or cost of removal, installation, or re-installation. All implied warranties, including implied warranties for merchantability and implied warranties for fitness, are valid only until Warranty Expiration Date as labeled on the product. This LPA Warranty is in lieu of all other warranties express or implied. All products returned for warranty service require a Return Product Authorization Number (RPA#). Contact LPA Technical Services at 1-800-543-1236 for an RPA# and other important details

**IMPORTANT**

Linear PRO Access radio controls provide a reliable communications link and fill an important need in portable wireless signaling. However, there are some limitations which must be observed.

**WARNING:** Changes, modifications or adjustments not expressly approved by GTO Access Systems, LLC could void the user's authority to operate this equipment. There Are No User Serviceable Parts.

**NOTICE:** This device complies with part 15 of the FCC rules and with Industry Canada license-exempt RSS standard(s). Operation is subject to the following two conditions: (1) this device may not cause interference, and (2) this device must accept any interference, including interference that may cause undesired operation of the device

Le présent appareil est conforme aux CNR d'Industrie Canada applicables aux appareils radio exempts de licence. L'exploitation est autorisée aux deux conditions suivantes : (1) l'appareil ne doit pas produire de brouillage, et (2) l'utilisateur de l'appareil doit accepter tout brouillage radioélectrique subi, même si le brouillage est susceptible d'en compromettre le fonctionnement.

**DC Operator Wiring**

