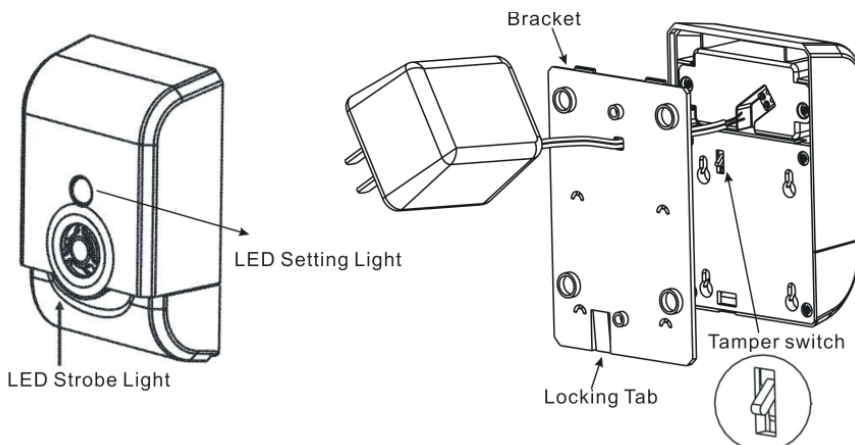




WA105DBZ-1

Radio Frequency Controlled
 Wireless Siren & Strobe



NOTE: This unit must be "included in the Network" **only where it will be permanently installed.** The proper operation of this node in the mesh network is dependent on it knowing its location with respect to other nodes. You cannot "test bench" configure this module, then install.

WA105DBZ-1 WIRELESS SIREN & STROBE

Linear's family of Z-Wave™ certified wireless lighting controls (switches, dimmers, outlets and plug-in modules) and Security devices (alert sounder, passive infrared sensor and door/window transmitter) brings a new level of intelligent wireless capability to commercial and residential environments.

The Z-Wave wireless protocol is an international wireless standard for remote home automation, security and other applications. Embedded in each device, the Z-Wave smart chip enables two-way RF communication among hundreds of Z-Wave enabled devices, allowing products and services from multiple manufacturers to work seamlessly.

Linear Z-Wave products are easy to install, and allow dealers to create an integrated wireless network with nearly limitless expansion and interoperability with security and health monitoring systems, energy management, home entertainment, appliances, and more.

As part of a Z-Wave network, the WA105DBZ-1 will also act as a wireless repeater to insure that commands intended for another device in the network are received. This is useful when the device would otherwise be out of the radio range of the wireless controller.

For indoor use only. Retain instructions for future use.

INSTALLATION

1. Remove the bracket from the siren by press the locking tab, and then gently slide up the siren.
2. Knock out the thin wall on the bracket.
3. Feed the power line from the AC adapter through the hole on bracket and connect to the screw terminal on WA105DBZ-1.

For "Inclusion" to (adding to) a network:

Refer to your Controller operating instructions to add this module under the command of the Wireless Controller.

4. Prepare the Controller to include a unit to the network by adding it to a group (method of adding a node to the network). Refer to controller instructions.
5. If your Controller supports Network Wide Inclusion (NWI) locate the WA105DBZ-1 near the proposed installation location. **If not skip to Step 8.**
6. With your Controller in Inclusion mode, plug the unit's AC adapter into an electrical socket. Note that it will take 6 to 8 hours to fully charge the internal battery backup.
7. You should see an indication on your Controller that the "device was included" in the network. It should display binary switch / Linear. The LED will stop blinking. **Skip to Step 11.** If the LED does not stop blinking, relocate the WA105DBZ-1 to within 100 feet (line of sight) of a Z-Wave device or your hub and repeat Step 6. If the LED continues to blink, your Controller does not support NWI and continue with Step 8.

8. Place the WA105DBZ-1 within 3 feet of the Controller.
 9. Plug included AC adapter into a standard wall outlet. Note that it will take 6 to 8 hours to fully charge the internal battery backup.
 10. With your controller in Inclusion mode, depress the Tamper switch for 1 second then release. The LED light will begin blinking.
 11. You should see an indication on your Controller that the "device was included" in the network. It should display binary switch / Linear. The LED will stop blinking.
 12. The device will appear in the list of Switches.
 13. Using the screws or adhesive tape affix the bracket at the chosen location.
 14. Place the WA105DBZ-1 back onto the bracket.
 15. After 5 seconds, the WA105DBZ-1 will activate Tamper mode.
- ✓ **NOTE:** If you have trouble adding the WA105DBZ-1 to a group it may be that the Home ID and Node ID were not cleared from it after testing. You must first "RESET UNIT" with your controller to remove it from the network. Although adding it to a group includes it in the network, removing it from a group does not remove it from the network. If removed from a group, it functions as a repeater (only). "RESET UNIT" removes it completely from the network.

For "Exclusion" from (removing from) a network:

1. Set up the Z-Wave™ Interface Controller into "exclusion" mode, and following its instruction to delete the WA105DBZ-1 from the controller.
2. Press the tamper switch of WA105DBZ-1 for 1 second and release to be excluded. The LED light will flash continuously when the sensor is in the Exclusion condition.

BASIC OPERATION

When triggered, the WA105DBZ-1 will trigger for 30 seconds (default setting). During that time the siren will emit a very loud pulsating audible alarm at 105 db. The integrated strobe light will also flash during the 30 seconds.

✗ **CAUTION:** This is an extremely loud siren, **do not place it near your ear.**

LED Indication

The LED on the WA105DBZ-1 will not be on during normal operation.

Remote Control

The WA105DBZ-1 will respond to BASIC and BINARY commands that are part of the Z-Wave system. Refer to your controller's instructions as to whether your controller can transmit those commands.

CONFIGURATION

The WA105DBZ-1 supports the Configuration command. The WA105DBZ-1 can be configured to operate slightly differently than how it works when you first install it. Using the Configuration command you can configure the following:

Parameter 0: Siren / Strobe Mode

By default, the siren and strobe on the WA105DBZ-1 will activate when turned on. To activate the Siren only, set parameter 0 to 1. For strobe only set to 2.

- **Parameter No: 0**
- **Length: 1 Byte**
- **Valid Values = 0 (default) or 1 or 2. Default is 0.**

Parameter 1: Auto Stop Time

By default the auto stop time is 30 seconds. Setting parameter 1 to 1 will increase the time to 60 seconds. Changing it to 2 will increase the stop time to 120 seconds. Setting the stop time to 3 will turn off the auto stop and will require a command from the Controller to turn off.

- **Parameter No: 1**
- **Length: 1 Byte**
- **Valid Values = 0 or 1 or 2 or 3. Default is 0.**

Default Setting

Each configuration Parameter can be set to its default setting by setting the default bit in the Configuration Set command. See your controller's instructions on how to do this (and if it supports it).

All configuration commands will be reset to their default state when the WA105DBZ-1 is excluded from the Z-Wave network by using the controller to reset the node.

SPECIFICATIONS

Power Supply	100 - 240 VAC, 50/60 Hz
Power Supply Output	12 V, 1A
Battery Backup	6V NiMH, 150 mA (5 day operation with no alarms)
Frequency	908.42 MHz
Audible Alarm	105 dB
Strobe	White LED with red lens
Operating Temp	5°F~140°F / -15°C~ 60°C
Repeater	Yes
Range	Up to 100 feet line of sight between the Z-Wave Controller and/or the closest Z-Wave Repeater

INTEROPERABILITY WITH Z-WAVE DEVICES

A Z-Wave network can integrate devices of various classes, and these devices can be made by different manufacturers, just as the WA105DBZ-1 can be incorporated into existing Z-Wave networks.

PACKAGE CONTENTS

- WA105DBZ-1 with Wall mounting bracket
- AC Adapter
- Foam mounting tape
- 2x mounting screws
- Installation Manual

REGULATORY INFORMATION

The WA105DBZ-1 is certified to comply with applicable FCC and IC rules and regulations governing RF and EMI emissions.

This device complies with Part 15 of the FCC Rules. Operation is subject to the following two conditions: (1) This device may not cause harmful interference, and (2) This device must accept any interference received, including interference received that may cause undesired operation.

FCC Notice

This equipment has been tested and found to comply with the limits for a Class B digital device, pursuant to Part 15 of the FCC Rules. These limits are designed to provide reasonable protection against harmful interference in a residential installation.

This equipment generates, uses, and can radiate radio frequency energy and, if not installed and used in accordance with the instructions may cause harmful interference to radio communications. However, there is no guarantee that interference will not occur in a particular installation. If this equipment does cause harmful interference to radio or television reception, which can be determined by turning the equipment off and on, the user is encouraged to try to correct the interference by one or more of the following measures:

- Reorient or relocate the receiving antenna.
- Increase the separation between the equipment and receiver
- Connect the equipment into an outlet on a circuit different from that to which the receiver is connected
- Consult the dealer or an experienced radio/TV technician to help.
- Changes or modifications not expressly approved by the party responsible for compliance could void the user's authority to operate the equipment

IC Notice

This Class B digital apparatus complies with Canadian ICES-003

Cet appareil numérique de la classe B est conforme à la norme NMB-003 du Canada. Le présent appareil est conforme aux CNR d'Industrie Canada applicables aux appareils radio exempts de licence. L'exploitation est autorisée aux deux conditions suivantes : (1) l'appareil ne doit pas produire de brouillage, et (2) l'utilisateur de l'appareil doit accepter tout brouillage radioélectrique subi, même si le brouillage est susceptible d'en compromettre le fonctionnement.

Cet appareil numérique de la classe B est conforme à la norme NMB-003 du Canada. Operation is subject to the following two conditions: (1) this device may not cause interference, and (2) this device must accept any interference, including interference that may cause undesired operation of the device.

WARRANTY

This Linear product is warranted against defects in material and workmanship for twelve (12) months. **This warranty extends only to wholesale customers** who buy direct from Linear or through Linear's normal distribution channels. Linear does not warrant this product to consumers. Consumers should inquire from their selling dealer as to the nature of the dealer's warranty, if any. **There are no obligations or liabilities on the part of Linear Corporation for consequential damages arising out of or in connection with use or performance of this product or other indirect damages with respect to loss of property, revenue, or profit, or cost of removal, installation, or reinstallation.** All implied warranties, including implied warranties for merchantability and implied warranties for fitness, are valid only until Warranty Expiration Date as labeled on the product. **This Linear LLC Warranty is in lieu of all other warranties express or implied.** All products returned for warranty service require a Return Product Authorization Number (RPA#). Contact Linear Returns at 1-855-546-3351 for an RPA# and other important details.

IMPORTANT !!!

Linear radio controls provide a reliable communications link and fill an important need in portable wireless signaling. However, there are some limitations which must be observed.

- For U.S. installations only: The radios are required to comply with FCC Rules and Regulations as Part 15 devices. As such, they have limited transmitter power and therefore limited range.
- A receiver cannot respond to more than one transmitted signal at a time and may be blocked by radio signals that occur on or near their operating frequencies, regardless of code settings.
- Changes or modifications to the device may void FCC compliance.
- Infrequently used radio links should be tested regularly to protect against undetected interference or fault.
- A general knowledge of radio and its vagaries should be gained prior to acting as a wholesale distributor or dealer, and these facts should be communicated to the ultimate users.