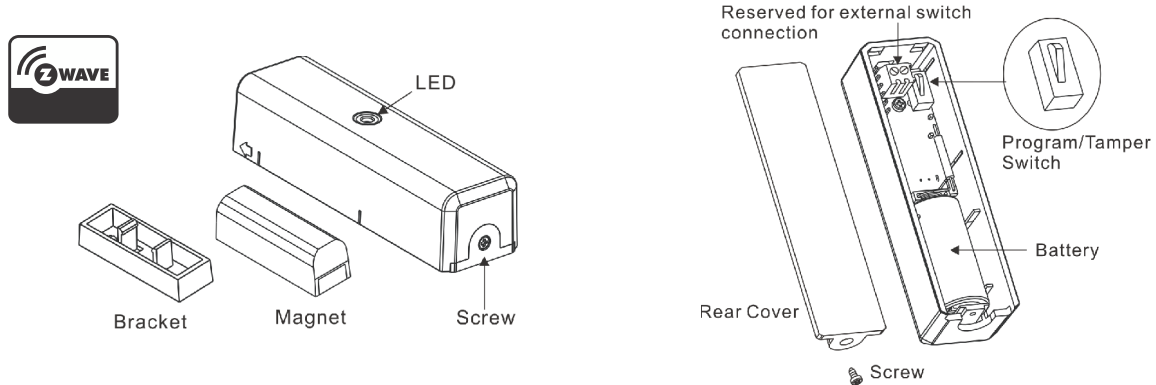




GoControl™

WADWAZ5-1

Z-Wave Radio Frequency (RF) Controlled
Wireless Door / Window Sensor



NOTE: This unit must be added to the Network **only where it will be permanently installed**. The proper operation of this node in the mesh network is dependent on it knowing its location with respect to other nodes. You cannot "test bench" configure this unit, then install.

WADWAZ-1 WIRELESS DOOR / WINDOW SENSOR

Linear's family of Z-Wave™ certified wireless lighting controls (switches, dimmers, outlets and plug-in modules) and Security devices (alert sounder, passive infrared sensor and door/window transmitter) brings a new level of intelligent wireless capability to commercial and residential environments.

The Z-Wave wireless protocol is an international wireless standard for remote home automation, security and other applications. Embedded in each device, the Z-Wave smart chip enables two-way RF communication among hundreds of Z-Wave enabled devices, allowing products and services from multiple manufacturers to work seamlessly.

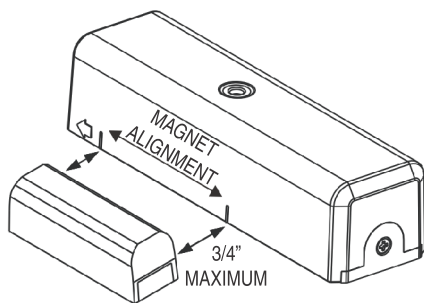
Linear Z-Wave products are easy to install, and allow dealers to create an integrated wireless network with nearly limitless expansion and interoperability with security and health monitoring systems, energy management, home entertainment, appliances, and more.

The WADWAZ-1 sensor monitors a door or window and sends Z-Wave signals when the door is opened or closed.

For indoor use only. Retain instructions for future use.

INSTALLATION

If installing an entire Z-Wave system for the first time, refer to the installation guide of the Z-Wave Interface Controller before installing the door/window sensor.



Magnet Gap Distance

For "Inclusion" to (adding to) a network:

Refer to your Controller operating instructions to add this module under the command of the Wireless Controller.

1. Unscrew the screw fastening the rear cover and slide the rear cover down.
2. Insert a CR123A battery into the battery compartment and LED will start to flash slowly, which means the sensor has not yet performed "inclusion" with the Controller.
3. Prepare the Controller to include a unit to the network by adding it to a group (method of adding a node to the network). Refer to the Controller instructions.
4. If your Controller supports Network Wide Inclusion (NWI) locate the WADWAZ-1 near the proposed installation location. **If not skip to Step 6.**
5. With your Controller in Inclusion mode, you should see an indication on your Controller that the "device was included" in the network. It should display binary switch / Linear. The LED will stop blinking. **Skip to Step 9.**

If the LED does not stop blinking, relocate the WADWAZ-1 to within 100 feet (line of sight) of a Z-Wave device or your hub and repeat Step 5. If the LED continues to blink, your Controller does not support NWI and continue with Step 6.

6. Place the WADWAZ-1 within 3 feet of the Controller.
7. With your Controller in Inclusion mode, depress the Program switch for 1 second then release.
8. You should see an indication on your Controller that the "device was included" in the network. It should display binary switch / Linear. The LED will stop blinking.
9. The device will appear in the list of Switches.

✓ **NOTE:** If you have trouble adding the WADWAZ-1 to a group it may be that the Home ID and Node ID were not cleared from it after testing. You must first "RESET UNIT" with your Controller to remove it from the network. Although adding it to a group includes it in the network, removing it from a group does not remove it from the network. If removed from a group, it functions as a repeater (only). "RESET UNIT" removes it completely from the network.

For "Association" with another device:

The door/window sensor supports one association group with up to 5 nodes.

1. Set up the Z-Wave™ Interface Controller into "association" mode, and following its instruction to associate the WADWAZ-1 with another device.
2. Open the door/window sensor case to "wake" the unit. In the Controller, associate the sensor with the other device.
3. Close the door/window sensor case.

For "Exclusion" from (removing from) a network:

1. Set up the Z-Wave™ Interface Controller into "exclusion" mode, and following its instruction to delete the WADWAZ-1 from the Controller.
2. Press the Program switch of WADWAZ-1 for 1 second and release to be excluded. The LED light will flash continuously when the sensor is in the Exclusion condition.

PRINTER'S INSTRUCTIONS:

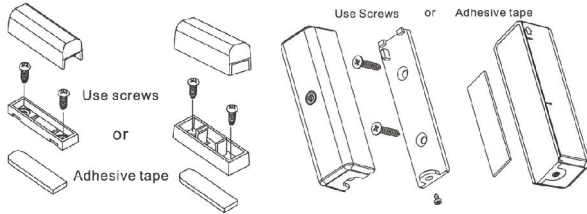
INSTR,INSTL,WADWAZ-1,GO CONTROL; P/N: 10008919 X1; INK: BLACK; MATERIAL: 20# MEAD BOND; SIZE: 8.500" x 11.000"; TOLERANCE ± .125"; SCALE: 1-1; PAGE 2 OF 2

FCC Part 15.21 information

You are cautioned that changes or modifications not expressly approved by the party responsible for compliance could void your authority to operate the equipment.

Mounting

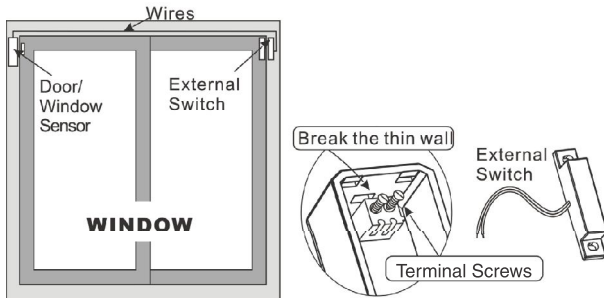
1. Use the screws or adhesive tape to attach the rear cover to the frame along the opening edge of the door or window.
2. Attach the magnet to the door or window adjacent to the marks on the sensor (see illustration) **BE SURE THE MAGNET IS NO FURTHER THAN 3/4" FROM THE SENSOR WHEN THE DOOR OR WINDOW IS CLOSED.**



External Contact

To monitor an additional opening, an external normally closed switch contact can be connected to the sensor's external input terminals.

1. To allow clearance for the external contact wires, break out the thin plastic wall of the sensor case near the terminals.
2. Loosen the two terminal screws, insert the wires from the external contact into the two terminals and tighten the two screws.



BASIC OPERATION

- During normal operation with the door or window closed, the detector's red LED will be off.
- When the magnet moves away from the sensor as the door or window opens, the sensor will send an alarm signal to any associated nodes and the red LED will flash once.
- When the magnet moves back towards the sensor as the door or window closes, the sensor will send a restore signal to any associated nodes and the red LED will flash once.
- The sensor is equipped with a tamper switch. If the sensor is removed from the mounting plate, it will send a tamper alarm signal and the red LED will light constant.

See the table below for the alarm signal types and values.

Alarm Type	Internal Switch	0x07
	Tamper Switch	
	External Switch	
Alarm Event	Internal Switch	0x02
	Tamper Switch	0x03
	External Switch	0xFE
Alarm Level	Internal Switch	Close: 0x00; Open 0xFF
	Tamper Switch	0xFF
	External Switch	Close: 0x00; Open 0xFF

SPECIFICATIONS

Battery: CR123A Lithium Battery
Signal (Frequency): 908.42 MHz
Operating Temp 5°F - 140°F / -15°C ~ 60°C
Range: Up to 100 feet line of sight between the Controller and or closest Z-Wave Receiver module.

Z-Wave® and Z-Wave Plus® are registered trademarks of Sigma Designs and its subsidiaries in the United States and other countries.

REGULATORY INFORMATION

The WADWAZ-1 is certified to comply with applicable FCC and IC rules and regulations governing RF and EMI emissions.

This device complies with part 15 of the FCC Rules. Operation is subject to the following two conditions: (1) This device may not cause harmful interference, and (2) This device must accept any interference received, including interference that may cause undesired operation.

FCC Notice

This equipment has been tested and found to comply with the limits for a Class B digital device, pursuant to Part 15 of the FCC Rules. These limits are designed to provide reasonable protection against harmful interference in a residential installation.

This equipment generates, uses, and can radiate radio frequency energy and, if not installed and used in accordance with the instructions may cause harmful interference to radio communications. However, there is no guarantee that interference will not occur in a particular installation. If this equipment does cause harmful interference to radio or television reception, which can be determined by turning the equipment off and on, the user is encouraged to try to correct the interference by one or more of the following measures:

- Reorient or relocate the receiving antenna.
- Increase the separation between the equipment and receiver
- Connect the equipment into an outlet on a circuit different from that to which the receiver is connected
- Consult the dealer or an experienced radio/TV technician to help.
- Changes or modifications not expressly approved by the party responsible for compliance could void the user's authority to operate the equipment

IC Notice

This Class B digital apparatus complies with Canadian ICES-003

Cet appareil numérique de la classe B est conforme à la norme NMB-003 du Canada. Le présent appareil est conforme aux CNR d'Industrie Canada applicables aux appareils radio exempts de licence. L'exploitation est autorisée aux deux conditions suivantes: (1) l'appareil ne doit pas produire de brouillage, et (2) l'utilisateur de l'appareil doit accepter tout brouillage radioélectrique subi, même si le brouillage est susceptible d'en compromettre le fonctionnement.

This device complies with the Industry Canada license exempt RSS standard(s). Operation is subject to the following two conditions: (1) this device may not cause interference, and (2) this device must accept any interference, including interference that may cause undesired operation of the device.

WARRANTY

What is Covered?

Nortek Security & Control ("NS&C") warrants to consumers who purchase this product for personal, family or household purposes new from NS&C directly or from an authorized NS&C dealer, that the product will be free from defects in materials and workmanship for a period of (1) year from the date of purchase. This warranty only applies if the product is installed at a residence in the 50 United States or District of Columbia, and only at the site of the original installation. It is not transferable. This warranty is not extended to resellers.

If a defect exists, NS&C will have you ship the defective part or product to us and we will, at our option, either repair or replace it.

This warranty does not cover defects or damages caused by improper handling, maintenance, storage, installation, removal or re-installation, misuse, non-factory authorized modification or alteration, use of incompatible accessories, electrical power problems or surges, impact by foreign objects, accident, fire, acts of God, normal wear and tear or shipping damage other than a shipment from NS&C. Note that all NS&C products are designed to be installed, removed and serviced by trained individuals or professionals.

Keep your original sales receipt as it will be required to obtain warranty service.

This warranty shall not be extended or restarted upon receipt of any repaired or replacement part or product under this warranty. No person is authorized to extend or otherwise modify this warranty.

How do I Obtain Warranty Service?

To obtain warranty service, email our Returns Department at returns@nortek.com. Include your name, address, telephone number, the model number of your product, a copy of your original sales receipt, and a description of the problem. Unless we need to discuss the situation further with you, you will be emailed a Return Authorization Number and shipping instructions. If we need to discuss the situation further with you, we will call or email you. NS&C may require troubleshooting on installed product before a Return Authorization Number is issued. Anything shipped to us without a Return Authorization Number will be automatically returned unopened. You are responsible for the charges for shipment to us, unless you are a California resident.

Limitations

THE DURATION OF ANY IMPLIED WARRANTY, INCLUDING THE WARRANTIES OF MERCHANTABILITY AND FITNESS FOR A PARTICULAR PURPOSE, SHALL NOT EXCEED THE WARRANTY PERIOD PROVIDED HEREIN.

Some states do not allow limitations on how long an implied warranty lasts, so the above limitation may not apply to you.

NS&C SHALL NOT BE LIABLE FOR ANY INCIDENTAL OR CONSEQUENTIAL DAMAGES RESULTING FROM THE BREACH OF ANY WRITTEN OR IMPLIED WARRANTY.

Some states do not allow limitations on how long an implied warranty lasts, so the above limitation may not apply to you.

This warranty gives you specific legal rights, and you may also have other legal rights which vary from State to State.

IMPORTANT !!!

Radio controls provide a reliable communications link and fill an important need in portable wireless signaling. However, there are some limitations which must be observed.

- For U.S. installations only: The radios are required to comply with FCC Rules and Regulations as Part 15 devices. As such, they have limited transmitter power and therefore limited range.
- A receiver cannot respond to more than one transmitted signal at a time and may be blocked by radio signals that occur on or near their operating frequencies, regardless of code settings.
- Changes or modifications to the device may void FCC compliance.
- Infrequently used radio links should be tested regularly to protect against undetected interference or fault.
- A general knowledge of radio and its vagaries should be gained prior to acting as a wholesale distributor or dealer, and these facts should be communicated to the ultimate users.

NORTEK
 SECURITY & CONTROL
 USA & Canada (800) 421-1587 & (800) 392-0123
 (760) 438-7000 - Toll Free FAX (800) 468-1340
 www.nortekcontrol.com