



GSM0308PB001

Enfora Enabler III-G Integration Guide

Version: DRAFT

Enfora, Inc.
661 E. 18th Street Plano Texas 75074
www.enfora.com

Document Title:	Enfora Enabler III-G Modem Integration Guide
Version:	DRAFT
Date:	1/31/07
Status:	DRAFT
Document Control ID:	GSM0308PB001

General

All efforts have been made to ensure the accuracy of material provided in this document at the time of release. However, the items described in this document are subject to continuous development and improvement. All specifications are subject to change without notice and do not represent a commitment on the part of Enfora, Inc. Enfora, Inc. will not be responsible for any loss or damages incurred related to the use of information contained in this document.

This product is not intended for use in life support appliances, devices or systems where a malfunction of the product can reasonably be expected to result in personal injury. Enfora, Inc. customers using, integrating, and/or selling this product for use in such applications do so at their own risk and agree to fully indemnify Enfora, Inc. for any damages resulting from illegal use or resale.

Copyright

Complying with all applicable copyright laws is the responsibility of the user. Without limiting the rights under copyright, no part of this document may be reproduced, stored in or introduced into a retrieval system, or transmitted in any form or by any means (electronic, mechanical, photocopying, recording or otherwise), or for any purpose, without the express written permission of Enfora, Inc.

Enfora may have patents, patent applications, trademarks, copyrights or other intellectual property rights covering subject matter in this document. Except as expressly provided in any written license agreement from Enfora, the furnishing of this document does not give you any license to these patents, trademarks, copyrights or other intellectual property.

©2002, 2003, 2004, 2005, 2006, 2007 Enfora, Inc. All rights reserved.

Enabler and Spider are either registered trademarks or trademarks of Enfora, Inc. in the United States.

Table of Contents

1. SAFETY PRECAUTIONS	1
1.1. IMPORTANT SAFETY INFORMATION	1
2. REGULATORY COMPLIANCE FCC	1
2.1. INTEGRATION CONSIDERATIONS AND INSTALLATION REQUIREMENTS	1
2.2. DISCLAIMER	3
3. MANUAL OVERVIEW	4
3.1. REVISION HISTORY	4
3.2. REFERENCE DOCUMENTS	5
3.2.1. <i>Enfora Enabler III-G Product Documentation</i>	5
3.2.2. <i>GSM Device Specifications</i>	6
3.2.3. <i>US Government</i>	6
3.2.4. <i>Federal Communications Commission (FCC)</i>	6
3.2.5. <i>FCC Office of Engineering and Technology (OET)</i>	6
3.2.6. <i>Industry Canada</i>	7
3.2.7. <i>Environmental Regulations</i>	7
3.2.8. <i>Mechanical Specifications</i>	7
3.2.9. <i>RF and EMI Specifications</i>	7
4. INTRODUCTION	8
4.1. PRODUCT OVERVIEW	8
4.2. KEY FEATURES OF THE ENABLER III MODULE	8
4.3. PROVIDING MULTI-BAND OPERATION	10
4.4. WIRELESS DATA APPLICATION POSSIBILITIES	10
4.5. GSM/GPRS SYSTEM OVERVIEW	11
4.6. SUMMARY OF FEATURES FOR THE ENABLER III-G MODULE	13
4.7. GENERAL LAYOUT GUIDELINES FOR ENFORA GSM MODULES	15
5. TECHNICAL SPECIFICATIONS	16
5.1. ENABLER III-G MODULE BLOCK DIAGRAM	16
5.2. DETAILED PRODUCT SPECIFICATIONS	17
CLIMATIC: STORAGE AND TRANSPORTATION	17
MECHANICAL: STORAGE AND TRANSPORTATION	17
MECHANICAL: PROPOSED STANDARDS	17
ELECTROMAGNETIC EMISSIONS	17
5.3. OPERATING POWER	18
5.3.1. <i>GSM Operating Power</i>	18
5.3.2. <i>GPRS Operating Power</i>	18
5.3.3. <i>Typical Input Current</i>	19
5.3.4. <i>GSM Transmit Power</i>	19
5.3.5. <i>GSM Receiver Sensitivity</i>	20
6. MECHANICAL	21
6.1. MODULE MOUNTING TO HOST BOARD (REFERENCE)	25
6.2. CONNECTORS	27
6.3. RF CONNECTION OPTIONS	27
6.3.1. <i>Coaxial Connector Option</i>	27
6.3.2. <i>RF Board-to-Board Connector Option</i>	27
6.3.3. <i>I/O Connector Pin Assignments</i>	28
6.4. CIRCUIT PROTECTION	30
6.5. ANTENNA	30

6.6.	CONTROL CONNECTOR SIGNAL DESCRIPTIONS AND FUNCTIONS	31
6.6.1.	Module Power (Pins 85, 87, 79, 91, 93, 95, 97, 99)	31
6.6.2.	Ring Indicate.....	31
6.6.3.	Using the Power Control Signal.....	32
6.6.4.	Level Translation Reference Power (Pin 77).....	37
6.6.5.	USB (Pins 1, 3, 5, 7, 9).....	37
6.6.6.	LED A (Pin 8) & B (Pin 6), VRWLED (Pin 10).....	39
6.6.7.	LED VRW (Pin 10)	41
6.6.8.	General Purpose Input/Output Interface.....	42
6.6.9.	Power Control (Pin 35)	43
6.6.10.	RTC Sleep	43
6.6.11.	Serial Interfaces & Handshake (Pins 11, 13, 15, 17, 19, 21, 23, 25).....	43
6.6.12.	MCSI – Multi-Channel Serial Interface (Pins 12, 14, 16, 18).....	44
6.6.13.	I ² C (Pins 48, 50).....	45
6.6.14.	Serial Port Interface (SPI) (Pins 20, 22, 24, 26, 28, 30).....	46
6.6.15.	Keyboard (Pins 27, 29, 31, 32, 33, 34, 36, 38, 40, 42).....	47
6.6.16.	V _{BACKUP} Input (Pin 83).....	48
6.6.17.	Using VBAK.....	49
6.6.18.	32 kHz output (Pin 56).....	49
6.6.19.	13 MHz output (Pin 52).....	49
6.6.20.	Analog-To-Digital Input (Pin 74).....	50
6.6.21.	Handset Microphone Input (Pins 65, 67).....	50
6.6.22.	Handset Microphone Bias Output (Pin 63).....	50
6.6.23.	Handset Speaker Output (Pins 71, 73).....	51
6.6.24.	Headset Microphone Input (Pin 55).....	52
6.6.25.	Headset Microphone Bias Output (Pin 53).....	52
6.6.26.	Headset Speaker Output Left & Right (Pins 57, 59).....	53
6.6.27.	Headset Output Common Mode (Pin 61).....	53
6.6.28.	Headset Detect (Pin 47).....	54
6.6.29.	Audio Mixer input (Pins 49, 56)	55
6.7.	SUBSCRIBER IDENTITY MODULE (SIM) CARRIER	56
6.7.1.	SIM Integration for the Enfora Enabler III-G Module	56
6.7.2.	Using a Remote SIM with the Enfora Enabler III-G Module (Pins 76, 78, 80, 82, 84).....	56
7.	GSM/GPRS MODES OF OPERATION	59
7.1.	ENABLING THE TRANSMISSION MODES FOR THE GSM/GPRS SERVICES	59
7.2.	VOICE COMMUNICATION	59
7.3.	CIRCUIT-SWITCHED DATA	59
7.4.	SMS: SHORT MESSAGE SERVICES.....	60
8.	SIM OPERATION	61
8.1.	PROVISIONING THE SIM	61
8.2.	GSM SERVICES SUPPORTED BY THE ENFORA ENABLER III-G MODULE	61
8.3.	GPRS SERVICES SUPPORTED BY THE ENFORA ENABLER III-G MODULE	61
8.4.	SELECTING THE GSM MODES OF OPERATION	62
9.	SOFTWARE INTERFACE.....	63
9.1.	SOFTWARE INTERFACE.....	63
9.2.	FORMAT FOR THE AT COMMANDS	64
9.3.	ENFORA AT COMMAND SET	65
9.4.	ENFORA PACKET APPLICATION PROGRAMMING INTERFACE	65
9.4.1.	UDP-API Architecture.....	65
9.5.	ENFORA MODEM CONTROL LIBRARY ARCHITECTURE	67
9.5.1.	Using Port Library	68
9.5.2.	Using Messaging Library	68

9.5.3.	Using Modem Library.....	70
10.	SETUP AND INITIALIZATION.....	70
10.1.	GENERAL SETUP.....	70
10.1.1.	HyperTerminal Configuration for Enabler III-G module.....	70
10.1.2.	Initialization (AT Command Interface).....	72
10.1.3.	Initial Response to the AT Command.....	73
10.1.4.	Sending an Initialization String to the Enfora Enabler III-G Module.....	73
10.1.5.	Setting Up the Communication Mode for the Enfora Enabler III-G Module.....	74
10.1.6.	Querying the Status of the Enfora Enabler III-G Module.....	75
10.1.7.	Setting Module Reporting Parameters for GSM and GPRS.....	75
10.2.	GSM/SMS EXAMPLES.....	75
10.2.1.	Initialize the Enfora Enabler III-G Module to Send and Receive SMS Text Messages.....	75
10.2.2.	Managing SMS Messages.....	75
10.2.3.	Data Call Configuration.....	75
10.2.4.	Voice Call Configuration.....	75
10.3.	GPRS PACKET EXAMPLES.....	75
10.3.1.	GPRS ATTACH and ACTIVATE.....	75
10.3.2.	Windows PPP Setup.....	75
11.	INTEGRATION AND TESTING.....	76
11.1.	INTEGRATING THE ENFORA ENABLER III-G MODULE.....	76
12.	APPENDIX A.....	79
LIMITED WARRANTY.....		79
12.1.	SCOPE.....	79
12.1.1.	Hardware.....	79
12.2.	SOFTWARE.....	79
12.3.	OTHER CONSIDERATIONS.....	80
13.	APPENDIX B - REGULATIONS AND COMPLIANCE.....	82
13.1.	GCF/PTCRB APPROVAL (FORMERLY FTA).....	82
13.2.	ELECTROMAGNETIC COMPATIBILITY (EMC) AND SAFETY REQUIREMENTS.....	82
13.3.	EMC/SAFETY REQUIREMENTS FOR THE USA.....	82
13.4.	HUMAN EXPOSURE COMPLIANCE STATEMENT.....	83
13.5.	COMPLIANCE WITH FCC REGULATIONS.....	83
13.6.	UNINTENTIONAL RADIATORS, PART 15.....	84
13.7.	INTENTIONAL RADIATORS, PART 22 & 24.....	84
13.8.	INSTRUCTIONS TO THE ORIGINAL EQUIPMENT MANUFACTURER (OEM).....	85
13.8.1.	OEM Responsibilities for All Products Containing the Enabler III-G module.....	87
13.8.2.	Specific OEM Responsibilities for Portable Products and Applications.....	88
13.8.3.	Specific OEM Responsibilities for Mobile Products and Applications.....	88
13.8.4.	Specific OEM Responsibilities for Fixed Products and Applications.....	88
13.9.	EMC/SAFETY REQUIREMENTS FOR THE COUNTRIES OF THE EUROPEAN UNION (EU).....	89
13.10.	EMC/SAFETY REQUIREMENTS FOR OTHER COUNTRIES.....	89
14.	APPENDIX C - GLOSSARY AND ACRONYMS.....	90
15.	APPENDIX D – TABLES AND FIGURES.....	92
16.	APPENDIX E - CONTACTING ENFORA.....	93

1. Safety Precautions

1.1. Important Safety Information

The following information applies to the devices described in this manual. Always observe all standard and accepted safety precautions and guidelines when handling any electrical device.

- Save this manual: it contains important safety information and operating instructions.
- Do not expose the Enfora Enabler III-G product to open flames.
- Ensure that liquids do not spill onto the devices.
- Do not attempt to disassemble the product: Doing so will void the warranty. With the exception of the Subscriber Identification Module (SIM), this product does not contain consumer-serviceable components.

2. Regulatory Compliance FCC

2.1. Integration Considerations and Installation Requirements

The Enabler III-G modem is designed for use in a variety of host units, "enabling" the host platform to perform wireless data communications. However, there are certain criteria relative to integrating the modem into a host platform such as a PC, laptop, handheld or PocketPC[®], monitor and control unit, etc. that must be considered to ensure continued compliance with FCC compliance requirements.

- In order to use the Enabler III-G modem without additional FCC certification approvals, the installation must meet the following conditions:
 - Maximum RF output power and antenna gain to meet Maximum Permissible Exposure Requirements: GSM850 mode: Power at antenna port is +32 dBm. The maximum gain is 4.5 dBi(2.35 dBd). GSM1900 mode: Power at antenna port is 31.3 dBm. The maximum gain is 2 dBi in order to meet the requirements of maximum 2 watts EIRP for mobile transmitters. If RF power and/or antenna gain is desired, a separate FCC certification is required.
 - If used in a "portable" application such as a handheld or body worn device with the antenna less than 20 cm (7.9 in.) from the human body when the device is operating, then the integrator is responsible for passing additional "as installed" testing and the device will require it's own FCC ID:
 - SAR (Specific Absorption Rate) testing, with results submitted to the FCC for approval prior to selling the integrated unit. If unable to meet SAR requirements, then the host unit must be restricted to "mobile" use (see below).
 - Unintentional emissions, FCC Part 15; results do not have to be submitted to the FCC unless requested, although the test provides substantiation for required labeling (see below).
 - ERP and EIRP measurements for FCC Parts 22 and 24, alternatively a full retest on FCC Parts 22 and 24 can be performed

- If used in a "mobile" application where the antenna is normally separated at least 20 cm (7.9 in) from the human body during device operation, then an appropriate warning label must be placed on the host unit adjacent to the antenna. The label should contain a statement such as the following:

WARNING
RF exposure. Keep at least 20 cm (7.9 in) separation distance from the antenna and the human body.

- Host unit user manuals and other documentation must also include appropriate caution and warning statements and information.
- If the FCCID for the modem is not visible when installed in the host platform, then a permanently attached or marked label must be displayed on the host unit referring to the enclosed modem.

For example, the label should contain wording such as:

Contains GSM/GPRS modem transmitter module
FCC ID: MIVGSM0308
This device complies with Part 15 of the FCC Rules.
Operation is subject to the following two conditions: (1)
This device may not cause harmful interference, and (2)
This device must accept any interference received,
including interference that may cause undesired
operation.

OR

Contains FCC ID: MIVGSM0308
This device complies with Part 15 of the FCC Rules.
Operation is subject to the following two conditions: (1)
This device may not cause harmful interference, and (2)
This device must accept any interference received,
including interference that may cause undesired
operation.

- Any antenna used with the modem must be approved by the FCC or as a Class II Permissive Change (including MPEL or SAR data as applicable). The "professional installation" provision of FCC Part 15.203 does not apply.

- The transmitter and antenna must not be co-located or operating in conjunction with any other antenna or transmitter. Violation of this would allow a user to plug another transmitter in to the product and potentially create an RF exposure condition.

WARNING
The transmitter and antenna must not be collocated or operating in conjunction with any other antenna or transmitter. Failure to observe this warning could produce an RF exposure condition.

2.2. Disclaimer

The information and instructions contained within this publication comply with all FCC, GCF, PTCRB, R&TTE, IMEI and other applicable codes that are in effect at the time of publication. Enfora disclaims all responsibility for any act or omissions, or for breach of law, code or regulation, including local or state codes, performed by a third party.

Enfora strongly recommends that all installations, hookups, transmissions, etc., be performed by persons who are experienced in the fields of radio frequency technologies. Enfora acknowledges that the installation, setup and transmission guidelines contained within this publication are guidelines, and that each installation may have variables outside of the guidelines contained herein. Said variables must be taken into consideration when installing or using the product, and Enfora shall not be responsible for installations or transmissions that fall outside of the parameters set forth in this publication.

Enfora shall not be liable for consequential or incidental damages, injury to any person or property, anticipated or lost profits, loss of time, or other losses incurred by Customer or any third party in connection with the installation of the Products or Customer's failure to comply with the information and instructions contained herein.



The Enabler III-G platform is designed with features to support a robust connection. There are instances where the module performance is beyond the control of the intended design. Integrated designs that require 24 by 7 operation must implement power control via an external circuit or by implementing power management as specified within this design guide.

3. Manual Overview

This document describes the hardware interface of the Enabler III-G modem. The purpose of this document is to define the electrical, mechanical and software interfaces while providing detailed technical information in order to streamline the process of hardware and system integration.

3.1. Revision History

Date	Rev	Author	Description
01/17/07	1.00	Tom Cone	Initial Release Draft

3.2. Reference Documents

3.2.1. Enfora Enabler III-G Product Documentation

Overview

- GSM1000PB001MAN - Enfora Integrated GSM/GPRS Module

Manuals

- GSM0308PB001MAN - Enfora GSM/GPRS OEM Module AT Command Set Reference
- GSM0102PB002MAN - Enfora GSM-GPRS Family UDP-API Reference
- GSM0000PB006MAN - Enfora GSM-GPRS Family Modem Control Library Reference

Application Notes

- GSM0000AN001 - Enabler-G PPP Configuration for Windows 98
- GSM0000AN002 - Enabler-G PPP Configuration for Windows 2000
- GSM0000AN003 - Enabler-G Data Circuit Switched Call Configuration and Use
- GSM0000AN004 - Enabler-G SMS Configuration and Use
- GSM0000AN005 - Enabler-G Automated Network Connection Configuration and Use
- GSM0000AN006 - Enabler-G Module Status Query
- GSM0000AN007 - Enabler-G Status Reporting
- GSM0000AN008 - Enabler-G PPP Configuration for Windows XP
- GSM0000AN009 - Dynamic IP Assignment Support
- GSM0000AN010 - Enabler-G PPP Configuration for PocketPC 2002
- GSM0000AN011 - PAD Configuration and Use
- GSM0000AN012 - Network Transparency Configuration for PAD
- GSM0000AN013 - Enabler-G Sleep Mode Configuration and Use
- GSM0000AN014 - Anytime PPP API Access
- GSM0000AN015 - Event Monitor and Reporting Overview
- GSM0000AN016 - How to Send SMS Messages to an E-Mail Address
- GSM0000AN017 - SMTP Mail Access via TCP PAD
- GSM0000AN018 - USNO NTP Network Time Service TCP PAD

Technical Notes

- GSM0000TN001 - Enabler-G Firmware Upgrade
- GSM0000TN002 - Enabler-G PPP Negotiation Sequence
- GSM0000TN006 - UDP Wakeup Message Header Decoding
- GSM0000TN007 - Enabler-G 3-Wire Serial Interface Requirements
- GSM0000TN008 - Enabler Power Supply Requirements
- GSM0000TN009 - Server Application Design Considerations for Dynamic IP
- GSM0000TN012 – Enabler III-G Engineering Mode Command Reference
- GSM0000TN013 – Enabler III-G and IIE CMUX Description

White Papers

- GSM0000WP001 - Enabler-G Differentiation Features
- GSM0000WP002 - Using Enfora UDP API Versus CMUX Protocol

3.2.2. GSM Device Specifications

- 3GPP TS 51010-1 (850, 900,1800,1900 MHz devices)

To view the latest release, go to:

<http://www.3gpp.org/ftp/Specs/html-info/51010-1.htm>

3.2.3. US Government

3.2.4. Federal Communications Commission (FCC)

Internet: <http://www.fcc.gov/>

- FCC Rules, Part 24
 - 47 CFR Subpart E--Broadband PCS
 - 47 CFR § 24.52, sections 1.1307(b), 2.1091, and 2.1093
- FCC Rules, Part 22 for GSM 850
- FCC Rules, Part 15
- FCC Rules, Part 2
 - Subpart J--Equipment Authorization Procedures
 - Section 2.925

3.2.5. FCC Office of Engineering and Technology (OET)

Internet: <http://www.fcc.gov/oet/>

- Bulletin Number 65 "Evaluating Compliance with FCC Guidelines for Human Exposure to Radio Frequency Electromagnetic Fields"
- Supplement C "Additional Information for Evaluating Compliance of Mobile and Portable Devices with FCC Limits for Exposure to Radio Frequency Emissions"

3.2.6. Industry Canada

- RSS-132
- RSS-133
- ICES-003

3.2.7. Environmental Regulations

- National Environmental Policy Act (NEPA) of 1969 (Part 1, Subpart 1)

3.2.8. Mechanical Specifications

- ASTM D999
- ASTM D775
- IEC 68-2-27
- Bellcore Gr-63-CORE
- ETS 300 019-1-1 Class 1.2
- ETS 300 019-1-2 Class 2.1
- ETS 300 019-1-3 Class 3.1

3.2.9. RF and EMI Specifications

- ETSI Standards
- EN 61000-4-6
- EN 61000-4-3
- 3GPP TS 51.010-1, Section 12.2
- EN 55022 Class B

4. Introduction

4.1. Product Overview

Enfora Enabler III-G modem is a compact, wireless OEM module that utilizes the Global System for Mobile Communications (GSM) and GPRS (General Packet Radio Services) international communications standard to provide two-way wireless capabilities via GSM services. The Enfora Enabler III-G module is a fully Type-approved GSM/GPRS device, enabling application-specific, two-way communication and control.

The small size of the Enfora Enabler III-G module allows it to be integrated easily into the application and packaging.

4.2. Key Features of the Enabler III Module

The following table summarizes the main features of the Enfora Enabler III-G Radio Module.

Interface	Data input/output interface	100 position 0.4mm pitch connector
	Primary serial port	V.24 protocol, 1.8V levels, full 9-pin, UART implementation
	Secondary serial port	V.24 protocol, 1.8V levels (debug only)
	GPIO	20 pins available (feature specific on some lines)
	USB	USB full-speed (FS) device compatible with the Universal Serial Bus Specification Revision 2.0 and the universal Serial Bus Specification Revision 1.1.
	I2C	Multi- Master Serial Computer Bus
	SPI Port	Serial Peripheral Interface
	Keyboard	5 x 5 keyboard support
	Audio	Digital audio via MCS1 port
	Voice	Supports four vocoder modes: full-rate (FR), enhanced full-rate (EFR), half-rate (HR), and adaptive multi-rate (AMR)
	Antenna Interface	ultra Miniature Coaxial Interconnect or B2B Spring contact
	Command protocol	Enfora Packet API, GSM AT command set
	Subscriber Identification Module (SIM)	Optional 1.8/3 V mini-SIM carrier and interface on board with SIM detect
	Voltage backup	Voltage backup pin available to maintain RTC, battery capable
	Reference clock	32kHz and 13 Mhz. output reference clocks
	ADC	1 ADC port
	Optional remote SIM	Accessible via the 100-pin connector
Power	Electrical power	3.3 to 4.5 Vdc
	Peak currents and average power dissipation	Refer to the Operating Power table in the Technical Specifications for peak currents and average power dissipation for various modes of operation.
Radio Features	Frequency bands	EGSM 900, GSM1800, GSM 850 and GSM 1900 capability.
	GSM/GPRS features supported	Provides for all GSM/GPRS authentication, encryption, and frequency hopping algorithms. GPRS Coding Schemes CS1-CS4 supported. Multi-Slot Class 10 (4RX/2TX, Max 5 Slots).

Regulatory	Agency approvals	<ul style="list-style-type: none"> • GCF Type Approval • PTCRB Type Approval • FCC Certification • RTTE • CE (European Community Certification) • IC (Industry Canada) Approval
GSM/GPRS Functionality	<ul style="list-style-type: none"> • Mobile-originated and mobile-terminated SMS messages: up to 140 bytes or up to 160 GSM 7-bit ASCII characters. • Reception of Cell Broadcast Message • SMS Receipt acknowledgement • Circuit Switched Data (Transparent & Non-transparent up to 9.6 Kbps) • Voice (EFR, FR, HR) • Supports Unstructured Supplementary Service Data (USSD) • Multi-Slot Class 10 Supported (4Rx/2TX), (5 Slot Max) • PBCCH/PCCCH Supported 	
Audio Features	<ul style="list-style-type: none"> • Handset Microphone biasing • Headset Microphone biasing • Headset Plug/Unplug detection • Headset Hook detection (call answer/end button on equipped Headset microphone device) • High output dynamic differential Earphone mode, using Headset outputs • Pop Noise attenuation circuitry implemented for all single-ended output stages • Mono Voice memo capability: Voice memo function is supported for both 8 kHz Narrowband and 16 kHz • FM stereo audio mux input (FML pin, FMR/AUXI pin) • FM mono audio mux input (FMR/AUXI pin only) • Handset microphone input (MICIN, MICIP pins) • Headset microphone input (HSMIC pin) • Car kit microphone (D+ pin) 	
Outputs	<ul style="list-style-type: none"> • Handset earphone outputs (EARP, EARN pins) • Headset 32 Ω stereo outputs (HSOL, HSOR pins) • USB car kit stereo outputs (D+(right), D- (left) pins) • USB car kit mono output (D- (left) pin) 	
SIM	1.8/3 V Mini-Subscriber Identity Module (SIM) compatible	

Table 1 - Enabler III-G Key Features

4.3. Providing Multi-Band Operation

The Enfora Enabler III-G module provides multi-band operation, with the operating frequency selectable by AT Command:

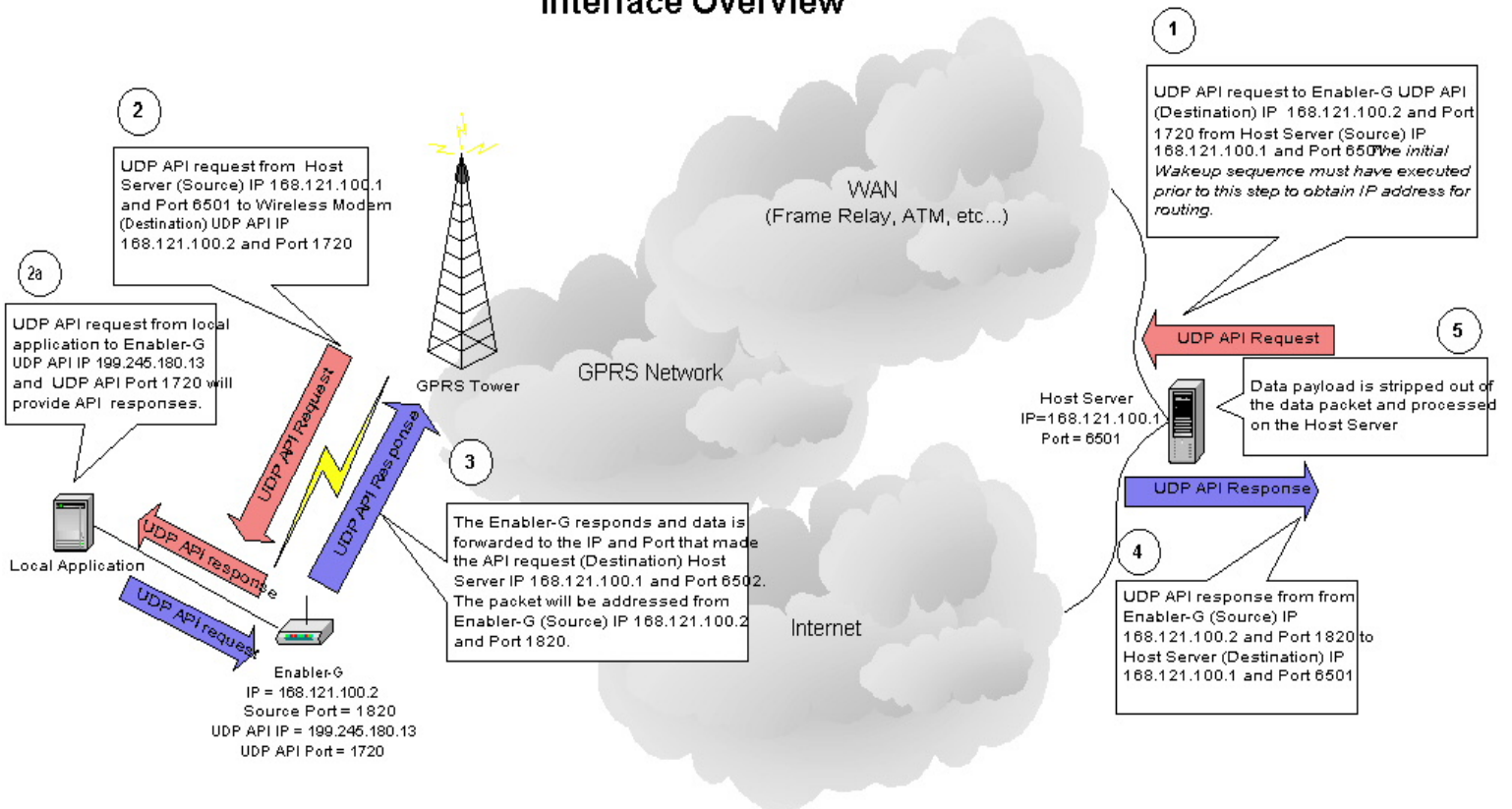
- The 850/1900 MHz radio bands are available for integration and deployment for use worldwide, with 850/1900 MHz support primarily in North America and regions where the 1900 MHz Personal Communication Services (PCS) band is allocated. The Enfora Enabler III-G also supports GSM 850 for use in North America.
- The 900/1800 MHz Enfora Enabler III-G modules are available for deployment in Europe and the rest of the world.

4.4. Wireless Data Application Possibilities

A variety of applications can use the Enfora Enabler III-G module for transmitting/receiving data/voice, such as:

- Automated Meter Reading (AMR)
- Point of Sale Applications
- E-mail and Internet access
- Automated Vehicle Location (AVL)
- Machine to Machine communication (M2M)
- Telematics
- Telemetry
- Wireless Security

GPRS UDP API Interface Overview



Enabler-G UDP API Configuration Parameters

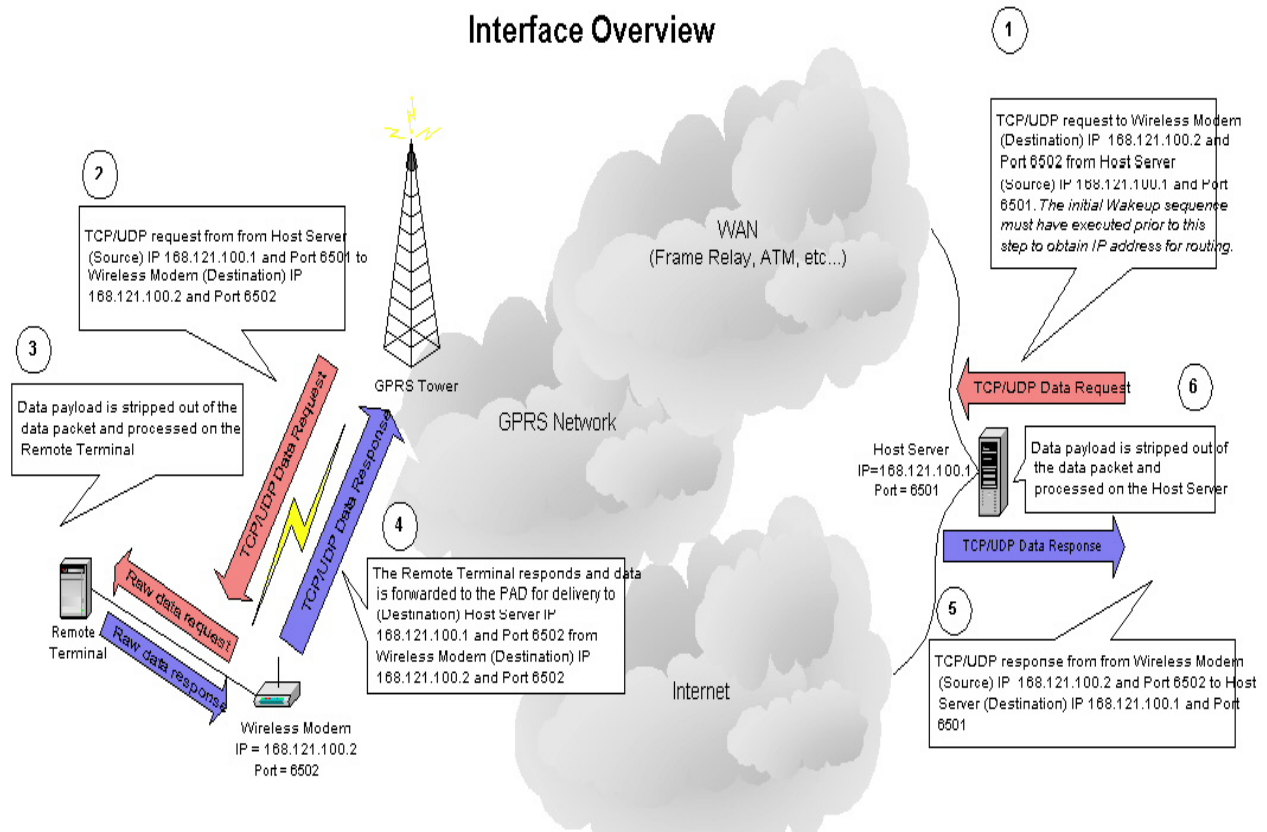
AT\$APIPWD	= xxx (Optional parameter for requesting IP addresses that are not in the AT\$FRIEND command list)
AT\$FRIEND	= 1,1,"168.121.100.1" (Friend IP address. Required if AT\$APIPWD is not used)
AT\$UDFAPI	= "199.245.180.13",1720 (UDP API IP Address and Port)

Figure 1 – UDP API Architecture

4.5. GSM/GPRS System Overview

The Enfora Enabler III-G module is shown in Figure 1 is designed for easy integration with other components and packaging by leveraging the existing GSM networks. Compare the Enfora Enabler III-G to systems that require construction, operation, maintenance, and expense of a private network.

GPRS PAD Interface Overview



Wireless Modem Packet Assembler/Disassembler (PAD) Configuration Parameters

AT\$HOSTIF	= 1 (Establish a UDP PAD session upon ATD command) 2 (Establish a TCP PAD session upon ATD command)	
AT\$PADST	= "168.121.100.1",6501 (Destination IP address and port)	
AT\$PADSRC	= 6502 (Source port)	
AT\$PADBLK	= 100 (Amount of data, in bytes, to be buffered before sending)	UDP PAD Only
AT\$PADCMD	= 1B (Bitwise parameter that controls PAD operation features)	UDP PAD Only
AT\$PADFWD	= 0D (Data forwarding character)	UDP PAD Only
AT\$PADTO	= 50 (Inter-Character-Timeout. Amount of time before sending data buffer)	UDP PAD Only
AT\$ACTIVE	= 1 (Active, Client TCP PAD mode of operation) 0 (Passive, Server TCP PAD mode of operation)	TCP PAD Only
AT\$CONNTO	= 60 (TCP PAD Connection Timeout. Amount of time to attempt TCP PAD connection)	TCP PAD Only
AT\$IDLETO	= 60 (TCP PAD Idle Timeout. Amount of idle time to wait before disconnecting the TCP PAD connection)	TCP PAD Only

Figure 2 - PAD Architecture

4.6. Summary of Features for the Enabler III-G Module

The following summarizes the main features of the Enfora Enabler III-G Module.

Mechanical

Dimensions..... 27.0 mm x 28.0 mm x 2.50 mm
Weight 3.6g

Packet Data Transfer:

Protocol.....GPRS Release 97 and 99
Coding Schemes.....CS1-CS4
Multi-Slot Capability: (Demonstrated @MS10).....MS10 (4RX/2TX) (Max 5 Slots)
Packet Channel SupportPBCCH/PCCCH

Circuit Switched Data Transfer:

V110 300 bps/1200 bps/2400 bps/4800 bps/9600 bps/14,400 bps
Non-Transparent 300 bps/1200 bps/2400 bps/4800 bps/9600 bps/14,400 bps

Short Message Services:

GSM SMS MO, MT, CB, Text and PDU Modes
GPRS SMS MO, MT, CB, Text and PDU Modes

Voice Capability:

Speech Codec..... EFR, FR, HR, AMR

GSM/GPRS Radio Performance Multi-Band:

GSM0308 Radio Frequencies..... 850 MHz, 900 MHz, 1800 MHz, and 1900 MHz
Sensitivity <-106 dBm (Typical GPRS CS1)
850 & 900 MHz Transmit Power .. Class 4 (2 W)
1800 & 1900 MHz
Transmit Power Class 1 (1 W)

System Requirements:

Host Interface Serial Interface
DC Voltage 3.3 to 4.5 Vdc

Application Interface:

Host Protocol.....	Status API and AT Commands
Internal Protocols	UDP stack, TCP/IP stack, PPP, PAD, and CMUX
Physical Interface.....	1 serial (primary), I USB (debug) Default rate 115,200 baud, MCSI, I2C, SPI, Keyboard (5x5)
Audio Interface.....	FM stereo audio mux input (FML pin, FMR/AUXI pin), FM mono (FMR/AUXI pin only), Handset microphone input (MICIN, MICIP pins), Headset microphone input (HSMIC pin), Car kit microphone (D+ pin), Handset earphone outputs (EARP, EARN pins), Headset 32 Ω stereo outputs (HSOL, HSOR pins), USB car kit stereo outputs (D+, D- pins), USB car kit mono output (D- pin)

SIM Interface:

Remote SIM Option 1.8/3-Volt SIM Capability

Environmental:

Compliant Temperature	-20 °C to 60 °C (Fully GSM Spec Compliant)
Operating Temperature	-30 °C to 70 °C
Storage Temperature	-40 °C to 85 °C
Humidity	5 to 95% non-condensing

EMC:

Emissions	FCC Parts 15,22 & 24, Class B 3GPP TS 51010-1, Section 12.2 EN 55022 Class B
-----------------	--

Operating Power (TYPICAL):

GSM Operation

GSM 850/900 (1 RX/1 TX, full power).....	TBD mA average, 1.6 A peak
GSM 1800 (1 RX/1 TX, full power).....	TBD mA average, 1.3 A peak
GSM 1900 (1 RX/1 TX, full power).....	TBD mA average, 1.2 A peak
Idle.....	TBD mA
Shutdown	≈ TBD uA

GPRS Operation Power

EGSM 850/900 (4 RX/1 TX, full power).....	TBD mA average, 1.6 A peak
EGSM 850/900 (2 RX/2 TX, full power).....	TBD mA average, 1.6 A peak
GSM 1800 (4 RX/1 TX, full power).....	TBD mA average, A peak
GSM 1800 (2 RX/2 TX, full power)	TBD mA average, A peak
GSM 1900 (4 RX/1 TX, full power).....	TBD mA average, A peak
GSM 1900 (2 RX/2 TX, full power).....	TBD mA average, A peak
Idle.....	TBD
Shutdown	≈ TBD uA

GSM Transmit Power

1800/1900 MHz..... GSM Power Class 1 (30 dBm \pm 2 dB @ antenna connection)
850/900 MHz..... GSM Power Class 4 (33 dBm \pm 2 dB @ antenna connection)

GSM/GPRS Receiver Sensitivity (Typical)

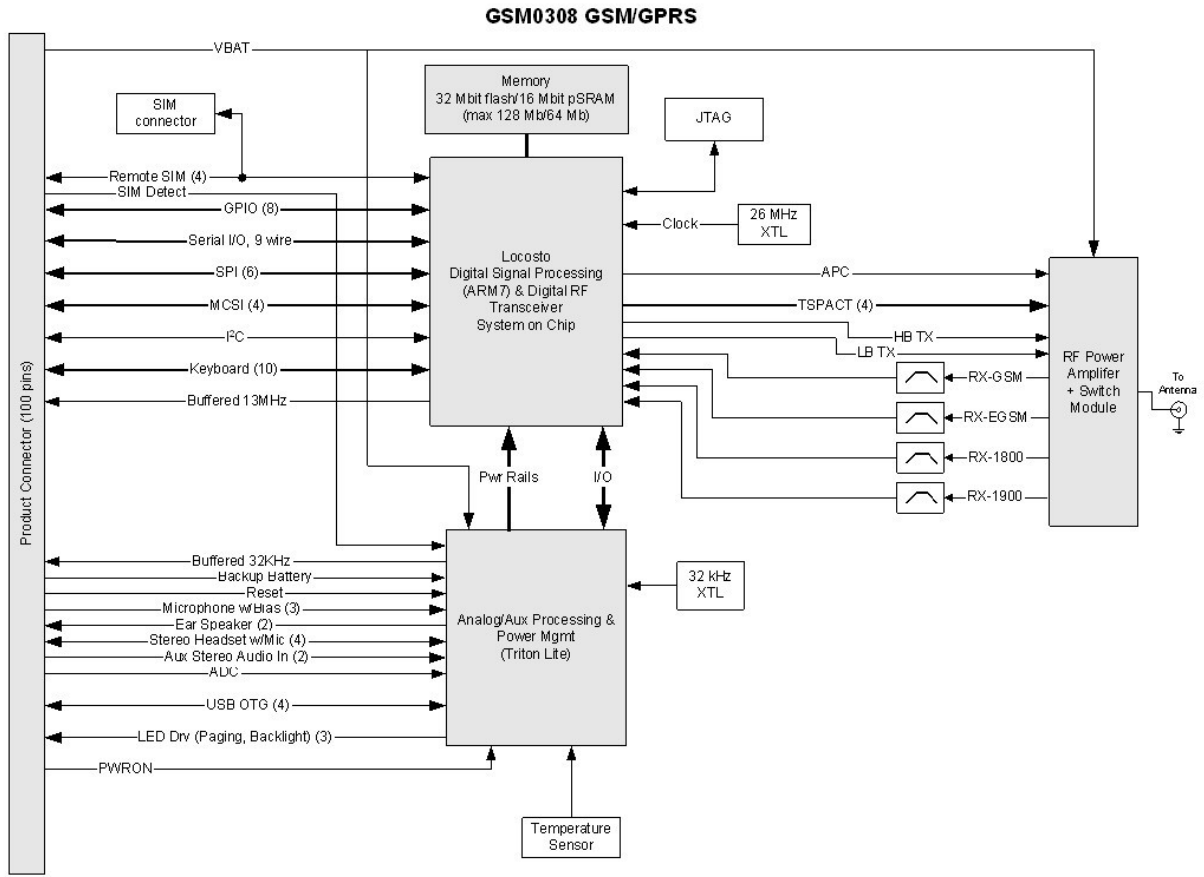
1800/1900 MHz..... <-106 dBm, GPRS Coding Scheme 1 (CS1)
850/900 MHz..... <-106 dBm, GPRS Coding Scheme 1 (CS1)

4.7. General layout guidelines for Enfora GSM modules

To ensure lowest possible EMI emission, maximum thermal conduction and mechanical integrity, all metal tabs on the GSM module shield must be soldered down on to a continuous ground plane. The PCB trace that feeds the RF output port must be 50ohm characteristic impedance, coplanar, or routed into internal layers to keep the top layer continuous around and underneath the device. Provide ample ground vias around metal tabs, the RF trace and launch pad. If possible, keep I/O and power traces away from the RF port.

5. Technical Specifications

5.1. Enabler III-G Module Block Diagram



1/26/07

Figure 3 - Enabler III-G Module Block Diagram

5.2. Detailed Product Specifications

Physical Dimensions and Weight	
Size (L x W x H)	27.0 mm x 28.0 mm x 2.50 mm
Weight	(3.6 g)

Climatic: Operational	
GSM Compliant temperature	-20°C to +60°C
Operating temperature	-30°C to +70°C
Relative humidity	5 - 95%
Solar radiation	Not Applicable
Air pressure (altitude)	70 kPa to 106 kPa (-400 m to 3000 m)

Climatic: Storage and Transportation	
Duration	24 months
Ambient temperature	-40C to +85C
Relative humidity	5% to 95%, non condensing (at 40C)
Thermal shock	-50C to +23C, +70C to +23C; < 5 min
Altitude	-400 m to 15,000 m

Mechanical: Operational	
Operational vibration, sinusoidal	3.0 mm disp, 2 to 9 Hz; 1 m/s ² , 9 to 350 Hz
Operational vibration, random	0.1 m ² /s ³ , 2 to 200 Hz

Mechanical: Storage and Transportation	
Transportation vibration, packaged	ASTM D999
Drop, packaged	ASTM D775 method A, 10 drops
Shock, un-packaged	150 m/s ² , 11 ms, half-sine per IEC 68-2-27
Drop, un-packaged	4-inch drop per Bellcore GR-63-CORE

Mechanical: Proposed Standards	
Transportation	ETSI Standard ETS 300 019-1-2 Class 2.3 Transportation
Operational	ETSI Standard ETS 300 019-1-3 Class 3.1 Operational
Storage	ETSI Standard ETS 300 019-1-1 Class 1.2 Storage

Electromagnetic Emissions	
Radiated spurious	FCC Part 22 & 24 / Part 15 Class \ B 3GPP TS 51.010-1 Section 12.2 EN 55022 Class B

5.3. Operating Power

The Enfora Enabler III-G module requires an input voltage of 3.3 Vdc to 4.5 Vdc.

5.3.1. GSM Operating Power

Enfora Enabler III-G (@ 3.76 Volts)			Typical Current (mAmps)	Typical Peak Current (Amps)
GSM 850 EGSM 900	GSM	1 TX 1 RX	254 mA	1.6 A @ 32.5 dBm
		1 RX	104 mA	
		Idle	TBD mA	
GSM 1800	GSM	1 TX 1 RX	212 mA	Error! Reference source not found. A @ 29.5 dBm
		1 RX	104 mA	
		Idle	TBD mA	
GSM 1900	GSM	1 TX 1 RX	200 mA	Error! Reference source not found. A @ 29.5 dBm
		1 RX	104 mA	
		Idle	TBD mA	

5.3.2. GPRS Operating Power

Enfora Enabler III-G (@ 3.76 Volts)			Typical Current (mAmps)	Typical Peak Current (Amps)	
GSM 850 EGSM 900	GPRS	1 TX /1RX	TBD mA	1.6 A @ 32.5 dBm	
		2 TX/ 2RX	TBD mA		
		1 TX/ 2RX	TBD mA		
		1 TX/ 3RX	TBD mA		
		1 TX/ 4RX	TBD mA		
		1 RX	TBD mA		
		Idle	TBD mA		
		GSM 1800	GPRS		1 TX /1RX
2 TX/ 2RX	TBD mA				
1 TX/ 2RX	TBD mA				
1 TX/ 3RX	TBD mA				
1 TX/ 4RX	TBD mA				
1 RX	TBD mA				
Idle	TBD mA				
GPRS	GPRS		1 TX /1RX	TBD mA	Error! Reference source not found. A @ 29.5 dBm
			2 TX/ 2RX	TBD mA	
			1 TX/ 2RX	TBD mA	
		1 TX/ 3RX	TBD mA		
		1 TX/ 4RX	TBD mA		
1 RX	TBD mA				
Idle	TBD mA				

5.3.3. Typical Input Current

Test Conditions:

Typical Results @ 3.7 V with 2000 μ F at connector input on V_{BAT} terminated into a 50 Ω resistive load.

GSM Operation		Input Current			
Band	Mode	Low	Nom/Avg	High/Peak	Units
1900	1 RX/1 TX, Full Power				mA
1800					mA
900					mA
850					mA
ALL	Idle				
N/A	Shutdown				

GPRS Operation		Input Current			
Band	Mode	Low	Nom/Avg	High/Peak	Units
1900	4 RX/1TX, Full Power				mA
	2 RX/2TX, Full Power				mA
	1 RX/1TX, Full Power				mA
1800	4 RX/1TX, Full Power				mA
	2 RX/2TX, Full Power				mA
	1 RX/1TX, Full Power				mA
900	4 RX/1TX, Full Power				mA
	2 RX/2TX, Full Power				mA
	1 RX/1TX, Full Power				mA
850	4 RX/1TX, Full Power				mA
	2 RX/2TX, Full Power				mA
	1 RX/1TX, Full Power				mA
ALL	Idle				
N/A	Shutdown				

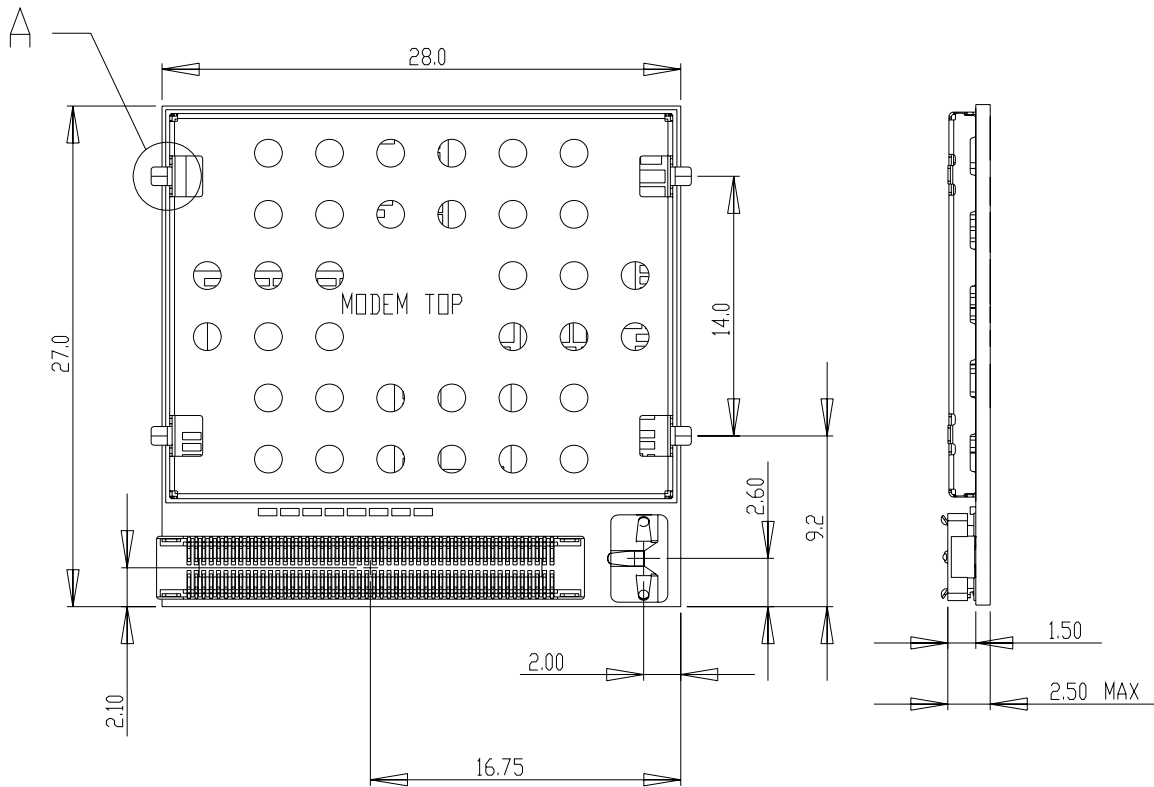
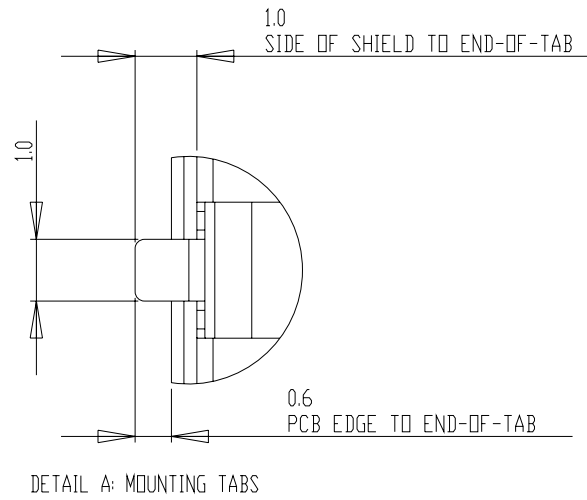
5.3.4. GSM Transmit Power

Enfora Enabler III-G module	Power Class	Transmit Power
1900 MHz 1800 MHz	GSM Power Class 1	1-W conducted power maximum (30 dBm +/- 2 dB), measured at the antenna port
850 MHz 900 MHz	GSM Power Class 4	2-W conducted power maximum (33 dBm +/- 2 dB), measured at the antenna port

5.3.5. GSM Receiver Sensitivity

Enfora Enabler III-G module	Sensitivity	Mode
1900 MHz	-106 dBm (typical)	GPRS Coding Scheme 1 (CS1)
1800 MHz		
900 MHz	-106 dBm (typical)	GPRS Coding Scheme 1 (CS1)
850 MHz		

6. Mechanical



(Dimensions are in millimeters.)

Figure 4 – Front of Module (Board-to-Board RF Conn. Version)

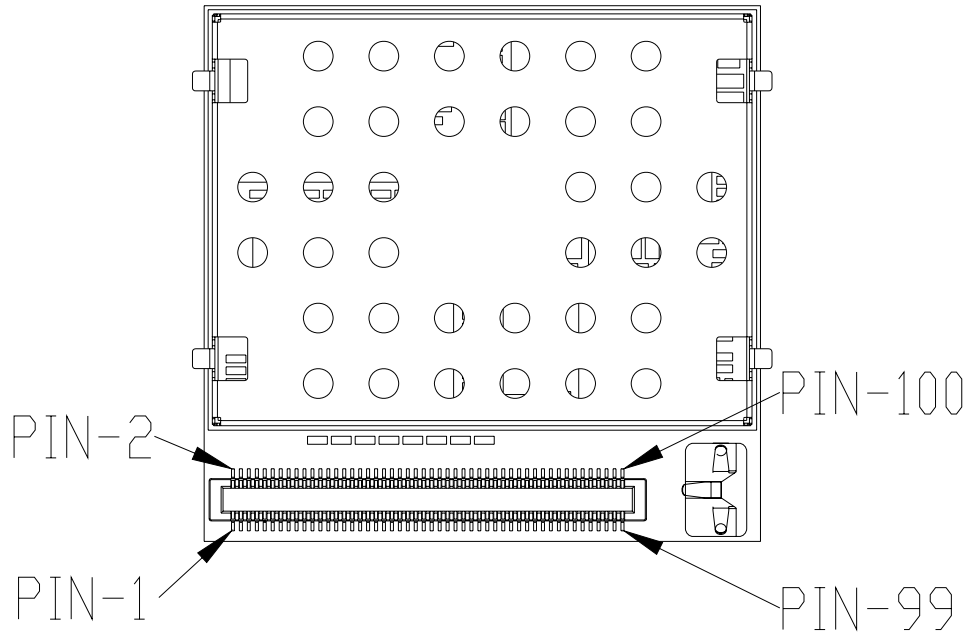


Figure 5 - Pin 1 Reference, 100-Pin I/O Connector

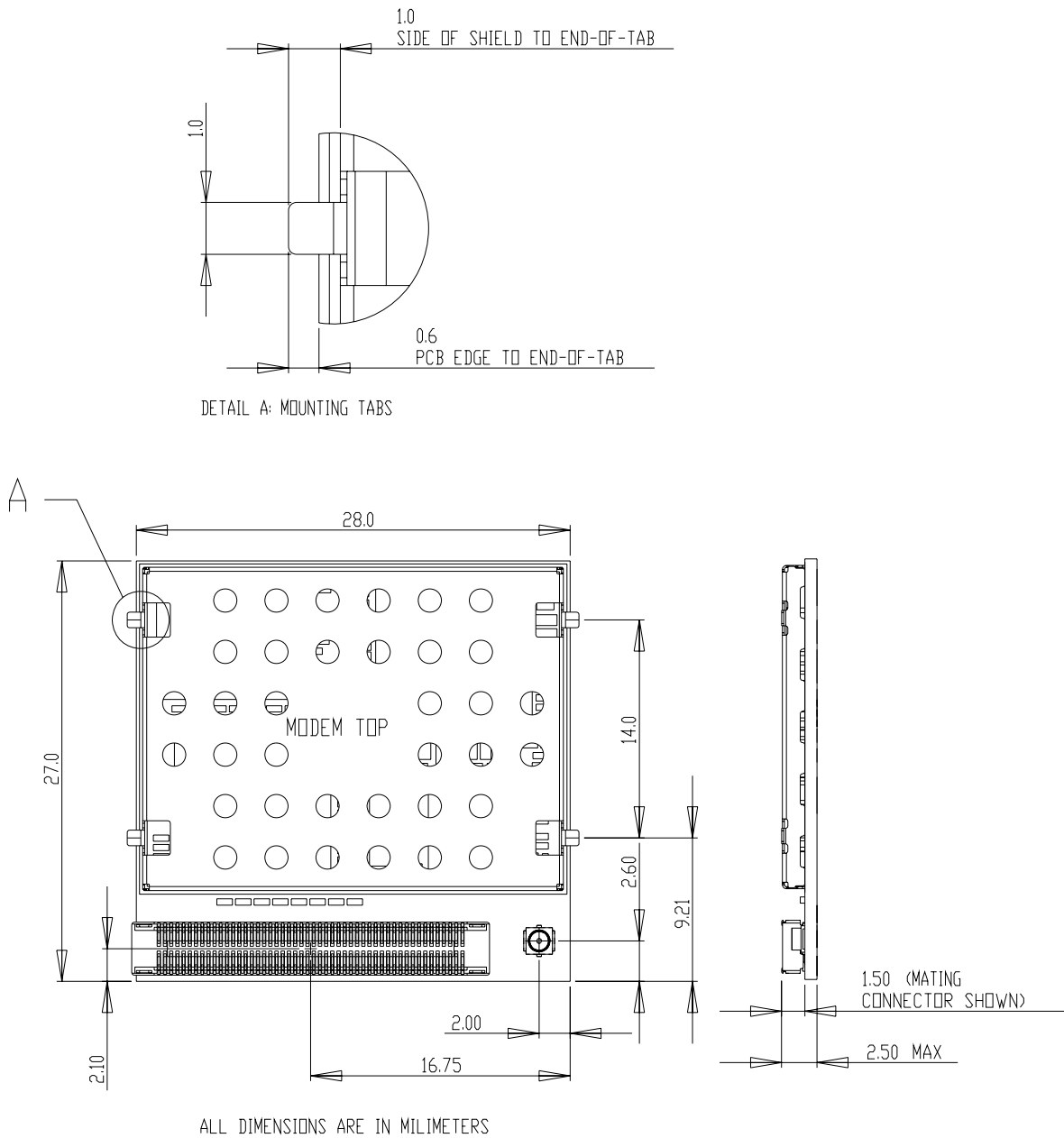


Figure 6 – Front of Module (Coaxial RF Conn. Version)

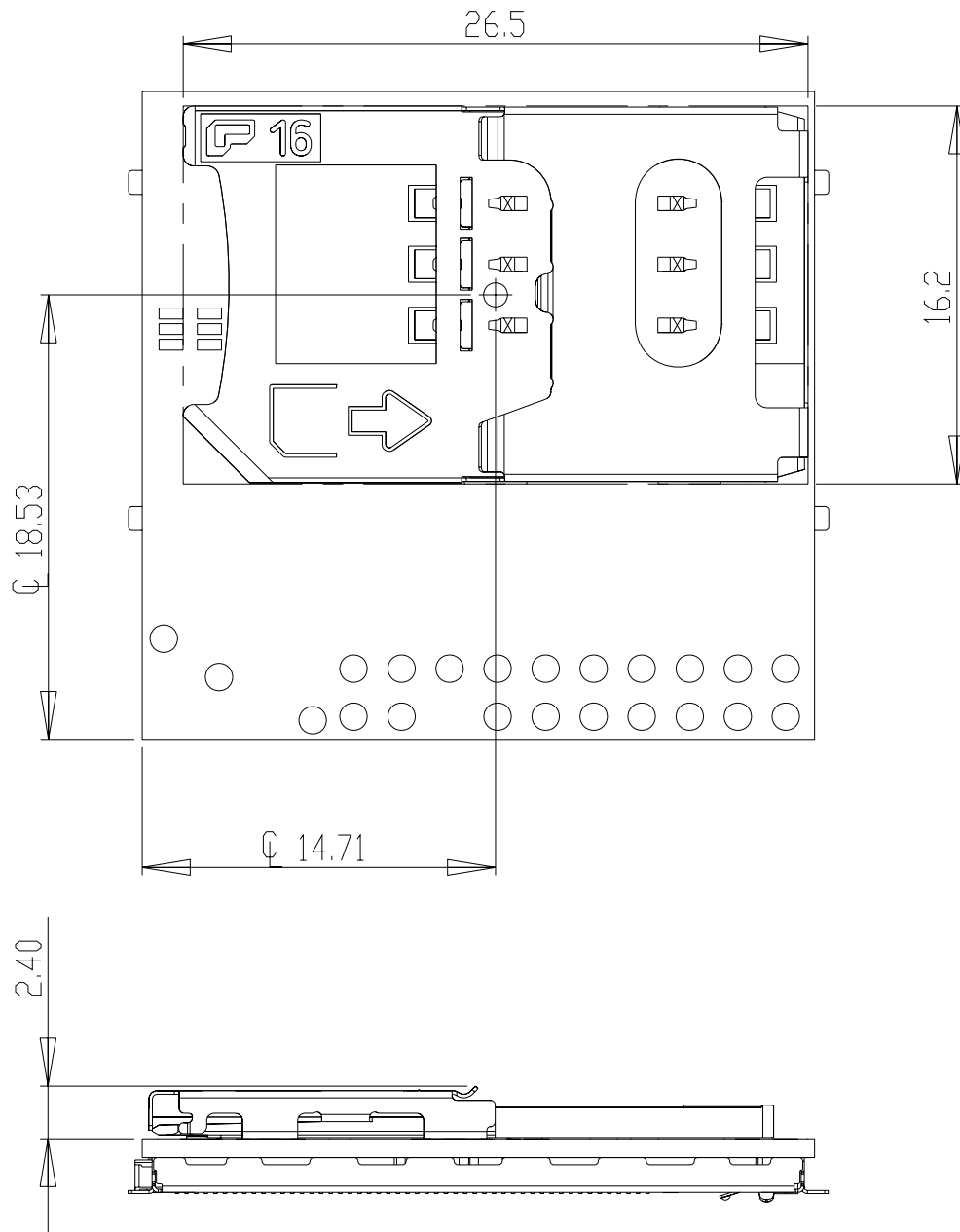


Figure 7 - Back of Module (Option SIM Shown)

6.1. Module Mounting to Host Board (Reference)

The module provides mounting tabs that **must** be soldered to a PCB. These tabs provide circuit grounding for the module.

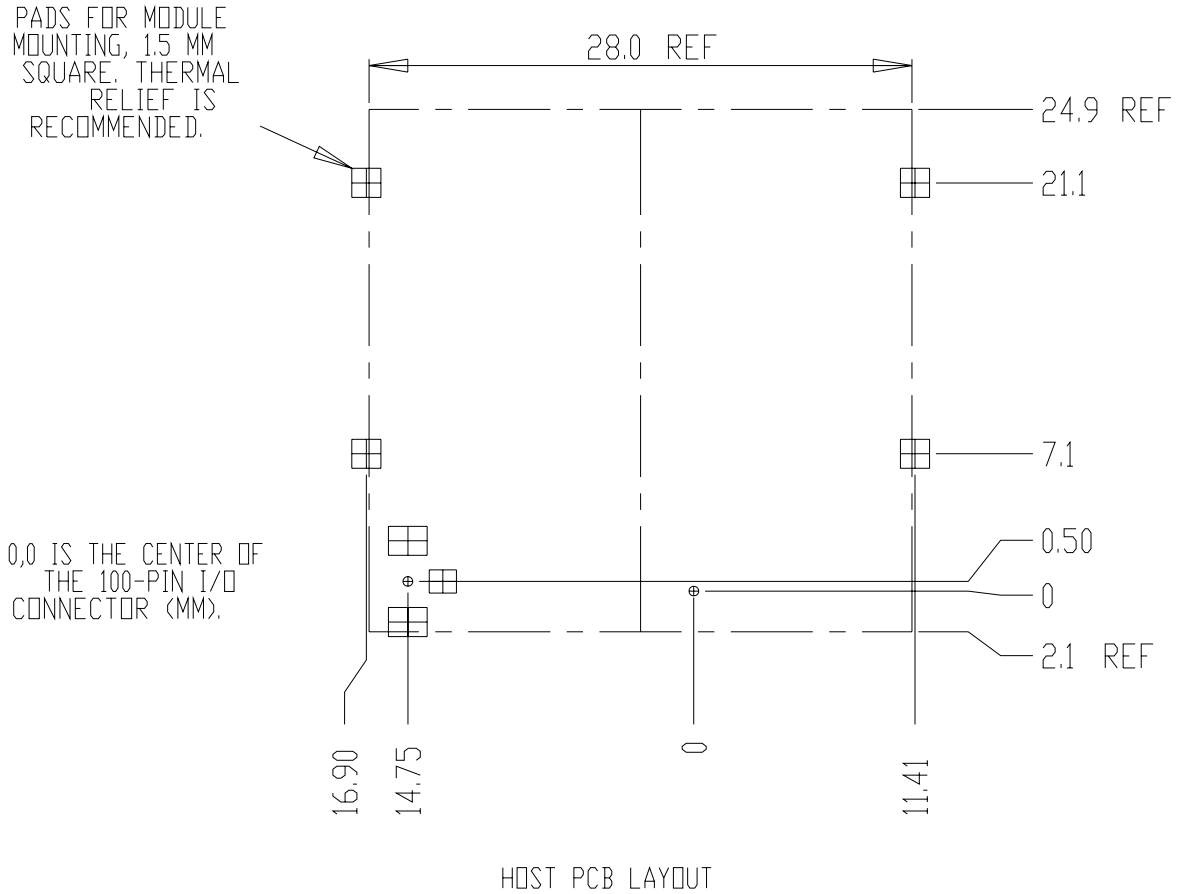
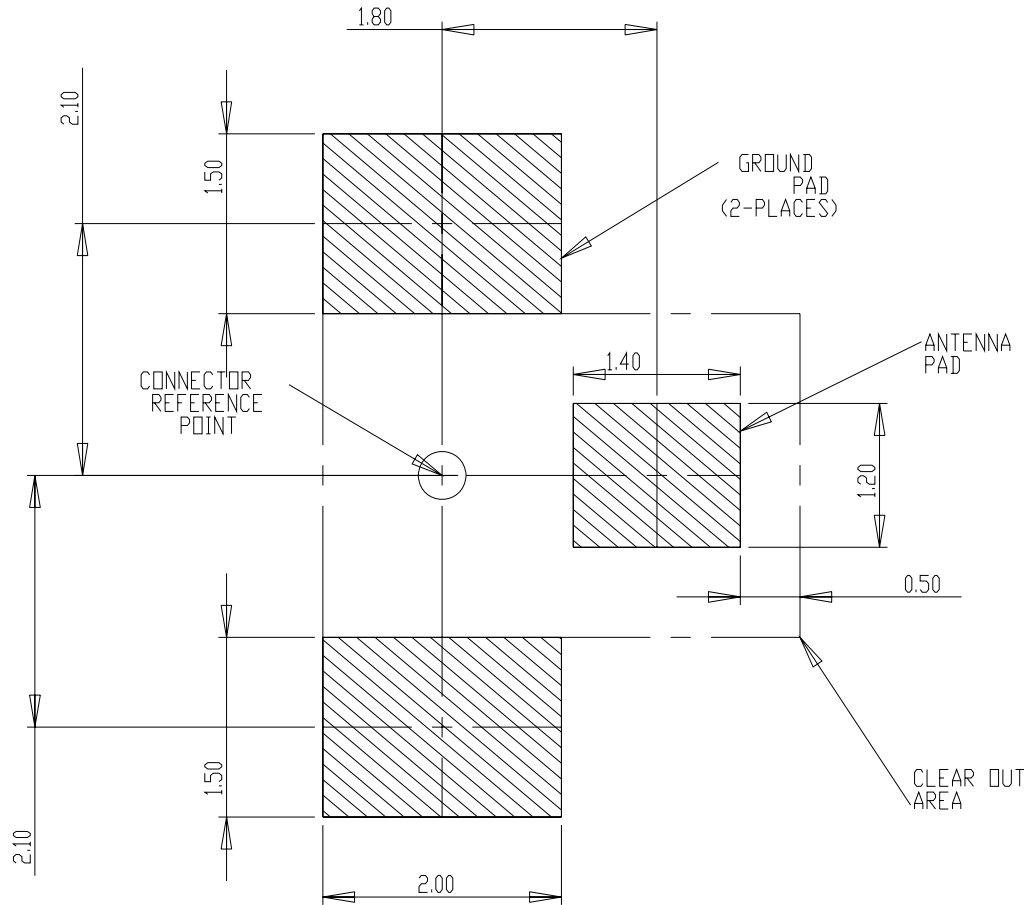


Figure 8 – Module Mounting



THE ABOVE PADS (ON HOST) SHALL BE GOLD PLATED.

Figure 9 - Host Pads for Board-To-Board RF Connector

6.2. Connectors

On The Modem: 100-Pin I/O Connector, Plug, SMT, Dual Row, 0.4 mm Pitch

Enfora PN = CON-1040-0100
Molex PN = 55909-1074

On The Host: 100-Pin I/O Connector, Socket, SMT, Dual Row, 0.4 mm Pitch

Enfora PN = CON-1040-0101
Molex PN = 51338-1074
The mated height of the two connectors is 1.50 mm.

6.3. RF Connection Options

6.3.1. Coaxial Connector Option

On The Modem:

Sunridge MCD Series – Ultimate Miniature Coaxial Interconnect, 1.55mm Mated Height
Contact Sunridge for mating cable options:

Enfora PN = CON-0009-0005

Sunridge PN = MCD-ST-00T

<http://sunridgecorp.com/>

Sunridge Corporation
2500 E. Foothill Blvd. Suite 107
Pasadena, CA 91107
U. S. A.
Tel: (626) 535-1780
Fax: (626) 535-1788

6.3.2. RF Board-to-Board Connector Option

On The Modem:

Enfora PN = CON-0009-0006

Sunridge PN = MCE-15A-G01

On The Host PCB:

No connector required. See Figure 9 for layout details.

6.3.3. I/O Connector Pin Assignments


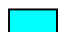

The following table shows the pin assignments for the input/output connector.

Table 2 - Enabler III-G Pin Assignments

PIN #	FUNCTION	Serial Pin	I/O	ENABLER III-G	Description/Comments (Default function / secondary function)
1	Power Input (USB)		P	VBUS	USB power
2	Ground		R	GND	System Ground
3	Power Input (USB)		P	VBUS	USB power
4	Ground		R	GND	System Ground
5			I/O	USB_DP/RXD/MIC_R	5 V tolerant data plus pin in USB modes / Receive function in UART mode / Microphone or right speaker in AUDIO mode
6			I	LED_B	LED B sink
7			I/O	USB_DM/TXD/SPKR_L	5 V tolerant data minus pin in USB modes / Transmit function in UART mode / Monaural speaker or left speaker in AUDIO mode
8			I	LED_A	LED A sink
9			I	ID_USB	USB connector identification
10			O	VRWLED	Output voltage for VRWLED regulator
11	Clear To Send	8	I	UART_CTS	UART Clear to send[MG1]
12			I	MCSI_RX/GPIO12	GPIO12 / MCSI Serial data input
13	Request To Send	7	O	UART_RTS	UART Request to send
14			I/O	MCSI_CLK/GPIO9	GPIO9 / MCSI Serial Clock I/O
15	Serial Data Transmit	2	O	UART_TX	UART Serial data output
16			I/O	MCSI_FSYNC/GPIO10	GPIO10 / MCSI Frame Synchronization I/O
17	Data Set Ready	6	I	DSR_RXIR	UART Data set ready/ IrDA Serial data input
18			O	MCSI_TX / GPIO11	GPIO11 / MCSI Serial Data Output
19	Data Carrier Detect	1	O	DCD_TXIR	UART Data carrier detect/IrDA Serial data output
20			O	SPI_CS2 / GPIO18	GPIO18 / SPI Chip select 2
21	Serial Data Receive	3	I	UART_RX	UART Serial data input
22			I/O	SPI_MOSI / GPIO15	GPIO15 / SPI Data master out/slave in
23	Ring Indicate	9	O	UART_RING	UART/Modem ring indicate
24			O	SPI_CS0/GPIO16	GPIO16 / SPI Chip select 0
25	Data Terminal Ready	4	O	UART_DTR	UART Data Terminal Ready
26			I/O	SPI_MISO/GPIO14	GPIO14 / SPI Data master in/slave out
27			O	KBC0/GPO25	Keyboard Matrix Column 0 / GPIO25
28			O	SPI_CS1/GPIO17	GPIO17 / SPI Chip select 1
29			O	KBC2/GPO27	Keyboard Matrix Column 2 / GPIO27
30			I/O	SPI_CLK/GPIO13	GPIO13 / SPI serial clock
31			O	KBC3/GPO28	Keyboard Matrix Column 3 / GPIO28
32			O	KBC4/GPIO20	Keyboard Matrix Column 4 / GPIO20
33			O	KBC1/GPO26	Keyboard Matrix Column 1 / GPIO26
34			I	KBR4/GPIO19	Keyboard Matrix Row 4 / GPIO19
35			I	PWR_CTL	External switch-on event (ON Button) with 32-kHz de-bouncing
36			I	KBR3/GPI24	Keyboard Matrix Row 3 / GPI24
37			I	RESERVED	RESERVED
38			I	KBR0/GPI21	Keyboard Matrix Row 0 / GPI21
39	(OPEN)				
40			I	KBR1/GPI22	Keyboard Matrix Row 1 / GPI22
41	(OPEN)				
42			I	KBR2/GPI23	Keyboard Matrix Row 2 / GPI23
43	(OPEN)				
44	(OPEN)				
45	(OPEN)				
46	(OPEN)				
47			I	HST_DET	Headset Detect
48			O	I2C_2_SCL	I ² C interface Master serial clock
49			I	FML	Mixer/FM radio input left channel

50			I/O	I2C_2_SDA	I ² C interface Serial bi-directional data
51			I	AUXI_FMR	Mixer/FM radio input right channel / SE auxiliary amplifier input
52			O	CLK13M_BUF	13 MHz Clock Output via 1 k Ω Series Resistor
53			O	HSMICBIAS	Headset microphone bias
54	Ground		R	GND	System ground
55			I	HSMIC	Microphone input (Headset)
56			O	CLK32K_BUF	32.768 kHz out, only buffered by 10 k Ω resistor
57			O	HSOL	32 k Ω headset amplifier Left
58			I/O	GPIO_4/TX_ACT/ LEDPULSE	GPIO 4/Transmit Active/LED Pulse
59			O	HSOR	32 k Ω headset amplifier Right
60			I/O	GPIO_3/LPWM	GPIO 3 / Light Output PWM
61			O	HSOVMID	Headset output common mode
62			I/O	USB_BOOT/GPIO_2	GPIO 2
63			O	MICBIAS	Microphone bias
64			I/O	GPIO_1/PWTONE	GPIO 1 / Pulse Width Tone
65			I	MICIP	Microphone amplifier positive input (Handset)
66			I/O	GPIO_7/SPIRW	GPIO 7 / SPI Read Write
67			I	MICIN	Microphone amplifier negative input (Handset)
68			I/O	GPIO_5/SPICS0	GPIO 5 / SPICS0
69	Ground		R	GND	System Ground
70			I/O	GPIO_6/SPIEN	GPIO 6 / SPI Enable
71			O	EARP	33 Ω or 120 Ω speaker amplifier (+) (Analog)
72			I/O	GPIO_8/SPIDAT	GPIO 8 / SPI Data
73			O	EARN	33 Ω or 120 Ω speaker amplifier (-) (Analog)
74			I	ADCIN4	10-bit A-to-D
75	Ground		R	GND	System Ground
76			PWR	VRSIM	Output voltage for SIM 1.8 V / 2.85 V
77			PWR	VRIO	1.8 V out – Reference for external level translation
78			O	SIM_CLK	SIM Card Reference Clock
79	(OPEN)				
80			O	SIM_RST	SIM card reset
81	(OPEN)				
82			I/O	SIM_IO	SIM card I/O data
83			I	VBACKUP	Backup battery voltage
84			I	SIMDTC	SIM card insertion/extraction detect with 32-kHz debouncing
85			P	VBAT	Power from Host
86	Ground		R	GND	System Ground
87			P	VBAT	Power from Host
88	Ground		R	GND	System Ground
89			P	VBAT	Power from Host
90	Ground		R	GND	System Ground
91			P	VBAT	Power from Host
92	Ground		R	GND	System Ground
93			P	VBAT	Power from Host
94	Ground		R	GND	System Ground
95			P	VBAT	Power from Host
96	Ground		R	GND	System Ground
97			P	VBAT	Power from Host
98	Ground		R	GND	System Ground
99			P	VBAT	Power from Host
100	Ground		R	GND	System Ground

I=Input into Enabler; O=Output from Enabler; P=Power Input to Enabler; R=Power Return from Enabler; I/O=Input/Output into/from Enabler, PWR=Other Power

-  Reserved for future use
-  NO CONNECT if on-board SIM holder is used
-  Open Lines

6.4. Circuit Protection

Other than very low level ESD protection within the module's integrated circuits, the module does not have any protection against ESD events or other excursions that exceed the specified operating parameters.

Generally, ESD protection (typically TVS/Transzorb devices) should be added to all signals that leave the host board. This includes V_{BAT}/V_{CC} .

Series resistors (typically 47 Ω) can also be added in series with data lines to limit the peak current during a voltage excursion.

Minimum ESD Protection Levels		ESD/Input Voltage			Units
Pin #'s	ESD Test Method	Min	Nom/ Avg	High/ Peak	
Pins 11 – 24, 26-34, 36, 38, 40, 42, 48, 50, 52, 58, 60, 62, 64, 66,68, 70, 72, 78, 80, 82	Human Body Model EIA/JEDEC22-A114-A	500			V
	Charge Device Model EIA/JEDEC22-C101-A	200			V
Pins (all VBUS/PWR), 5 – 10, 35, 37, 47, 49, 51, 52, 53, 55 – 57, 59, 61, 63, 65, 67	Human Body Model EIA/JEDEC22-A114-A	2000			V
	Charge Device Model EIA/JEDEC22-C101-A	500			V



Caution – It is the Integrator's responsibility to protect the Enabler III-G module from electrical disturbances and excursions, which exceed the specified operating parameters.

6.5. Antenna

The GSM0308-xx module has one RF antenna connection on the module. The connection is for the GSM section of the module.

6.6. Control Connector Signal Descriptions and Functions



Please note that the following descriptions are intended to provide hardware-level definitions. In some cases, specific lines will have no firmware functionality implemented. Information for each hardware-specific feature will be noted in the appropriate section.

6.6.1. Module Power (Pins 85, 87, 79, 91, 93, 95, 97, 99)

The Enfora Enabler III-G module uses a single voltage source of $V_{CC}=+3.3V$ to 4.5V. (The exact values of the uplink currents are shown in Tables 5.3.1 GSM Operating Power and 5.3.2 GPRS Operating Power).

V_{BAT}	Parameter/Conditions	Min	Typ	Max	Units
Main Battery Supply	Voltage In Regulation	3.3		4.5	Vdc
Peak Current	1000 μ F on Host at Module Connector				mA



The uplink burst will cause strong ripple on the voltage lines and should be effectively filtered. It is recommended that 1000 to 2000 μ F of capacitance be placed as close to the modem I/O connector as possible.

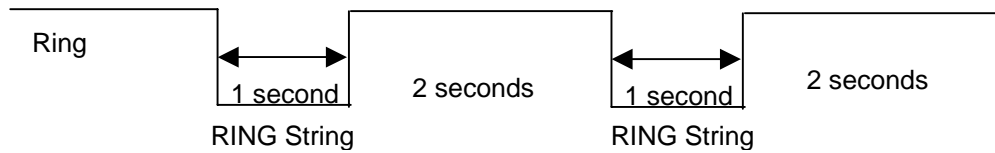
It should be noted that the input voltage level should not drop below the minimum voltage rating under any circumstances, especially during the uplink burst period.

6.6.2. Ring Indicate

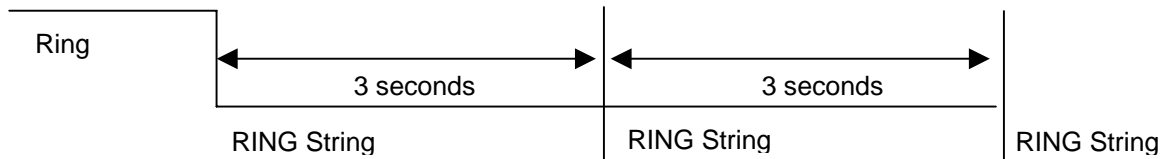
The Enabler III-G module is capable of using the Ring line to discern the type of incoming call. The indicator can be monitored via a hardware line available on the 100-pin I/O signal connector. The Ring Indicator pin is #49.

The function of the Ring line depends on the type of the call received.

When the module is receiving a *voice call*, the Ring line goes low for 1 second and high for another 2 seconds. Every 3 seconds the ring string is generated and sent over the Receive (Data Out) (Rx) line. If there is a call in progress and call waiting is activated for a connected handset or hands free device, the Ring pin switches to ground in order to generate acoustic signals that indicate the waiting call.



When a *Fax* or *data call* is received, Ring goes low and will remain low. Every 3 seconds a ring string is generated and sent over the Receive (Data Out) (Rx) line.



An incoming *SMS* can be indicated by an Unsolicited Result Code (URC) which causes the Ring line to go low for 1 second only. Using the AT+CNMI command, the Enabler III-G module can be configured to send or not to send URCs upon the receipt of SMS. See Enfora ***Enabler-III AT Command Set - GSM0308PB001MAN***.

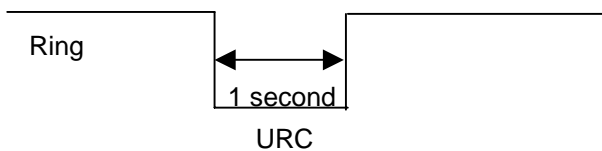


Figure 10 - Ring Indicate Timing

6.6.3. Using the Power Control Signal

Figure 11 shows a typical connection to the Enfora Enabler III-G module in a machine-to-machine application using the external **PWR_CTL_SIGNAL** solution, where there is no external processor controlling the I/O, serial, or power on/off states. RTC deep sleep functions will **NOT** function since the **PWR_CTL_SIGNAL** pin is tied low, the processor will never stay in a “RTC Sleep” mode. To reset the module, power (**BATT**) must be cycled. **VBAK** must be connected to an uninterruptible power source if RTC time is to be retained.

Note: RESET functionality is not supported on the Enabler III

Machine to Machine configuration, using
external PWR_CTL_SIGNAL solution

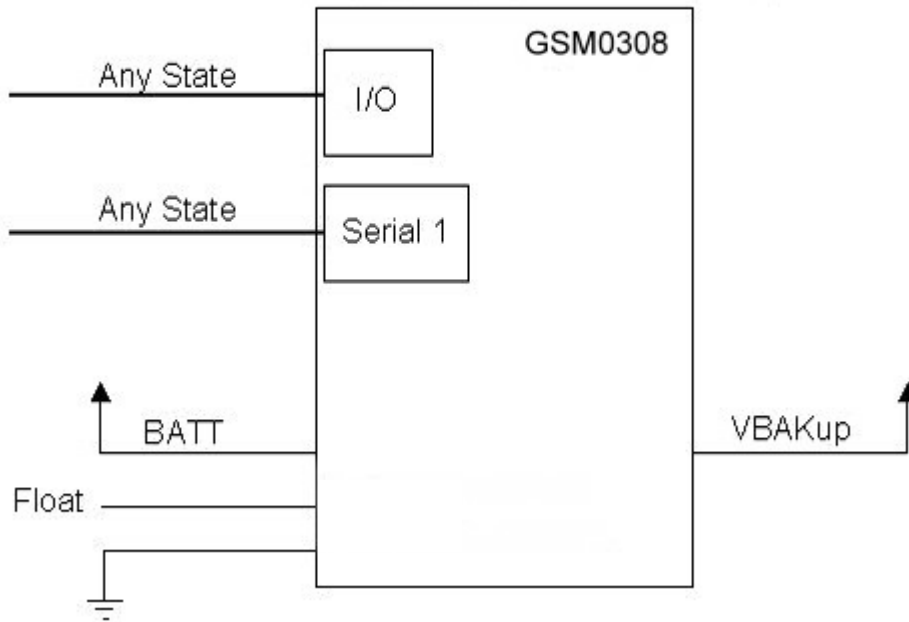


Figure 11 - External Power Control Signal (no external processor)

Figure 12 shows a variation of the connection in Figure 11 - External Power Control Signal (no external processor) by using an external RC circuit to generate a pulse that will allow the processor to enter the RTC deep sleep modes. This will keep the **PWR_CTL_SIGNAL** signal low for at least 500ms during startup. To reset the module, power (BATT) must be cycled, and power must be removed long enough for the RC to discharge.

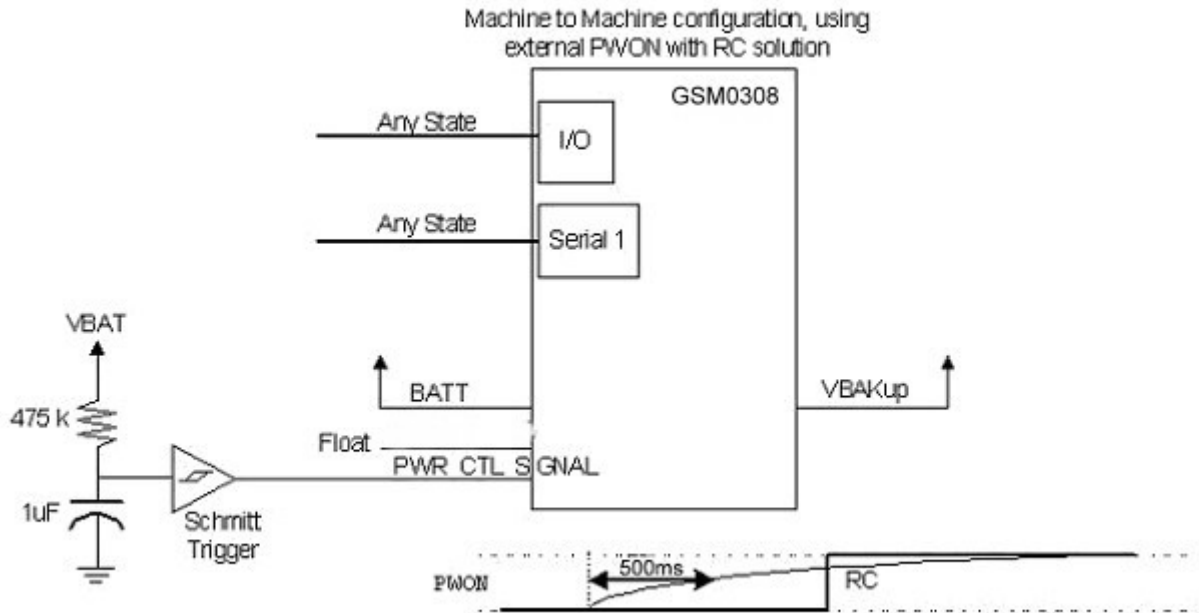


Figure 12 - External Power Control Signal (using external RC circuit)

Figure 13 shows a typical connection from an external processor to the Enfora Enabler III-G module, using the external **PWR_CTL_SIGNAL** solution. The Enfora Enabler III-G can be powered on by using the **PWR_CTL_SIGNAL** signal. When using **PWR_CTL_SIGNAL**, the I/O or serial lines can be at any voltage state desired. It is suggested that the I/O and serial lines be tri-stated or set low when the GSM0308 is shutdown for an extended period of time to conserve power.

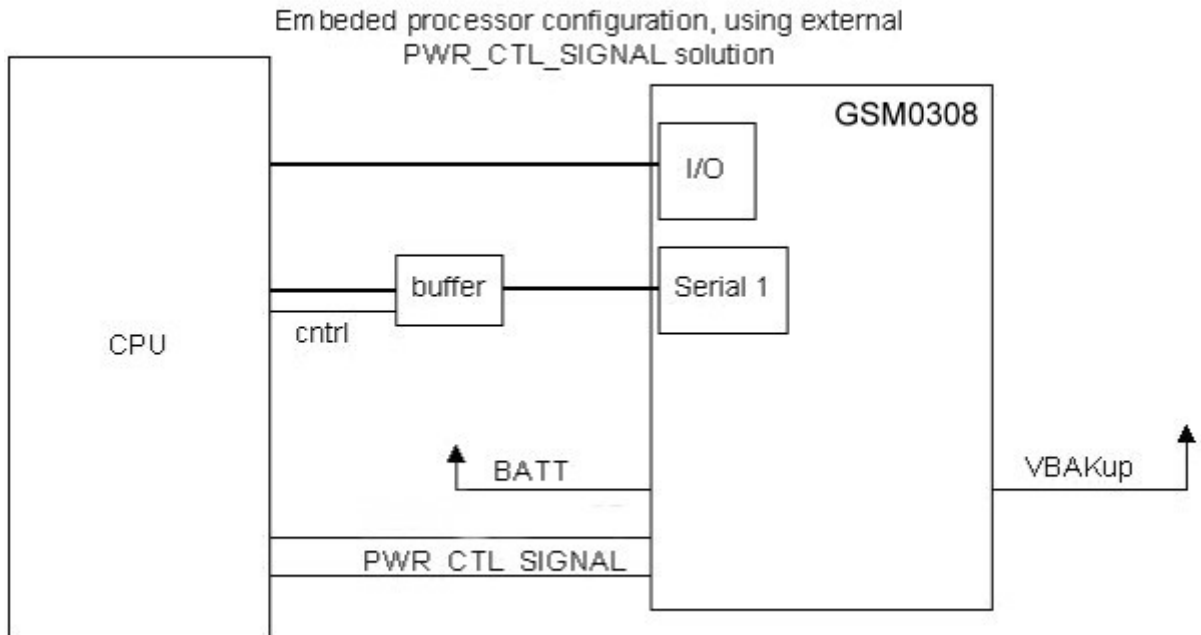


Figure 13 - Power Control Signal (using external processor)

Figure 14 shows a typical power-on sequence for the CPU to Enfora Enabler III-G interface. Note that **Reset** is not used, and the I/O and serial voltage levels are not a concern.

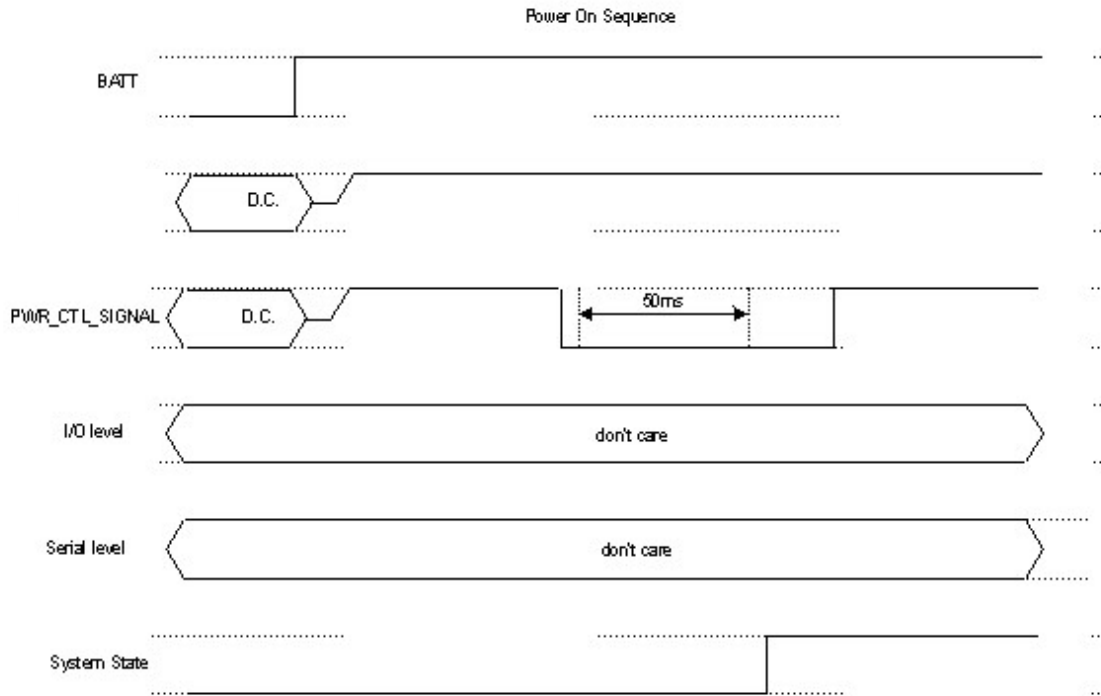


Figure 14 - Typical Power On Sequence (using external processor)

PARAMETER	PARAMETER / CONDITIONS	MIN	TYP	MAX	UNIT
V_{IL}	Input Voltage – Low or float	0		0.3 x	V_{dc}
V_{IH}	Input Voltage – High	0.7 x		V_{BAT}	V_{dc}
ON Pulse Duration		500			mS
OFF Pulse Duration	Programmable	1000		1000 0	mS

6.6.4. Level Translation Reference Power (Pin 77)

To be used as a voltage reference source ONLY. Do not connect current loads to this pin. This pin must be decoupled to ground with at least a 0.1 μ F capacitor at the output. Noise induced on this pin will affect the performance of the baseband.

V _R I/O	Parameter/Conditions	Min	Typ	Max	Units
Output voltage V _{OUT}	ON mode	1.65	1.8	1.95	Vdc
	LOW POWER mode	1.65	1.8	1.95	
Rated output current I _{OUT}	ON mode			20	mA
	LOW POWER mode			0.5	

6.6.5. USB (Pins 1, 3, 5, 7, 9)

Pin Name	Pin Number	Signal Direction	Description
USB_VBUS	1, 3	In	5 V tolerant power Supply VBUS line; Used only as a USB sense, not for powering the module. (optional connection)
USB_DP/RXD/MIC_R	5	Analog I/O	5 V tolerant data plus pin in USB modes / Receive function in UART mode / Microphone or right speaker in AUDIO mode
USB_DP	7	Analog I/O	5 V tolerant data minus pin in USB modes / Transmit function in UART mode / Monaural speaker or left speaker in AUDIO mode
ID_USB	9	Analog I/O	5 V tolerant ID line, it defines the type of device connected to the phone's USB port; And also the default state (host / device) at the cable connection; The transceiver senses the voltage of this pin to determine if the pin is either floating (typical), grounded or resistively connected to ground (102 k Ω , 200 k Ω , 440 k Ω);

The universal serial bus (USB) device controller supports the implementation of a full-speed (FS) device compatible with the Universal Serial Bus Specification Revision 2.0 and the Universal Serial Bus Specification Revision 1.1.

The module includes a Universal Serial Bus (USB) transceiver with a car-kit detection, able to support USB 12 Mb/s Full-Speed (FS) and USB 1.5 Mb/s Low-Speed (LS). When a USB cable is plugged into the USB receptacle, the transceiver detects the cable's presence on VBUS (> 1.8 V) and ID (\neq float) pins, even if the module is switched off. The transceiver is fully operational only in phone's Active mode. The module's device's car kit is developed based on CEA-936-A rev.39 – Nov. 24th 2004 specification. Currently the device does not support other versions of this specification. Compared to the CEA-936-A rev.39 – Nov. 24th 2004 specification, the car-kit implementation in the module device does not support [1] a fully implemented hardware Phone State Machine, [2] the relative interrupts and registers for the proper behavior of the Phone State machine and [3] the Data-During- Audio signaling mode.

- USB transceiver full compliant (modes and registers);
- Supports data line (D+, D-, and VBUS pulsing session request (SRP));
- Supports UART signaling (From 9.6 kbaud up to 115.2 kbaud);
- Supports AUDIO (MONO / STEREO) signaling;
- Transceiver does not support USB High Speed (HS) mode signaling;

There are 3 signal modes available to the USB port that will allow the desired signal to be routed to the physical USB pins. The functions that can be selected are USB mode, UART mode, and AUDIO mode.

UART Mode

When the UART mode is enabled, UART transactions can be achieved through the transceiver. In this mode, the transceiver can be considered as simple levels translators. When UART mode is enabled, it automatically switches off the other USB and AUDIO drivers.

AUDIO Modes

It is possible to select between the MONO and STEREO signaling modes. When enabling the AUDIO drivers, the USB and UART drivers are turned off.

USB Power (pins 1,3)	Parameter/Conditions	Min	Typ	Max	Units
Filtering Capacitor	Connected from VRUSB to GNDD	1.0	4.7		μF
Filtering Capacitor ESR		0	-	300	mΩ
Input Voltage V _{IN}	ON mode, in regulation	2.7	5.0	5.25	Vdc
B-Device (SRP Capable, Peripheral-Only) Average Current	0 V ≤ VBUS ≤ 5.25 V			8	mA
VBUS Wake-Up Threshold		1.6	1.8	2.0	V

5V Tolerant Transceiver

USB	Parameter/Conditions	Min	Typ	Max	Units
Input Voltage		4.4	4.65	5.25	V
Output voltage	High (Driven)	2.8	3.3	3.6	Vdc
	Low	0.0	0.1	0.3	Vdc
Transceiver D+/- Leakage Current		-2		2	μA

USB / UART mode

Input Levels	Parameter/Conditions	Min	Typ	Max	Units
Serial Interface Input High RXD Input High On D+		2.0			Vdc
Serial Interface Input Low RXD Input Low On D+				0.8	Vdc

Output Levels	Parameter/Conditions	Min	Typ	Max	Units
Serial Interface Input High RXD Input High On D-	I _{SOURCE} = 4 mA	2.4	3.3	3.6	Vdc
Serial Interface Input Low RXD Input Low On D-	I _{SOURCE} = -4 mA	0.0	0.1	0.4	Vdc

USB port / Audio mode

Terminations	Parameter/Conditions	Min	Typ	Max	Units
Phone Microphone Input Impedance	Freq = 1 kHz	10			kΩ
Phone Speaker Output impedance	Freq = 1 kHz			200	Ω
Current					
Phone Speaker Source Current	D ± grounded			20	mA
Input Levels					
Phone Microphone Input Range		1.0		2.2	V
Output Levels					
Phone Speaker Output Bias		0.7		1.6	V
Phone Speaker Output Range				2.2	V

6.6.6. LED A (Pin 8) & B (Pin 6), VRWLED (Pin 10)

Pin Name	Pin Number	Signal Direction	Description
LED A	8	I	LED A open drain input
LED B	6	I	LED B open drain input

The LED ‘driver’ pins are able to operate as a general current sink, or use in conjunction with the built in LED driver VRWLED.

Two white-LEDs drivers are available from the module.

The first driver, “LED_A” is dedicated for the screen backlight and can drive up to four white-LEDs in series.

The second driver, “LED_B” is dedicated for the keypad and can drive up to four white-LEDs in series. The two white-LEDs driver series are fed by a dedicated DC-DC step-up regulator VRWLED. The maximum current delivered by this white-LEDs drivers is 63.75 mA, in order to have an average maximum current within each white-LED of 21.25 mA . The 63.75 mA is switched among the three series of LEDs as described in the below table, the corresponding timing scheme is reported in the below table.

Each series of LEDs has a maximum average current per frame of 21.25 mA ($\frac{63.75 \text{ mA}}{3}$). The frame period is $3 \times T_{CK}$. T_{CK} can be programmed via a register between 2 ms and 6 ms.

The current delivered to each series of white-LEDs is obtained from a dedicated 8-bit DAC-based system. While the 4-LSBs contribution is generated starting from a PWM signal that modulates a 4 mA current level as indicated in the below table.

Input Code Number	Input Code	Average Current (mA)
255 (MAX)	11111111	21.25
254	11111110	21.17
...
240	11110000	20
239	11101111	19.92
...
15	00001111	1.25
14	00001110	1.17
13	00001101	1.08
12	00001100	1.00
11	00001011	0.92
10	00001010	0.83
9	00001001	0.75
8	00001000	0.67
7	00000111	0.58
6	00000110	0.50
5	00000101	0.42
4	00000100	0.33
3	00000011	0.25
2	00000010	0.17
1	00000001	0.83
0 (MIN)	00000000	0

White-LEDs Drivers 8-bit DAC Input Code, Output Current

The DC-DC step-up is based on a control loop, which is composed of a start-up circuit and an amplifier in series with a comparator.

Another dedicated logic is capable to sense if one of the two white-LEDs series does not work properly (open circuit): this logic prevents the divergence of the circuit, forcing a low-voltage level on the gate of the power NMOS transistor in this case. During the normal operation, the NMOS transistors drivers, which are part of the feedback system of the boost, remain saturated with a nominal drain-to-source voltage closed to 1.2 V.

V _{BAT}	P _{OUT} 2 LEDs (mW)	P _{OUT} 3 LEDs (mW)	P _{OUT} 4 LEDs (mW)
5.5	586	873	824
5.4	586	831	834
5.2	586	812	767
5.0	586	799	710
4.8	586	755	645
4.6	586	683	572
4.4	586	637	523
4.2	586	606	487
4.0	586	583	457
3.8	586	535	424
3.6	586	468	377
3.4	586	425	330
3.3	586	401	304

VBAT (V)	Max current (mA)		
	2 LEDs	3 LEDs	4 LEDs
3.6	64	40	25.5

6.6.7. LED VRW (Pin 10)

The VRWLED voltage regulator is a step-up DC-DC converter supplying the White LEDs (20.0V/60mA). The regulated voltage depends on the number of series White-LEDs. The main battery directly supplies VRWLED.

VRWLED	Parameter/Conditions	Min	Typ	Max	Units
Voltage out				20	Vdc
Current				60	mA

L = 2.2 μ H \pm 20%, RDC max = 100 m Ω , C = 2.2 μ F \pm 20% , Zener 20 V Iz typ = 5 mA (min: 4 mA, max: 10 mA), Pd typ = 0.3 W (min: 0.25 W, max: 0.5 W);

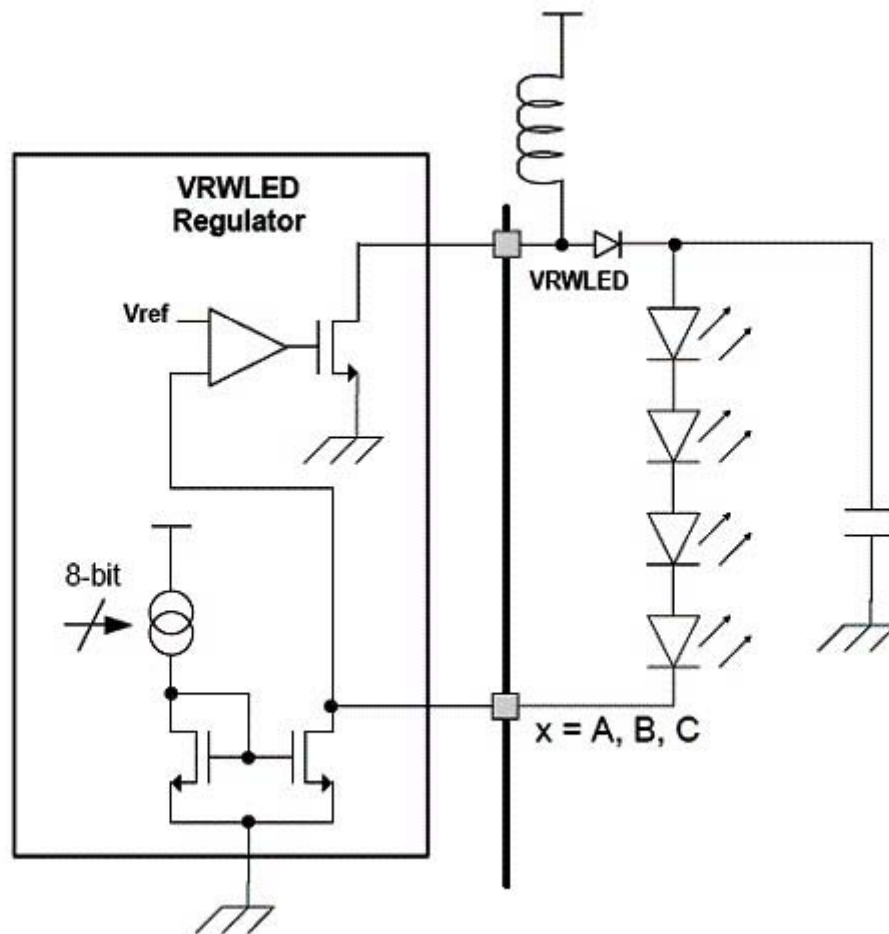


Figure 15 – LED voltage driver circuit

6.6.8. General Purpose Input/Output Interface

GPIO number	Pin number	Secondary function
GPIO 1	64	Pulse Width Tone
GPIO 2	62	USB Boot
GPIO 3	60	Light Output PWM
GPIO 4	58	Transmit active / LED Pulse Generator
GPIO 5	68	SPI Chip Select 0
GPIO 6	70	SPI Strobe Enable
GPIO 7	66	SPI RnW
GPIO 8	72	SPI Data/Control Select

Each general-purpose signal may be selected as inputs or outputs. GPIO1-GPIO8 may be used independently as a user-specified function, or may be used to provide modem control and status signals. Several examples of modem control signals are: power shutdown command, register/deregister on network command, and transmitter disable. Several examples of modem status signals are: registration status and ready-for-power-down status to be used with power shutdown command signal.

I/O Lines	Parameter/Conditions	Min	Typ	Max	Units
V _{IL}	Input Voltage – Low	0		0.60	Vdc
V _{IH}	Input Voltage – High	1.11		1.8	Vdc
V _{OL}	Output Voltage – Low			0.45	Vdc
V _{OH}	Output Voltage – High	1.26			Vdc
I _{OL} / I _{OH}	Rated Output Current			4	mA

Additional GPIO is available as alternate functions of the blocks listed. If the function is selected as a GPIO block then all associated pins will become GPIO, the primary function will be disabled. Electrical specifications for alternate GPIO functions will be the same as their primary pin function.

Primary Function	Primary Function Name	Pin Number	GPIO Number
MSCI	MCSI_CLK	14	GPIO 9
	MCSI_FSYNC	16	GPIO 10
	MCSI_TX	18	GPIO 11
	MCSI_RX	12	GPIO 12
SPI	SPI_CLK	30	GPIO 13
	SPI_MISO	26	GPIO 14
	SPI_MOSI	22	GPIO 15
	SPI_CS0	24	GPIO 16
	SPI_CS1	28	GPIO 17
	SPI_CS2	20	GPIO 18

Some functions have a secondary output that can only be defined as either an input or an output.

Primary Function	Primary Function Name	Pin number	Signal Direction	GPIO number
Keyboard	KBR_0	38	IN	GPI 21
	KBR_1	40	IN	GPI 22
	KBR_2	42	IN	GPI 23
	KBR_3	36	IN	GPI 24
	KBR_4	34	IN/OUT	GPIO 19
	KBC_0	27	OUT	GPO25
	KBC_1	33	OUT	GPO26
	KBC_2	29	OUT	GPO27
	KBC_3	31	OUT	GPO28
	KBC_4	32	IN/OUT	GPIO 20

***SPI, I2C, MCSI and Keyboard are for hardware reference only. There is no generic firmware to support these functions. Firmware must be added to enable these functions (TBD)**

6.6.9. Power Control (Pin 35)

The input is equivalent to the “phone ON-button”. A falling-edge on this Active-Low input will switch-ON the module or switch-OFF the module after a delay. This input has a “weak pull-up” resistor internal to the module. This input can be left grounded if the “RTC Sleep Function” is not required. If RTC Sleep is required, see Section 6.6.10.

Module Reset	Parameter/Conditions	MIN	TYP	MAX	UNIT
V _{IL}	Input Voltage – Low or float			0.9	Vdc
V _{IH}	Input Voltage – High	2.1		5.5	Vdc
I _{PU}	Internal Pull-Up Resistor	-40	-31	-15	μA
ON Pulse Duration		25			mS
OFF Pulse Duration	Programmable		tbd		mS

6.6.10. RTC Sleep

In this mode, the modem is off except for its Real-Time-Clock. When put into this mode, the modem can wake itself up at a designated time/interval.

6.6.11. Serial Interfaces & Handshake (Pins 11, 13, 15, 17, 19, 21, 23, 25)

Pin Name	Pin Number	Signal Direction	Description
UART_TX	15	O	Serial data output
UART_RX	21	I	Serial data input
UART_RTS	13	O	Request to send
UART_CTS	11	I	Clear to Send
UART_DSR	17	I	Data set ready
UART_DTR	25	O	Data terminal ready
UART_DCD	19	O	Data carrier detect
UART_RING	23	O	Ring detect output

Please note that Serial interface is now referenced as a DCE and the naming of pins has changed since Enabler II products

The key features of the UART in the modem mode are as follows:

- 16C750 compatibility
- Baud rate from 300 bits/s up to 3.6864 Mbits/s
- Auto baud between 1200 bits/s and 115.2 kbits/s
- Configurable data format:
 - Data bit: 5, 6, 7, or 8 bits
 - Parity bit: even, odd, none
 - Stop bit: 1, 1.5, 2 bit(s)
- Hardware flow control RTS/CTS
- Software flow control using XON/XOFF characters

The Enabler III-G module is designed to be used like a DCE device.

Default settings are 8 data, 1 stop, no parity, and 115200 baud. DTR may be used to force the modem into AT command mode from online data mode (See AT Command Document, command AT&D). RTS and CTS may be used for hardware handshaking. DSR is always active (connected to ground) while the modem is on. RING may be used to alert the host to a variety of incoming calls.

For a minimal implementation, connect RxData and TxData to the COM port serial data lines, connect DTR and RTS to GND.

Serial I/O & Control	Parameter/Conditions	Min	Typ	Max	Units
V _{IL}	Input Voltage – Low			0.54	Vdc
V _{IH}	Input Voltage – High	1.26		1.95	Vdc
V _{OL}	Output Voltage – Low			0.54	Vdc
V _{OH}	Output Voltage – High	1.26		1.95	Vdc
I _{OL} / I _{OH}	Rated Output Current			2.0	mA

6.6.12. MCSI – Multi-Channel Serial Interface (Pins 12, 14, 16, 18)

Pin Name	Pin Number	Signal Direction	Description
MCSI_RX	12	I	Serial Data Input
MCSI_TX	18	O	Serial Data Output
MCSI_CLK	14	IO	Serial Clock I/O
MCSI_FSYNC	16	IO	Frame Synchronization I/O

The multi-channel serial interface (MCSI) has multi-channel transmission capability. MCSI expand the parallel interface of a MPU or DSP to connect to external devices such as audio codecs and GSM system simulators.

The MCSI on the module provides full-duplex communication with master or slave clock control. All transmission parameters are configurable to cover the maximum number of operating conditions:

- Master or slave clock control (transmission clock and frame synchronization pulse)
- Programmable transmission clock frequency
- Single-channel or multi-channel (x16) frame structure
- Programmable word length: 3 to 16 bits

- Full-duplex transmission
- Programmable frame configuration
- Continuous or burst transmission
- Normal or alternate framing
- Normal or inverted frame polarity
- Short or long frame pulse
- Programmable oversize frame length
- Programmable frame length
- Programmable interrupt occurrence time (TX and RX)
- Error detection with interrupt generation on wrong frame length

GSM digital audio interface (DAI) operating modes (radio uplink, radio downlink, and acoustics). The DAI mode is a GSM test interface that is used to determine the routing of speech data for the devices being tested. In DAI mode, the MCSI is configured for direct connection to the GSM system simulator interface, including the reset system simulator (RSS) signal.

For hardware reference only. There is no generic firmware to support this function. Firmware must be added to enable MCSI (TBD)

6.6.13. I²C (Pins 48, 50)

Pin Name	Pin Number	Signal Direction	Description
I2C_SCL	48	I/O	I ² C interface Master serial clock
I2C_SDA	50	I/O	I ² C interface Serial bi-directional data

The multi-master I²C peripheral provides an interface between a local host (LH) such as an MPU processor and any I²C -bus-compatible device that connects via the I²C serial bus. External components attached to the I²C bus can serially transmit/receive up to 8-bit data to/from the LH device through the two-wire I²C interface.

This I²C peripheral supports any slave or master I²C -compatible device. The I²C bus is a multi-master bus. The I²C controller supports the multi-master mode that allows more than one device capable of controlling the bus to be connected to it. Each I²C device, including the on board processor, is recognized by a unique address and can operate as either transmitter or receiver, according to the function of the device. In addition to being a transmitter or receiver, a device connected to the I²C bus can also be considered as master or slave when performing data transfers. Note that a master device is the device which initiates a data transfer on the bus and generates the clock signals to permit that transfer. During the transfer, any device addressed by this master is considered a slave.

For hardware reference only. There is no generic firmware to support this function. Firmware must be added to enable I²C (TBD)

I ² C	Parameter/Conditions	Min	Typ	Max	Units
VIH	High level input voltage	1.26	1.8	1.9	V
VIL	Low level input voltage	0		0.54	V
II	Input leakage current			±1	µA
VOH	High level output voltage, IO = 3 mA	1.44	1.8		V

VOL	Low level output voltage, IO = 3 mA	0		0.36	V
Iz	Leakage current			± 20	µA

6.6.14. Serial Port Interface (SPI) (Pins 20, 22, 24, 26, 28, 30)

Pin Name	Pin Number	Signal Direction		Description
		Master mode	Slave Mode	
SPI_MOSI	22	O	I	Master Out / Slave In
SPI_MISO	26	I	O	Master In / Slave Out
SPI_CLK	30	O	I	Clock
SPI_nCS0	24	O	I	Chip select out / enable
SPI_nCS1	28	O	I	Chip select out / enable
SPI_nCS2	20	O	I	Chip select out / enable

The Master Slave SPI (MSSPI) is compliant with the SPI standard. It is a bidirectional, four-line interface consisting of:

- Clock, used to shift-in and shift-out data;
- Device enable;
- Data input;
- Data output;

There is one MSSPI module available. It is based on a looped shift register, thus allowing both transmit and receive modes. It can operate in master or in slave mode using MPU / DSP or DMA protocol. In Master mode, the SPI provides up to 3 chip-selects: spi_ncs0, spi_ncs1 and spi_ncs2. In Slave mode, spi_ncs0 is used as the SPI module chip select.

For hardware reference only. There is no generic firmware to support this function. Firmware must be added to enable SPI (TBD)

SPI	Parameter/Conditions	Min	Typ	Max	Units
VIH	High level input voltage	1.17	1.8	1.9	V
VIL	Low level input voltage			0.63	V
VOH	High level output voltage, IO = 2 mA	1.35		1.8	V
VOL	Low level output voltage, IO = 2 mA			0.45	V
Ii	Input leakage current			±1	µA
Iout	Output current		8		mA
PU	PU resistance		18		kΩ
PD	PD resistance		18		kΩ

6.6.15. Keyboard (Pins 27, 29, 31, 32, 33, 34, 36, 38, 40, 42)

Pin Name	Pin Number	Signal Direction	Description
KBC0	27	O	Keyboard matrix column 0 output
KBC1	33	O	Keyboard matrix column 1 output
KBC2	29	O	Keyboard matrix column 2 output
KBC3	31	O	Keyboard matrix column 3 output
KBC4	32	O	Keyboard matrix column 4 output
KBR0	38	I	Keyboard matrix Row 0 input
KBR1	40	I	Keyboard matrix Row 1 input
KBR2	42	I	Keyboard matrix Row 2 input
KBR3	36	I	Keyboard matrix Row 3 input
KBR4	34	I	Keyboard matrix Row 4 input

The module keyboard controller implements a built-in scanning algorithm for hardware-based key press decoding and allows MPU software overhead reduction. The keyboard controller can handle up to 5 x 5 keyboards, operates on a 32 kHz clock, and can generate wake-up events when the device is in sleep mode.

The keyboard controller includes the following main features:

- Support of multi-configuration keyboards up to 5 rows x 5 columns
- Integrated programmable timer
- Event detection on both key press and key release
- Multi-key press detection and decoding
- Long key detection on prolonged key press
- Programmable time-out on permanent key press or after keyboard release

For hardware reference only. There is no generic firmware to support this function. Firmware must be added to enable Keyboard functions (TBD)

Keyboard	Parameter/Conditions	Min	Typ	Max	Units
VIH	High level input voltage	1.17	1.8	1.9	V
VIL	Low level input voltage			0.63	V
VOH	High level output voltage, IO = 4 mA	1.35		1.8	V
VOL	Low level output voltage, IO = 4 mA			0.45	V
I _I	Input leakage current			±1	µA
I _{out}	Output current		8		mA
PU	PU resistance		18		kΩ
PD	PD resistance		90		kΩ
I _z	Leakage current			± 20	µA

6.6.16. V_{BACKUP} Input (Pin 83)

The backup battery can be recharged from the main battery. A programmable voltage regulator powered by the main battery allows recharging the backup battery. The backup battery charge starts when the following conditions are met:

Backup battery charge is enabled by a control bit:

- Main Battery voltage > Backup Battery voltage
- Main battery > 2.8 Vdc

Note: If the backup battery is not present, the backup battery pin is connected to main battery pin
V_{BACKUP} is a power input for the Real-Time-Clock when using RTC-Sleep Function (Section 6.6.10)

V _{BACKUP}	Parameter/Conditions	Min	Typ	Max	Units
Input Voltage Range	ON mode	2.5	V _{CC1}	5.5	Vdc
	BACKUP mode, VBAT=0v	1.9	V _{BACKUP}	5.5	
	BACKUP mode, VBACKUP=0v	1.9	V _{CC2}	3.0	
Input Current				10	μA

6.6.17. Using VBAK

VBAK is a backup voltage that can maintain the RTC clock and alarm functions. If **VBAK** is not present in the system (intentionally or not) the RTC clock may still be powered if leakage voltage exists on VCC. Otherwise, the RTC clock will lose power and be reset when VCC is restored.

PARAMETER	PARAMETER / CONDITIONS	MIN	TYP	MAX	UNIT
Backup Voltage (Real-Time-Clock)					
V_{BACKUP}	Backup Voltage for Real-Time-Clock	2.7	3.0	4.5	Vdc
I_{BACKUP}	Input Current (V _{BACKUP} = 3.2 V, V _{BAT} = 0 V, No Load on GPIO or Serial Port)		3.0	6.0	μAdc

VBAK had been tested in the above scenarios and does not contribute to leakage. It will properly provide backup power to the RTC clock.

6.6.18. 32 kHz output (Pin 56)

A 32.768 kHz signal is available as an output from the module. This signal should only be used as an input to a high impedance device. Additional loads or capacitance on the line may cause performance issues with the module. If the line is not used, leave floating.

32kHz Clock-Out	Parameter/Conditions	Min	Typ	Max	Units
V _{IH}					Vdc
V _{IL}					Vdc
Maximum capacitor load				tbd	pF
Maximum resistive load					Ω
Frequency	± 30 ppm		32.768		kHz

6.6.19. 13 MHz output (Pin 52)

A 13 MHz signal is available as an output from the module. This signal should only be used as an input to a high impedance device. Additional loads or capacitance on the line may cause performance issues with the module. If the line is not used, leave floating.

13 MHz Clock-Out	Parameter/Conditions	Min	Typ	Max	Units
V _{IH}		TBD			Vdc
V _{IL}				0.3	Vdc
Maximum capacitor load				TBD	pF
Maximum resistive load				TBD	Ω
Frequency	±0.1 ppm when registered on GSM network; ±12 ppm typical when not registered;		13.000		MHz

6.6.20. Analog-To-Digital Input (Pin 74)

The monitoring ADC (MADC) consists of a successive approximation 10-bit analog-to-digital converter (ADC).

Analog-To-Digital Input	Parameter/Conditions	Min	Typ	Max	Units
ADC _{BRES}	ADC Binary Resolution			10	Bits
ADC _{REF}	ADC Reference Voltage		1.75		Vdc
V _{ADC}	ADC Range	0		1.75	Vdc
Integral/Differential Non-Linearity		-2		2	LSB
Input Leakage			tbd		μA
Retuning Frequency			1		MHz

6.6.21. Handset Microphone Input (Pins 65, 67)

The handset differential inputs MICIP and MICIN can be amplified by the differential handset microphone amplifier. This amplifier has a gain of 25.6 dB and a bias generator MICBIAS provides an external voltage of 2 V or 2.5 V to bias the microphone.

Handset Mic Input	Parameter/Conditions	Min	Typ	Max	Units
Maximum Input Range – Mic(+) to Mic(-)	Inputs 3 dBm0 (Max. digital sample amplitude when PGA gain set to 0 dB)			32.5	mV _{RMS}
Nominal Ref. Level – Mic(+) to Mic(-)	Differential MIC		-10		dBm0
Differential Input Resistance – Mic(+) to Mic(-)	Differential MIC, MICAMP gain = 25.6 dB (INMODE = 0001)		36		kΩ
Microphone Pre-Amplifier Gain	Differential MIC		25.6		dB

6.6.22. Handset Microphone Bias Output (Pin 63)

Mic Bias Output	Parameter/Conditions	Min	Typ	Max	Units
Bias Voltage on Mic(+)	Set to 2.0 V	1.9		2.1	Vdc
	Set to 2.5 V	2.4		2.6	Vdc
Mic Bias Current Capability				2.0	mA

6.6.23. Handset Speaker Output (Pins 71, 73)

Pin Name	Pin Number	Signal Direction	Description
EARP	71	O	Earphone positive output
EARN	73	O	Earphone negative output

The earphone amplifier provides a full differential signal on the terminals EARP and EARN (Earphone).

Handset Spkr Output	Parameter/Conditions	Min	Typ	Max	Units
Maximum Differential Resistive Load	Output Swing 3.9 V _{PP}		120		Ω
	Output Swing 1.5 V _{PP}		33		Ω
Maximum Differential Capacitive Load				100	pF
Common Mode Minimum Resistive Load	At Internal Speaker (+) or (-)		200		kΩ
Common Mode Maximum Capacitive Load	At Internal Speaker (+) or (-)			50	pF
Amplifier Gain	EARG = 1		1		dB
	EARG = 0		-11		dB

Parameter	Test Conditions	Min	Typ	Max	Units
Earphone output swing at EARP-EARN	Distortion ≤ 2% and 120 Ω, VSP input level = +3 dBm ₀ , amp gain = -11 dB		0.98		V _{P-P}
	Distortion ≤ 2% and 33 Ω, VSP input level = -5.34 dBm ₀ , amp gain = -11 dB		0.38		
	Distortion ≤ 2% and 120 Ω, I2S input level = +3 dBm ₀ , amp gain = -11 dB		0.93		
	Distortion ≤ 2% and 120 Ω, VSP input level = +3 dBm ₀ , amp gain = 1 dB	3.1	3.92		
	Distortion ≤ 2% and 33 Ω, VSP input level = -5.34 dBm ₀ , amp gain = 1 dB	1.2	1.5		
	Distortion ≤ 2% and 120 Ω, I2S input level = +3 dBm ₀ , amp gain = 1 dB	2.96	3.7		
Earphone amplifier gain	EARG = 1		1		dB
	EARG = 0		-11		dB
Earphone amplifier state in power down			High Z		
Earphone amplifier power supply rejection	1 kHz, 100 mVp-p		50		dB

An external audio amplifier should be used for loads of less than 16 Ω or if volume is inadequate.

6.6.24. Headset Microphone Input (Pin 55)

The headset differential inputs HSMIC and AUXI can be amplified by the differential handset microphone amplifier. This amplifier has two different gains 4.9 dB or 25.6 dB and a bias generator HSMICBIAS provides an external voltage of 2 V or 2.5 V to bias the microphone. Headset Mic Input	Parameter/Conditions	Min	Typ	Max	Units
Maximum Input Range	Inputs 3 dBm0 (Maximum digital sample amplitude with PGA gain set to 0 dB), <i>AUXAMP</i> gain = 18 dB, Single HSMIC			78	mV _{RMS}
Nominal Ref. Level			-10		dBm0
Microphone Pre-Amplifier Gain				18	dB
Input resistance at HSMIC	HSMIC single input, <i>AUXAMP</i> gain = 18 dB (INMODE = 0101)		40.5		kΩ

6.6.25. Headset Microphone Bias Output (Pin 53)

Mic Bias Output	Parameter/Conditions	Min	Typ	Max	Units
Bias Voltage on Mic(+)	Set to 2.0 V	1.9		2.1	Vdc
	Set to 2.5 V	2.4		2.6	Vdc
Mic Bias Current Capability				2.0	mA

6.6.26. Headset Speaker Output Left & Right (Pins 57, 59)

Pin Name	Pin Number	Signal Direction	Description
HSOL	57	O	Headset Out 32Ω Speaker Left
HSOR	59	O	Headset Out 32Ω Speaker Right
HSOVMID	61	I	Headset Out pseudo ground return

The left and right headset amplifiers provide the stereo signal on terminals HSOL and HSOR. A pseudo ground is provided on terminal HSOVMID to eliminate external capacitors. The mono audio signal can be provided on the Right or the Right and Left headset outputs.

Headset Spkr Output	Parameter/Conditions	Min	Typ	Max	Units
Maximum Swing	Distortion \leq 2% and 32 Ω , VSP input level = +3 dBm0	1.6	1.96		V_{P-P}
	Distortion \leq 2% and 32 Ω , I ² S input level = +3 dBm0	1.48	1.85		
Maximum Capacitive Load				100	pF
Minimum resistive load at HSOL and HSOR: Zload			32		Ω
Amplifier Gain			-5		dB
HSOL/R amplifier Power supply rejection	1 kHz, 100 mVpp		50		dB
Amplifier State in Power Down			High Z		

The left and right channels of the headset speaker output are a single ended output. An external audio amplifier should be used for loads of less than 32 Ω or if volume is inadequate.

6.6.27. Headset Output Common Mode (Pin 61)

The left and right headset amplifiers provide the stereo signal on terminals HSOL and HSOR. A pseudo ground is provided on terminal HSOVMID to eliminate external capacitors.

HSOVMID	Parameter/Conditions	Min	Typ	Max	Units
Maximum Capacitor Load				200	pF
DC Level		1.2	1.35	1.5	V

6.6.28. Headset Detect (Pin 47)

Headset Plug/Unplug detection:

- 2 modes:
 - Module already ON (Battery connected, VRIO ON) and plug event;
 - Module OFF and plug event: the plug detection will be effective once VRIO is set ON
- Plug and unplug detections are digitally debounced (debouncing time = 8 ms).
- The jack plug detection feature is addressed through the HSDDET pin. The integrated pull up, connected to the pin, forces a high level (VBAT) when the headset load is not connected. At jack insertion headset load connection ($32\ \Omega$) imposes a low level on that node (Headset left channel): as an example HSDDET = 1 mV after jack plug for VBAT = 4 V.
- Input comparator threshold voltages are defined as $V_{Tlow} = V_{BAT}/2 - 100\text{ mV}$ and $V_{Thigh} = V_{BAT}/2 + 100\text{ mV}$, $V_{BATmin} = 3.2\text{ V}$. The plug and unplug detection remains functional if there is no signal from HSOL amplifier output (stereo path is OFF) or if there is a signal from HSOL (stereo path is ON): maximum level on HSOL when the stereo path is ON is 1 Vp-p which stays far enough from the comparator threshold levels $V_{BATmin}/2 - 100\text{ mV}$ and $V_{BATmin}/2 + 100\text{ mV}$.
- Jack plug detection is functional if a plug event occurs before the power up of the module or if the plug event occurs after the power up of the module: analog detection part is always active if the battery is connected. Detection interrupts will be generated once the VRIO regulator is power up during the module power up sequence.
- A level change on HSDDET pin is sensed by a Schmitt trigger to provide a jack detection signal to the audio digital control. The audio digital control receives the detection signal and proceeds to a digital debouncing (time: $8\text{ ms} = 256 * 32\text{ kHz clock periods}$) before sensing that a plug event happened on the jack connector.

Headset Detect	Parameter/Conditions	MIN	TYP	MAX	UNIT
Low level input voltage VIL related to VBAT				$0.3 * V_{BAT}$	V
High level input voltage VIH related to VBAT		$0.7 * V_{BAT}$			V
Current with pull-up		-40	-31	-15	μA

6.6.29. Audio Mixer input (Pins 49, 56)

The mono FM input (mono FM - VMID) can be amplified by the auxiliary amplifier. This amplifier has a gain of 4.9 dB. The stereo FM inputs can be amplified as well. The FM right channel is amplified by the auxiliary amplifier (FM R - VMID) and the left channel by the handset microphone amplifier (FM L - VMID). The gains are of 4.9 dB. This output is not connected to the ADC input, like the other outputs, but to an audio output stage through a logarithmic PGA gain stage.

If the analog input is a stereo signal, the FML input corresponds to the analog left channel input and the FMR/AUXI input corresponds to the analog right channel input.

If the analog input is a mono signal, the FMR/AUXI input has to be used only.

PARAMETER	Parameter/Conditions	Min	Typ	Max	Units
Maximum Input Range FML	Inputs 3 dBm0 (Maximum digital sample amplitude with PGA gain set to 0 dB), <i>MICAMP</i> gain = 4.9 dB, Single FML			353	mVrms
Maximum Input Range FMR (= AUXI)	Inputs 3 dBm0 (Maximum digital sample amplitude with PGA gain set to 0 dB), <i>AUXAMP</i> gain = 4.9 dB, Single FMR (AUXI)			353	mVrms
Nominal Reference Level at FML	Nominal reference level at FML		-10		dBm0
Nominal Reference Level at (AUXI/FMR)	Single AUXI/FMR		-10		dBm0
Micro Amplifier Gain for FML input	Single FML input for FM Stereo (INMODE = 0100)		4.9		dB
Auxiliary Amplifier Gain for AUXI/FMR input	Single AUXIFMR input for FM Stereo (INMODE = 0100)		4.9		dB
	Single AUXI input, low gain (INMODE = 0110)		4.9		dB
	Single AUXI input, high gain (INMODE = 0111)		28.2		dB
Input Resistance at AUXI/FMR	Single AUXI input, <i>AUXAMP</i> gain = 4.9 dB		130.5		k Ω
	Single AUXI input, <i>AUXAMP</i> gain = 28.2 dB (INMODE = 0111)		13.5		k Ω
	FM Mono (INMODE = 1000), <i>AUXAMP</i> gain = 4.9 dB		130.5		k Ω
	FM Stereo (INMODE = 0100), <i>AUXAMP</i> gain from 2.9 dB to 18.9 dB		36		k Ω
Input resistance at FML	FM Stereo (INMODE = 0100), <i>MICAMP</i> gain from 2.9dB to 18.9 dB		36		k Ω

6.7. Subscriber Identity Module (SIM) Carrier

The SIM, an integral part of any GSM terminal device, is a “smart card” that is programmed with subscriber information:

- The user information consists of an International Mobile Subscriber Identity (IMSI) number, which is registered with the GSM provider, and an encryption Ki (pronounced "key"). This information consists of a microprocessor and memory installed on a plastic card.

Note: The SIM is not provided with the Enfora Enabler III-G module. The SIM must be obtained from the GSM service provider and must be provisioned by the operator for data and/or voice. Always take care to protect the SIM: the GSM terminal will not operate without the SIM installed.

The SIM provides the IMSI for authentication. To gain access to the GSM network, the network must recognize the IMSI number, and the terminal must be able to properly decrypt the data sent by the network. The SIM also serves as a buffer for SMS messages, storing the message for transmission until a radio link is available and buffering received messages until retrieved.

6.7.1. SIM Integration for the Enfora Enabler III-G Module

The Enabler III-G module default configuration does not include an on-board SIM carrier. Enfora provides a separate product SKU for the Enabler III-G module with the integrated SIM carrier.

6.7.2. Using a Remote SIM with the Enfora Enabler III-G Module (Pins 76, 78, 80, 82, 84)

The Enabler III-G module default configuration does not include an on-board SIM carrier.

The module supports the use of 1.8 V and 3 V SIM cards. The module includes a hardware interface module dedicated to Universal Subscriber Identity Module (USIM). All baud-rates defined in ISO 7816-3 standard are supported for high-speed transmission.

The module optionally includes an on-board SIM carrier. All other modules require a remote SIM carrier/connector. If the module is going to be integrated using a remote SIM, the following guidelines are provided:

- To utilize a remote SIM, the integrator must provide a suitable SIM connector.
- The maximum distance from the module to the remote SIM connector must not exceed 25.4 cm (10 inches).
- External ESD Protection is Required;
 - 15 kV Air Discharge;
 - 8 kV Contact Discharge;

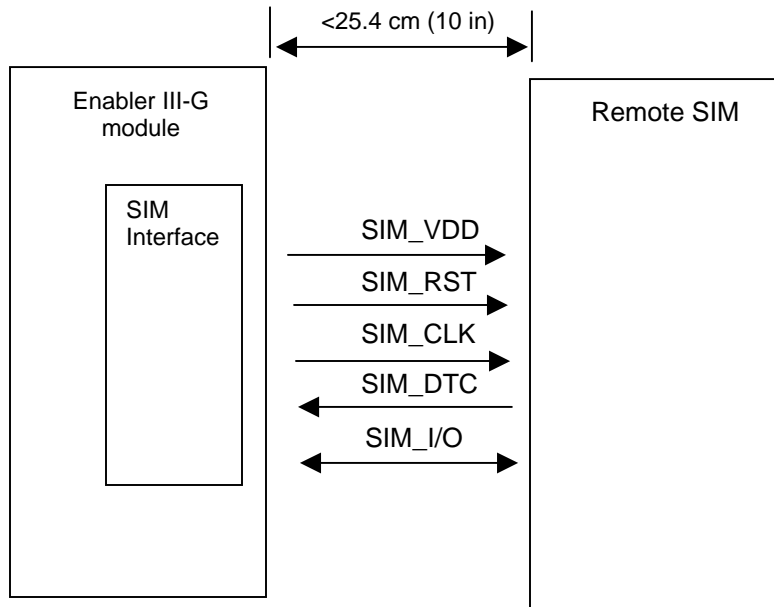


Figure 16 - Remote SIM Interface

Pin Name	Pin Number	Signal Direction	Description
SIM_VDD	76	O	SIM VDD
SIM_CLK	78	O	Card Reference Clock
SIM_RST	80	O	Card Reset
SIM_I/O	82	I/O	Card I/O Data
SIMDTC	84	I	Card detect

The module provides the regulated supply voltage for the SIM-card and the circuitry to detect the insertion or extraction of the SIM-Card in or from the mobile.

When the SIM-card is inserted, a mechanical contact connected on the module terminal is tripped and after debouncing, an interrupt is generated. The SIM-card presence detection logic must be active even when the system is in idle mode. Thus, the debouncing logic is based on the 32 kHz low-activity clock.

The signal from SIMDTC is pre-processed depending on the detection system and on the internal pull-up/pull-down configuration.

USIM	Parameter/Conditions	Min	Typ	Max	Units
VDD	SIM VDD voltage	1.65	1.8	1.95	V
		2.7	2.85	2.95	V
VIH	High level input voltage	1.15			V
VIL	Low level input voltage			0.61	V
VOH	High level output voltage, IO = 4 mA	Vdd-0.45			V
VOL	Low level output voltage, IO = 1 mA			0.4	V
Ii	Input leakage current			±1	µA
Iout	Output current		4		mA
PU	PU resistance		32		kΩ
PD	PD resistance		30		kΩ
Iz	Leakage current			± 30	µA
Card Detect	Debouncing time (SIM-card insertion)	0.5		8	mS
	Time unit (SIM-card insertion)		0.5		mS
	Debouncing time (SIM-card extraction)	0.5		8	mS
	Time unit (SIM-card extraction)		0.5		mS
	Pull-down resistor (resistor + resistive switch)		345		kΩ
	Pull-up resistor (resistor + resistive switch)		475		kΩ

6.7.2.1. Remote SIM Component Information

A SIM carrier compatible for use on the Enabler III-G module is a Suyin
P/N: 254016MA006G103ZL

7. GSM/GPRS Modes of Operation

GSM/GPRS supports many optional services and modes. The Enfora Enabler III-G module supports the following GSM/GPRS services:

- Circuit-switched data
- Short-Message Services (SMS)
- Class B GPRS Functionality
- Voice communication

7.1. Enabling the Transmission Modes for the GSM/GPRS Services

Each of the GSM/GPRS services has two modes that can be enabled separately:

- Mobile-originated (MO): allows the making of a service request (such as, making a telephone call or sending an SMS)
- Mobile-terminated (MT): allows receiving a service request (such as receiving a telephone call or an SMS)

Note: Contact your local GSM operator to ensure that the services and modes have been provisioned for the SIM.

7.2. Voice Communication

The Enfora Enabler III-G module has full voice capabilities, provided the necessary connections have been made for the speaker and microphone pins on the 100-pin I/O connector. The Enfora **Enabler-III-G AT Command Set Reference - GSM0308PB001MAN** has the entire list of commands that can be used to control the voice functionality. The quick start guide in this manual provides a basic command set that can be used to initialize and test the voice functionality.

The Enfora Enabler III-G module supports three vocoder compression algorithms for voice communication: Full-Rate (FR), Enhanced Full-Rate (EFR), and Half-rate (HR).

7.3. Circuit-Switched Data

In this mode, the Enfora Enabler III-G module supports both of the connection modes of transmission that are provided by GSM:

- Non-Transparent mode delivers a constantly low error rate but with a non-guaranteed throughput or delay. The Non-Transparent service provides a performance that is closest to using a modem over a fixed Public Switched Telephone Network (PSTN) line.

Note: All GSM service providers may not support transparent mode. In those cases, the Enfora Enabler III-G module can be configured to switch automatically to Non-Transparent mode. This capability depends on the settings in the AT+CBST command.

7.4. SMS: Short Message Services

- Short Message Services (SMS) is a feature-rich GSM service. The Enfora Enabler III-G module can perform the following tasks:
- Sending and receiving binary messages of up to 160 characters (7-bit characters)
- Sending and receiving text messages of up to 140 bytes (8-bit data)
- Submitting a SMS Protocol Data Unit (PDU) to a SMSC (Short Message Service Center) and storing a copy of the PDU until either a report arrives from the network or a timer expires
- Receiving a SMS PDU from a SMSC
- Returning a delivery report to the network for a previously received message
- Receiving a report from the network
- Notifying the network when the module has sufficient memory capacity available to receive one or more SMS messages (after the module had previously rejected a message because its memory capacity was exceeded)

8. SIM Operation

8.1. Provisioning the SIM

The SIM can support optional features or services. Most operators typically configure the SIM to send/receive voice calls and to receive SMS; however, some may require an additional tariff to enable the SIM to send SMS. The transmission of circuit switched and GPRS data are also additional services that may be required to allow the service:

- Mobile-originated (MO): allows making a service request (such as, making a call or sending an SMS)
- Mobile-terminated (MT): allows receiving a service request (such as, receiving a phone call or an SMS)

It is imperative for the Enfora Enabler III-G module that the SIM be configured for the optional services that are required for the application.

8.2. GSM Services Supported by the Enfora Enabler III-G Module

The Enfora Enabler III-G module supports four GSM services (modes of operation) that must be enabled by the operator:

- Voice calls (MO and MT): requires a telephone number
- SMS (MO and MT): uses the telephone number for Voice
- Circuit-switched data calls (MO and MT): requires a telephone number
- The GSM SIM can have multiple telephone numbers.

8.3. GPRS Services Supported by the Enfora Enabler III-G Module

The Enfora Enabler III-G module supports the following GPRS (modes of operation) that must be enabled by the operator:

- GPRS Packet Connectivity (MO and MT) with Both Dynamic and Static IP option
- GPRS SMS (MO and MT): uses the IP (Dynamic or Static) set by the operator
- Multiple APN Setting
- Quality of Service Options
- Multi-slot 10 Class of Service

8.4. Selecting the GSM Modes of Operation

When provisioning the SIM for the Enfora Enabler III-G module, enable the following modes of operation:

- Voice calls: configure the SIM for both MO and MT service (to send and receive)
- SMS: configure the SIM either for MT alone (to receive) or for both MO and MT (to send and receive)
- Circuit Switched Data: configure the SIM either for MO alone (to send) or for both MO and MT (to send and receive)

Voice	SMS	CS Data	GPRS	Function
MO/MT	MT	MO		Voice calls, receive SMS, make data calls
MO/MT	MO/MT	MO		Voice calls, receive / send SMS, make data calls
MO/MT	MO/MT	MO/MT		Voice calls, receive / send SMS, make / receive data calls (requires an additional data telephone number)

9. Software Interface

9.1. Software Interface

The application sends commands to the Enfora Enabler III-G module via the 100-pin I/O signal connector. These commands use the Enfora AT Command Set and/or Enfora's Packet API.

The Enfora Enabler III-G module operates in one of the following modes:

- **Command mode:** Used for configuring the Enfora Enabler III-G module, for interrogating the GSM network, and for placing and receiving calls. It uses the AT command set via the serial port for communication.
- **On-line mode:** Used after a circuit-switched data call has been established. Data is passed between the Enfora Enabler III-G module and the controlling application without command interpretation. The only AT command that is interpreted in On-line mode is the +++ command. (This command places the Enfora Enabler III-G module in Command mode but does not terminate the circuit-switched data call.)
- **IP Packet /API Mode:** Used to read/write modem parameters, interrogate network information, and place and receive calls in real-time, multi-tasking mode. The Packet API mode is facilitated over a PPP connection and the packets can be constructed according to the information provided in the *Enfora GSM-GPRS Family API Reference GSM0102PB002MAN*. *Enfora GSM-GPRS Family Modem Control Library Reference GSM0000PB006MAN* provides detail of the UDP Modem Control Library that has three levels: port, messaging, and modem libraries. Each of the three levels contains one or more libraries. For example, the port libraries layer has UDP PPP Port, UDP Socket Port, and COM Port libraries. All libraries are provided as a part of the Enfora Enabler III-G Module Integration Toolkit.

The AT command driver of the Enfora Enabler III-G module never exits the Command state, that is, it never enters the On-line mode. Although the host interface may not be able to access the AT command interpreter, it is always running and is available via the API Mode over a PPP connection and/or via the RF interface.

- In the Command state, characters that are received from the Customer Premise Equipment (CPE) are treated as AT commands by the Enfora Enabler III-G module.
- In response to the commands received from the CPE, the Enfora Enabler III-G module sends characters (AT commands) to the CPE.
- Various events can also trigger the Enfora Enabler III-G module to send characters (AT commands) to the CPE.

9.2. Format for the AT Commands

The general format of the command line is: **<prefix> <command> <CR>**

<prefix>	AT
<command>	See AT Command Manual
<CR>	0X0D

The prefix AT obtains synchronization, identifies the character parameters, and indicates that a command may be in the following characters.

AT commands are not case sensitive: use either capital letters or lower-case letters for the AT command.

Note: Some AT Command parameter values **ARE** case sensitive and are documented in the Enfora **Enabler-III AT Command Set Reference - GSM0107PB001MAN**.

9.3. Enfora AT Command Set

For a full description of the AT commands, refer to the Enfora *Enabler-III AT Command Set GSM0308PB001MAN*.

Note: A command description that includes an *asterisk denotes that the GSM service provider must enable supplementary services functionality before the command is available.

9.4. Enfora Packet Application Programming Interface

9.4.1. UDP-API Architecture

The following information provides an overview of the Enfora UDP-based API architecture. Full details are provided in the *Enfora GSM-GPRS Family UDP-API Reference GSM0102PB002MAN*.

Figure 18 provides the general structure for the UDP-API.

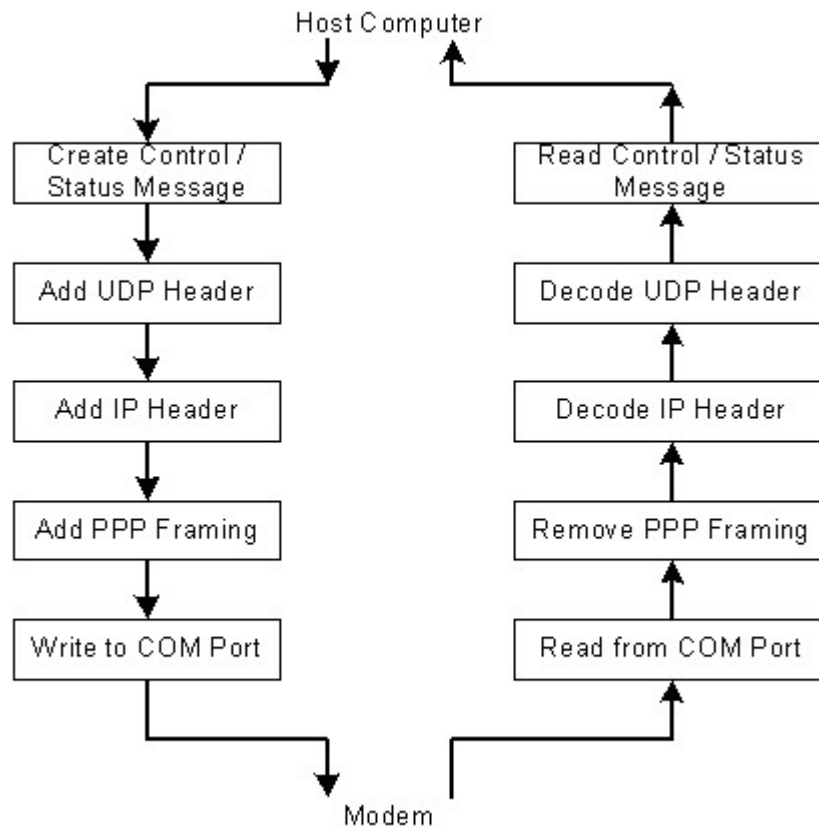


Figure 17 - UDP-API Structure

The following provides information related to the general construction of the UDP-API packet. Other command structures are available and can be found in the API reference manual.

All AT commands listed in the *GSM0308PB001MAN* document are supported via this method. To send an AT command via DUN or OTA, the user has to follow the following message structure. This message structure sends the AT command to the modem and receives Enfora, Inc. response from the modem.

Bytes	Data Description	Comments
0 – 19	IP Header	
20 – 27	UDP Header	
28	0x00	Sequence Number
29	0x01	
30	0x04	AT Command Read/Write
31	0x00	Reserved
32	0x41	AT Command (ATI)
33	0x54	
34	0x49	

Following data will be returned by the modem:

Bytes	Data Description	Comments
0 – 19	IP Header	
20 – 27	UDP Header	
28	0x00	Sequence Number
29	0x01	
30	0x05	AT Command Response
31	0x00	Reserved
32	0x0D	AT Command Response (Enfora, Inc.)
33	0x0A	
34	0x45	
35	0x6E	
36	0x66	
37	0x6F	
38	0x72	
39	0x61	
40	0x2C	
41	0x20	
42	0x49	
43	0x6E	
44	0x63	
45	0x2E	
46	0x0D	
47	0x0A	

9.5. Enfora Modem Control Library Architecture

The following information provides an overview of the Enfora Modem Control Library architecture. Full details are provided in the *Enfora GSM-GPRS Family Modem Control Library Reference GSM0000PB006MAN*.

Figure provides the general embedded architecture for the Enabler III-G modem. There are various levels of access provided to allow complete application design flexibility. **SLIP access is not currently available.**

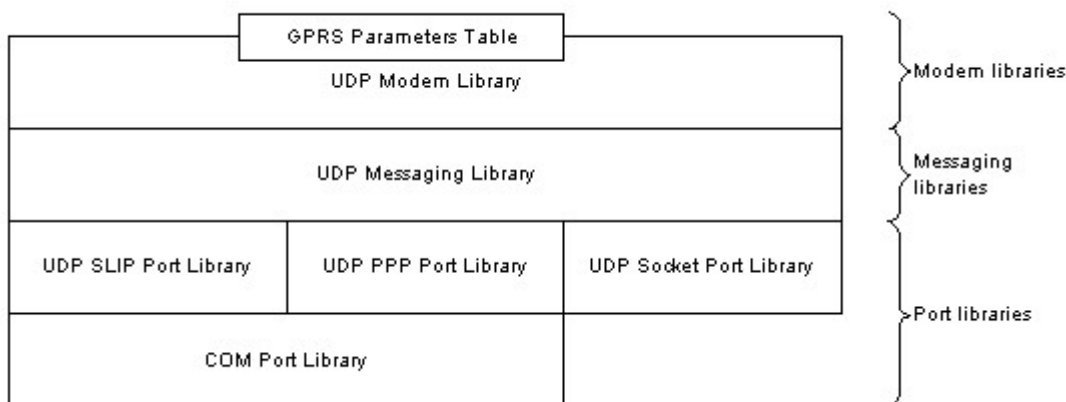


Figure 18 - Library Layout

The table below can be used to help decide which library configuration is the best for a project. **SLIP access is not currently available.**

	UDP SLIP Port Library	UDP PPP Port Library	UDP Socket Port Library	UDP Messaging Library with	UDP Messaging Library with	UDP Messaging Library with	UDP Modem Library with	UDP Modem Library with	UDP Modem Library with
Benefits									
Allows dynamic IP assignment		●	●		●	●		●	●
Allows multiple application to access the modem			●			●			●
Allow AT Commands	●	●		●	●		●	●	
Allows modem control message	●	●	●	●	●	●	●	●	●
Provide modem control message formatting				●	●	●	●	●	●
Provides modem parameters database service							●	●	●
Suitable for microcontroller programming	●	●	●	●	●	●			
Requirements									

Requires TCP/IP stack			•			•			•
Memory usage	Low	Low	Low	Low	Low	Low	High	High	High

Table 3 - Modem Library Configurations

9.5.1. Using Port Library

Figure provides the architecture for Port Library access.

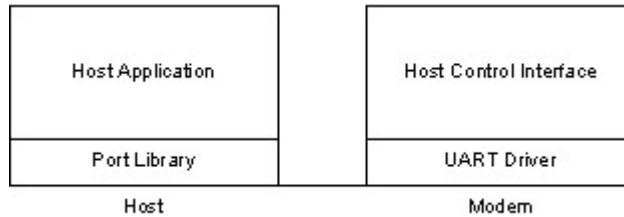
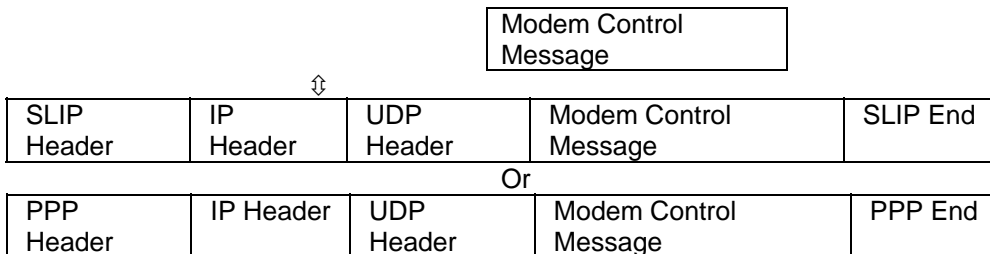


Figure 19 - Using Port Library

Port Libraries provide the most basic modem access services. It converts modem control messages to either UDP SLIP or UDP PPP, and vice versa. **SLIP access is not currently available.**



9.5.2. Using Messaging Library

Figure provides the architecture for Messaging Library access.

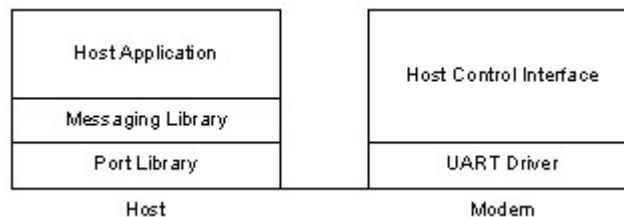
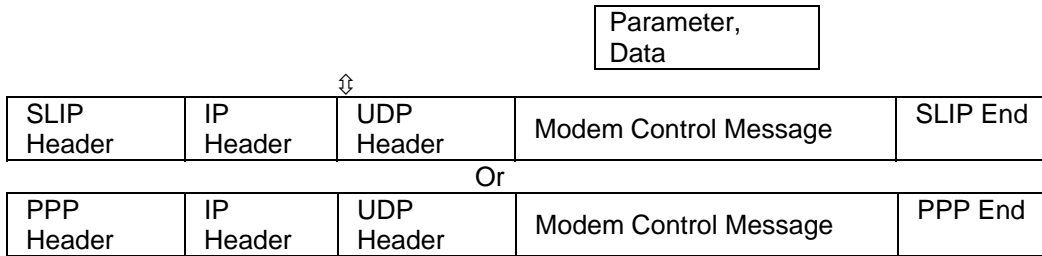


Figure 20 - Using Messaging Library

Messaging Library provides some important modem access services. It builds a modem control message and converts the message to either UDP SLIP or UDP PPP before sending the data to the modem. It also parses the modem control messages from the modem. **SLIP access is not currently available.**



9.5.3. Using Modem Library

Figure provides the architecture for Modem Library access.

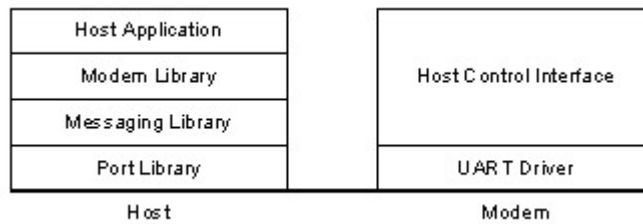


Figure 21 - Using Modem Library

Modem Library provides the most complete modem access services. In addition to the features already provided by the Messaging Library, the modem library maintains a modem parameter database. In order to maintain the parameter database, the modem library requires more memory than the other libraries. This makes the library unsuitable for some of the micro controller programming. However, it is a good library to use by applications in a personal computer or a PDA. It allows the programmer to develop host applications for the modem quickly.

10. Setup and Initialization

10.1. General Setup

The GPRS modem is controlled through the Modem RS232 port on the development board. Connect a nine pin straight through serial cable from the Modem RS232 connector to the serial port on the controlling computer.

Hook up power supply, connect antenna, and install SIM into modem.

10.1.1. HyperTerminal Configuration for Enabler III-G module

The following provides an example for setting up a Windows HyperTerminal session that can be used to experiment with various configurations on the Enabler III-G module for controlling computer:

1. Select the connection interface, Direct to Com 1 (or whatever port is the serial port).



Figure 22 - HyperTerminal Definition

2. Configure the COM port as displayed below.

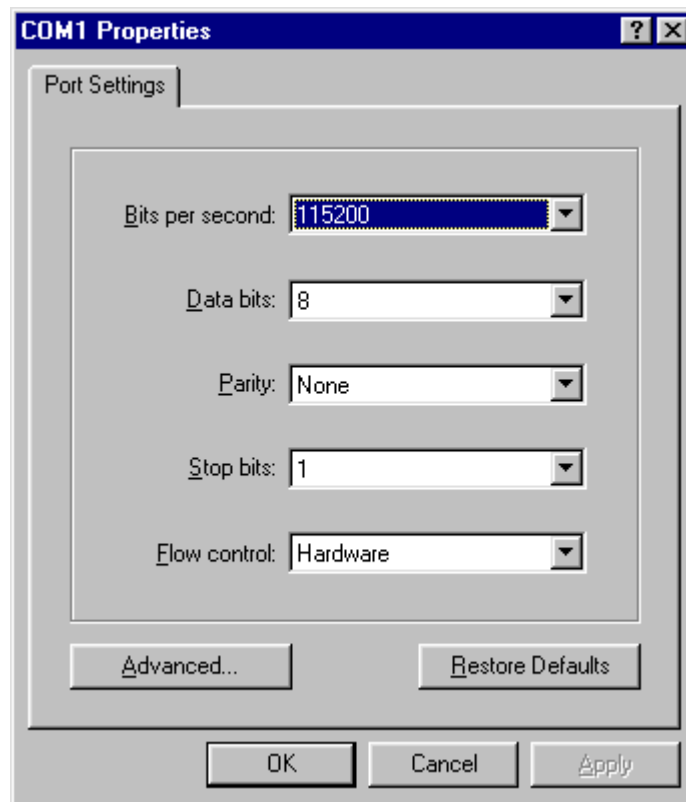


Figure 23 - COM Port Settings

10.1.2. Initialization (AT Command Interface)

In the GSM vocabulary, a call from GSM mobile to the PSTN is called a "mobile-originated call" or "outgoing call". A call from the fixed network to a GSM mobile is called a "mobile-terminated call" or "incoming call."

In the following examples, "Entry" refers to the application. The following convention describes the direction of the data exchange:

- The data exchange from the customer application to the Enfora Enabler III-G module is designated as:

Entry

The data exchange from the Enfora Enabler III-G module to the customer application is designated as:

Response

Note: With the exception of the +++ command (Online Escape Sequence), all commands must be preceded by the AT attention code (or command prefix) and terminated by pressing the <CR> character.

In the following examples, the <CR> and <CR><LF> are intentionally omitted for clarity and space.

10.1.3. Initial Response to the AT Command

After power is applied to the Enfora Enabler III-G module, the module performs a power-up self-test. The self-test completes within one (1) second. When queried with the AT command, the Enfora Enabler III-G module responds with one of the following result codes:

- OK signifies that the Enfora Enabler III-G module is ready, that it correctly interprets the AT command, and that it has executed the command.
- ERROR signifies that the Enfora Enabler III-G module does not understand the command or that the command is invalid.

Entry	AT	
Response	OK	Command valid: module is ready

The Enfora Enabler III-G module must be in AT Command mode (please refer to section 10.3 GPRS Packet Examples for packet mode initialization and setup) when any command is entered (with the exception of the online escape sequence). Commands entered when the module is in On-line mode are treated as data, and are transmitted as such to the receiving module. i.e. If the module is in PPP or SLIP mode, AT commands cannot be entered.

10.1.4. Sending an Initialization String to the Enfora Enabler III-G Module

The following example provides the sample AT commands and responses for the following initialization tasks:

- Reset the module to the factory defaults
- Disable character echo
- Transmit Result Codes
- Set the module to Verbose mode (to display result codes as words)
- Set the DCD to match the state of remote modem
- Ignore the DTR

Entry	AT&FE0Q0V1&C1&d0	Initialization string
Response	OK	Command is valid
Entry	ATSO=1	Auto answer on 1st ring
Response	OK	Command is valid

10.1.5. Setting Up the Communication Mode for the Enfora Enabler III-G Module

The following example sequence provides the AT command and response for setting the Enfora Enabler III-G module for full phone functionality, automated operator selection, 9600 baud, non-transparent mode.

Entry	AT+CFUN=1	FULL phone functionality
Response	OK	Command is valid
Entry	AT+COPS=0	Automatic operator selection
Response	OK	Command is valid
Entry	AT+CBST=7,0,1	9600 baud, non-transparent mode
Response	OK	Command is valid

10.1.6. Querying the Status of the Enfora Enabler III-G Module

This topic is addressed in the Enfora Application Note *GSM0000AN006 – Enabler-G Module Status Query*.

10.1.7. Setting Module Reporting Parameters for GSM and GPRS

This topic is addressed in the Enfora Application Note *GSM0000AN007 - Enabler-G Status Reporting*.

10.2. GSM/SMS Examples

10.2.1. Initialize the Enfora Enabler III-G Module to Send and Receive SMS Text Messages

This topic is addressed in the Enfora Application Note *GSM0000AN004 - Enabler-G SMS Configuration and Use*.

10.2.2. Managing SMS Messages

This topic is addressed in the Enfora Application Note *GSM0000AN004 - Enabler-G SMS Configuration and Use*.

10.2.3. Data Call Configuration

This topic is addressed in the Enfora Application Note *GSM0000AN003 - Enabler-G Data Circuit Switched Call Configuration and Use*.

10.2.4. Voice Call Configuration

This topic is addressed in the Enfora Application Note *GSM0000AN003 - Enabler-G Data Circuit Switched Call Configuration and Use*.

10.3. GPRS Packet Examples

10.3.1. GPRS ATTACH and ACTIVATE

This topic is addressed in the Enfora Application Note *GSM0000AN005 - Enabler-G Automated Network Connection Configuration and Use*.

10.3.2. Windows PPP Setup

The Enabler III-G module can be used in a Windows operating system environment as a standard serial modem device. The required setup and configuration process is contained in Enfora Application Notes *GSM0000AN001 - Enabler-G PPP Configuration for Windows 98* and *GSM0000AN002 - Enabler-G PPP Configuration for Windows 2000*.

11. Integration and Testing

The Enfora Enabler III-G module has been designed to minimize the amount of time required for integration and testing the application. By being fully certified by the appropriate bodies, the Enfora Enabler III-G module provides seamless integration into the GSM network.

The integration issues for the application can be narrowed to the utilization of the AT commands and the use of the GSM functionality. Coverage and signal quality may be evaluated by using the RSSI commands. Additional network information can be determined by using AT commands.

Integration of the GPRS Packet capabilities is more complicated than using AT command sequences to initiate the connection and begin transferring data. The following Application Notes should be used to integrate the GPRS packet capabilities:

GSM0000AN001 - Enabler-G PPP Configuration for Windows 98

GSM0000AN002 - Enabler-G PPP Configuration for Windows 2000

GSM0000AN008 - Enabler-G PPP Configuration for Windows XP

GSM0000AN010 - Enabler-G PPP Configuration for PocketPC 2002

GSM0000AN005 - Enabler-G Automated Network Connection Configuration and Use

11.1. Integrating the Enfora Enabler III-G Module

Note: Generally, all interfaces that are externally available to the end user need to be ESD-conditioned and terminated in some way. Many of these interfaces should not be connected with power applied.

At the highest level, this is done using some type of GSM test equipment (such as, Racal 6103E), a computer, and a serial interface tester. The GSM test equipment must be able to simulate a GSM call and measure the key parameters related to the module.

Additionally, the serial interfaces and some minimal SIM functionality can be verified by sending AT commands to the Enfora Enabler III-G module.

All of these conditions need to be verified at ambient as well as extreme conditions.

As part of integration, each of the following interfaces must be verified:

Information	Recommendations
SIM	<p>The maximum line length of the SIM interface is 25.4 cm (10 inches).</p> <p>The Enfora Enabler III-G module takes care of the signal conditioning</p> <p>As a minimum, an external application with a remote SIM will require a standard SIM carrier.</p> <p>Filter the SIM VCC signal with a 10 uf / 10 V capacitor to help with the line length.</p>
Primary and secondary serial Interfaces	<p>The Enfora Enabler III-G module uses a 1.8/3 V digital interface. The RS-232 signals must be level-shifted to get standard levels. These signals must be ESD-protected.</p>
Reset Interface	<p>Resets the Enfora Enabler III-G module when tied low.</p>
Audio/Microphone Interface	<p>Preliminary balancing on Enfora Enabler III-G module. Maximum length TBD</p>

Testing the following parameters verifies the RF parameters that may be affected by such things as RF path loss, power supply noise, and external interference.

Functionality	Parameters to be Tested
Transmitter	Frequency Error Phase Error PA Ramp Modulation Spectrum RF Power Steps Timing Advance
Receiver	BER Based RX Tests (RXQUAL RXLEV) BER Based Sensitivity

Testing the following GSM functionality verifies proper network communication.

Functionality	Parameters to be Tested
Transmitter	Frequency Error Phase Error PA Ramp Modulation Spectrum RF Power Steps Timing Advance
Receiver	BER Based RX Tests (RXQUAL RXLEV) BER Based Sensitivity

Testing the following GSM functionality verifies proper network communication.

Functionality	Parameters to be Tested
Network Function	Synchronization and registration Call set-up and call termination (both MT and MO calls) SMS and/or data calls

12. APPENDIX A LIMITED WARRANTY

12.1. Scope

Enfora warrants to the original purchaser of the product that, for a period of one (1) year from the date of product purchase, the product hardware, when used in conjunction with any associated software (including any firmware and applications) supplied by Enfora, will be free from defects in material or workmanship under normal operation. Enfora further warrants to such original purchaser that, for a period of ninety (90) days from the date of product purchase, any software associated with the product will perform substantially in accordance with the user documentation provided by Enfora, and any software media provided with the product will be free from defects in material or workmanship under normal operation. Enfora does not warrant that (a) the product hardware or any associated software will meet the purchaser's requirements, (b) that the operation of the product hardware or software will be uninterrupted or error-free, or (c) the product, when integrated in, or combined with, other products or software not supplied by Enfora, will continue to perform substantially in accordance with the user documentation. This limited warranty is only for the benefit of the original purchaser and is not transferable. No other party may act on behalf of such purchaser for the purpose of claiming or exercising any rights or benefits under or in connection with this limited warranty except as may be provided in a written agreement between Enfora and such other party.

12.1.1. Hardware

During the warranty period applicable to the product hardware, Enfora, at its expense and in its sole discretion, will repair or replace the product if it is determined to have a covered hardware defect, provided that the purchaser first notifies Enfora of any such defect, furnishes Enfora with a proof of purchase, requests and obtains a return merchandise authorization (RMA) number from Enfora, and returns the product, shipping charges prepaid, to Enfora under that RMA. If, upon reasonable examination of the returned product, Enfora does not substantiate the defect claimed by purchaser, or determines that the defect is not covered under this limited warranty, Enfora will not be required to repair or replace the product, but may instead reship the product to the purchaser, in which case purchaser shall be responsible for paying Enfora's usual charges for unpacking, testing, and repacking the product for reshipment to purchaser. Purchaser shall bear the risk of loss or damage in transit to any product returned by purchaser to Enfora, or any returned product not found to be defective or covered under this warranty and reshipped by Enfora to purchaser. In the event Enfora repairs or replaces a defective product, the repaired or replacement product will be covered under this limited warranty for the remainder of the original warranty period on the defective product. If Enfora is unable to repair or replace a defective product, the purchaser's exclusive remedy shall be a refund of the original purchase price. Any returned and replaced product, or any product for which Enfora has refunded the original purchase price, becomes the property of Enfora.

12.2. Software

During the warranty period applicable to the software or its media, Enfora, at its expense, will replace any defective software or media if purchaser gives written notification of the defect to the technical support department at Enfora during the applicable warranty period. Enfora will ship or otherwise transmit the replacement software or media to purchaser, and purchaser shall be responsible for incorporating any replacement software in the product. Enfora shall not have any obligation to provide any software bug

fixes, upgrades or new releases except as may be necessary to correct any covered defect of which purchaser notifies Enfora in writing during the applicable warranty period. Enfora, from time to time and in its sole discretion, may make available for download on its website (www.enfora.com) certain software bug fixes, upgrades or new releases for the product. The purchaser should periodically visit such website to determine whether any such bug fixes, upgrades or new releases have become available. Download and use of any such bug fixes, upgrades or new releases is subject to all of the applicable terms and conditions of Enfora's technical support policy as posted and updated on its website.

Exceptions and Disclaimers

Enfora shall have no obligation under this limited warranty for (a) normal wear and tear, (b) the cost of procurement of substitute products or (c) any defect that is (i) discovered by purchaser during the warranty period but purchaser does not notify or request an RMA number from Enfora, as required above, until after the end of the warranty period, (ii) caused by any accident, misuse, abuse, improper installation, handling or testing, or unauthorized repair or modification of the product, (iii) caused by use of any software other than any software supplied by Enfora, or by use of the product other than in accordance with its documentation or (iv) the result of electrostatic discharge, electrical surge, fire, flood or similar causes. Unless otherwise provided in a written agreement between the purchaser and Enfora, the purchaser shall be solely responsible for the proper configuration, testing and verification of the product prior to deployment in the field.

ENFORA'S SOLE RESPONSIBILITY AND PURCHASER'S SOLE REMEDY UNDER THIS LIMITED WARRANTY SHALL BE TO REPAIR OR REPLACE THE PRODUCT HARDWARE, SOFTWARE OR SOFTWARE MEDIA (OR IF REPAIR OR REPLACEMENT IS NOT POSSIBLE, OBTAIN A REFUND OF THE PURCHASE PRICE) AS PROVIDED ABOVE. ENFORA EXPRESSLY DISCLAIMS ALL OTHER WARRANTIES OF ANY KIND, EXPRESS OR IMPLIED, INCLUDING WITHOUT LIMITATION ANY IMPLIED WARRANTIES OF NON-INFRINGEMENT, MERCHANTABILITY, SATISFACTORY PERFORMANCE AND FITNESS FOR A PARTICULAR PURPOSE. IN NO EVENT SHALL ENFORA BE LIABLE FOR ANY INDIRECT, SPECIAL, EXEMPLARY, INCIDENTAL OR CONSEQUENTIAL DAMAGES (INCLUDING WITHOUT LIMITATION LOSS OR INTERRUPTION OF USE, DATA, REVENUES OR PROFITS) RESULTING FROM A BREACH OF THIS WARRANTY OR BASED ON ANY OTHER LEGAL THEORY, EVEN IF ENFORA HAS BEEN ADVISED OF THE POSSIBILITY OR LIKELIHOOD OF SUCH DAMAGES.

12.3. Other Considerations

Some jurisdictions may require a longer warranty period than specified above and, accordingly, for products sold in those jurisdictions the applicable warranty period shall be extended as required under the laws of those jurisdictions. Furthermore, some jurisdictions may not allow the disclaimer of implied warranties or the exclusion or limitation of incidental or consequential damages, so the above disclaimer, limitation or exclusion may not apply to products sold in those jurisdictions. This limited warranty gives the purchaser specific legal rights and the purchaser may have other legal rights that vary from jurisdiction to jurisdiction.

In some instances, certain aspects of the product warranty may also be covered in a separate written agreement between Enfora and the distributor or reseller, if any, from whom purchaser purchased the product. That agreement may provide, for example, a different product return procedure that may also be available to purchaser (e.g., the product may be returned to Enfora through that distributor or reseller).

Governing Law

This limited warranty shall be governed by the laws of the State of Texas, United States of America, without regard to conflict of laws principles. This limited warranty shall not be governed in any respect by the United Nations Convention on Contracts for the International Sale of Goods.

13. APPENDIX B - Regulations and Compliance

This section summarizes the responsibilities and actions required of manufacturers and integrators who incorporate OEM versions of the Enfora Enabler III-G module into their products. In certain situations and applications, these products will require additional FCC, CE, GCF, PTCRB or other regulatory approvals prior to sale or operation. Appropriate instructions, documentation and labels are required for all products. For more information concerning regulatory requirements, please contact Enfora.

13.1. GCF/PTCRB Approval (Formerly FTA)

The Enfora Enabler III-G module is type approved in accordance with the requirements of and through the procedures set forth by the GSM industry association. The relevant conformance specification is 3GPP TS 51010-1. Any OEM changes in the SIM interface, antenna port, software or the physical makeup of the unit may require an incremental FTA to ensure continued compliance with the above-mentioned standard. For more information concerning type approval, please contact Enfora.

13.2. Electromagnetic Compatibility (EMC) and Safety Requirements

The Enfora Enabler III-G module has been tested and approved for application in the United States of America (US) and the European Union (EU). The compliance details for each of these markets follow. For other markets, additional or alternative regulatory approvals may be required. Always ensure that all rules and regulations are complied with in every country that the OEM application is to be operated. Regardless of the country or market, the OEM must comply with all applicable regulatory requirements.

13.3. EMC/Safety Requirements for the USA

Compliance to the US rules and regulations falls under two categories:

- Radio approvals: Federal Communications Commission (FCC)
- Transmitter: FCC Rules, Part 22 & 24
- Unintentional emission: FCC Rules, Part 15

Although the Enfora Enabler III-G module has been authorized by the FCC and listed as a component by an NRTL, products and applications that incorporate the Enfora Enabler III-G module will require final verification of EM emission and product safety approval.

Note: Particular attention should be made to the following statements regarding RF Exposure:

13.4. Human Exposure Compliance Statement

GSM0308 GSM/GPRS Module

Enfora certifies that the Enfora Enabler III-G 850/900/1800/1900 MHz GSM Radio Module (FCC ID: MIVGSM0308) complies with the RF hazard requirements applicable to broadband PCS equipment operating under the authority of 47 CFR Part 24, Subpart E and Part 22 of the FCC Rules and Regulations. This certification is contingent upon installation, operation and use of the Enfora Enabler III-G module and its host product in accordance with all instructions provided to both the OEM and end user. When installed and operated in a manner consistent with the instructions provided, the Enfora Enabler III-G module meets the maximum permissible exposure (MPE) limits for general population / uncontrolled exposure as defined in Section 1.1310 of the FCC Rules and Regulations.

Note: Installation and operation of this equipment must comply with all applicable FCC Rules and Regulations, including those that implement the National Environmental Policy Act of 1969 (Part 1, Subpart I), with specific regard to antenna siting and human exposure to radio frequency radiation. For further guidance, consult the FCC Rules, a certified FCC test house, or Enfora.

13.5. Compliance with FCC Regulations

The Federal Communications Commission (FCC) is the agency of the Federal Government that oversees all non-governmental radio frequency transmitters that operate within the United States. Unintentional emissions from digital devices are regulated by Part 15 of the FCC Rules and Regulations, which distinguishes between the environments in which these devices may operate. Intentional radiators operating as a GSM-1900 radio transmitter are regulated under Part 22 & 24, Subpart E—Broadband PCS of the FCC Rules and Regulations.

13.6. Unintentional Radiators, Part 15

Equipment designated as Class A is intended for use in a commercial, industrial or business environment. The Enfora Enabler III-G module has been tested and found to comply with the limits for a Class A digital device and can be integrated into equipment or applications intended for use in commercial, industrial or business environments.

The following statement must be included in the user manual for such products:

This equipment has been tested and found to comply with the limits for a Class A digital device, pursuant to part 15 of the FCC rules. These limits are designed to provide reasonable protection against harmful interference when the equipment is operated in a commercial environment. This equipment generates, uses, and can radiate radio frequency energy and, if not installed and used in accordance with the instruction manual, may cause harmful interference to radio communications. Operation of this equipment in a residential area is likely to cause harmful interference in which case the user will be required to correct the interference at his own expense.

Equipment intended for use in a residential environment (notwithstanding use in commercial, industrial or business environments) is designated as Class B. The Enfora Enabler III-G module has been tested and found to comply with the limits for a Class B digital device and can be integrated into equipment or applications intended for use in residential environments.

The following statement must be included in the user manual for such products:

This equipment has been tested and found to comply with the limits for a Class B digital device, pursuant to part 15 of the FCC rules. These limits are designed to provide reasonable protection against harmful interference in a residential installation. This equipment generates, uses, and can radiate radio frequency energy and, if not installed and used in accordance with the instructions, may cause harmful interference to radio communications. However, there is no guarantee that interference will not occur in a particular installation. If this equipment does cause harmful interference to radio or television reception, which can be determined by turning the equipment off and on the user is encouraged to try to correct the interference by one or more of the following measures:

- Reorient or relocate the receiving antenna.
- Increase the separation between the equipment and receiver.
- Connect the equipment into an outlet on a circuit different from that to which the receiver is connected.
- Consult the dealer or an experienced radio/TV technician for help.

13.7. Intentional Radiators, Part 22 & 24

Products incorporating the Enfora Enabler III-G transceiver operate as Personal Communications Services (PCS) devices under the authority of Part 22 & Part 24, Subpart E—Broadband PCS, of the FCC Rules and Regulations. All such transmitters must be authorized by the FCC through its Certification process, as detailed in Part 2, Subpart J - Equipment Authorization Procedures. Through the Certification process, the FCC verifies that the product complies with all applicable regulatory and technical requirements, including those that address human exposure to radio frequency radiation. In general, radio frequency transmitters cannot be sold or operated in the US prior to FCC approval.

13.8. Instructions to the Original Equipment Manufacturer (OEM)

To comply with the requirements of the National Environmental Policy Act (NEPA) of 1969, operation of an FCC-regulated transmitter may not result in human exposure to radio frequency radiation in excess of the applicable health and safety guidelines established by the FCC. Further information on RF exposure issues may be found in the FCC's Office of Engineering and Technology (OET) Bulletin Number 65, "Evaluating Compliance with FCC Guidelines for Human Exposure to Radio Frequency Electromagnetic Fields" and Supplement C, "Additional Information for Evaluating Compliance of Mobile and Portable devices with FCC Limits for Human Exposure to Radio Frequency Emissions." Both of these documents are available via the Internet at the OET web site: <http://www.fcc.gov/oet>

The Enfora Enabler III-G products are GSM radio transceivers, which operate under the authority of 47 CFR Part 24, Subpart E and Part 22 of the FCC Rules and Regulations. When installed and operated in accordance with the instructions provided in this manual, these devices comply with current FCC regulations regarding human exposure to radio frequency radiation.

The following installation and operation restrictions apply to all Enfora Enabler III-G products:

- This device may only be used in fixed and mobile applications.
- Portable applications, as defined by the FCC, are prohibited.
- The use of this device for desktop and other applications where the antenna can easily be relocated are considered by the FCC to be mobile applications.
- A separation distance of at least 20 cm (7.87 inches) between the antenna and the body of the user and other persons must be maintained at all times
- In FIXED applications, *antenna gain* is limited to a maximum of 7 dBi, with a corresponding Equivalent Isotropic Radiated Power (EIRP) of 37 dBm / 5 W.
- In MOBILE applications, *antenna gain* is limited to a maximum of 3 dBi, with a corresponding EIRP of 33 dBm / 2 W.
- End products must provide instructions to ensure compliance with radio frequency radiation exposure requirements.
- A warning label visible to all persons exposed to the antenna and identical to that described in this manual must be displayed on or next to the antenna.
- Separate FCC approval for RF exposure compliance is required for end products that do not meet these conditions.

Antenna gain is defined as gain in dBi (dB referenced to an isotropic radiator) minus cabling loss.

Note: Additional care must be taken by the installer and/or user of the Enfora Enabler III-G products to ensure proper antenna selection and installation. Adherence to the above conditions is necessary to comply with FCC requirements for safe operation regarding exposure to RF radiation.

Depending upon the application and type of product into which the Enfora Enabler III-G module has been incorporated, specific OEM actions and responsibilities required to meet these conditions vary. However, in all cases the primary concern is to ensure compliance with current FCC guidelines and regulations that limit human exposure to radio frequency radiation.

Definitions

For the purpose of determining compliance with current FCC rules addressing human exposure to radio frequency radiation, the FCC has established the following three categories of transmitting devices:

- **Portable Devices** – devices where the antenna is located within 20 cm (7.87 inches) of any person, including the user, if applicable. Portable devices operating under the authority of Part 22 or 24 (broadband PCS) are limited to a maximum of 2 W EIRP.
- **Mobile Devices** – devices designed to be used in other than fixed locations and generally such that the antenna is located at a minimum of 20 cm (7.87 inches) from any person, including the user, if applicable. Mobile devices operating under the authority of Part 22 or 24 (broadband PCS) are limited to a maximum of 2 W EIRP.
- **Fixed devices** – devices in which the antenna, either integral to the product or remotely located, is physically secured at one location and is not able to be easily moved to another location. The antenna for a fixed device is mounted on an outdoor, permanent structure with a minimum separation distance of 2 meters (79 inches)

13.8.1. OEM Responsibilities for All Products Containing the Enabler III-G module

In addition to any other regulatory requirements, OEMs and integrators must include or provide the following information, instructions, warnings and labels with any device or product into which the Enfora Enabler III-G GSM1900 GSM transceiver has been incorporated:

Information	Description
<p>Detailed Operating Instructions for ensuring compliance with current FCC guidelines which limit human exposure to radio frequency radiation</p>	<p>The OEM must provide an operating/installation manual with the final product which clearly indicates that these operating conditions and restrictions must be observed at all times to ensure compliance with current FCC guidelines which limit human exposure to radio frequency radiation. 20 cm (7.87 inch) separation distance between the antenna and all persons must be maintained at all times for all fixed and mobile products and applications</p> <p>Portable devices and applications are prohibited unless such devices and products are specifically authorized by the FCC</p> <p>Maximum antenna gain is limited to 2 dBi* in mobile products and applications</p> <p>For fixed applications (2 meter separation) the antenna gain can be as much as 26 dBi.</p> <p>Modifications and/or additions to the Enfora Enabler III-G GSM transceiver, including use of antennas with higher gain than those authorized by the FCC, are prohibited</p> <p>*dBi = antenna gain in dB relative to an isotropic radiator</p>
<p>Antenna Avoidance Label</p>	<p>Attach the following warning label directly to or displayed next to the antenna. Furthermore, this label must be visible to and easily readable by all persons in the immediate vicinity of the antenna</p> <div style="text-align: center;"> <p>WARNING</p> <p>To comply with FCC RF exposure requirements, a separation distance of 20 cm (7.87”) or more must be maintained between this antenna and all persons</p> </div>
<p>Human Exposure Compliance Statement</p>	<p>Include the following statement in the instruction / operation manual.</p> <p>Enfora certifies that the Enfora Enabler III-G™ MHz GSM Radio Module (FCC ID: MIVGSM0308) complies with the RF hazard requirements applicable to broadband PCS equipment operating under the authority of 47 CFR Part 22 or Part 24, Subpart E of the FCC Rules and Regulations.</p> <p>This certification is contingent upon installation, operation and use of the Enfora Enabler III-G module and its host product in accordance with all instructions provided to both the OEM and end user. When installed and operated in a manner consistent with the instructions provided, the Enfora Enabler III-G module meets the</p>

	maximum permissible exposure (MPE) limits for general population / uncontrolled exposure at defined in Section 1.1310 of the FCC Rules and Regulations.
--	---

13.8.2. Specific OEM Responsibilities for Portable Products and Applications

Each device or product, into which the Enfora Enabler III-G PCS-1900 GSM transceiver has been incorporated, and which is intended to be used in an application that meets the definition of "portable" MUST be separately authorized by the FCC for the purposes of determining compliance with current FCC guidelines limiting human exposure to radio frequency radiation.

Portable devices must be evaluated for RF exposure based on Specific Absorption Rate (SAR) limits; further information on such evaluations are available from the FCC via the Internet.

13.8.3. Specific OEM Responsibilities for Mobile Products and Applications

Separate or additional FCC approvals are NOT required for devices or products, into which the Enfora Enabler III-G PCS-1900 GSM transceiver has been incorporated, that are used in applications that meet the definition of "mobile."

For all end products, the OEM or integrator must provide instructions, warnings and labels to ensure that the product complies with current FCC guidelines limiting human exposure to radio frequency radiation.

Current FCC regulations limit the EIRP of mobile devices to 2 W. Because the nominal RF output power of the Enfora Enabler III-G GSM1900 GSM transceiver is 1.0 W (30 dBm), antenna gain for mobile products and applications cannot exceed 3 dBi.

13.8.4. Specific OEM Responsibilities for Fixed Products and Applications

Separate or additional FCC approvals are not required for devices or products, into which the Enfora Enabler III-G GSM transceiver has been incorporated, that are used in applications that meet the definition of "fixed."

For all end products, the OEM or integrator must provide the instructions, warnings and labels to ensure that the product complies with current FCC guidelines limiting human exposure to radio frequency radiation.

Separate or additional FCC approvals are required for devices or end products used in fixed applications where antenna gain in excess of 7dBi is desired.

13.9. EMC/Safety Requirements for the Countries of the European Union (EU)

The European Union (EU) is comprised of fifteen countries that follow a harmonized set of standards, utilizing the CE mark as a uniform mark of acceptance. The member countries are:

- Austria
- Belgium
- Denmark
- Finland
- France
- Germany
- Greece
- Ireland
- Italy
- Luxembourg
- The Netherlands
- Portugal
- Spain
- Sweden
- United Kingdom

13.10. EMC/Safety Requirements for Other Countries

In most other countries that have not been listed above there are similar rules and regulations that must be met for importing the Enfora Enabler III-G module. Each may require a different mark of approval (for example, the CB Scheme) as an acceptance requirement. For each of these cases the country should be identified, and the appropriate steps should be taken to meet the requirements set forth in the intended market.

14. APPENDIX C - Glossary and Acronyms

API	Application Programming Interface.
App Application	Refers to the Application which sends or receives commands/responses from the Enfora Enabler III-G Module
AT Command Set	Commands issued by intelligent device to a modem to perform functions, such as to initiate call, to answer call, or to transmit data.
BER Bit Error Rate	Bit Error Rate
CMUX	Multiplexer protocol that operates between an MS and a TE and allows a number of simultaneous sessions over a normal serial asynchronous interface
CPE Customer Premise Equipment	A terminal in fixed location on the customer's premises.
CSD Circuit Switched Data	Data link from a terminal through the network allowing real-time, duplex connectivity at 9600 bytes/second.
dBi	Decibels referenced to an isotropic radiator
DCE Data Communications Equipment	Data Communications Equipment
DCS Digital Cellular System	A collection of services and capabilities providing flexibility of access and mobility through a combination of wireless and wire-line networks, utilizing the 1800 MHz bandwidth.
DTE Data Terminal Equipment	Data Terminal Equipment
EFR Enhanced Full Rate	Voice (vocoder) compression algorithms which offer the highest quality voice communication.
EIR Equipment Identity Register	A database used to store International Mobile Equipment Identity (IMEI) of a locally issued terminal.
EIRP Equivalent Isotropic Radiated Power	In a given direction, the gain of a transmitting antenna multiplied by the net power accepted by the antenna from the connected transmitter.
EMC Electromagnetic Compatibility	The ability of a device to function satisfactorily in its electromagnetic environment without inducing intolerable disturbance to that environment (or to other devices)
ESD Electrostatic Discharge	Static electricity that can damage electronic equipment.
EU European Union	An organization of 15 European states whose purpose is to organize relations between the Member States and between their peoples.
FTA Full Type Approval	GSM Full Type Approval
GPRS General Packet Radio Service	Standard for packet communications utilizing Global Standard for Mobility (GSM) infrastructure.
GSM Global System for Mobile Communications	Standard for digital communications. Allows consistent communications in various parts of the world despite variations in RF spectrum allocations. Transferring the SIM (see below) permits users to roam by changing terminal equipment.
HLR Home Location Register	Stores the identity and user data for all subscribers belonging to the area of the related MSC.
IMEI International Mobile	A unique number for each GSM Terminal tracked by the GSM operators in their Equipment Identity Register (EIR) database.

Equipment Identity	
IMSI International Mobile Subscriber Identification	A unique number identifying the subscriber stored in the SIM card. Number is used in conjunction with the network for call routing.
Ki	A secret code used in authentication and encryption by the terminal.
MO Mobile Originated	Any GSM/GPRS service originated at the mobile terminal.
MT Mobile Terminated	Any GSM/GPRS service originated from or routed through the network and sent to the mobile terminal.
MSC Mobile Switching Center	The central switch of the GSM network. Performs call routing, collects call detail records for billing, and supervises system operations.
Non-Transparent Mode	Delivers a constantly low error rate but with a non-guaranteed throughput or delay. The Non-Transparent service provides a performance that is closest to using a modem over a fixed PSTN line.
NRTL Nationally Recognized Test Laboratory	OSHA-approved Nationally Recognized Testing Laboratory
OEM	Original Equipment Manufacturer.
PA	Power Amplifier.
Packet	A collection of data transmitted over a digital network in a burst.
PCS	Personal Communication Services.
PDA	Personal Digital Assistant.
PDU	Packet Data Unit.
PPP	Point-To-Point Protocol.
SIM	Subscriber Identity Module.
SMS	Short Message Service.
SMSC	Short Message Service Center.
SUPL	Secure User Plane Location
UDP	User Datagram Protocol.

15. APPENDIX D – Tables and Figures

TABLES

Table 1 - Enabler III-G Key Features	9
Table 2 - Enabler III-G Pin Assignments.....	28
Table 3 - Modem Library Configurations.....	68

FIGURES

Figure 1 – UDP API Architecture	11
Figure 2 - PAD Architecture	12
Figure 3 - Enabler III-G Module Block Diagram.....	16
Figure 4 – Front of Module (Board-to-Board RF Conn. Version).....	21
Figure 5 - Pin 1 Reference, 100-Pin I/O Connector.....	22
Figure 6 – Front of Module (Coaxial RF Conn. Version)	23
Figure 7 - Back of Module (Option SIM Shown)	24
Figure 8 – Module Mounting	25
Figure 9 - Host Pads for Board-To-Board RF Connector	26
Figure 10 - Ring Indicate Timing.....	32
Figure 11 - External Power Control Signal (no external processor)	33
Figure 12 - External Power Control Signal (using external RC circuit)	34
Figure 13 - Power Control Signal (using external processor)	35
Figure 14 - Typical Power On Sequence (using external processor)	36
Figure 15 – LED voltage driver circuit.....	41
Figure 16 - Remote SIM Interface.....	57
Figure 17 - UDP-API Structure	65
Figure 18 - Library Layout.....	67
Figure 19 - Using Port Library.....	68
Figure 20 - Using Messaging Library	68
Figure 21 - Using Modem Library	70
Figure 22 - HyperTerminal Definition.....	71
Figure 23 - COM Port Settings.....	72

16. APPENDIX E - Contacting Enfora

For technical support and customer service dealing with the modem itself, contact the company where you purchased the product. If you purchased the product directly from Enfora, visit the SUPPORT page on the Enfora website: http://www.enfora.com/support_newissue.asp