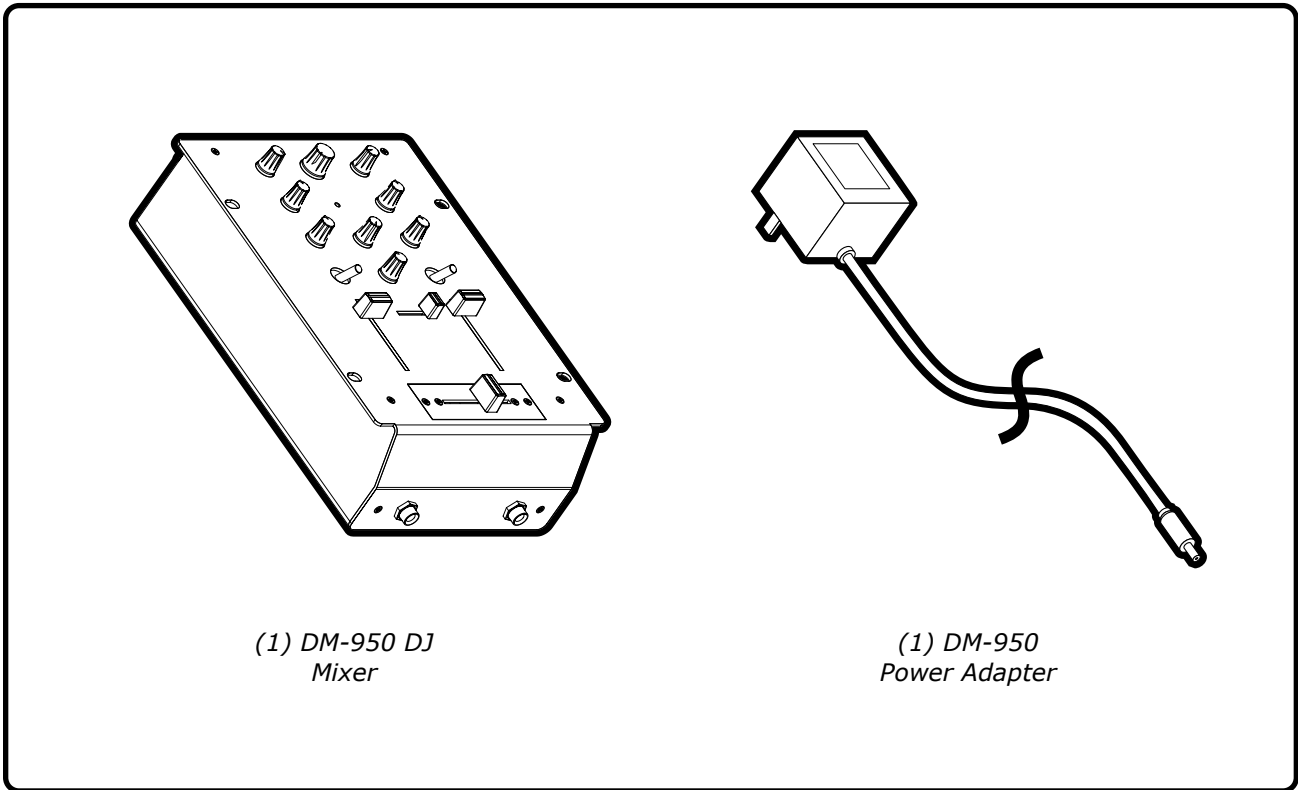


# Numark®

## DM-950 DJ Mixer Operating Instructions

### INSIDE THE BOX:



Thank you for buying this Numark product package.  
Please read these operating instructions so you will know how to operate all of this equipment properly.  
After you have finished reading these instructions, keep them for future reference.

**WARNING: TO PREVENT FIRE OR SHOCK HAZARD, DO NOT EXPOSE THIS APPLIANCE TO RAIN OR MOISTURE.**

**CAUTION:**

This product satisfies FCC regulations when shielded cables and connectors are used to connect the unit to other equipment. To prevent electromagnetic interference with electric appliances such as radios and televisions, use shielded cables and connectors for connections.

**IMPORTANT NOTICE:**

RECORD THE MODEL NUMBERS AND SERIAL NUMBERS OF THE EQUIPMENT BELOW.

MODEL NO: \_\_\_\_\_

SERIAL NO: \_\_\_\_\_

**SAFETY PRECAUTIONS**

**READ INSTRUCTIONS**

All the safety and operating instructions should be read before the product is operated.

**RETAIN INSTRUCTIONS**

The safety and operating instructions should be retained for future reference.

**HEED WARNINGS**

All warnings on the product and in the operating instructions should be adhered to.

**FOLLOW INSTRUCTIONS**

All operating and use instructions should be followed.

**CLEANING**

Unplug this product from the wall outlet before cleaning. The product should be cleaned only with a polishing cloth or a soft dry cloth. Never clean with furniture wax, benzene, insecticides or other volatile liquids since they may corrode the cabinet.

**ATTACHMENTS**

Do not use attachments not recommended by the product manufacturer as they may cause hazards.

**WATER AND MOISTURE**

Do not use this product near water - for example, near a bathtub, washbowl, kitchen sink, or laundry tub; in a wet basement; or near a swimming pool; and the like.

**ACCESSORIES**

Do not place this product on an unstable cart, stand, tripod, bracket, or table. The product may fall, causing serious injury to a child or adult and serious damage to the product. Use only with a cart, stand, tripod, bracket, or table recommended by the manufacturer, or sold with the product. Any mounting of the product should follow the manufacturer's instructions, and should use a mounting accessory recommended by the manufacturer.

**CART**

A product and cart combination should be moved with care. Quick stops, excessive force, and uneven surfaces may cause the product and cart combination to overturn.

**POWER SOURCES**

This product should be operated only from the type of power source indicated on the marking label. If you are not sure of the type of power supply to your home, consult your product dealer or local power company.

**LOCATION**

The appliance should be installed in a stable location.

**NONUSE PERIODS**

The power cord of the appliance should be unplugged from the outlet when left unused for a long period.

**GROUNDING OR POLARIZATION**

If this product is equipped with a polarized alternating current line plug (a plug having one blade wider than the other), it will fit into the outlet only one way. This is a safety feature. If you are unable to insert the plug fully into the outlet, try reversing the plug. If the plug should still fail to fit, contact your electrician to replace your obsolete outlet. Do not defeat the safety purpose of the polarized plug. If this product is equipped with a three-wire grounding type plug, a plug having a third (grounding) pin, it will only fit into a grounding type power outlet. This is a safety feature. If you are unable to insert the plug into the outlet, contact your electrician to replace your obsolete outlet. Do not defeat the safety purpose of the grounding type plug.

**POWER-CORD PROTECTION**

Power-supply cords should be routed so that they are not likely to be walked on or pinched by items placed upon or against them, paying particular attention to cords at plugs, convenience receptacles, and the point where they exit from the product.

**OUTDOORS ANTENNA GROUNDING**

If an outside antenna or cable system is connected to the product, be sure the antenna or cable system is grounded to provide some protection against voltage surges and built-up static charges. Article 810 of the National Electrical Code, ANSI/NFPA 70, provides information with regard to proper grounding of the mast and supporting structure, grounding of the lead-in wire to an antenna discharge unit, size of grounding conductors, location of antenna-discharge unit, connection to grounding electrodes, and requirements for the grounding electrode.

**LIGHTNING**

For added protection for this product during a lightning storm, or when it is left unattended and unused for long periods, unplug it from the wall outlet and disconnect the antenna or cable system. This will prevent damage to the product due to lightning and power-line surges.

**POWER LINES**

An outside antenna system should not be located in the vicinity of overhead power lines or other electric light or power circuits, or where it can fall into such power lines or circuits. When installing an outside antenna system, extreme care should be taken to keep from touching such power lines or circuits, as contact with them might be fatal.

**OVERLOADING**

Do not overload wall outlets, extension cords, or integral convenience receptacles as this can result in a risk of fire or electric shock.

**OBJECT AND LIQUID ENTRY** - Never push objects of any kind into this product through openings as they may touch dangerous voltage points or short-out parts that could result in a fire or electric shock. Never spill liquid of any kind on the product.

**SERVICING**

Do not attempt to service this product yourself as opening or removing covers may expose you to dangerous voltage or other hazards. Refer all servicing to qualified service personnel.

**DAMAGE REQUIRING SERVICE**

Unplug this product from the wall outlet and refer servicing to qualified service personnel under the following conditions:

When the power-supply cord or plug is damaged.

If liquid has been spilled, or objects have fallen into the product.

If the product has been exposed to rain or water.

If the product does not operate normally by following the operating instructions. Adjust only those controls that are covered by the operating instructions as an improper adjustment of other controls may result in damage and will often require extensive work by a qualified technician to restore the product to its normal operation.

If the product has been dropped or damaged in any way.

When the product exhibits a distinct change in performance - this indicates a need for service.

**REPLACEMENT PARTS**

When replacement parts are required, be sure the service technician has used replacement parts specified by the manufacturer or have the same characteristics as the original part. Unauthorized substitutions may result in fire, electric shock, or other hazards.

**SAFETY CHECK**

Upon completion of any service or repairs to this product, ask the service technician to perform safety checks to determine that the product is in proper operating condition.

**HEAT**

The product should be situated away from heat sources such as radiators, heat registers, stoves, or other products (including amplifiers) that produce heat.

# CAUTION!

TO PREVENT THE RISK OF ELECTRIC SHOCK, DO NOT REMOVE COVER (OR BACK). NO USER-SERVICEABLE PARTS INSIDE. REFER SERVICING TO QUALIFIED SERVICE PERSONNEL.



## IMPORTANT

The lightning flash with arrowhead symbol, within an equilateral triangle, is intended to alert the user to the presence of un-insulated "dangerous voltage" within the product's enclosure that may be of sufficient magnitude to constitute a risk of electric shock to persons.



## NOTICE

The exclamation point within an equilateral triangle is intended to alert the user to the presence of important operating and maintenance (servicing) instructions in the literature accompanying the appliance.

## NOTICE

The apparatus shall not be exposed to dripping or splashing and that no objects filled with liquids, such as vases, shall be placed on the apparatus.

## TABLE OF CONTENTS

Safety	1
Mixer Controls	3 - 5
Setup & Installation	6
Specifications	7
Warranty Information	8
Return Information	9
Troubleshooting	10

# MIXER CONTROLS

## *General Mixer Controls for DM-950*

### 1. AC In and Power Switch

This mixer is compatible only with the included power cable. Connect the AC plug into the jack on the rear of the mixer (A.) The mixer should be switched on after all devices are already connected to prevent damage to your equipment. A Red Power LED indicates that the unit has been switched on.

### 2. Master Volume

This rotary control adjusts the main output levels for any equipment connected to the Master Output on the rear panel (B.) Turning the knob completely to the right increases the level and turning the knob completely to the left decreases the level.

### 3. CH 1 Trim, Treble and Bass (4. applies to CH 2)

"Trim" (Input Level Trim)

This rotary control adjusts the input signal levels of the inputs. Turning the knob completely to the right (clockwise) increases the level. Turning the knob completely to the left (counter clockwise) decreases the level.

"Treble" (Input Level High EQ)

This rotary control adjusts the high-tone sound of the inputs. Turning the knob completely to the right increases the level. Turning the knob completely to the left decreases the level.

"Bass" (Input Level Low EQ)

This rotary control adjusts the low-tone sound of the inputs. Turning the knob completely to the right increases the level. Turning the knob completely to the left decreases the level.

### 5. Microphone Trim

One microphone can be connected to the Quarter Inch output terminal (G). The Microphone Trim should always be at its lowest setting while connecting and disconnecting a microphone to prevent damage to the mixer and/or your audience.

### 6. CH 1 Input Selector Switch

This two position Toggle Switch engages the Phone Input in the upward position (F) or the Line Level Input in the downward position (E.)

### 7. CH 2 Input Selector Switch

This two position Toggle Switch engages the Phone Input in the upward position (D) or the Line Level Input in the downward position (C.)

### 8. CH 1 Input Fader

This slide fader continually adjusts the level of the selected CH 1 input sources (See Control 6.) In the full upward position, the level is set to the maximum output.

### 9. CH 2 Input Fader

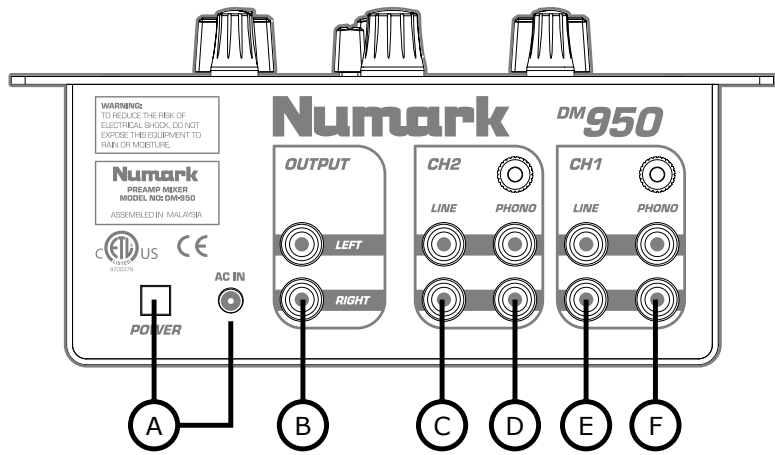
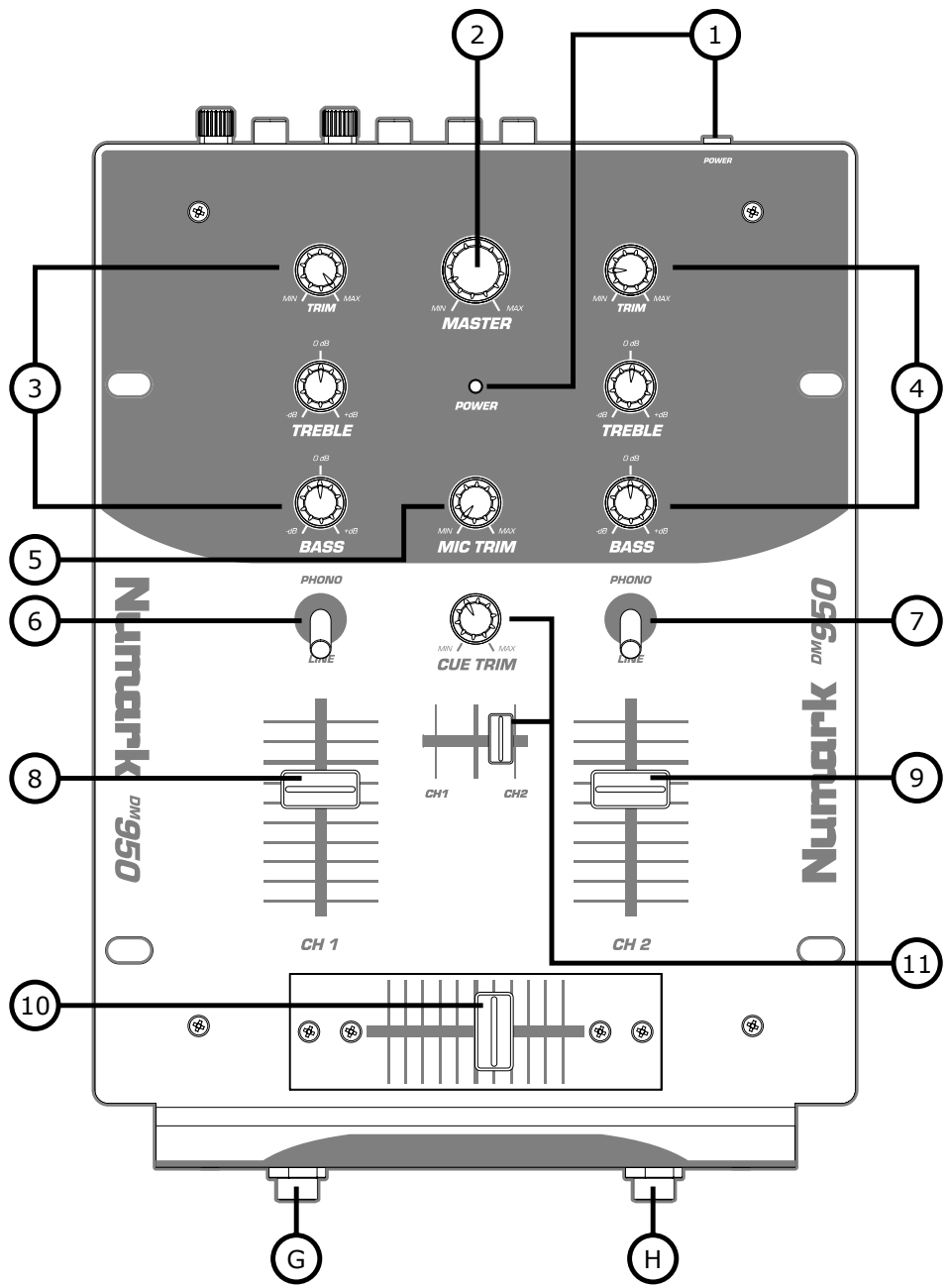
This slide fader continually adjusts the level of the selected CH 2 input sources (See Control 7.) In the full upward position, the level is set to the maximum output.

### 10. CH 1 and CH 2 Crossfader

This slide fader blends between the assigned inputs set by the Input Selector Switches (6 and 7). In the full left position, only CH 1 is sent to the Master Output (B.) In the full right position, only CH 2 is sent to the Master Output. In the center position, a mix of the levels of CH 1 and CH 2 are combined and sent to the output.

### 11. Mini Slide Fader Cueing System

This mini slide fader can be used as a "Crossfader" for previewing mixes in the connected headphones (H.) The level of the headphones is adjusted using the Cue Trim knob. NOTE: Be sure that the level of the cue trim is always set to a minimum before connecting or disconnecting headphones.



# MIXER CONTROLS *continued*

## Input and Power Section

NOTE: It is recommended that the mixer be turned off before connecting or disconnecting anything to/from the mixer.

### A. Power Switch and AC Jack

Use only the included AC Power Adapter when operating this mixer. See Control 1 for additional notes on powering the mixer.

### B. RCA Master Output

This RCA output is for connecting an external monitoring device such as a PA system, powered monitors or a home stereo. The level of the master stereo output signal increases as the Master Volume (2) control is increased.

### C. CH 2 Line Level Input

This line level input is used to connect CD players and other line level devices.

### D. CH 2 Phone Level Input with Grounding Lug

This input is used for connecting a phono level source (turntables) to the mixer. Please note that to reduce excessive noise and hum, the ground wire from the turntable must be connected to the mixer by tightening the ground lug onto the turntable ground wire.

### E. CH 1 Line Level Input

This line level input is used to connect CD players and other line level devices.

### F. CH 1 Phone Level Input with Grounding Lug

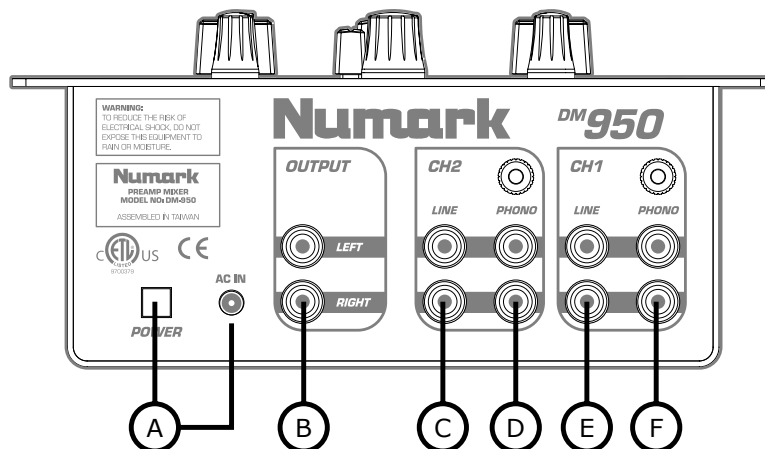
This input is used for connecting a phono level source (turntables) to the mixer. Please note that to reduce excessive noise and hum, the ground wire from the turntable must be connected to the mixer by tightening the ground lug onto the turntable ground wire.

### G. Microphone Input

This Quarter Inch Output Jack is used for connecting a Microphone to the mixer. See Control 5 for additional notes on Microphone use.

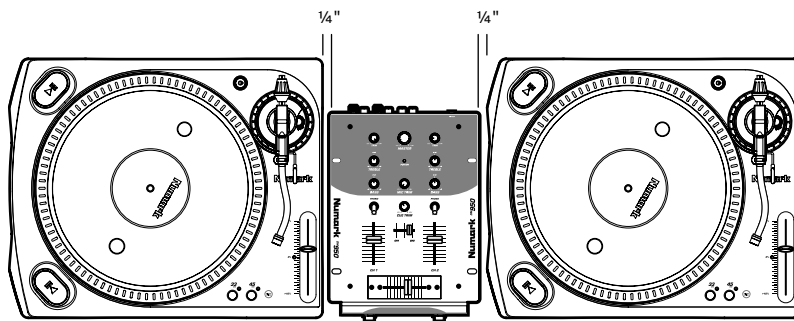
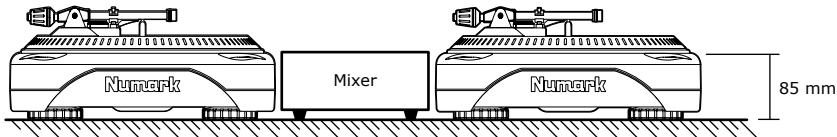
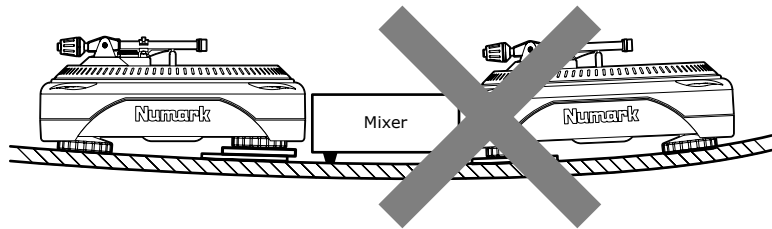
### H. Quarter Inch Headphone Output

This mixer is equipped with a very powerful headphone amplifier. It is important that the level be set AT THE MINIMUM SETTING when connecting or disconnecting headphones and slowly increased until the desired level is reached.



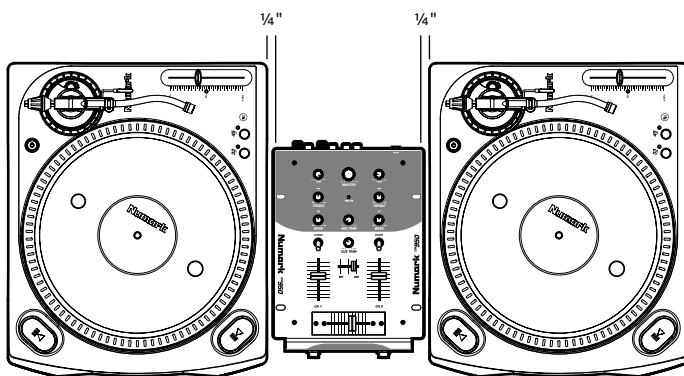
## SETUP & INSTALLATION

This mixer was designed to be placed between turntables and table top CD players. It is important that there is at least 1/4" (7mm) between the mixer and the turntables or CD players to prevent damage to the equipment and to reduce unwanted system noise.



*Setup Style 1 (traditional)*

Best For:  
Long mixes and blending techniques



*Setup Style 2 (battle style, scratching)*

Best For:  
Scratching, cutting and aggressive mixing techniques

There are many variations of these setups. Find the best setup that works for your mixing style by experimenting with different placements. It is strongly recommended that the top mixer surface and the top flat surface of the relative be at the same level.

# SPECIFICATIONS

## Inputs:

Line: 18K ohm input impedance  
200mV rms sensitivity for  
4V output

Mic: 3K ohm input impedance  
unbalanced

2mV rms sensitivity for 4V output  
20mV rms max input

Phono: 47K ohm input impedance  
3mV rms sensitivity @ 1KHz for  
4V output

## Outputs:

Master: 8V rms max

Headphone: 125mW into 32 ohm

Distortion: less than 0.1%

S/N Ratio: (maximum output) JIS-A weighted

Line: Better than -90dB

Mic: Better than -59dB

Phono: Better than -65dB

## Frequency response:

Line: 20Hz-20KHz +/-3dB

Mic: 20Hz-20KHz +/-3, -1/-7dB

Phono: +/-3dB except for controlled  
attenuation of -10dB @ 10Hz to  
reduce rumble and feedback

## Channel equalizer:

Bass: +12/-18 ±3dB @100Hz

Treble: +13/-21.5 ±3dB@10KHz

## Power consumption:

5 Watt typical

8 Watt with full headphone output

## General:

Dimensions: 197mm(W) by 267.5mm(D) by 100mm(H)

Weight: 2.4kgs (incl. Transformer)



## LIMITED PRODUCT WARRANTY

1. What is covered and for how long? NUMARK INDUSTRIES LCC ("NUMARK") warrants to the original purchaser that NUMARK'S mixers are free from defects in material and workmanship under normal use and service for the period commencing upon the date of purchase from an authorized NUMARK dealer and continuing for the following period of time after that date:

2 Years

3 Years with the completion of the warranty card provided that the warranty card is completed and returned within 30 days from the date of purchase.

2. What is not covered? This Limited Warranty is conditioned upon proper use of the product by the purchaser. This Limited Warranty does not cover:

- (a) Damage caused by improper installation or improper connection to any peripheral
- (b) Damage caused by an external electrical fault
- (c) Damage from use of parts not manufactured or sold by Numark
- (d) Product purchased from anyone other than a Numark authorized dealer
- (e) Modifications to product not approved in writing by Numark
- (f) Equipment that has the serial number removed or made illegible
- (g) Normal cosmetic and mechanical wear
- (h) Damage or loss during transit to an Authorized Numark Repair Center
- (i) Crossfaders

3. What are NUMARK'S obligations? During the applicable warranty period, NUMARK will repair or replace, at NUMARK'S sole option, without charge to the purchaser, any defective component part of the mixer. To obtain service under this Limited Warranty, purchaser must first contact NUMARK and obtain a return authorization number ("RA#"). Purchaser must then return the mixer to NUMARK in an adequate container for shipping, accompanied by purchaser's sales receipt or comparable proof of sale showing the date of purchase, the serial number of the product, and the seller's name and address. To obtain an RA# and assistance on where to return the mixer, contact NUMARK customer service at 401-295-9000. Upon receipt, NUMARK will repair or replace the defective products. NUMARK may, at NUMARK'S sole option, use rebuilt, reconditioned, or new parts or components when repairing any product or replace a product with a rebuilt, reconditioned or new product. Repaired mixers will be warranted for a period equal to the remainder of the original Limited Warranty on the original mixer or for 90 days, whichever is longer. All replaced parts, components, boards and equipment become the property of NUMARK. If NUMARK determines that any mixer is not covered by this Limited Warranty, purchaser must pay all parts, shipping, and labor charges for the repair or return of such mixer.

4. What are the limits on NUMARK'S liabilities? THE WARRANTIES GIVEN IN THIS LIMITED WARRANTY, TOGETHER WITH ANY IMPLIED WARRANTIES COVERING NUMARK MIXERS, INCLUDING WITHOUT LIMITATION ANY WARRANTIES OF MERCHANTABILITY OR FITNESS FOR A PARTICULAR PURPOSE, ARE LIMITED TO THE DURATION OF THIS LIMITED WARRANTY. EXCEPT TO THE EXTENT PROHIBITED BY APPLICABLE LAW, NUMARK SHALL NOT BE LIABLE FOR ANY SPECIAL, INCIDENTAL, CONSEQUENTIAL, INDIRECT OR SIMILAR DAMAGES, LOSS OF PROFITS, DAMAGES TO PURCHASER'S PROPERTY, OR INJURY TO PURCHASER OR OTHERS ARISING OUT OF THE USE, MISUSE OR INABILITY TO USE ANY NUMARK MIXER, BREACH OF WARRANTY, OR NEGLIGENCE, INCLUDING BUT NOT LIMITED TO NUMARK'S OWN NEGLIGENCE, EVEN IF NUMARK OR ITS AGENT HAS BEEN ADVISED OF SUCH DAMAGES, OR FOR ANY CLAIM BROUGHT AGAINST PURCHASER BY ANY OTHER PARTY. THIS LIMITED WARRANTY IS THE COMPLETE WARRANTY FOR NUMARK'S MIXERS, AND IS GIVEN IN LIEU OF ALL OTHER EXPRESS WARRANTIES. THIS LIMITED WARRANTY SHALL NOT EXTEND TO ANYONE OTHER THAN THE ORIGINAL PURCHASER OF THIS PRODUCT AND STATES PURCHASER'S EXCLUSIVE REMEDY. IF ANY PORTION OF THIS LIMITED WARRANTY IS ILLEGAL OR UNENFORCEABLE BY REASON OF ANY LAW, SUCH PARTIAL ILLEGALITY OR UNENFORCEABILITY SHALL NOT AFFECT THE ENFORCEABILITY OF THE REMAINDER OF THIS LIMITED WARRANTY WHICH PURCHASER ACKNOWLEDGES IS AND WILL ALWAYS BE CONSTRUED TO BE LIMITED BY ITS TERMS OR AS LIMITED AS THE LAW PERMITS.

This Limited Warranty allocates risk of product failure between purchaser and NUMARK, and NUMARK'S product pricing reflects this allocation of risk and the limitations of liability contained in this Limited Warranty. The agents, employees, distributors, and dealers of NUMARK are not authorized to make modifications to this Limited Warranty, or make additional warranties binding on NUMARK. Accordingly, additional statements such as dealer advertising or presentation, whether oral or written, do not constitute warranties by NUMARK and should not be relied upon.

5. How does state law apply to this warranty? SOME STATES DO NOT ALLOW THE EXCLUSION OR LIMITATIONS OF INCIDENTAL OR CONSEQUENTIAL DAMAGES OR HOW LONG AN IMPLIED WARRANTY LASTS, SO THE ABOVE LIMITATIONS OR EXCLUSIONS MAY NOT APPLY TO PURCHASER.

This Limited Warranty gives you specific legal rights. You may also have other rights, which vary from one jurisdiction to another.

NUMARK INDUSTRIES  
Attention: Service Department  
11 Helmsman Avenue  
North Kingstown, RI 02852 USA  
Phone: 1 (401) 295-9000  
Fax: 1 (401) 295-5200

Web: [www.numark.com](http://www.numark.com)

## **RETURN INFORMATION (US ONLY)**

- a) A Return Authorization number must be obtained from Numark through the address or phone numbers below.
- b) A copy of the original sales receipt must also be included for the equipment to be repaired under warranty.
- c) The faulty equipment must be packed in its original packaging.
- d) One additional outer layer of packaging must be included to ensure product safety. Failure to do so may inadequately protect the equipment in transit and, therefore, jeopardize the customer's warranty.
- e) Numark will not accept COD shipments and no call tags will be issued for merchandise return.
- f) Numark will not return repaired merchandise to customers by priority service, unless by written request at the customer's cost. Requests must be submitted in writing with merchandise returned.
- g) The defective Numark equipment should be sent, **FREIGHT PREPAID** with Return Authorization number clearly printed on the outer packaging and original sales receipt enclosed to:

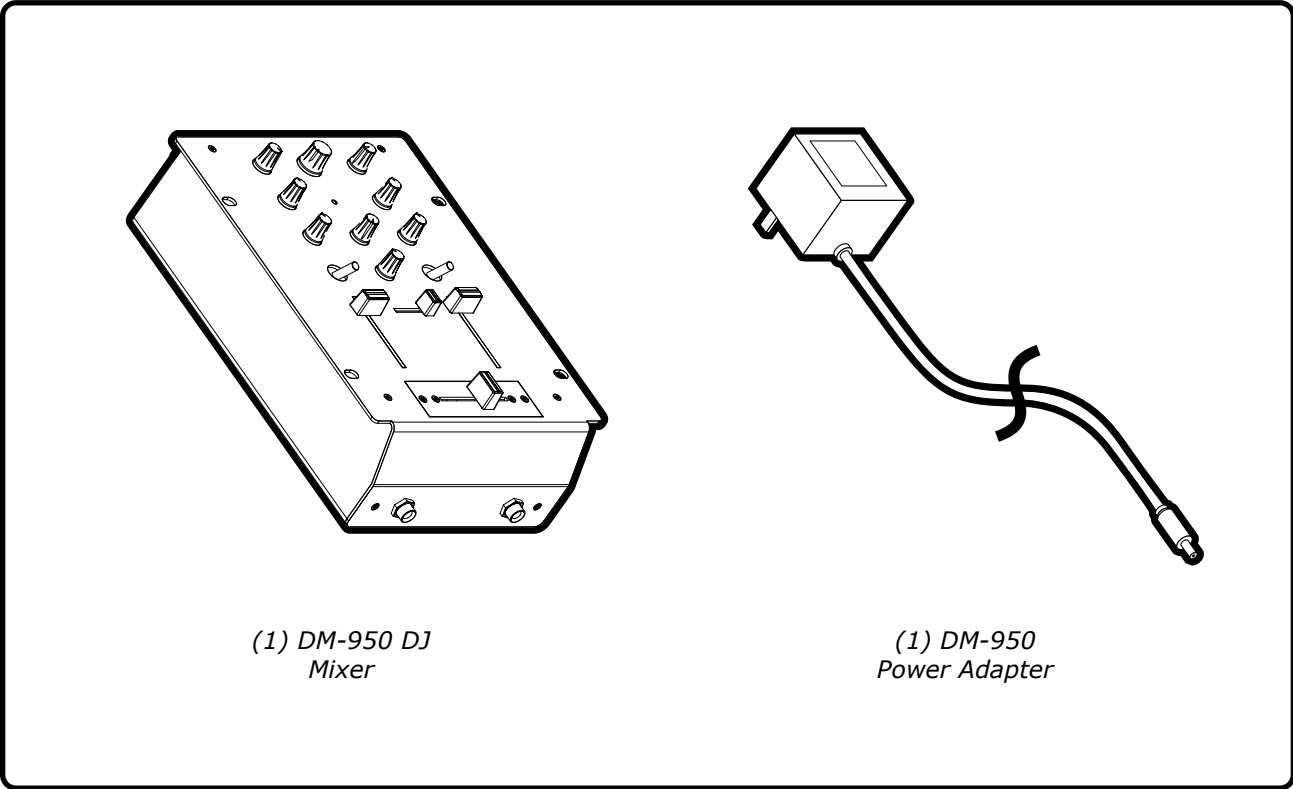
NUMARK INDUSTRIES  
Attention: Service Department  
11 Helmsman Avenue  
North Kingstown, RI 02852 USA  
Phone: 1 (401) 295-9000  
Fax: 1 (401) 295-5200  
Web: [www.numark.com](http://www.numark.com)

<b>Problem</b>	<b>Cause?</b>	<b>Solution</b>
Mixer does not turn on.	Disconnected Power Cord?	Connect Power Cord.
The sound level is very low.	The Turntable is not connected to a device with a PHONO preamp.	Connect the turntable to the input labeled PHONO, not the LINE.
The sound is on one side only.	The RCA audio cord is disconnected.  The RCA audio cord is damaged.	Properly secure the RCA cable to the mixer.  If the RCA cord is frequently connected and disconnected, it may have become damaged and needs to be replaced.
The output sound is very distorted.	The Trim Control is set too high.	Reduce the Trim level until the sound is loud and clear. Then use the Input fader to adjust the volume.
The Output sound exhibits excessive hum or buzzing.	The Turntable Grounding wires are not connected.	Connect the Turntable Ground wires to their respective Grounding Lug on all equipment (mixer, etc.)
There is no sound, but everything is connected.	The Input Selector is not switched to the correct source.	Switch the Input Selector so that the connected source is engaged.

**NOTE:**

Static electricity and/or other external interference may cause this unit to malfunction. To reset the unit to its normal condition, turn the power off and then on again. If the problem continues to persist, refer to the connected component's troubleshooting guides. If the problem is not resolved after checking these items, contact the nearest authorized Numark dealer.

**INSIDE THE BOX:**



(1) DM-950 DJ  
Mixer

(1) DM-950  
Power Adapter