

LA600WH WIRED / WIRELESS DOOR CHIME

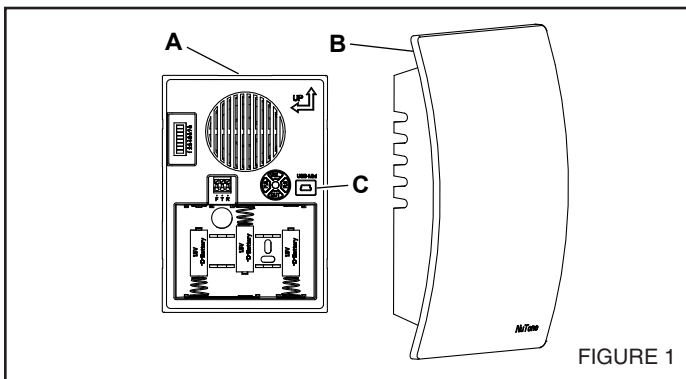
To register this product, visit: www.nutone.com

THIS PACKAGE INCLUDES:

- Wired / Wireless Door Chime with MP3 upload capability
- Decorative White Chime Cover
- USB Cable
- Mounting Hardware
- Pushbutton Diode (required for wired installation)

Door chime comes with eight pre-loaded sounds. Prior to installation, upload desired MP3 sound files.

1. Remove chime cover (B) from chime base (A). You may need to insert a finger into the large hole on the back of the chime base. (Figure 1)



UPLOAD MP3 TUNES

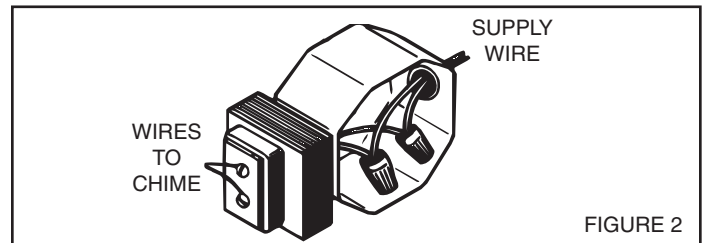
1. Insert a USB Mini cable end into the doorbell mechanism USB jack (C). (Figure 1)
2. Insert the remaining larger USB cable end into a USB port on your computer.
3. On your **WINDOWS** computer,
 - Select "Start" in the bottom corner of your Desktop.
 - Select "My Computer"
 - Select the new device detected. (The drive "D.;" "E.;" etc. will vary from computer to computer).
 - Select the device.
 - You will now see a window that contains several mp3 files. These are the tunes that are pre-installed on your doorbell mechanism.
 - Search your computer for other mp3 songs that you wish to play on your doorbell mechanism when activated. Note: Files must be in mp3 format.
 - Once you have located those files, simply "COPY" the file and "PASTE" it into the folder that contains the pre-installed doorbell files.
 - Confirm that the transferred files are complete.
4. Remove USB cable and proceed to one of the following sections.

NEW WIRED CHIME INSTALLATION

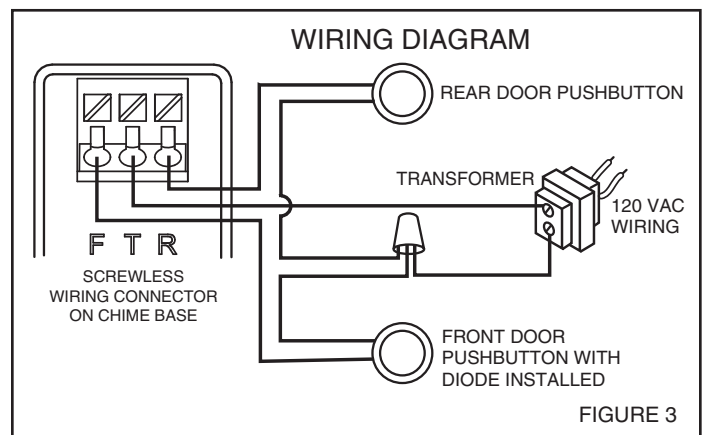
WARNING

- TO REDUCE THE RISK OF FIRE, ELECTRIC SHOCK, OR INJURY TO PERSONS, OBSERVE THE FOLLOWING:

- Use this unit only in the manner intended by the manufacturer. If you have questions, contact the manufacturer at the address or telephone number listed in the warranty.
 - Before servicing or cleaning unit, switch power off at service panel and lock the service disconnecting means to prevent power from being switched on accidentally. When the service disconnecting means cannot be locked, securely fasten a prominent warning device, such as a tag, to the service panel.
 - Installation work and electrical wiring must be done by a qualified person(s) in accordance with all applicable codes and standards, including fire-rated construction codes and standards.
 - When cutting or drilling into wall or ceiling, do not damage electrical wiring and other hidden utilities.
 - Use NuTone® 16 volt transformer with a minimum rating of 10 VA (purchase separately).
 - When stapling wires to studs or joists, do not allow staples to cut through wire insulation.
1. Mount the transformer to a junction box (attic location is not recommended) or circuit breaker box.
 2. Connect house power leads to transformer leads: black to black, white to white, ground to green. (Figure 2)

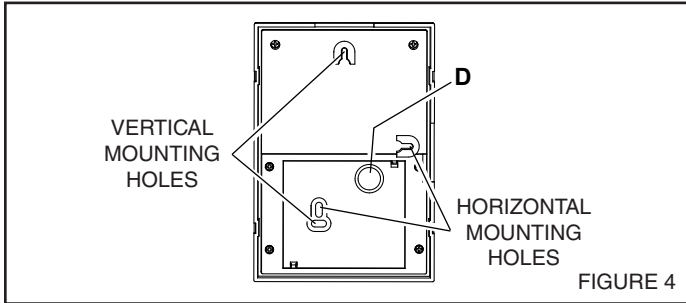


3. Route 2-conductor 18-22 gauge wire from the transformer screw terminals and from the pushbutton terminals to the chime location. (Figure 3)



- 3)
4. Label all wires at chime location in the following manner:
 - "F" – Front Pushbutton Wire
 - "T" – Transformer Wire
 - "R" – Rear Pushbutton Wire (if installed)

- The chime can be installed vertically or horizontally. Determine your preferred orientation. Locate the arrows on the front of the chime base. Make sure one of the arrows is pointing up. (Figure 4)
- Bring wires through the circular wire hole (D) in chime base. (Figure 4)
- Mount chime base to wall using screws provided. Always use 2 screws for wall mounting. (Figure 4)



- Connect wires to the screwless wiring connector as follows: Wire "F" to connector terminal "F", wire "T" to connector terminal "T" and wire "R" to connector terminal "R" if installed. (Figure 3)
- Proceed to section titled: "INSTALL WIRED PUSHBUTTON"

EXISTING WIRED CHIME INSTALLATION

TURN OFF POWER AT SERVICE ENTRANCE.

- Verify a 16-volt transformer with a minimum rating of 10 VA is installed.
- Remove existing chime cover.
- Label all wires in the following manner:
 - "F" – Front Pushbutton Wire
 - "T" – Transformer Wire
 - "R" – Rear Pushbutton Wire (if installed)
- Disconnect all wires from existing chime base and remove from wall.
- Follow Steps 6 through 9 under section titled: "NEW WIRED INSTALLATION."

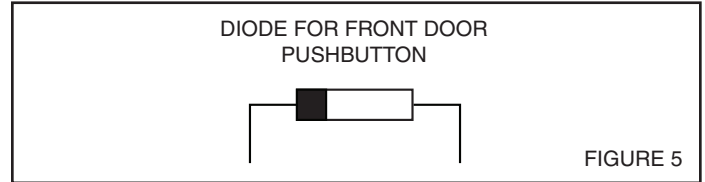
INSTALL WIRED PUSHBUTTONS

Power to transformer should be disconnected during pushbutton installation.

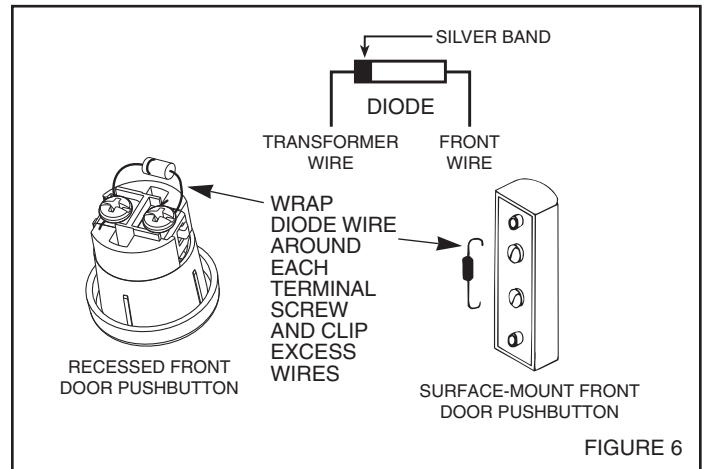
A diode must be added to the front door pushbutton so that power will be supplied continuously to the chime.

Do not install a diode on the rear door pushbutton.

- Locate the envelope containing the front door pushbutton diode. (Figure 5)



- If using an existing pushbutton(s), remove existing pushbutton(s) from wall. If installing new pushbutton(s), refer to installation instructions provided with pushbutton(s).
- Gently loosen pushbutton terminal screws and install diode from Step 1 on front door pushbutton only. (Figure 5) Wrap diode wires around terminals and clip excess wires. (Figure 6)



- Connect transformer wire to the front door pushbutton terminal closest to the silver band on the diode. Connect the chime wire to the other terminal.
- Restore power to transformer.
- Press the pushbutton and listen for the chime to sound. If chime does not operate, disconnect power to transformer and reverse orientation of diode. Restore power to transformer.
- After confirming chime operates, follow steps under section titled "Manage Chime Notification" to select a tune, set tune duration, and set volume.
- Install pushbutton(s) on wall.
 - NOTE: To prevent shorting on metal siding, place a piece of insulating tape on the siding surface near the diode.
 - NOTE: Lighted pushbutton brightness will be reduced by 30%-40%. This is normal and will increase the life of the bulb.
- Place cover (B) over chime base (A) and press down to install. A "click" will confirm that it is securely attached. (Figure 1)
- Proceed to section titled: "Manage Chime Notifications"

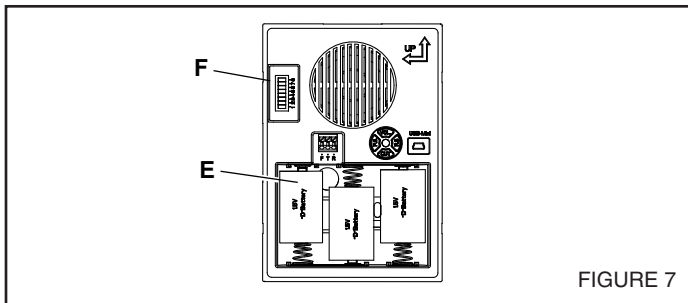
WIRELESS CHIME INSTALLATION

Unobstructed wireless operating range: Up to 100 feet.

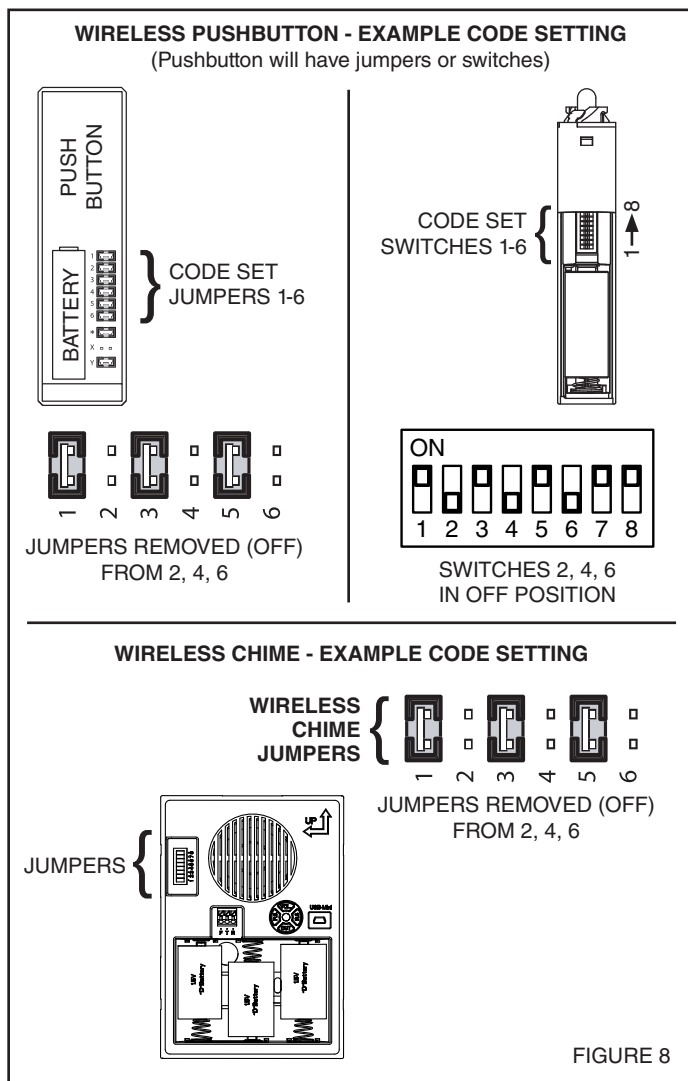
NOTE: Wireless pushbutton sold separately. Refer to installation instructions included with wireless pushbutton.

Keep batteries out of the reach of children.

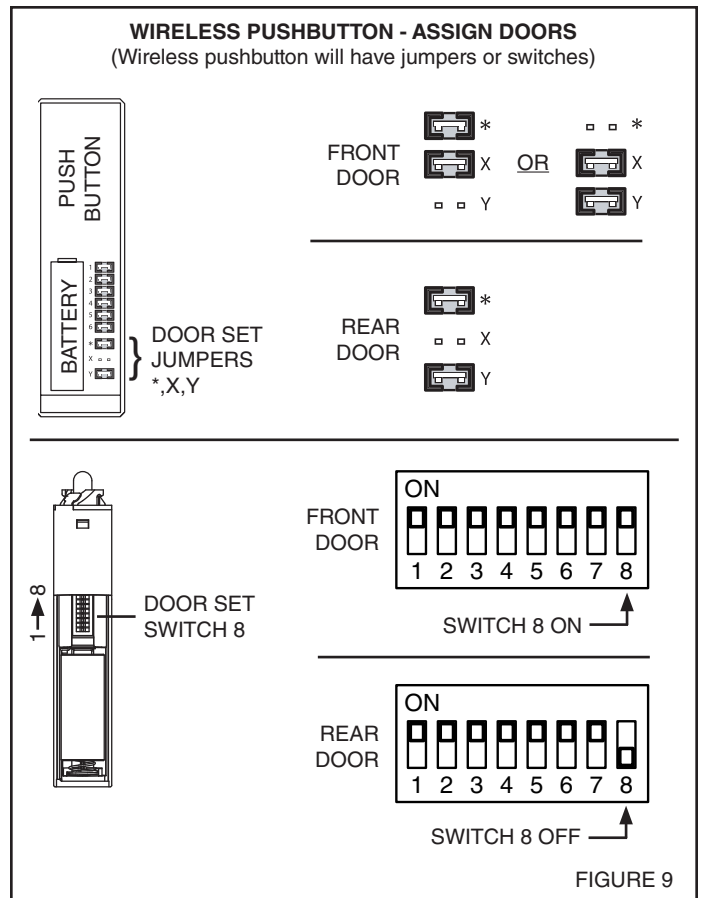
1. Insert three alkaline "D" batteries (not included) (E) in battery compartment. Make sure batteries are oriented properly. (Figure 7)



2. Obtain wireless pushbutton(s) (sold separately) and install battery per wireless pushbutton(s) instructions.
3. Press pushbutton(s) to confirm the chime mechanism and pushbutton(s) work properly. If the chime does not sound:
 - a. Confirm the code settings in the chime mechanism and wireless pushbutton(s) are the same. Jumpers (F) installed on the numbered contacts on the chime mechanism must match the switches or jumpers in the wireless pushbutton(s). (Figures 7 & 8)

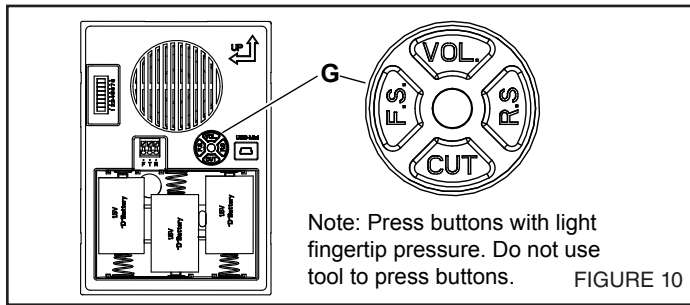


- b. Verify proper installation of batteries in chime mechanism and pushbutton(s).
 - c. Check condition of batteries in chime mechanism and pushbutton(s). Replace if required.
4. After confirming chime operates, follow steps under section titled "Manage Chime Notification" before proceeding to Step 5.
 5. If more than one pushbutton is being installed, refer to Figure 9 to assign doors.



6. Install the wireless pushbutton(s) at the desired door(s). Refer to installation instructions provided with wireless pushbutton(s).
7. Place chime mechanism in desired location. Confirm operation by pressing pushbutton(s). If the chime does not sound:
 - a. The chime or pushbutton(s) are mounted on or near stucco or metal studs, the transmitter range may be reduced. Use wood shims to raise chime or pushbutton(s) 1/4" to 1/2" from surface.
 - b. Concrete floors and walls may also reduce transmitter range. Move chime away from concrete floor or wall.
 - c. Install chime mechanism closer to wireless pushbutton(s).
8. Remove batteries from mechanism.
9. Mount chime base to wall using screws provided (see Step 8 in "New Wired Chime Installation" section).
10. After mounting chime base to wall, install batteries.
11. Place cover (B) over chime base (A) and press down to install. A "click" will confirm that it is securely attached. (Figure 1).
12. Proceed to section titled: "Manage Chime Notification"

MANAGE CHIME NOTIFICATION



Select a Tune

The four button switch and indicator LED (G) on the chime are used to select the desired tunes for the chime. (Figure 10)

1. Make sure that the chime is powered (batteries or wiring).
2. Press “FS” button (Figure 10) one or more times to cycle through the tunes for the front door pushbutton. Do not press “FS” button after desired tune plays.
3. If rear door pushbutton is installed, press “RS” button (Figure 10) one or more times to cycle through the tunes for the rear door pushbutton. Do not press “RS” button after desired tune plays.

Set Tune Duration

1. Once the tune is selected, the time the tune plays can be adjusted to one of four durations:
 - Press the “CUT” button (Figure 10) one or more times to select the play time desired (5, 10, 20 seconds or the full song).
 - The desired play time is indicated by the LED indicator as outlined in the table below:

Length of Tune Played	Frequency of Flashing LED
5 sec.	Flashes once every second for 20 seconds.
10 sec.	Flashes 2 times, delays for 2 seconds, then repeats for 20 seconds.
20 sec.	Flashes 3 times, delays for 2 seconds, then repeats for 20 seconds.
Full Song Played	LED is illuminated continuously for 20 seconds.

Adjust volume

While the tune is playing, press “VOL” button (Figure 10) one or more times to cycle through three volume levels.

Regulatory Information

The user is cautioned that changes or modifications not expressly approved by the party responsible for regulatory compliance could void the user’s authority to operate this equipment.

This device complies with Part 15 of the FCC rules.

This device complies with RSS-210 of the Industrial Canada Rule.

Operation is subject to the following two conditions:

1. This device may not cause harmful interference, and
2. This device must accept any interference received, including interference that may cause undesired operation.

WARRANTY

NUTONE ONE YEAR LIMITED WARRANTY

NuTone warrants to the original consumer purchaser of its products that such products will be free from defects in materials or workmanship for a period of one year from the date of original purchase. THERE ARE NO OTHER WARRANTIES, EXPRESS OR IMPLIED, INCLUDING, BUT NOT LIMITED TO, IMPLIED WARRANTIES OF MERCHANTABILITY OR FITNESS FOR A PARTICULAR PURPOSE.

During this one-year period, NuTone will, at its option, repair or replace, without charge, any product or part which is found to be defective under normal use and service.

THIS WARRANTY DOES NOT EXTEND TO FLUORESCENT LAMP STARTERS, TUBES, HALOGEN AND INCANDESCENT BULBS, FUSES, FILTERS, DUCTS, ROOF CAPS, WALL CAPS AND OTHER ACCESSORIES FOR DUCTING. This warranty does not cover (a) normal maintenance and service or (b) any products or parts which have been subject to misuse, negligence, accident, improper maintenance or repair (other than by NuTone), faulty installation or installation contrary to recommended installation instructions.

The duration of any implied warranty is limited to the one-year period as specified for the express warranty. Some states do not allow limitation on how long an implied warranty lasts, so the above limitation may not apply to you.

NUTONE’S OBLIGATION TO REPAIR OR REPLACE, AT NUTONE’S OPTION, SHALL BE THE PURCHASER’S SOLE AND EXCLUSIVE REMEDY UNDER THIS WARRANTY. NUTONE SHALL NOT BE LIABLE FOR INCIDENTAL, CONSEQUENTIAL OR SPECIAL DAMAGES ARISING OUT OF OR IN CONNECTION WITH PRODUCT USE OR PERFORMANCE. Some states do not allow the exclusion or limitation of incidental or consequential damages, so the above limitation or exclusion may not apply to you.

This warranty gives you specific legal rights, and you may also have other rights, which vary from state to state. This warranty supersedes all prior warranties.

To qualify for warranty service, you must (a) notify NuTone at the address or telephone number below, (b) give the model number and part identification and (c) describe the nature of any defect in the product or part. At the time of requesting warranty service, you must present evidence of the original purchase date.

Broan-NuTone LLC, 926 W. State Street, Hartford, Wisconsin 53027 www.nutone.com 888-336-6151

TIMBRE PARA PUERTA LA600WH CABLEADO / INALÁMBRICO

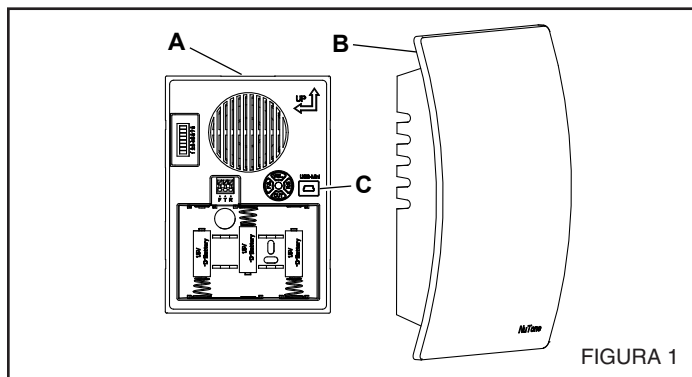
Para registrar este producto, visite: www.nutone.com

ESTE PAQUETE CONTIENE:

- Timbre para puerta cableado/inalámbrico con capacidad de carga por MP3
- Cubierta decorativa del timbre en color blanco
- Cable USB
- Herraje de montaje
- Diodo de botón (requerido para la instalación cableada)

El timbre para puerta viene con ocho sonidos previamente cargados. Antes de la instalación, suba los archivos MP3 con los sonidos deseados.

1. Quite la cubierta del timbre (B) de la base del timbre (A). Tal vez necesite insertar un dedo en el orificio grande al reverso de la base del timbre. (Figura 1)



SUBA MELODÍAS EN MP3

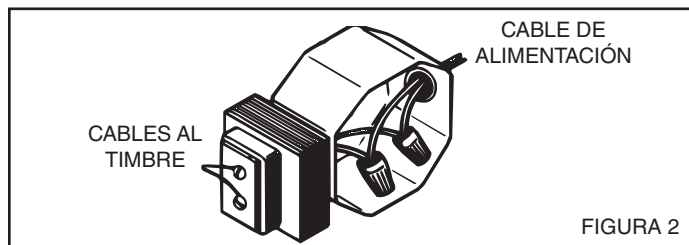
1. Inserte un extremo del cable miniatura de USB en la clavija USB del mecanismo del timbre (C). (Figura 1)
2. Inserte el extremo del cable USB más grande en un puerto USB de su computadora.
3. En su computadora **WINDOWS**:
 - Seleccione "Inicio" en la esquina inferior de su escritorio.
 - Seleccione "Mi computadora."
 - Seleccione el nuevo dispositivo detectado (la unidad "D.;" "E.;" etc., varía de una computadora a otra).
 - Seleccione el dispositivo.
 - Ahora verá una ventana que contiene varios archivos mp3. Son las melodías instaladas previamente en el mecanismo de su timbre.
 - Busque en su computadora otras canciones mp3 que desee reproducir en el mecanismo de su puerta cuando se active.
Nota: Los archivos deben estar en formato mp3.
 - Una vez que haya localizado esos archivos, simplemente "COPIE" el archivo y "PÉGUELO" en la carpeta que contiene los archivos del timbre previamente instalados.
 - Confirme que los archivos transferidos estén completos.
4. Retire el cable USB y proceda a una de las siguientes secciones.

INSTALACIÓN DE UN TIMBRE CABLEADO NUEVO

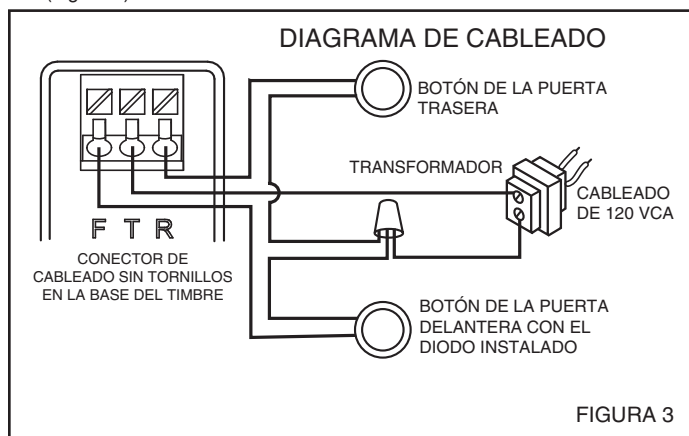
ADVERTENCIA

● PARA REDUCIR EL RIESGO DE INCENDIOS, DESCARGAS ELÉCTRICAS O LESIONES PERSONALES, SIGA LAS SIGUIENTES PRECAUCIONES:

- Use la unidad solo de la manera indicada por el fabricante. Si tiene preguntas, comuníquese con el fabricante a la dirección o al número telefónico que se incluye en la garantía.
 - Antes de dar servicio a la unidad o de limpiarla, interrumpa el suministro eléctrico en el panel de servicio y bloquee los medios de desconexión del servicio para evitar que la electricidad se reanude accidentalmente. Cuando no sea posible bloquear los medios de desconexión del servicio, fije firmemente una señal de advertencia (como una etiqueta) en un lugar visible del panel de servicio.
 - Una o más personas calificadas deben realizar el trabajo de instalación y el cableado eléctrico, de acuerdo con todos los códigos y normas correspondientes, incluidos los códigos y normas de construcción específicos de protección contra incendios.
 - Al cortar o perforar a través de la pared o del cielo raso, tenga cuidado de no dañar el cableado eléctrico ni otros servicios ocultos.
 - Utilice un transformador NuTone® de 16 voltios con una capacidad nominal mínima de 10 VA (se compra por separado).
 - Cuando engrape los cables a los montantes o a las vigas, no permita que las grapas perforen el aislamiento de los cables.
1. Monte el transformador a una caja de conexiones (no se recomienda una ubicación en un desván) o caja de interruptores de circuitos.
 2. Conecte los cables de electricidad de la casa a los cables del transformador de esta manera: negro con negro, blanco con blanco y verde con tierra. (Figura 2)

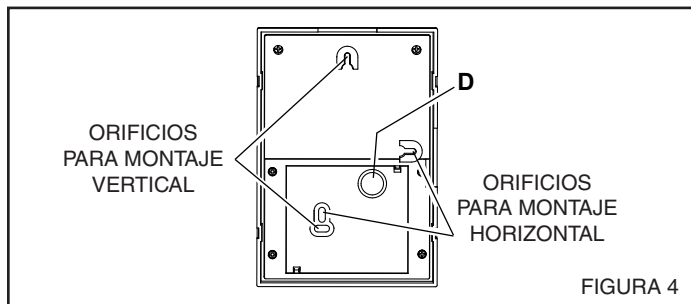


3. Encamine el cable calibre 18-22 de 2 conductores desde los terminales de tornillo del transformador y de los terminales de los botones al sitio del timbre. (Figura 3)



4. Etiquete todos los cables en la ubicación del timbre de la siguiente manera:
 - "F" – Cable para el botón delantero
 - "T" – Cable del transformador
 - "R" – Cable para el botón trasero (si está instalado)

- El timbre se puede instalar de manera vertical u horizontal. Determine su orientación preferida. Encuentre las flechas en la parte delantera de la base del timbre. Asegúrese de que una de las flechas apunte hacia arriba. (Figura 4)
- Pase los cables por el orificio circular (D) en la base del timbre. (Figura 4)
- Monte la base del timbre a la pared utilizando los tornillos suministrados. Siempre use 2 tornillos para el montaje en la pared. (Figura 4)



- Conecte los cables al conector de cableado sin tornillos de la siguiente manera: cable "F" al terminal de conector "F", cable "T" al terminal de conector "T" y cable "R" al terminal de conector "R" si está instalado (Figura 3)
- Continúe con la sección titulada: "INSTALE EL BOTÓN CABLEADO"

INSTALACIÓN DE UN TIMBRE CABLEADO EXISTENTE

DESCONECTE LA ENERGÍA ELÉCTRICA EN LA ENTRADA DE SERVICIO.

- Verifique que se tenga instalado un transformador de 16 voltios con una capacidad nominal mínima de 10 VA.
- Retire la cubierta del timbre existente.
- Etiquete todos los cables de la siguiente manera:
 "F" – Cable para el botón delantero
 "T" – Cable del transformador
 "R" – Cable para el botón trasero (si está instalado)
- Desconecte todos los cables de la base del timbre existente y retire de la pared.
- Siga los pasos 6 a 9 de la sección titulada: "INSTALACIÓN CABLEADA NUEVA"

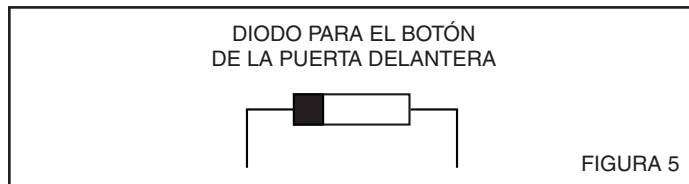
INSTALE LOS BOTONES CABLEADOS

Mientras se instale el botón, se debe desconectar la electricidad que va al transformador.

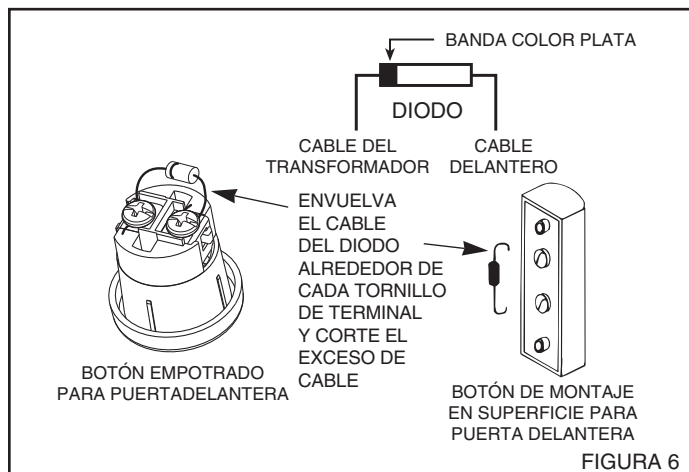
Debe agregarse un diodo en el botón de la puerta delantera, de tal manera que se suministre electricidad al timbre de manera continua.

NO INSTALE UN DIODO EN EL BOTÓN DE LA PUERTA TRASERA.

- Encuentre el sobre que contiene el diodo del botón de la puerta delantera. (Figura 5)



- Si utiliza botones existentes, retire los botones existentes de la pared. Si instala botones nuevos, consulte las instrucciones de instalación incluidas con los botones.
- Afloje suavemente los tornillos del terminal del botón e instale el diodo del paso 1, únicamente en el botón de la puerta delantera. (Figura 5) Envuelva los cables del diodo alrededor de los terminales y corte el exceso de cable. (Figura 6)



- Conecte el cable del transformador al terminal del botón de la puerta delantera más cercano a la banda color plata en el diodo. Conecte el cable del timbre al otro terminal.
- Restaura la electricidad al transformador.
- Presione el botón y escuche que suene el timbre. Si el timbre no funciona, desconecte la electricidad al transformador e invierta la orientación del diodo. Restaura la electricidad al transformador.
- Después de confirmar que funcione el timbre, siga los pasos de la sección titulada "Control de notificaciones del timbre" para seleccionar una melodía, ajustar la duración de la melodía y ajustar el volumen.
- Instale los botones en la pared.
 NOTA: Para prevenir un corto en la chapa metálica, coloque un trozo de cinta aislante en la superficie de la chapa cerca del diodo.
 NOTA: El brillo del botón iluminado se reducirá en un 30 a 40%. Esto es normal y aumentará la vida de la bombilla.
- Coloque la cubierta (B) sobre la base del timbre (A) y presione hacia abajo para instalarla. Un "clic" confirmará que está fija con firmeza. (Figura 1)
- Continúe con la sección titulada: "Control de notificaciones del timbre"

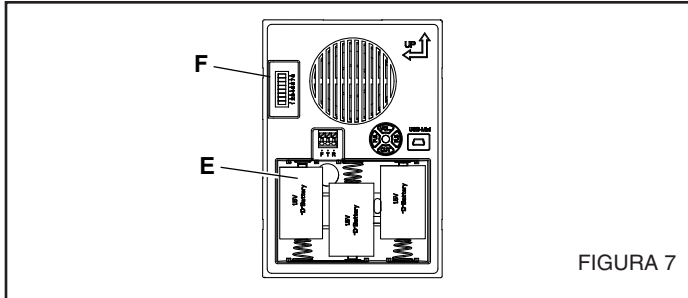
INSTALACIÓN DEL TIMBRE INALÁMBRICO

Alcance de operación inalámbrica sin obstrucciones: Hasta 100 pies (30 m).

NOTA: El botón inalámbrico se vende por separado. Consulte las instrucciones de instalación incluidas con el botón inalámbrico.

MANTENGA LAS PILAS FUERA DEL ALCANCE DE LOS NIÑOS.

1. Inserte tres pilas alcalinas tamaño "D" (no incluidas) (E) en el compartimiento de las pilas. Asegúrese de que estén orientadas correctamente. (Figura 7)



2. Consiga los botones inalámbricos (se venden por separado) e instale la pila según las instrucciones de dichos botones.
3. Presione los botones para confirmar que el mecanismo del timbre y los botones funcionan adecuadamente. Si el timbre no suena:
 - a. Confirme que la configuración de los códigos en el mecanismo del timbre y en los botones inalámbricos sea la misma. Los puentes (F) instalados en los contactos numerados en el mecanismo del timbre deben coincidir con los interruptores de los puentes en los botones inalámbricos. (Figuras 7 y 8)

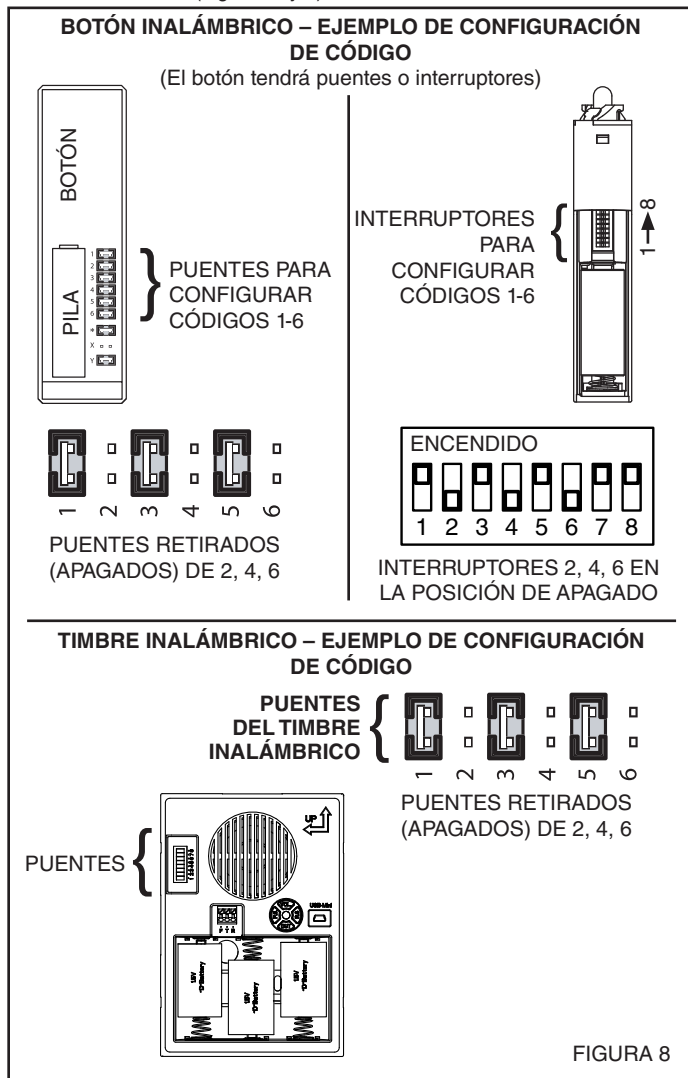


FIGURA 8

- a. Verifique la instalación adecuada de las pilas en el mecanismo del timbre y en los botones.
 - c. Verifique la condición de las pilas en el mecanismo del timbre y en los botones. Reemplace si se requiere.
4. Después de confirmar que funcione el timbre, siga los pasos de la sección "Control de notificación del timbre" antes de continuar con el paso 5.
 5. Si se instala más de un botón, consulte la figura 9 para asignar las puertas.

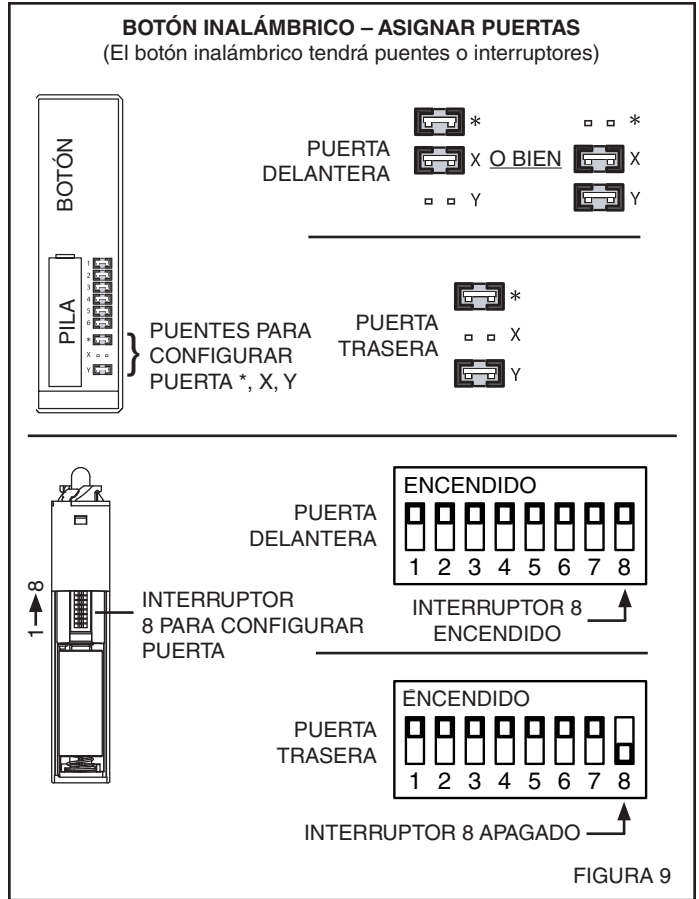
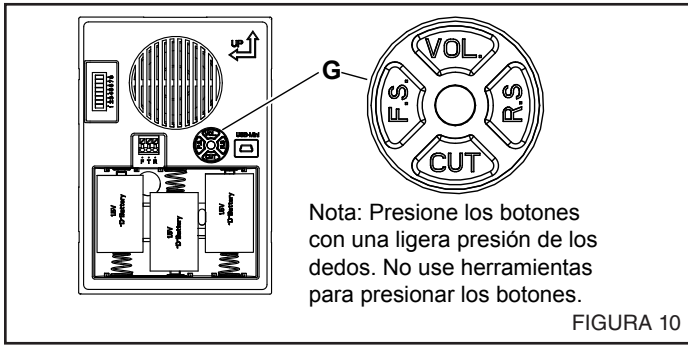


FIGURA 9

6. Instale los botones inalámbricos en las puertas deseadas. Consulte las instrucciones de instalación incluidas con los botones inalámbricos.
7. Coloque el mecanismo del timbre en la ubicación deseada. Confirme la operación presionando los botones. Si el timbre no suena:
 - a. El timbre o los botones están montados sobre estuco o pasadores metálicos, o cerca de ellos, y el alcance del transmisor se podría reducir. Use calzas de madera para subir el timbre o los botones de ¼ a ½ pulg. (6 a 13 mm) de la superficie.
 - b. Los pisos y las paredes de concreto también pueden reducir el alcance del transmisor. Aleje el timbre del piso o la pared de concreto.
 - c. Instale el mecanismo del timbre más cerca de los botones inalámbricos.
8. Retire las pilas del mecanismo.
9. Monte la base del timbre a la pared usando los tornillos suministrados (vea el paso 8 en la sección "Instalación de un timbre cableado nuevo").
10. Después de montar la base del timbre a la pared, instale las pilas.
11. Coloque la cubierta (B) sobre la base del timbre (A) y presione hacia abajo para instalarla. Un "clic" confirmará que está fija con firmeza. (Figura 1).
12. Continúe con la sección titulada: "Control de notificaciones del timbre".

CONTROL DE NOTIFICACIONES DEL TIMBRE



Selección de una melodía

Para seleccionar las melodías deseadas para el timbre, se utilizan el interruptor de cuatro botones y el indicador LED (G) en el timbre. (Figura 10)

1. Asegúrese de que el timbre tenga energía (con pilas o con cableado).
2. Presione el botón "FS" (Figura 10) una vez o más para alternar entre las melodías para el botón de la puerta delantera. No presione el botón "FS" después de que se escuche la melodía deseada.
3. Si está instalado el botón de la puerta trasera, presione el botón "RS" (Figura 10) una vez o más para alternar entre las melodías para el botón de la puerta trasera. No presione el botón "RS" después de que se escuche la melodía deseada.

Configure la duración de la melodía

1. Una vez que seleccione la melodía, puede ajustar el tiempo que se reproduzca con una de cuatro duraciones:
 - Presione el botón "CUT" (Figura 10) una vez o más para seleccionar el tiempo deseado de reproducción (5, 10, 20 segundos o la canción completa).
 - El tiempo de reproducción deseado se indica con el indicador LED, tal como se define en la tabla siguiente:

Duración de melodía reproducida	Frecuencia del LED destellante
5 seg.	Destella una vez por segundo durante 20 segundos.
10 seg.	Destella 2 veces, se demora 2 segundos y luego repite durante 20 segundos.
20 seg.	Destella 3 veces, se demora 2 segundos y luego repite durante 20 segundos.
Se reproduce toda la canción	El LED se enciende continuamente durante 20 segundos.

Ajuste el volumen

Mientras se reproduce la melodía, presione el botón "VOL" (Figura 10) una vez o más para alternar entre los tres niveles de volumen.

Información normativa

Se advierte al usuario que cualquier cambio o modificación no aprobado específicamente por las autoridades normativas podría dar lugar a la anulación del permiso del usuario para operar este equipo.

Este dispositivo cumple con la Parte 15 de las reglas de la FCC.

Este dispositivo cumple con la norma industrial canadiense RSS-210.

La operación está sujeta a las dos condiciones siguientes:

1. Este dispositivo no puede ocasionar interferencia nociva, y
2. Este dispositivo debe aceptar toda interferencia recibida, incluida la interferencia que pueda ocasionar una operación indeseada.

GARANTÍA

GARANTÍA LIMITADA DE UN AÑO DE NUTONE

NuTone garantiza al comprador original de sus productos que dichos productos carecerán de defectos en materiales o en mano de obra por un período de un año a partir de la fecha original de compra. NO EXISTEN OTRAS GARANTÍAS, EXPLÍCITAS O IMPLÍCITAS, INCLUYENDO, ENTRE OTRAS, GARANTÍAS IMPLÍCITAS DE COMERCIALIZACIÓN O APTITUD PARA UN PROPÓSITO PARTICULAR.

Durante este período de un año, NuTone, a su criterio, reparará o reemplazará, sin cargo alguno, cualquier pieza o producto que se encuentre defectuoso bajo condiciones normales de uso y servicio.

LA PRESENTE GARANTÍA NO CUBRE TUBOS O ARRANCADORES DE LÁMPARAS FLUORESCENTES, BOMBILLAS HALÓGENAS E INCANDESCENTES, FUSIBLES, FILTROS, CONDUCTOS, TAPAS DE TECHO O DE PARED Y DEMÁS ACCESORIOS DE CANALIZACIÓN. Esta garantía no cubre: (a) mantenimiento y servicio normales ni (b) ningún producto o piezas que se hayan sometido a uso inadecuado, negligencia, accidente, mantenimiento o reparación inadecuada (no hecha por NuTone), instalación incorrecta o instalación que vaya en contravención de las instrucciones de instalación recomendadas.

La duración de cualquier garantía implícita se limita a un período de un año, como se especifica en la garantía expresa. Algunos estados no permiten limitaciones en cuanto al tiempo de vencimiento de una garantía implícita, por lo que la limitación antes mencionada podría no aplicarse a usted.

LA OBLIGACIÓN DE NUTONE DE REPARAR O REEMPLAZAR, A OPCIÓN DE NUTONE, SERÁ EL ÚNICO Y EXCLUSIVO RECURSO DEL COMPRADOR BAJO ESTA GARANTÍA. NUTONE NO SERÁ RESPONSABLE POR DAÑOS INCIDENTALES, RESULTANTES O ESPECIALES QUE SURJAN DE, O EN RELACIÓN CON, EL USO O RENDIMIENTO DEL PRODUCTO. Algunos estados no permiten la exclusión o limitación de daños incidentales o resultantes, por lo que la limitación antes mencionada podría no aplicarse a usted.

Esta garantía le otorga derechos legales específicos, y usted podría tener otros derechos que varían de un estado a otro. Esta garantía sustituye a todas las garantías anteriores.

Para tener derecho al servicio de la garantía, usted debe (a) notificar a NuTone a la dirección y número de teléfono que aparecen abajo, (b) proporcionar el número de modelo y la identificación de la pieza y (c) describir la naturaleza de cualquier defecto en el producto o pieza. En el momento de solicitar el servicio cubierto por la garantía, debe presentar un comprobante de la fecha de compra original.

Broan-NuTone LLC, 926 W. State Street, Hartford, Wisconsin 53027 www.nutone.com 888-336-6151