

Range Hoods

RL-H SERIES (RL6100-H, RL6200-H, RL6300-H)

IMPORTANT SAFETY INSTRUCTIONS

WARNING — TO REDUCE THE RISK OF FIRE ELECTRIC SHOCK, OR INJURY TO PERSONS, OBSERVE THE FOLLOWING:

- Use this unit only in the manner intended by the manufacturer. If you have questions, contact the manufacturer.
- Before servicing or cleaning unit, switch power off at service panel and lock service panel to prevent from being switched on accidentally.

When the service disconnecting means cannot be locked, securely fasten a prominent warning device, such as a tag, to the service panel.

CAUTION: To reduce the risk of fire or electric shock, do not use this range hood with an additional speed control device.

WARNING — TO REDUCE THE RISK OF RANGE TOP GREASE FIRE:

- Never leave surface units unattended at high settings. Boilovers cause smoking and greasy spillovers that may ignite. Heat oils slowly on low or medium settings.
- Always turn hood ON when cooking at high heat or when cooking flaming foods.
- Clean ventilating fans frequently. Grease should not be allowed to accumulate on fan or filter.
- Use proper pan size. Always use cookware appropriate for the size of the surface element.

WARNING — TO REDUCE THE RISK OF INJURY TO PERSONS IN THE EVENT OF A RANGE TOP GREASE FIRE, OBSERVE THE FOLLOWING*:

- SMOTHER FLAMES with a close-fitting lid, cookie sheet, or metal tray, then turn off the burner. BE CAREFUL TO PREVENT BURNS. If the flames do not go out immediately, EVACUATE AND CALL THE FIRE DEPARTMENT.
- NEVER PICK UP A FLAMING PAN — you may be burned.
- DO NOT USE WATER, including wet dishcloths or towels — a violent steam explosion will result.
- Use an extinguisher ONLY if:
 1. You know you have a Class ABC extinguisher, and you already know how to operate it.
 2. The fire is small and contained in the area where it started.
 3. The fire department is being called.
 4. You can fight the fire with your back to an exit.

*Based on "Kitchen Fire Safety Tips" published by NFPA.

INSTALLATION INSTRUCTIONS

WARNING — TO REDUCE THE RISK OF FIRE ELECTRIC SHOCK, OR INJURY TO PERSONS, OBSERVE THE FOLLOWING:

- Installation work and electrical wiring must be done by qualified person(s) in accordance with all applicable codes and standards - including fire-rated construction.
- Sufficient air is needed for proper combustion and exhausting of gases through the flue (chimney) of fuel burning equipment to prevent back drafting. Follow the heating equipment manufacturer's guidelines and safety standards such as those published by the National Fire Protection Association (NFPA), and the American Society for Heating, Refrigeration and Air Conditioning Engineers (ASHRAE), and local code authorities.
- When cutting or drilling into wall or ceiling, do not damage electrical wiring and other hidden utilities.
- Ducted fans must always be vented to the outdoors.

WARNING: "To reduce the risk of fire, use only metal ductwork".

CAUTION: To reduce the risk of fire and to properly exhaust air, be sure to duct air outside. Do not vent exhaust air into spaces within walls or ceilings or into attics, crawl spaces or garages.

PLANNING

- Recommended mounting height is 24" to 30" above the cooking surface.
- The hood should be mounted to the bottom of a standard wall cabinet. If the hood must be mounted directly to a wall, secure the hood to wall studs.
- All wiring must be properly grounded. Connection should be made to a 110-120VAC lighting circuit (15 Amp) in the circuit breaker or fuse box.
- **DUCTING:**
 - (a) RL6300-H installs with 7" round duct vented vertically. RL5300-H installs with 5" round duct vented vertically or horizontally.
 - (b) Make the duct run as short as possible. Try to avoid the use of elbows in the duct. All joints should be properly sealed. Do not use duct smaller than the discharge on the hood.
 - (c) Do not terminate duct in an attic space. Run duct to the outside, using a roof or wall cap to terminate the run.

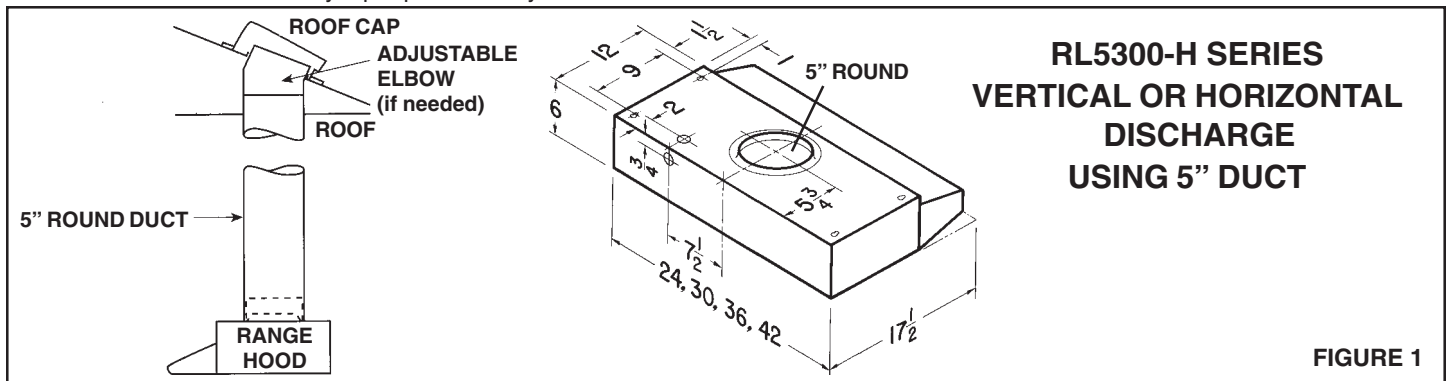


FIGURE 1

**RL6100-H SERIES
VERTICAL OR HORIZONTAL
DISCHARGE
USING 3 1/4" X 10" DUCT**

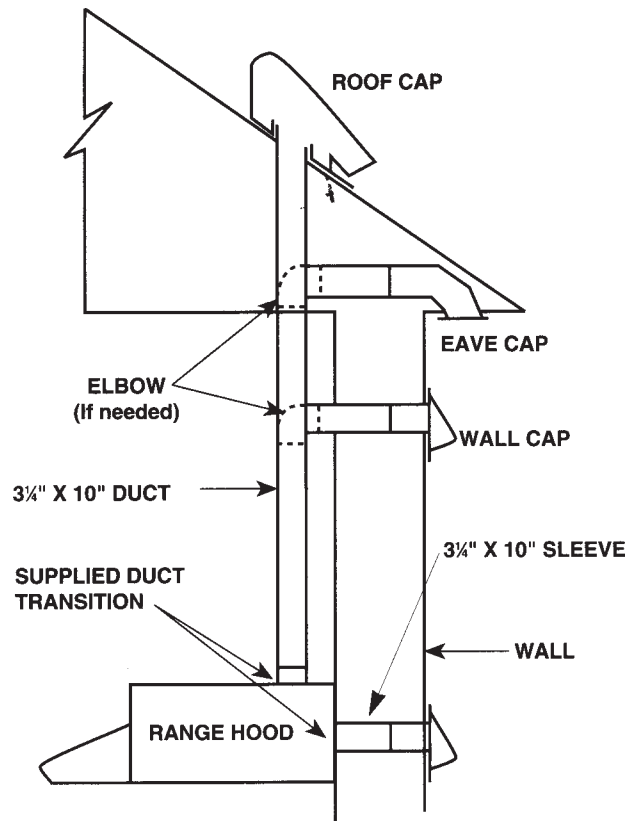
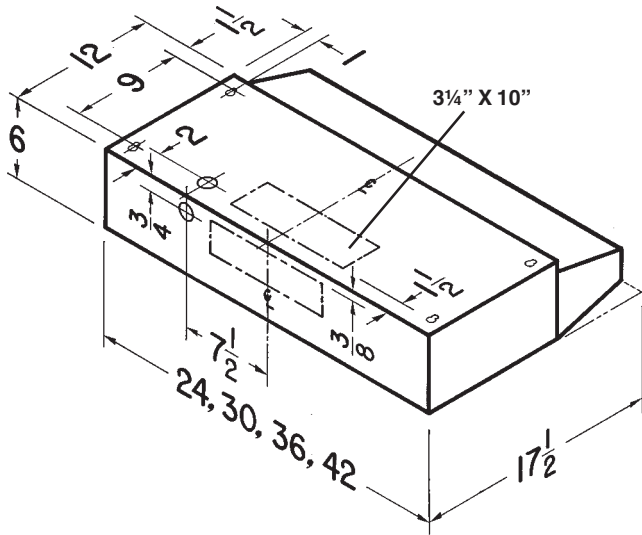


FIGURE 2

**RL6300-H SERIES
VERTICAL OR HORIZONTAL
DISCHARGE
USING 7" DUCT**

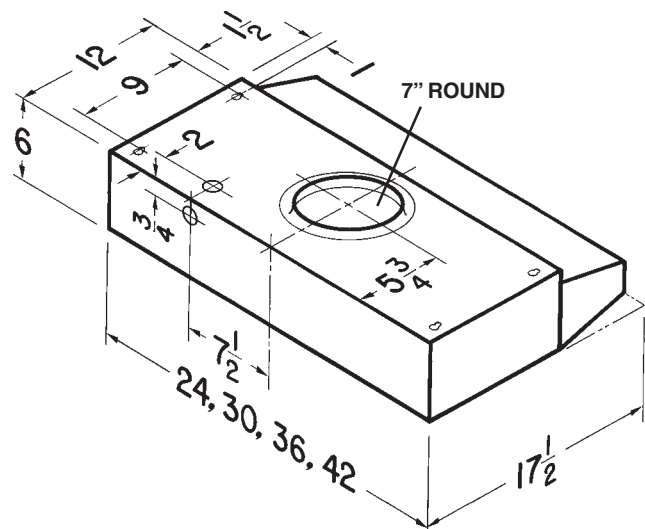
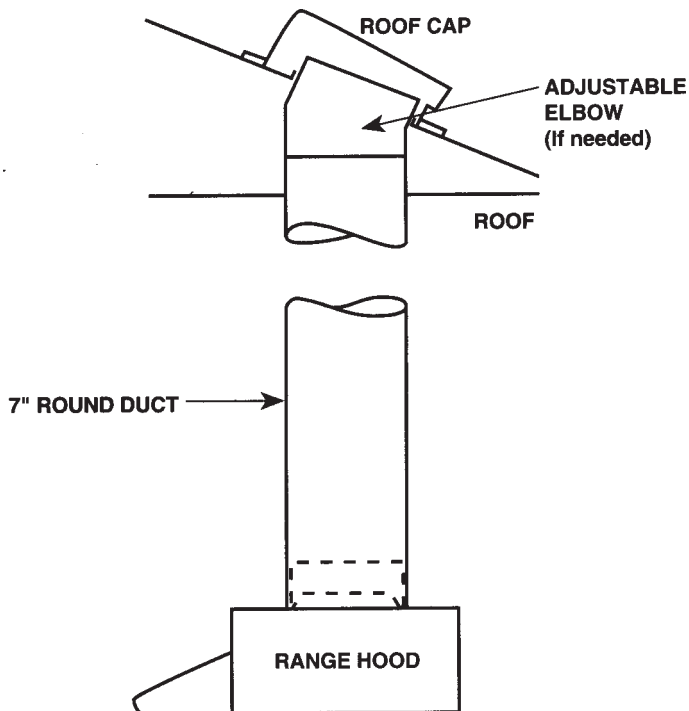


FIGURE 3

PREPARATION

1. Use the dimensional drawing to lay out the Range Hood's mounting holes, wiring access and ductwork.
2. Make cutouts for wiring and ductwork.
3. If the hood is to be ducted, install the ductwork so that is flush to the Range Hood's mounting surface.
 - Refer to Figure 1 for Model RL5300-H.
 - Refer to Figure 2 for Model RL6100-H.
 - Refer to Figure 3 for Model RL6300-H.
4. Run two-conductor wire (with ground) from a power source to the hood location. Bring approximately 12" of wiring through wiring hole in cabinet.
5. Drill four 3/32" diameter pilot holes at points where mounting holes are marked in the filler strips or cabinet bottom.
6. Insert four (4) mounting screws (not supplied), leaving approximately 1/4" of thread exposed. Use No. 8 or No. 10 round head screws.

INSTALLATION

1. For RL6100 model, attach duct transition to top or back of hood using screws provided. (Refer to figure 4)
Note: for horizontal venting the damper in the duct transition may be removed to avoid interference with the wall cap.
2. Remove top or back wiring knockout from the hood and feed the wiring into electrical box.
3. Align hood's keyhole mounting slots over the four partially installed screws.
4. Making sure the duct positions over the hood's duct transition, push the hood against the rear wall. Secure hood by tightening screws.
5. Using a long blade screwdriver, reach into the discharge openings and be certain the damper operates freely.
6. Secure ducting to hood.

WIRING CONNECTIONS

All wiring connections must comply with local codes and the unit must be properly grounded.

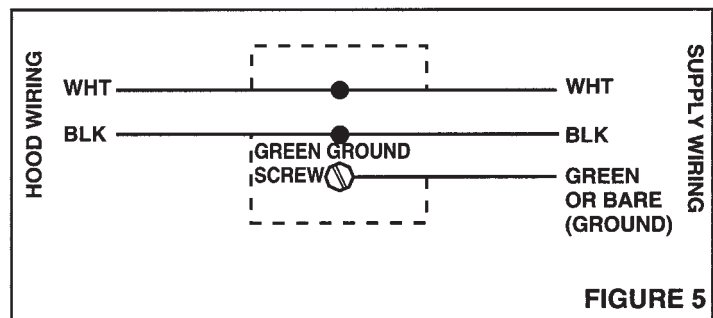
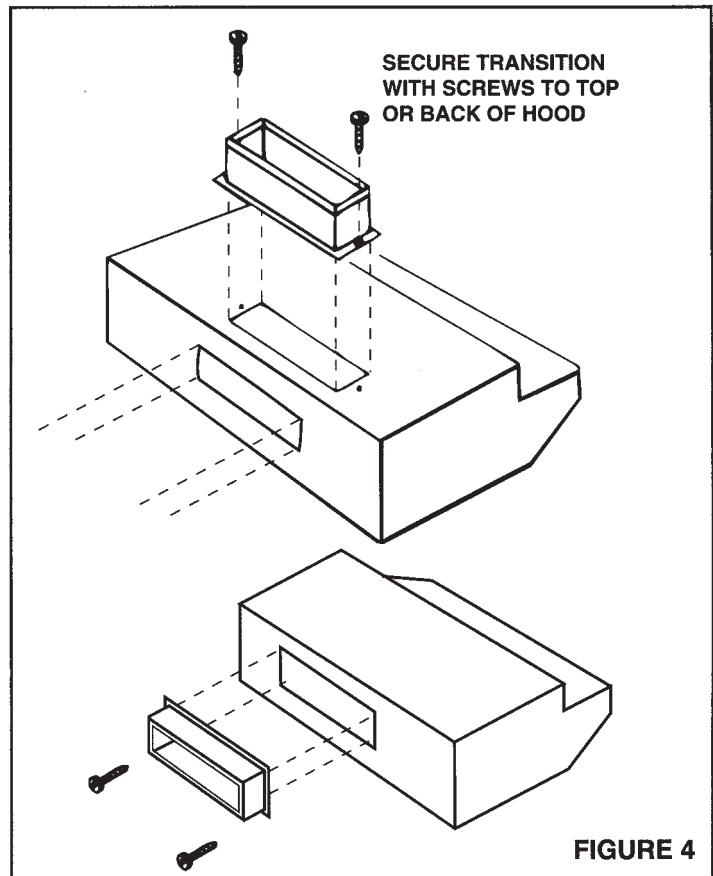
1. Make sure box connector is secure.
2. Refer to Figure 5. Make wiring connections.
3. Replace electrical box cover and secure with screw.

COMPLETING ASSEMBLY

1. Install 75-watt (maximum) bulb in to receptacle. (Purchase bulb locally).
2. Install filter and light lens.

REPLACEMENT PARTS

Should replacement parts be required, please indicate hood model number and appropriate part number. Contact your NuTone dealer or write to NuTone: Madison and Red Bank Roads, Cincinnati, Ohio 45227-1599. Attn.: Parts Department.



OPERATION AND MAINTENANCE

NOTE: To avoid risk of fire, electrical shock, or injury, turn off power at supply before servicing.

FILTERS

The aluminum filter should be removed once a week and washed in hot detergent water. Rinse in clear, warm water and shake off excess moisture before replacing. The filter may also be cleaned in your dishwasher.

CLEANING

The hood should be wiped off occasionally both inside and outside using warm water, mild dish detergent and a soft cloth. Never use scouring powders, steel wool pads or any other abrasive cleaners which will destroy the hood's finish.

REPLACEMENT FILTERS

PRODUCT MODEL

FILTER USE

	Nutone	Alternate 1	Alternate 2
RL6100-H	K7589	BP29	97006931
RL6200-H	K7588	41F	97007696
RL6300-H	K7589	BP29	97006931

NuTone®

One Year Limited Warranty

FILE THIS WARRANTY WITH YOUR IMPORTANT PAPERS

WARRANTY OWNER:

The original consumer purchaser

LENGTH OF WARRANTY:

One Year from date of original installation (Five years from date of original manufacture in the case of Motors used in all NuTone Ceiling Fans.) **ALL IMPLIED WARRANTIES FOR MERCHANTABILITY AND FITNESS ARE LIMITED IN DURATION TO THE SAME PERIODS.** Consumer must furnish proof of date of purchase.

NUTONE WILL PAY FOR:

Repair or replacement at NuTone's option, including labor to correct defects in materials or workmanship. Product repairs must be performed by an Authorized NuTone Service Center. We may opt to reimburse the purchase price, or replace with a comparable product if repair or replacement is unfeasible.

NUTONE WILL NOT PAY TO:

1. Come to your home to teach you how to use the product. 2. Replace light bulbs, dial lights, pushbuttons, batteries, or the glass portion of any product, filters, disposable bags, and other consumable items, or for replacements for changes in color or appearance resulting from aging, the elements, or normal wear and tear. 3. Repair damage or failure caused by acts of God, abuse, misuse, abnormal usage, faulty installation, use or application for which the product is not intended, improper maintenance or any repairs other than those provided by a NuTone Authorized Service Center. 4. Repair any defect or problem in Radio-Intercoms or Video systems relating to use of non-NuTone wire during installation. 5. Repair or replace any product purchased or installed outside the contiguous U.S., Alaska, Hawaii or Canada.

NUTONE INC. SHALL NOT BE LIABLE FOR INCIDENTAL OR CONSEQUENTIAL DAMAGES ARISING OUT OF OR IN CONNECTION WITH THE USE OR PERFORMANCE OF THE PRODUCT OR OTHER INDIRECT DAMAGES WITH RESPECT TO LOSS OF PROPERTY, REVENUES OR PROFITS OR COST OF REMOVAL, INSTALLATION OR RE-INSTALLATION. Some states and provinces do not allow the exclusion or limitation of incidental or consequential damages and some states do not allow limitations on how long an implied warranty lasts, so these exclusions or limitations may not apply to you. This warranty gives you specific legal rights and you may have other rights which vary from state to state and province to province.

Date of Installation

Builder or Installer

Model No. and Product Description

IF YOU NEED ASSISTANCE OR SERVICE:

For the location of your nearest NuTone Independent Authorized Service Center: **Residents of the contiguous United States** Dial Free 1-800-543-8687

Please be prepared to provide: Product model number • Date and Proof of purchase • The nature of the difficulty

Residents of Alaska or Hawaii should write to: NuTone Inc. Attn: Department of National Field Service, Madison and Red Bank Roads, Cincinnati Ohio 45227-1599.

Residents of Canada should write to: NuTone Canada Inc., 6300 Tomken Road, Mississauga, Ontario Canada L5T 1N2.

Rev. 5/95

Product specifications subject to change without notice.

Madison & Red Bank Roads, Cincinnati, Ohio 45227-1599
Printed in U.S.A., Rev. 4/99, Part No. K7591B

NuTone®