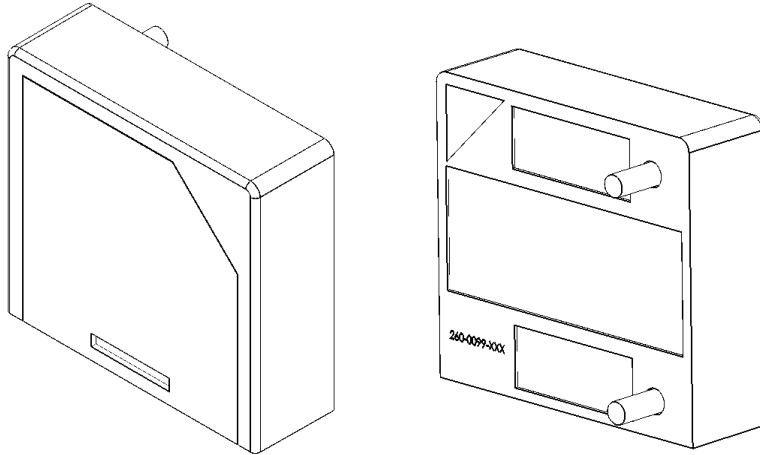


NCZ-3011 DOOR / WINDOW SENSOR

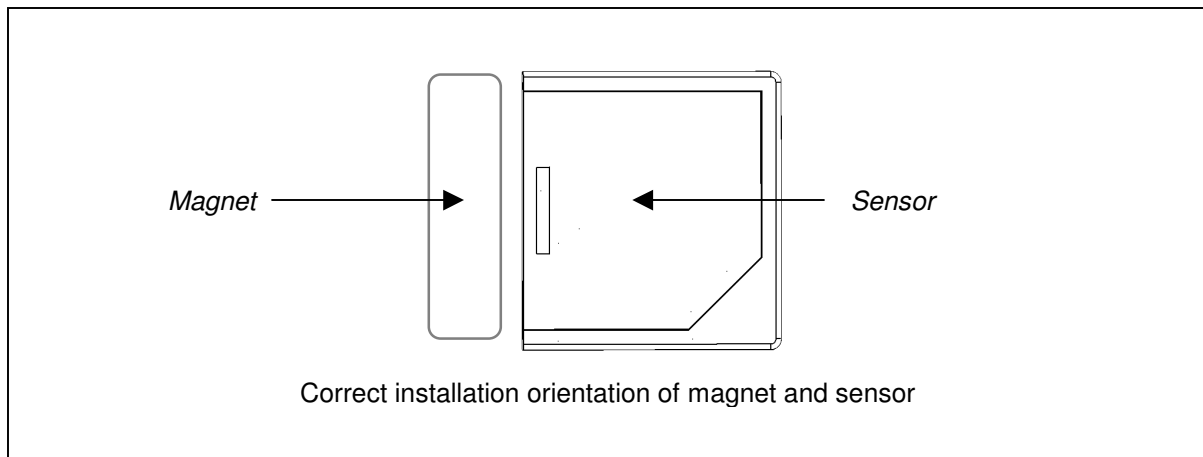
User Guide



Product Summary:

Nyce Control's NCZ-3011 is a wireless Door / Window sensor using the ZigBee radio protocol. It is used in conjunction with a low RF transmit power wireless ZigBee network to monitor the open or closed state of doors or windows. The NCZ-3011 can only detect the state of the item that it is attached to.

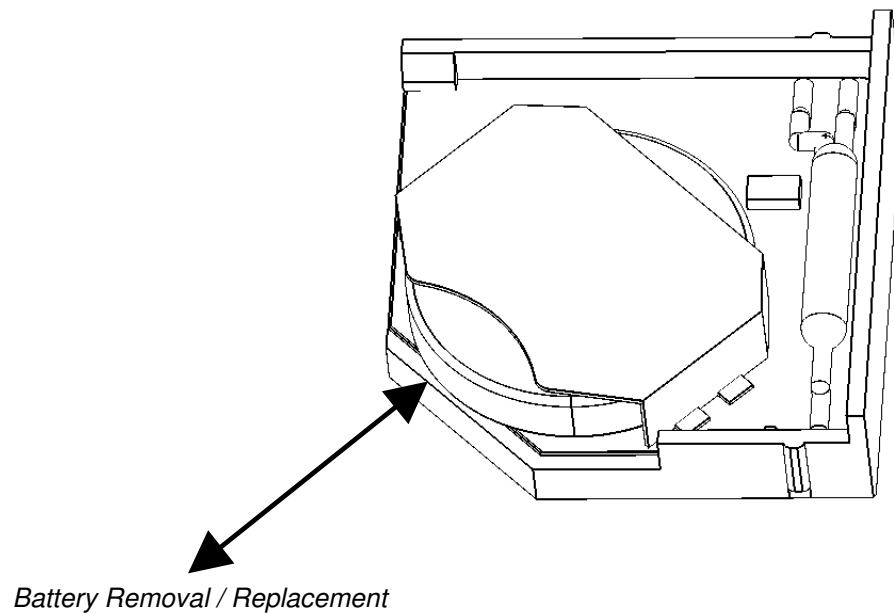
- Button functions: Identify/join Network
- Switch functions: Dry reed switch actuated by the movement of an external permanent magnet
- Accurate battery voltage level measurement and reporting back to co-ordinator
- Network operation based on the *ZigBee* open profile Home Automation
- 4-5 years projected battery life



Installation Guidelines:

Note: Installing the sensor on metal can reduce its transmission range. Test the sensor from its desired location prior to permanent installation.

- If using double sided tape for mounting sensor and magnet, thoroughly clean the surface to ensure proper adhesion because dust and particles can reduce the adhesion of the tape
- Mount the rear cover housing on door frame using double sided tape or supplied screws
- Place the NCZ-3011 indoors and away from sources of water/moisture and extreme weather conditions
- Mount the magnet on the door such that it is spaced no more than 2 cm from the sensor when the door is closed. Use double sided tape or screws.
- Insert the coin cell battery into the front cover (see diagram), noting the correct polarity of the battery
- Press the button once to join the network
- Snap in front cover to mounted rear cover.



Troubleshooting:

To improve communication:

- Reposition the sensor
- Relocate the sensor
- Move a ZigBee router / range extender closer to the sensor
- If necessary, replace the sensor

Technical Specifications:

- Model Number: NCZ-3011
- Battery Type: 3.0 V CR2032 Lithium coin cell
- RF Frequency: ZigBee channels 11-26, 2.48 GHz
- Operating Temperature: -10°C to 50°C (14°F to 122°F)
- Dimensions (LxWxH): 1.2 in. (30mm) x 1.2 in. (30mm) x 0.37 in. (9.4mm)

Battery Replacement:

- Remove front cover to expose battery
- Replace with 3.0 volt CR2032 Lithium coin cell battery, noting the correct polarity of the battery

MODEL #: NCZ-3011
FCC ID: Y8R-Z30111
IC ID: 9488A-Z30111



Compliance Statements:

For complete declarations and certifications please visit:
www.nycecontrol.com/compliance

Notices

This device complies with part 15 of the FCC rules. Operation is subject to the following two conditions: (1) this device may not cause harmful interference, and (2) this device must accept any interference received, including interference that may cause undesired operation.

Note: the manufacturer is not responsible for any radio or TV interference caused by unauthorized modifications to this equipment. Such modifications could void the user's authority to operate the equipment.

Changes or modifications not expressly approved by NYCE Control, Inc can void the user's authority to operate the equipment.

This device complies with Industry Canada license-exempt RSS standard(s). Operation is Subject to the following two conditions: (1) this device may not cause interference, and (2) this device must accept any interference, including interference that may cause undesired operation of the device.

Warranty:

For product warranty information please visit:
www.nycecontrol.com

Support:

For product support please email:
support@nycecontrol.com