

**Nyko Technolgies, Inc.**

---

*SPECIFICATION FOR APPROVAL*

:  
CUSTOMER: .....

PRODUCT NAME: ..... TYPE PAD

MODEL DETAIL: ..... 86125

V E R: ..... A1.0

FILE NUMBER: .....

**Nyko Technolgies, Inc.**  
**TYPE PAD**

**CATALOG**

1. Introduction and Application	1
2. Product Image	1
3. Product Size	1
4. The Introduction of Keyboard Interface	2
5. Instructions	4
6. Technical Parameters	5
7. Life Test Standard	5
8. Surface Requirements and Inspection Standards	6
9. Attention	6

# Nyko Technolgies, Inc.

## TYPE PAD

### I、Production introduction and function application:

1. It is applied to TYX-581 XBOXONE controller keyboard which is designed and produced by Yuyuanxin.
2. The XBOX ONE controller keyboard is designed for a Microsoft XBOX ONE Handle. it can apply to original XBOX ONE old and new two kinds of handles perfectly. it will not affect the use of headphones. and be compatible the various of XBOX ONE console system (as image 1). It can input fond, test, and symbols conveniently and quickly.
3. The players can group chat with this keyboard comfortable .It is easy to use and also can combine with any version of XBOX one original handle controller, and provide text inputting, group chat and gaming as well.
4. Its silicon surface is used the import environmental silicone, and it will be shiny green in the dark.

### II. Product Picture:

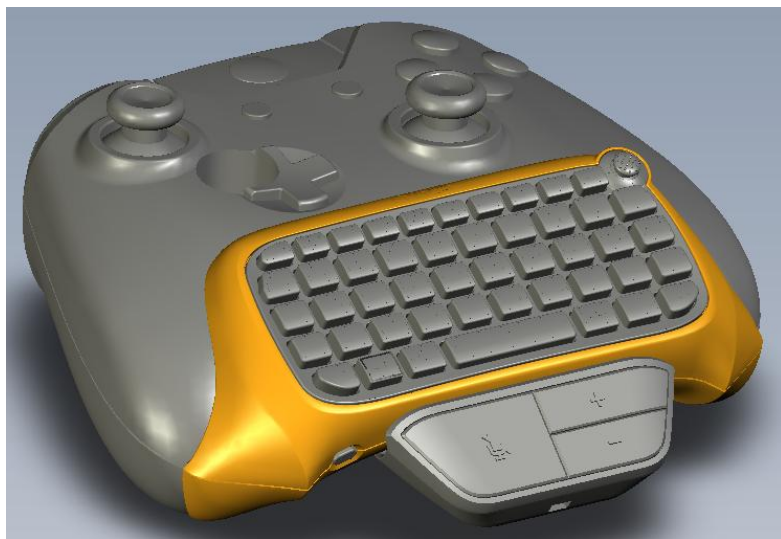


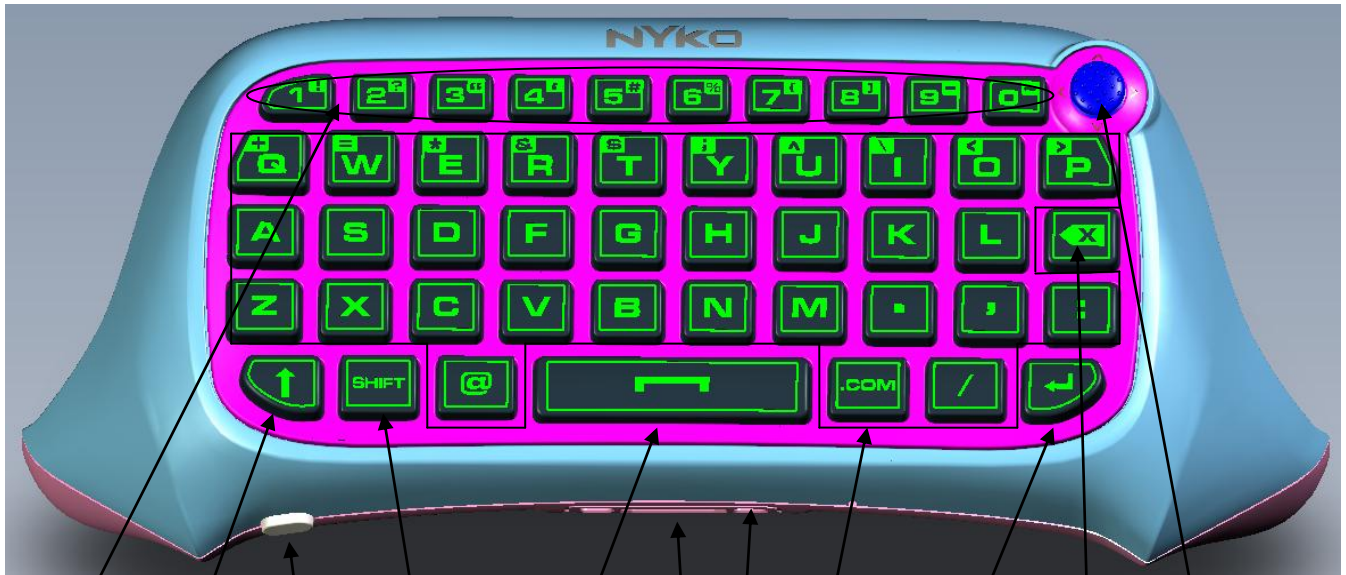
图 1

### III. Product size

# Nyko Technologys, Inc.

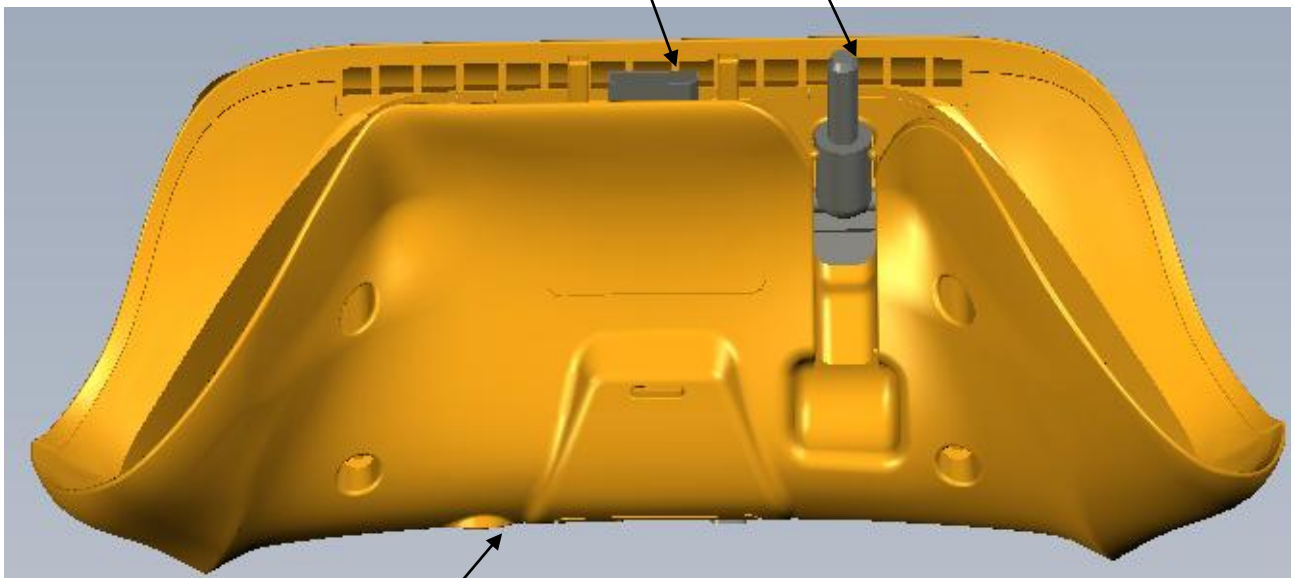
Length 142\*wide63\*high45mm

## IV、 Introduction of Keyboard interface :



1 2 3 4 5 6 7 8 9 10

11 14 12



13

1、 0-9(number key )

2、 Caps Lock

3、 Signal pair key

## Nyko Technologies, Inc.

- 4、 Shift
- 5、 SPACE
- 6、 X one
- 7、 26 letters and commonly symbol keys
- 8、 Enter
- 9、 Back space
- 10、 Stick head for five direction
- 11、 XBOX one headset male jack
- 12、 Rotating 3.5 headset male jack
- 13、 3.5 female headset
- 14、 2.4G code indicating lamp

### **V、 User Instruction:**

1. Connect the host power firstly then connect HDMI cable with display equipment. you open the console power of XBOX ONE while the indicator will be on.
- 2、 Connect the controller with XBOX one console. (if have any question please check the console specification.)
- 3、 Aim its joint pin to XBOX one guide hole, aim headset to the back seat of xbox one controller.then push the keyboard into the xbox one handle slowly until it connect .(Note:New controller need the 3.5 headset plug,you should open the silicone by arrow direction at the bottom of the keyboard,then turn 3.5 audio plug to external rotation until it is connected.)
- 4、 Under the power on status, put the 2.4G receiver to any USB port of XBOX ONE.and enter the signal pairing key on the back of the xbox one keyboard within 15 seconds.It will be paired when the blue indicator will glitter. (Note:when pairing,the distance of

## Nyko Technologies, Inc.

keyboard and receiving part must be within 0.5 meters,if pairing fails, try above steps again.)

5、 It will work when the blue indicator will turn off after pairing.

6、 Pair only once between the XBOX one keyboard with 2.4G receiver. Open the console to awake the controller automatically for future use.

7、 Five direction analog stick similar to UP.DOWN.LEFT.RIGHT .A key function for stronger user's experience.

8、 Its headset jack can be compatible with the Xbox one original headset and have the same effect as connecting with the controllers, the new controller also can be compatible with 3.5 headset for PS4.

9、 It will be in sleeping mode while the XBOX one handle sleeps, Please press

“  ”Button to awake it and controller.

### VI、 Technical parameters

1、 Applicable range: suitable to work with XBOX ONE set.

2、 Wireless version: 2.4G

3、 Wireless distance:effectiverange8-10M

4、 Working current (when the buttons press) : 0.8mA

5、 Working current (No button pressing) : 8uA

6、 Product size: 142x63x45MM

7、 Material: ABS

### VII. Life test:

1 High temperature test: set the temperature in  $60^{\circ}\text{C}\pm 2^{\circ}\text{C}$  and put the sample into the incubator then take it out after 4 hours,under the natural condition after 1-2 hours,function and appearance should be able to meet

## **Nyko Technologies, Inc.**

the inspection requirements before test,slight deformation ,drops phenomenon.

- 2 Low temperature test: set the temperature in-20℃ and do the same steps as the high temperature test.
- 3 Button life test: inspection methods and conditions:install button on the fixture analog buttons,at a rate of 25 times/min,the level not less than 250g of evenly buttons,press/ release as a results.requirement:press buttons at least 100000 times,keys should be able to work normally,silk screen and buttons/plating/paint shall have no loss.
- 4 Hardware salt spray test: Set the temperature of salt spray test chamber in 35 ℃,configurationsalt solution concentration in 5%,the PH value of 6.5-7.2,salt fog settlement for 1-2ml/80 cm 2.h., put it into the testing machine, and test it in 24h at least. Wash it after testing, it will be acceptable that there is no falloff and rusting of its appearance after washing and wiping it.

### **VIII. Appearance requirement and inspection standards:**

- 1.No deformation.no shrinkage.no burrs,no gap,spray oil evenly,no surface scratched,no dirt,no black sports and no burr for the housing.
- 2.No screw losing, cracks,poor Logo printing
- 3.Packing material and accessories must according to the requirement of the order
- 4.Other standard please refer to the similar products.

### **IX、 Attention**

In order to use the bluetooth products correctly and ensure the performance is goodplease read follow carefully.

- Do not hit the keyboard seriously.
- Do not let this product contact with benzene,thinner,chemical.etc.

## Nyko Technologies, Inc.

- Do not close to strong magnetic field ,electric field.
- Please avoid direct lighting or heating apparatus.
- Do not repair and reconstruct by yourself.
- Waste packing,batteries ,electronic products,old classification properly handle.

### FCC STATEMENT :

This device complies with Part 15 of the FCC Rules. Operation is subject to the following two conditions:

- (1) This device may not cause harmful interference, and
- (2) This device must accept any interference received, including interference that may cause undesired operation.

**Warning:** Changes or modifications not expressly approved by the party responsible for compliance could void the user's authority to operate the equipment.

NOTE: This equipment has been tested and found to comply with the limits for a Class B digital device, pursuant to Part 15 of the FCC Rules. These limits are designed to provide reasonable protection against harmful interference in a residential installation. This equipment generates uses and can radiate radio frequency energy and, if not installed and used in accordance with the instructions, may cause harmful interference to radio communications. However, there is no guarantee that interference will not occur in a particular installation. If this equipment does cause harmful interference to radio or television reception, which can be determined by turning the equipment off and on, the user is encouraged to try to correct the interference by one or more of the following measures:

Reorient or relocate the receiving antenna.

Increase the separation between the equipment and receiver.

Connect the equipment into an outlet on a circuit different from that to which the receiver is connected.

Consult the dealer or an experienced radio/TV technician for help.