



**SPECIFICATIONS**

**MODEL NO.**  
**BNC-204**

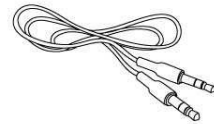
**MODEL NAME**

Wireless Dual Speakers Noise Cancelling Headphone

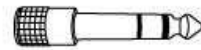
**Components and Accessories**



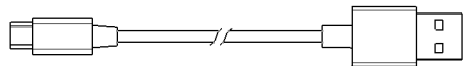
Bluetooth Dual Speakers Noise Cancelling Headphone.



Ø 3.5mm Plug-pin Double Head Cable



Ø 3.5mm→Ø 6.3mm Adaptor



Charging cable: USB A to Micro USB

Fig. 10

**Location and function keys**

**Headphone unit:**

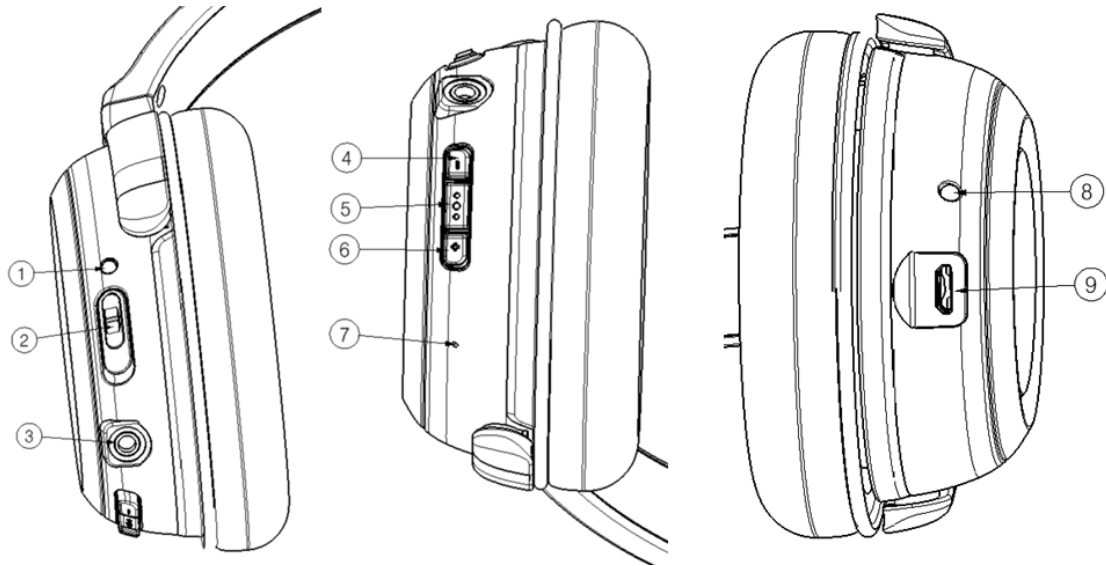


Fig. 11

- ①Indicator light: Blue-Green color. Under Bluetooth mode: blue light, Under ANC mode: green light
- ②Power switch: Power On/ ANC On
- ③3.5 audio jack: Line in
- ④Volume +: Short press to increase the volume.
- ⑤Middle Button: Power/ Play/ Pause / Pick up / Decline.
- ⑥Volume -: Short press to reduce the volume.
- ⑦Microphone hole
- ⑧Charging indicator light: Red light flash is under charging.
- ⑨Micro USB charging hole.

**LED Indicator:**

Item	Status	Flash mode
Flash function (Pair with devices which has Bluetooth function)	Turn on	Blue light flash 3 times .
	Standby (Disconnected)	Blue light long flash, 1s light and 1s dark .
	Under pairing	Blue light short flash, 0.1s light and 0.1s dark .
	Paired	None, enter to connection mode directly.
	Pairing time	150s
	Standby (Connected)	Blue light long flash, 1s light and 5s dark.
	Music playing	Blue light long flash, 1s light and 5s dark.
	Phone calling	Blue light short flash 3 times under 1s .
	On the phone	Blue light short flash 2 times under 1s.
	Turn off	Blue light flash 3 times .



**SPECIFICATIONS**

**MODEL NO.  
BNC-204**

**MODEL NAME**

Wireless Dual Speakers Noise Cancelling Headphone

Item	Status	Flash mode
Flash function (Pair with devices which has Bluetooth function)	Charging	Red light on .
	Full charge	Red light off .
	Alert when power lower than 3.2V	Under 3.2V, blue light on .
	Music pause& play & decline	None
	Turn on and connected	None, enter to connection mode directly.
	Power off when power is lower than 3V	When power is under 2.9~3.0V, Bluetooth function will be turned off automatically.
	Auto power off	Over 10 minutes without connection.

**Function Key Description:**

Item	Status	Key	
Key function (Pair with devices which has Bluetooth function)	Turn on	Under power off, press middle key for 2s.	
	Pairing		Under power off, press middle key for 4s.
			Under power on, press middle key for 2s .
	Pick up	Phone calling, short press middle key (less than 0.5s).	
	Hang off	On the phone, short press middle key (less than 0.5s).	
	Decline	Phone calling, long press middle key for 2s.	
	Volume up	Under music playing or on the phone, short press + (less than 0.5s).	
	Volume down	Under music playing or on the phone, short press - (less than 0.5s).	
	Play / Pause	Under music playing, short press middle key (less than 0.5s).	
	Turn off	Under power on, press middle key for 3s.	
	Previous song	Under music playing, continuous press - key for 0.8s .	
	Next song	Under music playing, continuous press + key for 0.8s.	
	Re-dialing	Paired but non on the phone status, short press middle key twice.	



**SPECIFICATIONS**

**MODEL NO.  
BNC-204**

**MODEL NAME**

Wireless Dual Speakers Noise Cancelling Headphone

**Voice Response:**

Item	Status	Voice alert
Voice function (Pair with devices which has Bluetooth function)	Turn on	“Hello!”
	Standby	None
	Pairing	Long voice for 1 time.
	Paired	Paired, short voice for 2 times.
	Pairing time	None
	Connection	Short voice for 2 times.
	Music playing	None
	Max volume	Short voice for 1 time.
	Minimum volume	Short voice for 1 time.
	Phone calling	Ring
	On the phone	None
	Hang off	None
	Disconnected	Short voice for 2 times.
	Turn off	“Goodbye!”
	Charging	None
	Full of charge	None
	Alert when power lower than 3.2V	Under Bluetooth mode, lower than 3.2V will have long voice each 30s.
	Music pause& play & decline	None
	Power off when power is lower than 3V	Power off when power is lower than 2.9~3.0V.
Last call re-dialing	Short voice for 1 time.	

**Bluetooth Timeout Setup**

Issue	Timeout time	Timeout Action
Pairing timeout	3 minutes	Back to disconnection mode.
Over Bluetooth effective distance	3 minutes	Re-connection will be cancelled.
Connection timeout	10 minutes	Auto turn off.



	<b>SPECIFICATIONS</b>	<b>MODEL NO.</b> <b>BNC-204</b>
	<b>MODEL NAME</b> Wireless Dual Speakers Noise Cancelling Hesdphone	

**FCC Warning:**

This device complies with part 15 of the FCC Rules. Operation is subject to the following two conditions: (1) This device may not cause harmful interference, and (2) this device must accept any interference received, including interference that may cause undesired operation.

Any Changes or modifications not expressly approved by the party responsible for compliance could void the user's authority to operate the equipment.

**FCC Radiation Exposure Statement:**

This equipment complies with FCC radiation exposure limits set forth for an uncontrolled environment.