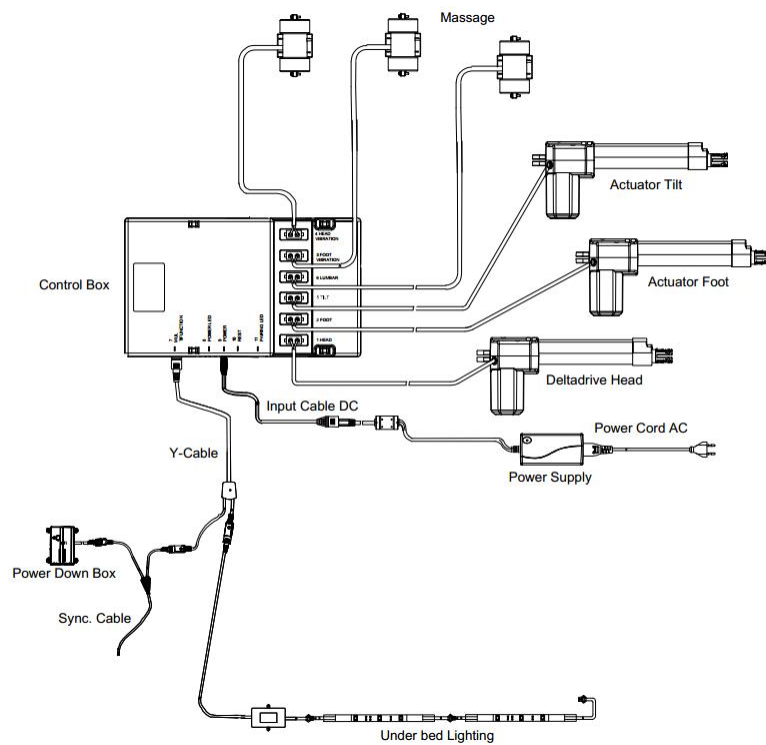
 A Phoenix Mecano Company	Issue department: Bedding Division	Date:	2017-05-03
	Product Function instruction	Author:	Kyle
CU358-3-S		No: CU358-3-S	
			Version:
Page 1 of 5			


CU358-3-S Function instruction

1. Electrical configuration diagram:



Remote (JLDK.30.06.01)



 A Phoenix Mecano Company	Issue department: Bedding Division	Date:	2017-05-03
	Product Function instruction	Author:	Kyle
CU358-3-S		No: CU358-3-S	
	Version:	1.1	
Page 2 of 5			

2. Function Picture



1. Process of test

1.1. HEAD port

Connect to head actuator, control by remote single:


Click head up button on the remote, head actuator moves out, stop when released;

Click head down button, head actuator moves in, stop when released;

This function takes effect only by pressing the corresponding button on the remote.

1.2. FOOT port

Connect to foot actuator, control by remote single:

 <small>A Phoenix Mecano Company</small>	Issue department: Bedding Division	Date:	2017-05-03
	Product Function instruction	Author:	Kyle
CU358-3-S		No: CU358-3-S	
	Version:	1.1	
	Page 3 of 5		

Click foot up button, foot actuator moves out, stop when released;
Click foot down button, foot actuator moves in, stop when released;
This function takes effect only by pressing the corresponding button on the remote.

1.3. LUMBAR port

Connect to lumbar actuator,control by remote single:
Click lumbar up button, foot actuator moves out, stop when released;
Click lumbar down button, foot actuator moves in, stop when released;
This function takes effect only by pressing the corresponding button on the remote.

1.4. LUMBAR VIBRATION

Connect to lumbar massage,control by remote:
Click lumbar massage + button,lumbar massage strengthens by one level;
Click lumbar massage - button,lumbar massage weakenby one level;
This function takes effect only by pressing the corresponding button on the remote.

1.5. FOOT VIBRATION


Connect to foot massage,control by remote:
Click foot massage + button,foot massage strengthens by one level;
Click foot massage - button,foot massage weakenby one level;
This function takes effect only by pressing the corresponding button on the remote.

1.6. HEAD VIBRATION

Connect to head massage,control by remote:
Click head massage + button,head massage strengthens by one level;
Click head massage - button,head massage weakenby one level;
This function takes effect only by pressing the corresponding button on the remote.

1.7. MULTIFUNCTION port

Connect with the same other Control box or Other accessories;

 <small>A Phoenix Mecano Company</small>	Issue department: Bedding Division	Date:	2017-05-03
	Product Function instruction	Author:	Kyle
CU358-3-S		No: CU358-3-S	
	Version:	1.1	
	Page 4 of 5		

1.8. Power LED & PAIRING LED

Power supply for control box, PAIRING LED of control box flashes for 4 times, and then turns off, POWER LED turns on.

1.9. Power

Connect to the 29V DC;

1.10. RESET button

Press and hold the RESET button, the Head, Foot and Lumber actuators will move to lower position.

1.11. Pair Function

Double click RESET button, pairing LED turns on, the control box enters into mode of code pairing; Press and hold the pairing LED of Remote, the backlight of pairing LED flashes, the backlight of remote flashes, the remote enters into mode of code pairing; The backlight of pairing LED of remote stops flashing, and the pairing LED of control box turns off, it indicates that the code pairing is successful; If fails, repeat all the processes above;


1.12. Test for underbed light

Click button of underbed light, turns on (or turns off) the underbed light, switch the status once when click once; This function takes effect only by pressing the corresponding button on the remote.

1.13. FLAT function

Press and release the FLAT button on remote, the head and foot actuators move to lower position (when the actuator is free, can turn off the vibration motor and turn off the indicator light when press once), stop when press any button;

This function takes effect only by pressing the corresponding button on the remote.

 <small>A Phoenix Mecano Company</small>	Issue department: Bedding Division	Date:	2017-05-03
	Product Function instruction	Author:	Kyle
CU358-3-S		No: CU358-3-S	
	Version:	1.1	
	Page 5 of 5		

1.14. ZERO G position function

Press and release ZERO G button on remote, the head and foot actuator moves to preset memory position, stop when press any button;

This function takes effect only by pressing the corresponding button on the remote.

1.15. LOUNGE position function

Press and release LOUNGE on remote, the head and foot actuator moves to preset memory position, stop when press any button;

This function takes effect only by pressing the corresponding button on the remote.

1.16. TV position function

Press and release TV on remote, the head and foot actuator moves to preset memory position, stop when press any button;

This function takes effect only by pressing the corresponding button on the remote.

FCC Warning :

Any Changes or modifications not expressly approved by the party responsible for compliance could void the user's authority to operate the equipment.

This device complies with part 15 of the FCC Rules. Operation is subject to the following two conditions: (1)

This device may not cause harmful interference, and (2) this device must accept any interference received, including interference that may cause undesired operation.

IC Warning :

This device complies with Innovation, Science and Economic Development Canada licence-exempt RSS standard (s). Operation is subject to the following two conditions: (1) this device may not cause interference, and (2) this device must accept any interference, including interference that may cause undesired operation of the device.

Le présent appareil est conforme aux CNR d'Innovation, Science and Economic Development Canada applicables aux appareils radio exempts de licence.

L'exploitation est autorisée aux deux conditions suivantes:

(1) l'appareil ne doit pas produire de brouillage, et

(2) l'utilisateur de l'appareil doit accepter tout brouillage radioélectrique subi, même si le brouillage est susceptible d'en compromettre le fonctionnement.