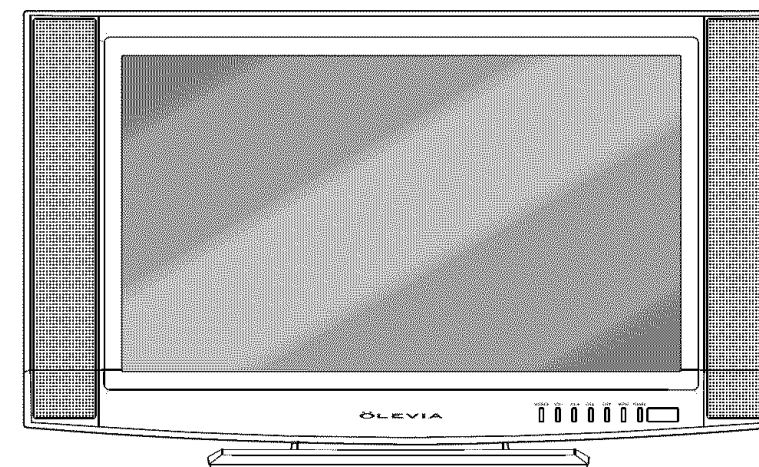


**ÖLEVIA**  
By **SYNTAX**

# User's Manual

**LCD Multi-Media Display**  
**LT23HVX**



**ÖLEVIA**  
By **SYNTAX**

Syntax Groups Corporation © 2005 All Rights Reserved  
[www.syntaxgroups.com](http://www.syntaxgroups.com)  
For Customer Service Call 888-SYNTAX-8

# Table of Contents

<b>Important Safety Instructions</b> .....	01
<b>Important Safety Precautions</b> .....	02
<b>FCC Statement</b> .....	05
<b>Accessories</b> .....	06
<b>Wall Mount Kit (Optional)</b> .....	08
<b>Installation And Connection Guide</b>	
Identifying Front and Rear Panels .....	10
Descriptions of Connector Input Types .....	12
Connecting the TV power cord .....	12
Adjusting the TV Viewing Angle .....	13
<b>Installation</b>	
Connecting to an Antenna or Video Equipment with Antenna outlet .....	14
Connecting to a VCR.....	15
Connecting to a DVD player with A/V or S-Video Cables .....	16
Connecting to a DVD player with Component Cables .....	17
Connecting to a Satellite Receiver or Cable Box with A/V Cables .....	18
Connecting to a Satellite Receiver or Cable Box with Component Connectors .....	19
Connecting to a PC with VGA Connector / Other Connections .....	20
<b>Remote Control Guide</b>	
Key Function and Descriptions .....	21
Hotkeys Tutorial .....	22
<b>Adjusting the On Screen Display (OSD)</b>	
Introduction: To Operate in the OSD .....	24
Adjusting Picture Quality .....	25
To Reset Factory Settings .....	25
Adjusting Sound Quality .....	26
To Select Stereo or Bilingual Programs .....	26
Adjusting Personal TV Settings .....	27
Setting the Channels .....	28
Editing the Channels: Add/Delete Channels.....	28
Channel Source .....	29
Closed Caption .....	29
Parental Control .....	29
Sleep .....	32
Languages .....	32
Adjusting TV Source .....	33
Adjusting TV Source under PC (VGA) Mode .....	33
Screen Adjustments .....	33
Picture Adjustments .....	34
Audio Adjustments .....	35
OSD Adjustments .....	35
<b>Troubleshooting</b> .....	36
<b>Specifications</b> .....	37
<b>Timing Mode for VGA</b> .....	38
<b>Pixels Policy</b> .....	39

# Important Safety Instructions



**Caution**  
Risk of electronic shock  
Do not open



To reduce the risk of electronic shock, do not remove cover (or back).  
No user-serviceable parts inside.  
Refer service to qualified Repair Technician or Repair Center.



The lightning flash with arrowhead symbol. Within an equilateral triangle, is intended to alert the presence of uninsulated "dangerous voltage" within the product's enclosure that may be of a sufficient magnitude to constitute a risk of electric shock to persons.



The exclamation point within an equilateral triangle, is intended to alert the user to the presence of important operating and maintenance (servicing) instructions in the literature accompanying the appliance.

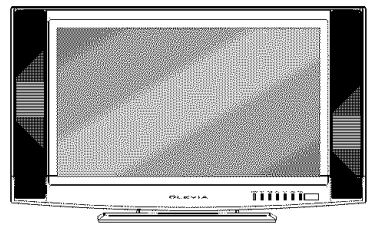
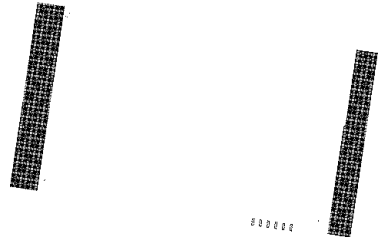
## Caution

1. Read these instructions.
2. Keep these instructions.
3. Heed all warnings.
4. Follow all instructions.
5. Do not use this apparatus near water.
6. Clean only with a dry cloth.
7. Do not block any ventilation openings. Install in accordance with the manufacturer's instructions.
8. Do not install near any heat source such as radiators, heat registers, stoves or other apparatus that produce heat.
9. Do not defeat the safety purpose of the polarized or grounding type plug. A polarized plug has type blades with one wide than the other. A grounding - type plug has two blades and a third grounding prong. The wide blade or third prong are provide for your safety.  
When the provide plug does not fit into your outlet, consult an electrician for replacement of the obsolete outlet.
10. Protect the power cord from being walked on or pinched particularly at plugs, convenience receptacles, and the point where they exit from the apparatus.
11. Only use attachment/accessories specified by the manufacturer.
12. Use only with a cart, stand, tripod, bracket or table specified by the manufacturer, or sold with the apparatus. When a cart is used, use caution when moving the cart/apparatus combination to avoid injury from tip-over.
13. Unplug this apparatus during lightning storms or when unused for long periods of time.
14. Refer all servicing to qualified service personal. Servicing is required when the apparatus has been damaged in any way, such as power supply cord or plug is damaged, liquid has been spilled or objects have fallen into the apparatus, the apparatus has been exposed to rain or moisture, does not operate normally, or have been dropped.
15. **WARNING:** To reduce to the risk of fire or electric shock, do not expose this apparatus to rain or moisture.
16. Apparatus shall not be exposed to dripping or splashing and no objects filled with liquids, such as vases, shall be placed on the apparatus.
17. Unplug the unit and inform the service center in case of abnormalities seen with regards to the operation of the unit.
18. **CAUTION:** Danger of explosion if battery is incorrectly replaced. Replace only with the same or equivalent type.
19. **WARNING:** To prevent injury, this apparatus must be securely attached to the floor/wall in accordance with the installation instructions.



## Caution

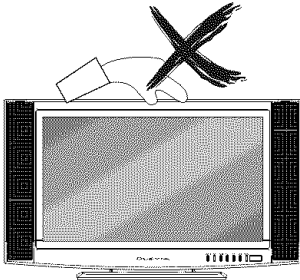
These servicing instructions are for use by qualified service personnel only. To reduce the risk of electric shock, do not perform any servicing other than that contained in the operating instructions unless you are qualified to do so.



# Important Safety Precautions

## Never insert objects or spill liquid into the display unit

Never insert any object into the display unit through openings or spill liquid on the display unit. High voltage flows in the display unit, and inserting an object can cause electric shock and/or short internal parts.



## Keep away from water and moisture

Do not place the display in areas where moisture is present or where the unit may get wet such as bathrooms, kitchen, pool area or in a wet basement.

## Keep away from heat sources

Keep the display unit away from heat sources such as radiators, heaters, stoves and other heat-generating products.

## The liquid crystal panel used in this product is made of glass

Do not hit the panel. Be careful to prevent from getting hurt by broken glass pieces in case the panel breaks.

## Follow operating instructions

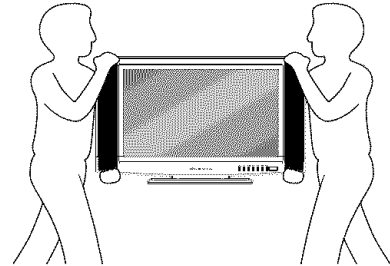
All operating instructions must be followed.

## Servicing

Do not attempt to service the display unit yourself. Removing covers expose you to high voltage and other dangerous conditions. Request a qualified service technician to perform the service.

## Precautions when transporting the display

Carrying the display requires two or more people.



## Attachments

Do not use attachments not recommended by the manufacturer. Use of inadequate attachments may result in accidents to nearby people or to the unit.

## Power source

This product must operate on a power source specified on the specification label. If you are not sure of the type of power supply used in your home, consult your dealer or local power company. For units designed to operate on batteries or another power source, refer to the operating instructions.

## AC cord protection

The AC cords must be routed properly to prevent people from stepping on them or objects from resting on them. Check the cords at the plugs and product.

## Wall mounting

Be sure to install the display unit according to the method recommended by the manufacturer. Use only the mounting hardware recommended by the manufacturer.

## Overloading

Do not overload AC outlets or extension cords. It may result in electric shock or start a fire.

# **Important Safety Precautions**

---

## **Replacement parts**

In case the display unit needs replacement parts, make sure that the service technician uses replacement parts specified by the manufacturer, or those with the same characteristics and performance as the original parts. Use of unauthorized parts can result in fire, electric shock and/or other danger.

## **Safety checks**

Upon completion of service or maintenance, request the service technician to perform safety checks to ensure that the display unit is in proper operating condition.

## **Repair**

When the display unit displays an abnormal condition, any noticeable abnormality in the display unit indicates that the display unit needs servicing.

If any of the following conditions occurs, unplug the AC cord from the AC outlet, and request a qualified service person to perform repairs.

1. A liquid was spilled on the display unit or objects have fallen into the display unit.
2. The display unit has been exposed to rain or water.
3. The display unit has been dropped or damaged.

## **Environment**

The display unit only operates within the temperature 0°C to 40°C. Operation outside of the recommended may cause damage to your product.

# FCC Statement

## Caution

This product satisfies FCC regulations when shielded cables and connectors are used to connect the unit to other equipment.

Prevent electromagnetic interference from electrical appliances such as radios and televisions. Please use shielded cables and connectors for connections.

## Warning

FCC Regulations state that any unauthorized changes or modifications to this equipment not expressly approved by the manufacturer could void the user's authority to operate this equipment.

## FCC notice

This equipment has been tested and found to comply with the limits for a Class B digital device, pursuant to part 15 of the FCC Rules. These limits are designed to provide reasonable protection against harmful interference in a residential installation. This equipment generates, uses and can radiate radio frequency energy and, if not installed and used in accordance with the instructions, may cause harmful interference to radio communications. However, there is no guarantee that interference will not occur in a particular installation. If this equipment does cause harmful interference to radio or television reception, which can be determined by turning the equipment off and on, the user is encouraged to try to correct the interference by one or more of the following measures:

- 1.Reorient or relocate the receiving antenna.
- 2.Increase the separation between the equipment and receiver.
- 3.Connect the equipment into an outlet on a circuit different from that to which the receiver is connected.
- 4.Consult the dealer or an experienced radio/TV technician for help.

Modifications not expressly approved by the manufacturer could void the user's authority to operated the equipment under FCC rules. This device complies with part 15 of the FCC Rules. Operation is subject to the following two conditions:

- 1.This device may not cause harmful interference.
- 2.This device must accept any interference received, including interference that may cause undesired operation.

## For Canadian model

This Class B digital apparatus complies with Canadian ICES-003.

## Approval

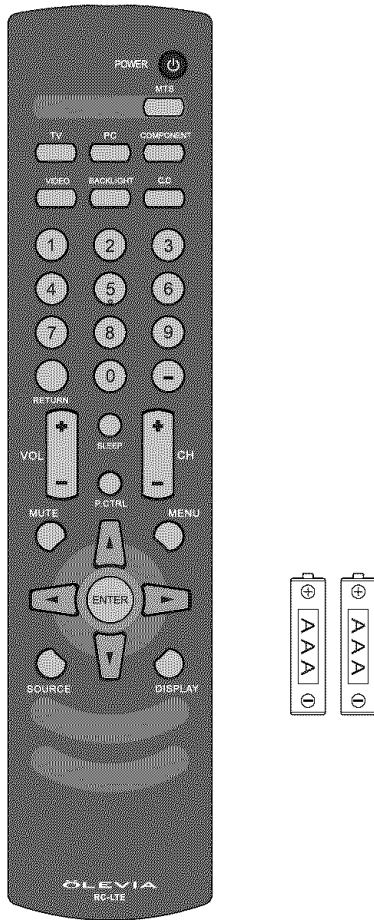


225962

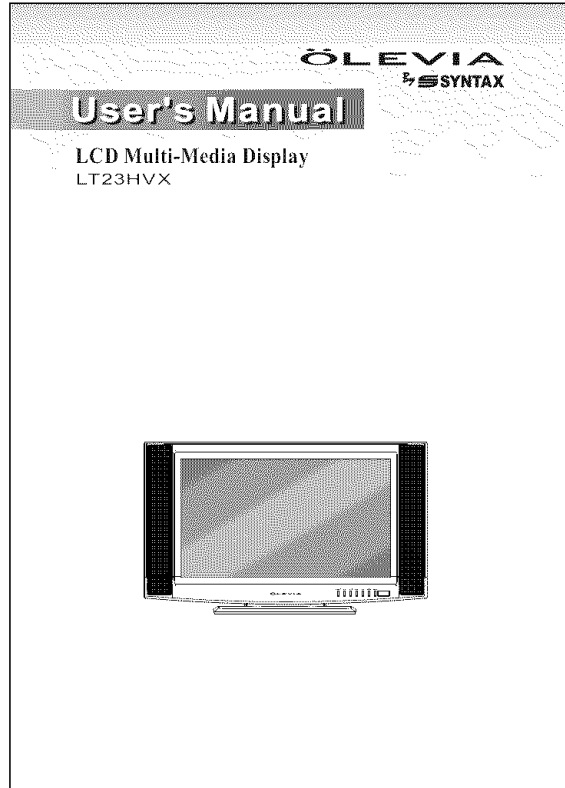
# Accessories

## Supplied accessories

Remote control & batteries (AAA x 2)



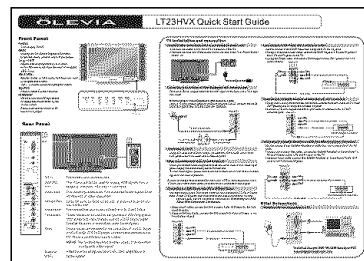
User manual booklet x 1



Power cord x 1







Quick start guide x 1







# Accessories

## Optional accessories

AV cable with RCA connector	
S-Video cable	
Audio cable with RCA connector	
VGA cable (D-Sub 15 male) x 1	

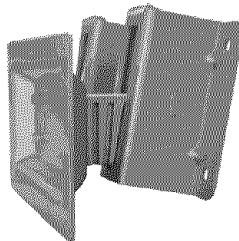
## Audio cable with stereo mini jack

Use the proper cable for the device.

Stereo mini jack cable	
Stereo mini jack to RCA cable	

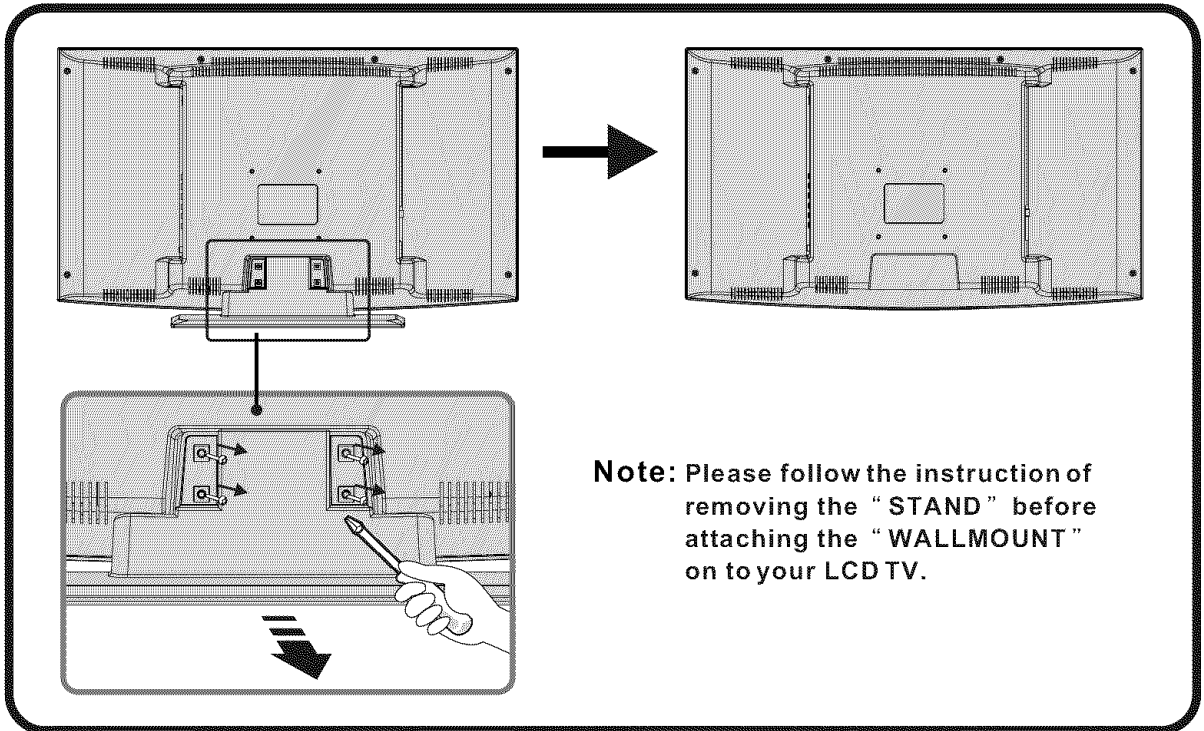
## Wall mount set

Use VESA 100 standard wall mount.

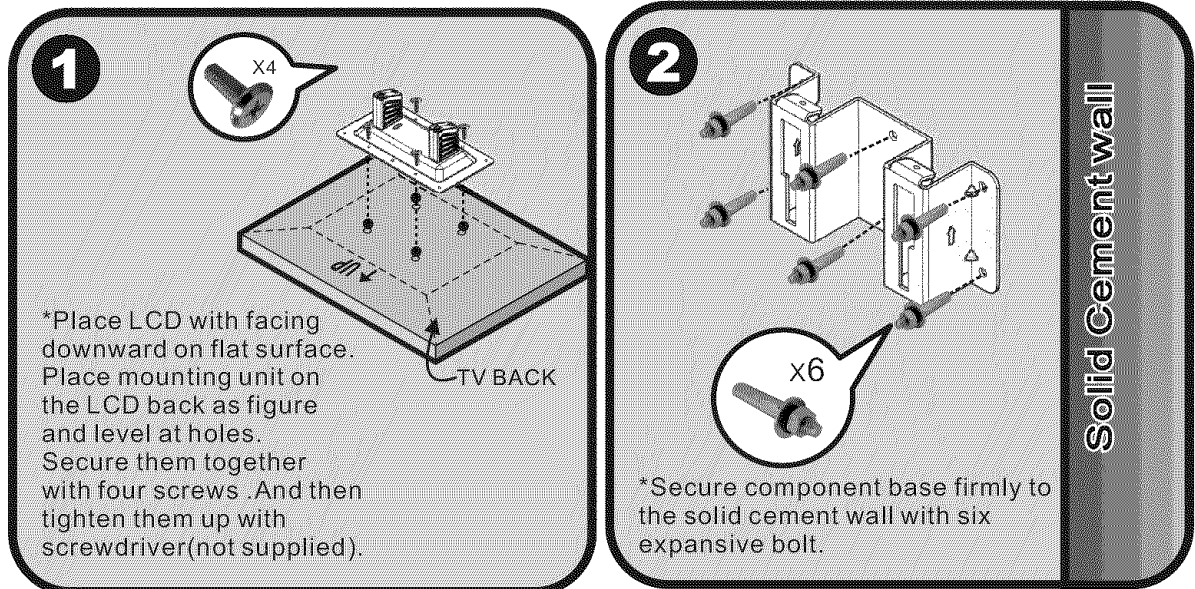


WM15D

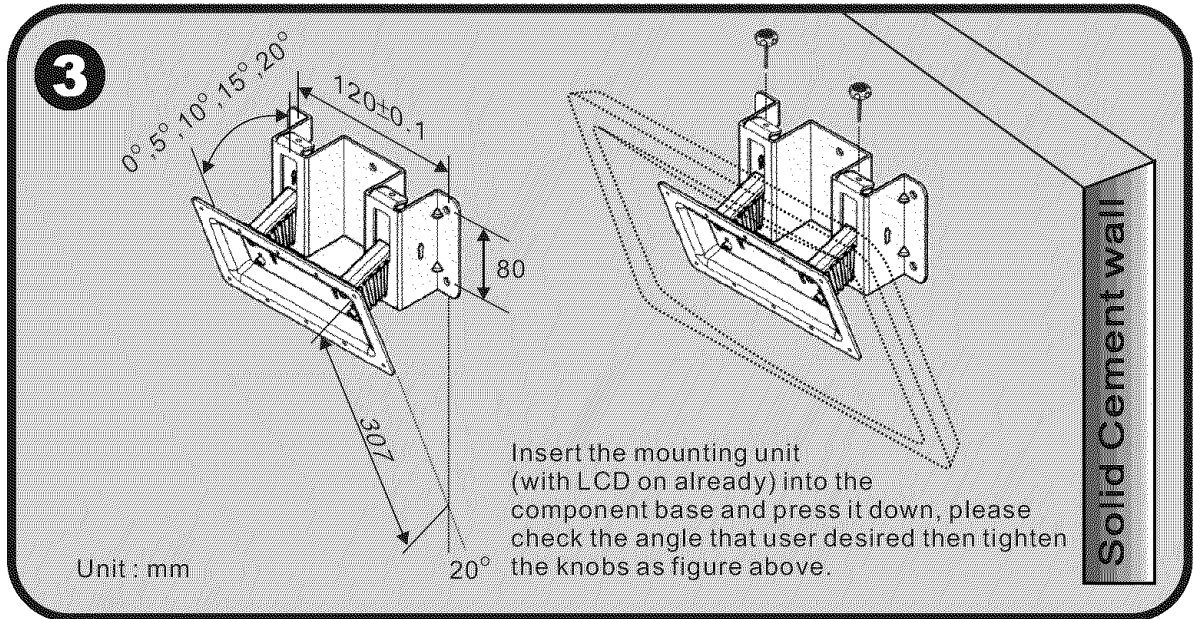
# Wall Mount Kit (Optional)



1. Before using wall mount, please read manual of wall mount and following assembly guide.
2. For safety purpose, please purchase wall mount which can bear the LCD TV weight.
3. Following installation instruction is only for your reference.
4. Please consult authorized service personnel for the installation of wall mount.



## Wall Mount Kit (Optional)



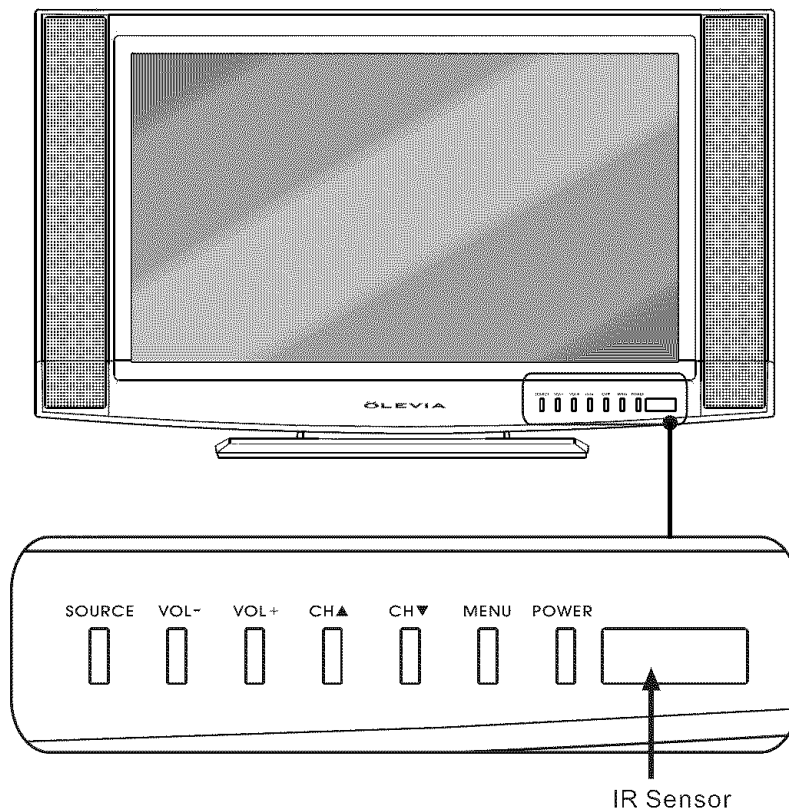
### CAUTION

- \*There are many small components used in the construction of this unit. These loose items should be kept away from young children while assembling your unit.
- \*Incomplete or inadequate mounting of this unit to the wall may cause it to fall down, resulting in potentially fatal accidents.
- \*Please consult authorized service personnel for the installation of this unit.

# TV Installation and Connection Guide

## Identifying Front and Rear Panels

### Front Panel



#### **POWER**

Turns display On/Off.

#### **MENU**

Displays the On Screen Display(OSD) menu. In the OSD menu, press to return to pre-phase .

#### **CH▲ / CH▼**

Adjusts channel programming up or down.  
In the OSD menu, both keys are used to navigate within menu.

#### **VOL+ / VOL-**

Adjusts volume. In OSD menu, both keys are used to navigate within menu.  
VOL+ is used to select the highlighted option.

#### **SOURCE**

Press to switch the input sources.

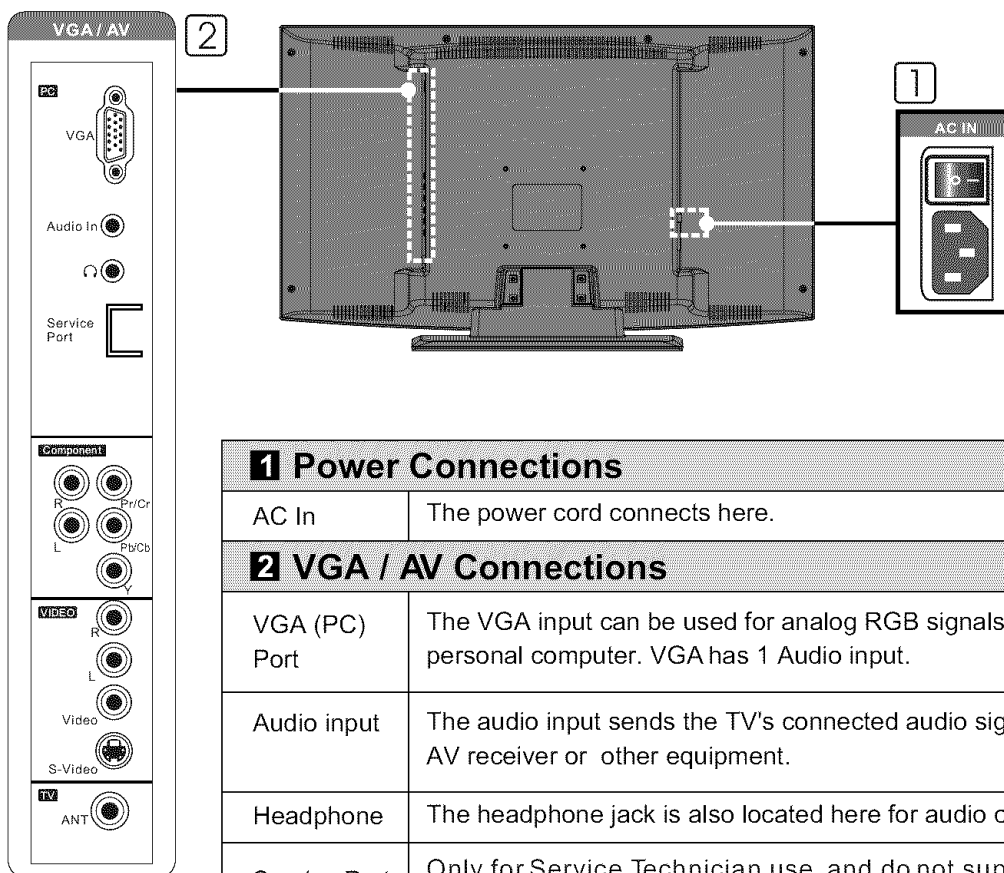
#### **IR SENSOR**

Contains Infra-red (IR) light sensor for digital data transmission by the remote control .  
Please point remote control at IR Sensor for function.

# TV Installation and Connection Guide

## Identifying Front and Rear Panels

### Rear Panel



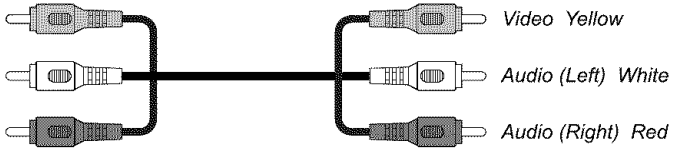
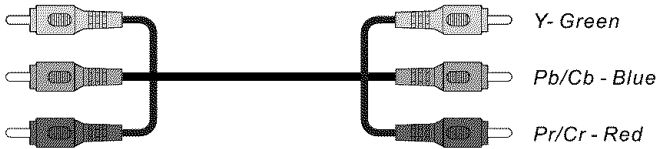


1 Power Connections	
AC In	The power cord connects here.
2 VGA / AV Connections	
VGA (PC) Port	The VGA input can be used for analog RGB signals from a personal computer. VGA has 1 Audio input.
Audio input	The audio input sends the TV's connected audio signals to an AV receiver or other equipment.
Headphone	The headphone jack is also located here for audio output.
Service Port	Only for Service Technician use, and do not support any device for user.
Component	These inputs can be used for the connection of A/V equipment with component video outputs, such as a DVD player, Digital Satellite Receiver, or compatible Video Game System.
Video	These inputs can be used for the connection of a VCR, Super VHS (S-VHS) VCR, DVD player, or other video devices to the TV. There is an S-Video input for video. <b>NOTE:</b> The S-Video input has a better quality of picture than a composite Video signal.
Antenna (ANT)	Antenna receives signals from VHF / UHF antennas or a cable system.

# TV Installation and Connection Guide

## Descriptions of Connector Input Types

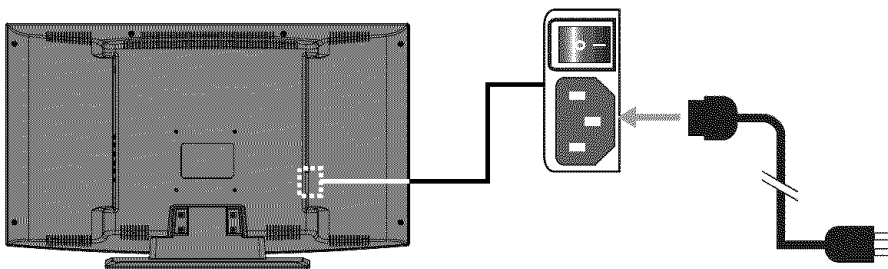
You may find it necessary to use some of the following connector types during setup.

<b>75-ohm coaxial cable</b> Used for TV cable connection .	
<b>S-Video Cable</b> High quality video cable for enhanced picture quality.	
<b>Audio/Video Cable</b>	 <p>Video Yellow Audio (Left) White Audio (Right) Red</p>
Some DVD players are equipped with the following three video connectors	 <p>Y- Green Pb/Cb - Blue Pr/Cr - Red</p>

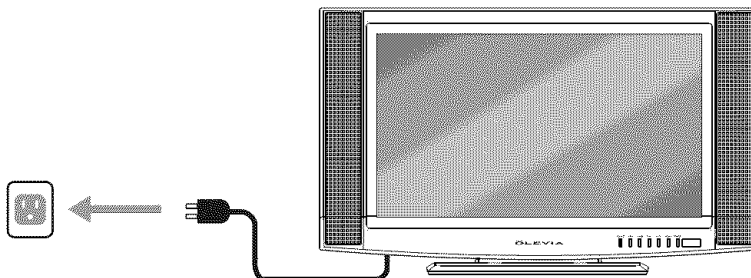
## Connecting the Power Cord

Complete other connections prior to connecting the power cord:

1. Connect the power cord to the AC IN connector of the TV



2. Connect the other end of the power cord to the wall outlet. Turn Power Button switch ON .



# ***TV Installation and Connection Guide***

## ***Installation***

In the following pages, you will find directions on how to install your TV with your choice of video equipment.

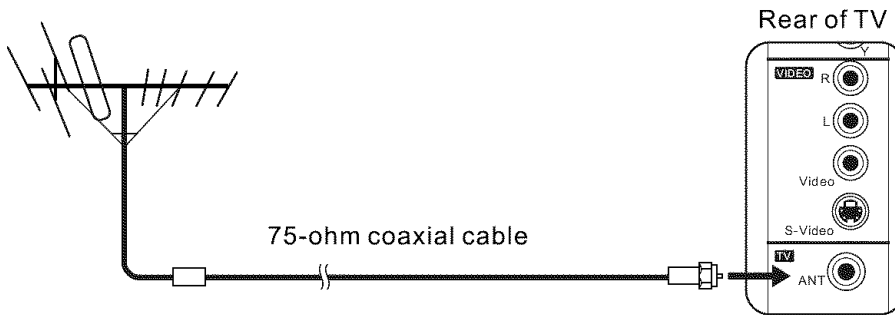
- Connecting to an Antenna or Video Equipment with Antenna outlet
- Connecting to a VCR
- Connecting to a DVD Player with A/V or S-Video Cables
- Connecting to a DVD Player with Component Cables
- Connecting to a Satellite Receiver or Cable Box with A/V Cables
- Connecting to a Satellite Receiver or Cable Box With Component Connectors
- Connecting to a PC with VGA Connector
- Other Connections

# TV Installation and Connection Guide

## Connecting to an Antenna or Video Equipment with Antenna outlet

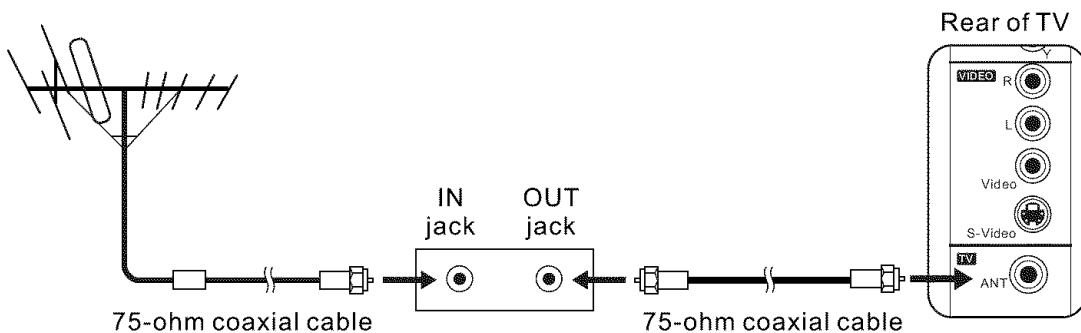
**⚠ Disconnect all power sources before making any connection.**

1. Connect a 75ohm coaxial cable into the ANT input on the back of the TV's right side panel.



## If connecting to Video Equipment with Antenna outlet

1. Using a 75-ohm coaxial cable (or choice of Antenna Cable), connect the cable box's OUT jack to the TV's ANT jack (RF Terminal).



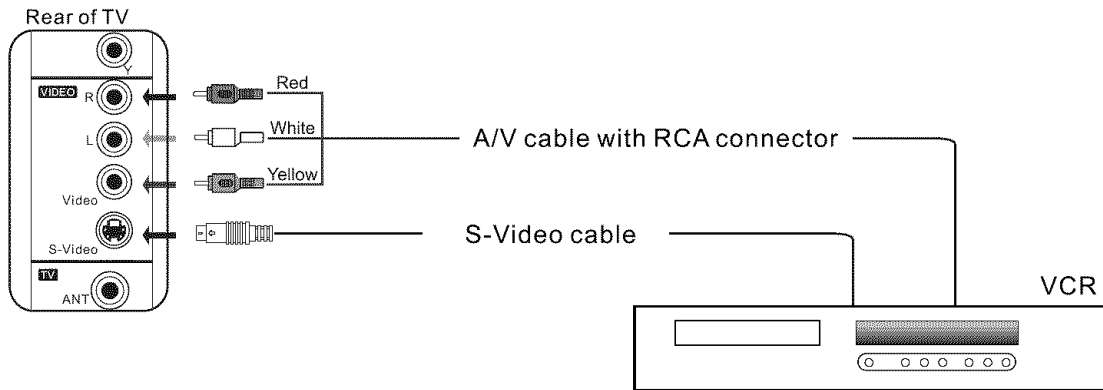


# TV Installation and Connection Guide

## Connecting to a VCR

**⚠ Disconnect all power sources before making any connection.**

1. Using A/V cable and S-Video cables, connect the VCR's Audio and S-Video OUT jacks to the TV's Audio and S-Video IN jacks.



## When Connecting both Video IN and S-Video IN

When you connect video equipment to both the same Video and S-Video input jacks, display will automatically select S-Video first.

To view Video signal, please disconnect the S-Video jack or turn off the S-Video signal on the video equipment.

S-Video is strongly recommended for use if your VCR or video equipment has it. S-Video input has a better quality of picture than a composite Video signal.

**Note:** You can also use the Video 2 jacks located on the TV rear.

# TV Installation and Connection Guide

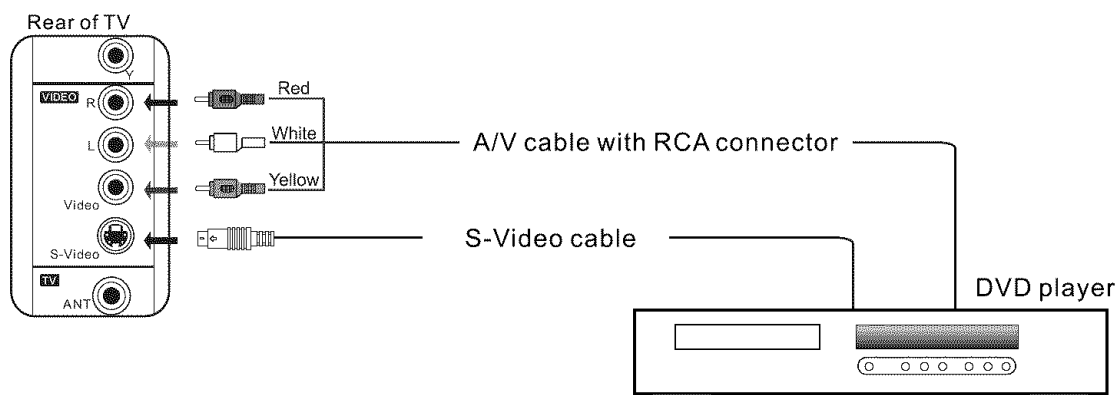
## Connecting to a DVD Player with A/V or S-Video Cables

**⚠** Disconnect all power sources before making any connection.

Use this hookup if your DVD player does not have component (Y, Pb, Pr) jacks.

**Note:** If your DVD player has component video output connectors, for best picture quality, use the connection described for **Connecting to a DVD Player With Component Connectors**.

1. Using an A/V cable, connect the DVD player's Audio OUT jacks to the TV's Audio IN jacks.
2. Using an S-Video Cable, connect the DVD player's S-Video OUT jack to the TV's S-Video IN jack.



**Note:** 1. When you connect Video equipment has it. To both the same Video and S-Video input jacks, the display will automatically select S-Video first.

2. To view Video signal, please disconnect the S-Video jack or turn off the Video signal on the video equipment.

3. S-Video is strongly recommended for use if your VCR or video equipment has it S-Video input has better quality of picture than a composite Video signal.

# TV Installation and Connection Guide

## Connecting to a DVD Player with Component Cables

**⚠ Disconnect all power sources before making any connection.**

Use this hookup if your DVD Player has component (Y, Pb, Pr) jacks.

1. Using a component video cable, connect the DVD Player's Y, Pb and Pr jacks to the Y, Pb and Pr jacks on the TV.

### Colors on Component Video connectors:

**Y:** Green

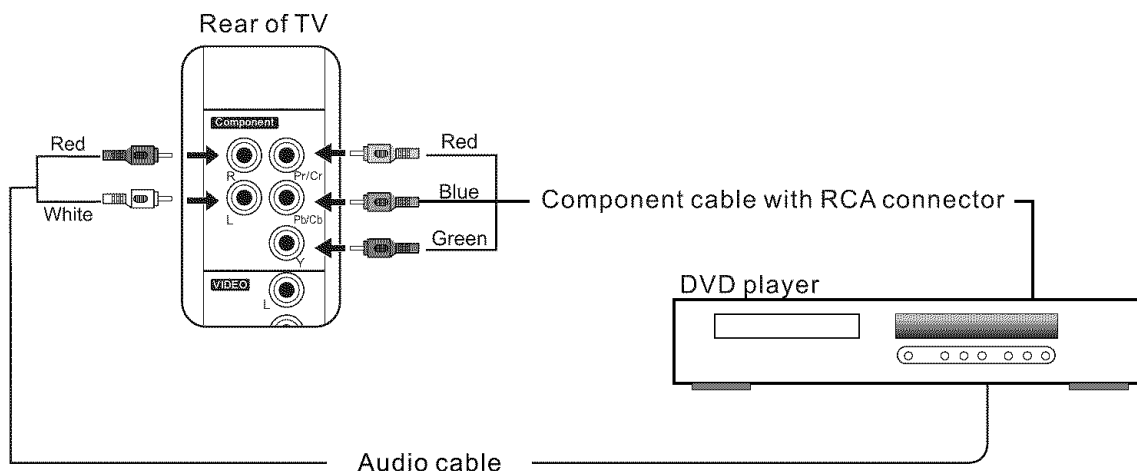
**Pb** (also identified as Cb, CB or B-Y): Blue

**Pr** (also identified as Cr, CR or R-Y): Red

**Note:** The Y, Pb and Pr jacks on your DVD player are sometimes labeled as Y, Cb and Cr, or B-Y and R-Y.

If so, connect the cables to the matching colors.

2. Using an Audio cable, connect the DVD player's Audio OUT jacks to the TV's Audio IN jacks.



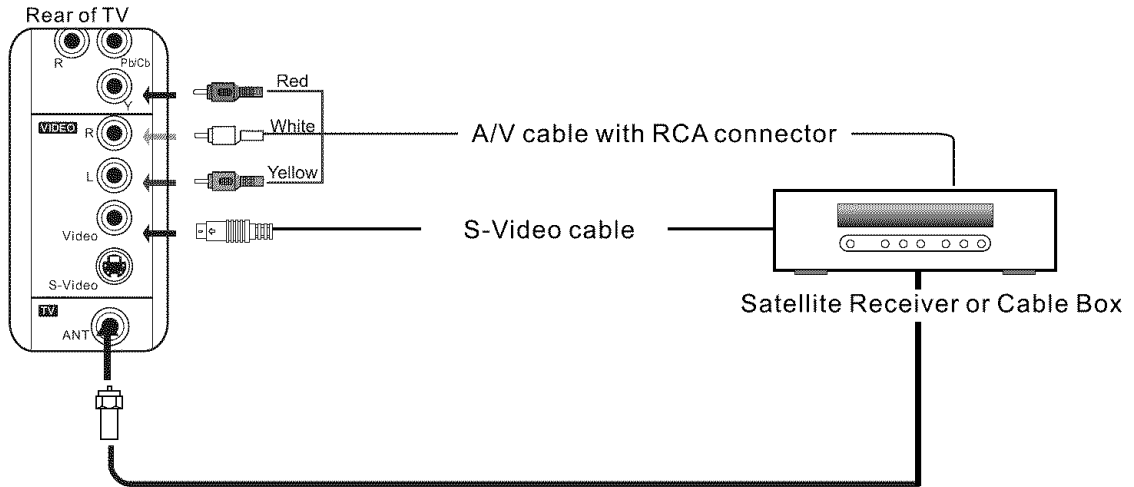
**Note:** The Y, Pb and Pr jacks do not provide audio, so audio cables must be connected to provide sound. The Y Pb Pr connection provides the best quality of video signal compared to AV (Composite) and S-Video connection.

# TV Installation and Connection Guide

## Connecting to a Satellite Receiver or Cable Box with A/V Cables

**⚠ Disconnect all power sources before making any connection.**

1. Using Audio and S-Video cables, connect the satellite receiver's Audio and S-Video OUT jacks to the TV Audio and S-Video IN jacks.
2. Connect a 75-ohm coaxial cable from your cable or antenna to the TV ANT (Antenna) jack.



**Note:** When you connect video equipment to both the same Video and S-Video input jacks, display will automatically select S Video first.  
To view S-Video signal, please disconnect Video jack or turn off the Video signal on the video equipment.

S-Video is strongly recommended for use if your VCR or video equipment has it.  
S-Video input has better quality of picture than a composite Video signal.

# TV Installation and Connection Guide

## Connecting to a Satellite Receiver or Cable Box With Component Connectors

**⚠ Disconnect all power sources before making any connection.**

Use this hookup if your Satellite Receiver or Cable Box has component (Y, Pb, Pr) jacks.

1. Using a component video cable, connect the Satellite Receiver or Cable Boxes' Y, Pb and Pr jacks to the Y, Pb and Pr jacks on the TV.

### Colors on Component Video connectors:

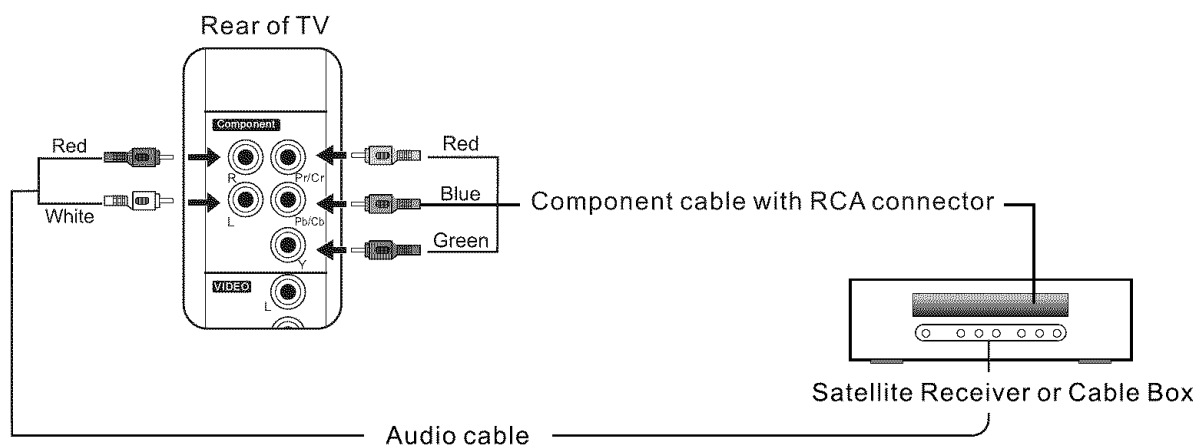
**Y:** Green

**Pb** (also identified as Cb, CB or B-Y): Blue

**Pr** (also identified as Cr, CR or R-Y): Red

**Note:** The Y, Pb and Pr jacks on your Satellite Receiver or Cable Box are sometimes labelled as Y, Cb and Cr, or B-Y and R-Y. If so, connect the cables to the matching colors.

2. Using an Audio cable, connect the Satellite Receiver or Cable Boxes' Audio OUT jacks to the TV's Audio IN jacks.



**Note:** The Y, Pb and Pr jacks do not provide audio, so audio cables must be connected to provide sound.

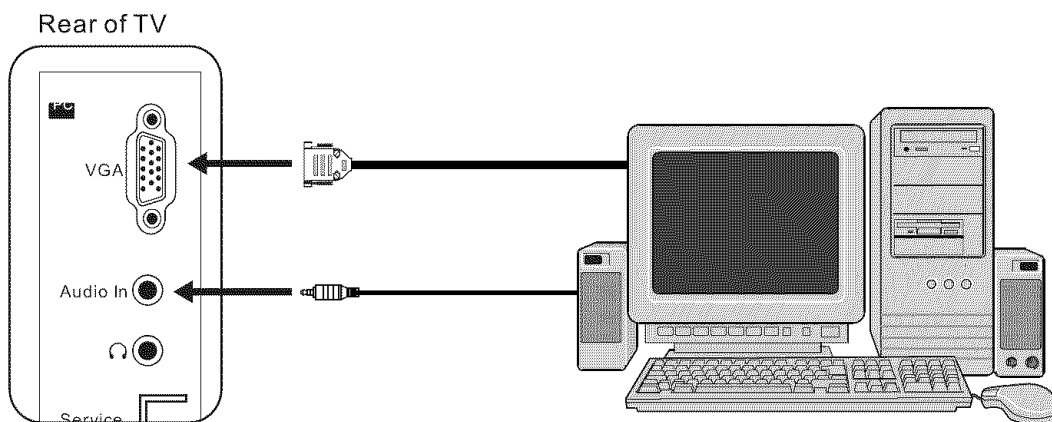
The Y Pb Pr connection provides the best quality of video signal compared to AV (composite) and S-Video connection.

# TV Installation and Connection Guide

## Connecting to a PC with VGA Connector

**⚠ Disconnect all power sources before making any connections.**

1. Using a D-Sub 15 pin cable, connect the VGA output terminal of the PC to the TV's VGA signal input terminal.
2. You may need to use a Stereo mini jack to Stereo mini jack connector to receive audio.

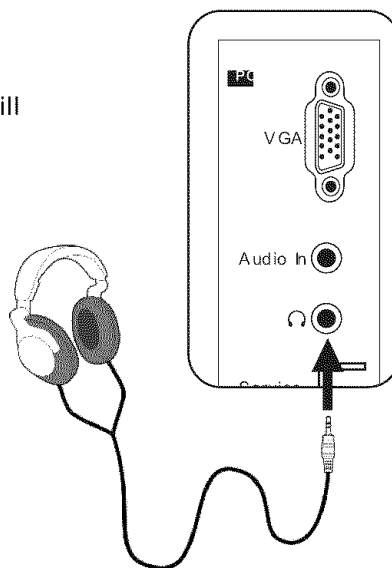


## Other Connections

**⚠ Disconnect all power sources before making any connection.**

### Headphone Set

**Note:** When headphone is plugged in the speakers will turn into mute mode.

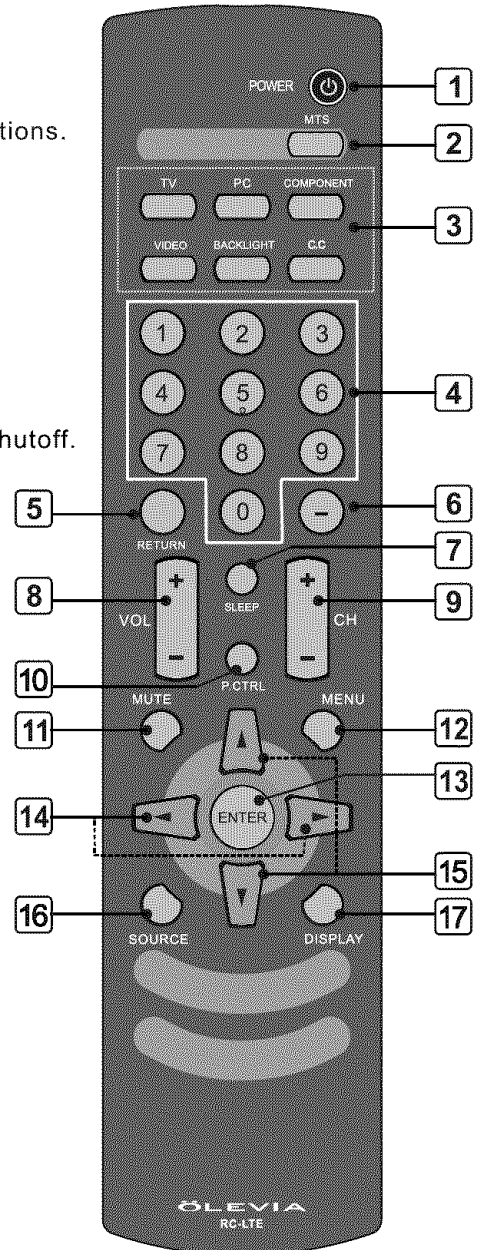


# Remote Control Guide

## Remote Function Keys & Description

### Regular Buttons

- 1 POWER** Press to turn display on/off.
- 2 MTS** Press to select from SAP, Mono or Stereo mode.
- 3 Hotkeys** Press to directly access certain TV shortcut functions.
- 4 NUMBER BUTTONS** Press the number buttons to select channels on the display.
- 5 RETURN** Press to return the to previous channel.
- 6** — Press to select sub-channel
- 7 SLEEP** Press to choose preset time interval for automatic shutoff.
- 8 VOL + / VOL –** Press to adjust the volume.
- 9 CH+ / CH–** Press to adjust channel up and channel down.
- 10 P.CTRL** Press to access Parental Control password and/ or program parental locks.
- 11 MUTE** Press to mute the sound.
- 12 MENU** Press to activate or close the On Screen Display menu. In OSD Menu, acts as a cancel button while navigating through the OSD.
- 13 ENTER** Press to quickly enter the channel number, highlighted menu or submenu item.
- 14 ◀ / ▶ buttons (Direction Buttons)** Press to navigate in OSD
- 15 ▲ / ▼ buttons (Direction Buttons)** Press to move highlighted selection in OSD
- 16 SOURCE** Press to show the source input from TV, Video 1, Video 2 or Component , VGA.
- 17 DISPLAY** Press to display the information of current channel number and time.



# Remote Control Guide

## Remote Function Keys & Description

### Hot Keys Tutorial

The remote control contains 8 additional Hotkeys . Hot keys enable you to directly change the setting to your preference without having to navigate through the OSD (On Screen Display) Menu.

### How to use your Hot Keys

#### HOT KEY FUNCTION

##### TV

Press to switch between TV and DTV Mode (optional function currently unavailable)

##### PC

Press to switch to VGA Mode.

##### COMPONENT

Press to switch to Component source.

##### VIDEO

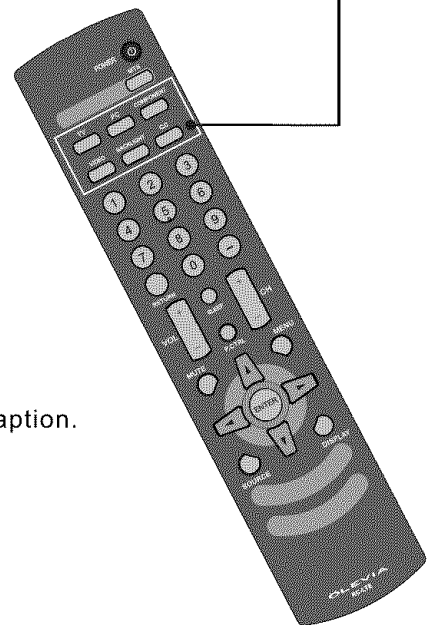
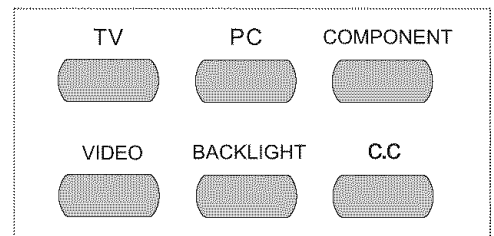
Press to switch between Video 1 and Video 2 sources .

##### BACKLIGHT

Press to view the screen at different levels of lighting at: Bright, Normal and Soft

##### C.C.

Press to call up the Close Caption (CC) and Caption Service (CS) list. You can pre-select one to see Closed Caption.



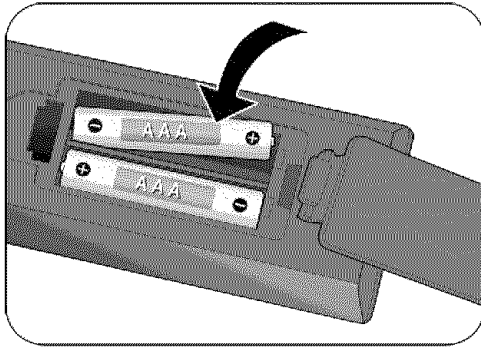


# Remote Control Guide

## Remote Function Keys & Description

### Battery Installation

1. Push the tab and pull it out as illustrated below.
2. Insert two size AAA batteries (supplied) by matching the (+) and (-) on the batteries to the diagram inside the remote control's battery department.
3. Replace the cover back and make sure the cover "snaps" into the remote control.



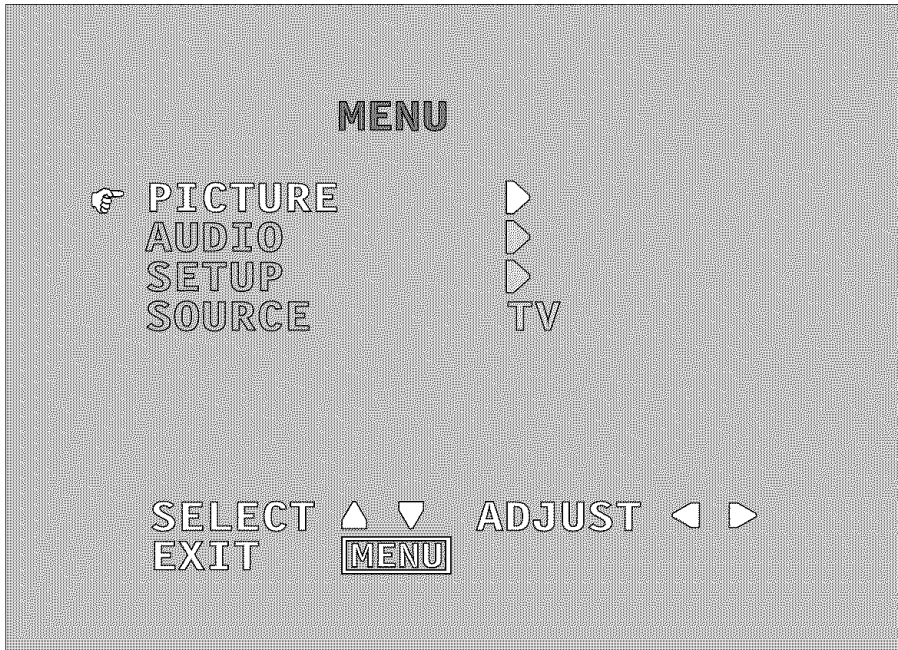
#### Note:

1. The display unit comes with two new AAA batteries as accessories. However, due to uncontrollable causes, the electricity of the accessorized batteries may be partially or completely drained. We do not warrant the quality of the batteries in any case since many factors are considered. If replacement is needed, please purchase two AAA batteries.
2. Handle remote with care. Avoid dropping it, placing in direct sunlight, near a heater, high areas of humidity or getting it wet. If the remote gets wet, please wipe it dry immediately. In the event of the remote not working properly or is in operational, a replacement of remote control may be required.
3. If you do not use the remote control for a long period of time, please remove the batteries and store in a cool place to preserve battery life.
4. Do not mix new and used or with different types of batteries for operation.

# Adjusting On Screen Displays (OSD)

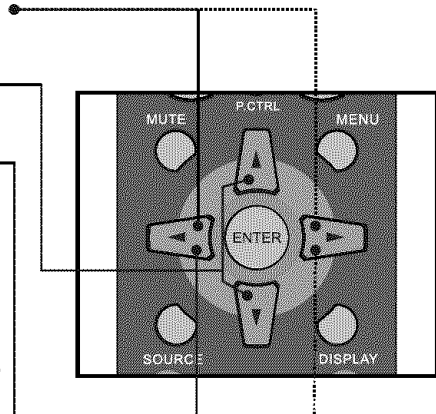
## Introduction

After you have finished connecting your TV, you are now ready to choose and personalize you TV settings in the OSD (On Screen Display) menu.



## To Operate in the OSD

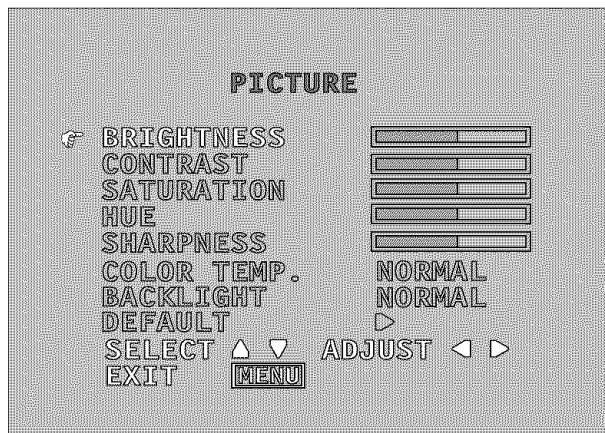
1. Press "**Menu**" button to enter OSD menu mode.
2. To enter each main OSD function, use the keys ◀ and ▶
3. To select the function, press the keys ▲ and ▼
4. To adjust the value bar, use the keys ◀ and ▶
5. After choosing your setting, press "**Menu**" to exit and go back to the last picture.
6. To exit the OSD menu, press "**Menu**" until you exit the OSD menu, or without action for 12 seconds of inactivity. This is also adjustable in the OSD.



# Adjusting On Screen Displays (OSD)

## Picture: Adjusting Picture Quality

In this Setup Index, you can adjust picture settings to suit your personal preferences.



## Picture Settings

Item	Adjustment	Function
BRIGHTNESS CONTRAST BACKLIGHT	Soft / Normal / Bright	Adjusts picture brightness contrast Adjusts picture color contrast Adjusts darkness or lightness of the screen
COLOR TEMP	Cool / Normal / Warm	Adjusts image color intensity. <b>Warm:</b> More red-tinted colors <b>Normal:</b> Standard color temperature <b>Cool:</b> More blue-tinted colors
SATURATION HUE SHARPNESS		Adjusts the color intensity Adjusts skin color to a natural tone. Adjusts the picture sharpness or softness
DEFAULT		Changes OSD Settings back to original factory default settings

## To Reset Factory Settings

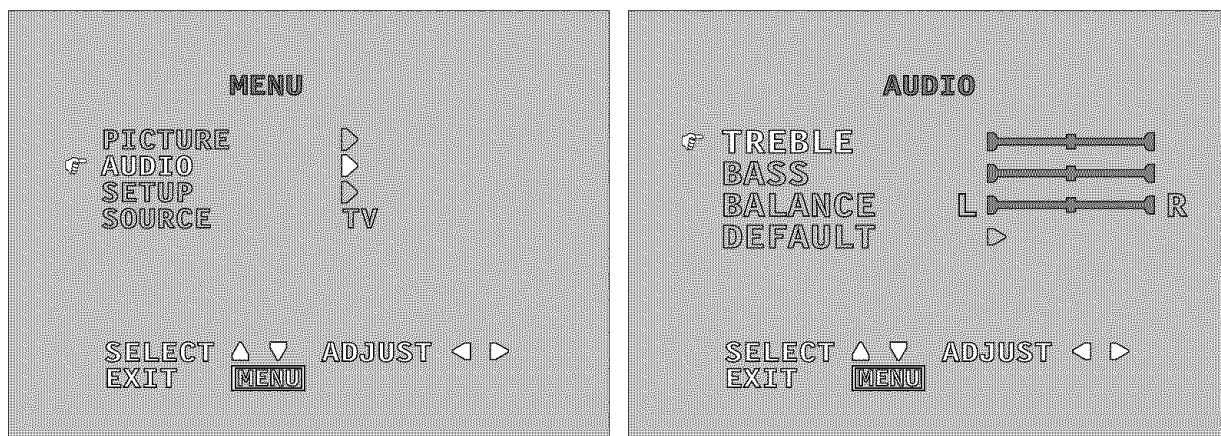
If, at any time, you wish to go back to original factory setting, you may do so by choosing the Default setting in the OSD Picture and Audio Sections.

Selecting "Default," will reset all OSD settings to the original manufacture settings. The only items which will remain unaffected, are:

- **Auto Scan Channels**
- **Edited Channels**
- **Parental Control Password**

# Adjusting On Screen Displays (OSD)

## Audio: Adjusting Sound Quality



There are three adjustments to the OSD Audio Function. You can adjust these individually to your personal preference.

## Audio Settings

Item	Function
TREBLE	Adjusts higher pitched sounds
BASS	Adjusts lower pitched sounds
BALANCE	Adjusts volume balance in Left and Right
DEFAULT	Changes OSD Settings back to original factory default settings

## Selecting Stereo or Bilingual Programs

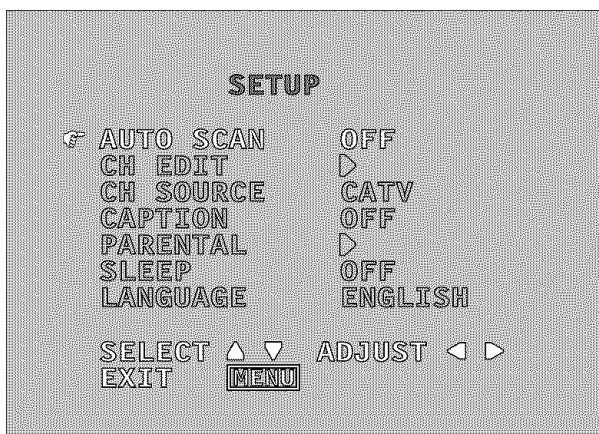
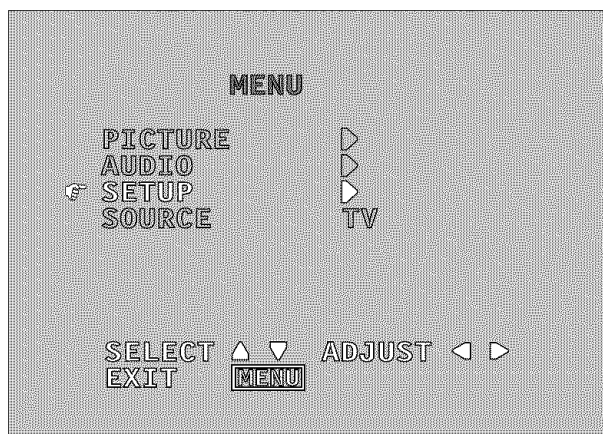
You can enjoy stereo, bilingual and mono programs under the TV Source.

Press the hotkey "MTS" until the desired sound indication appears. Each time you press the button, the sound indication changes as follows: **Mono, SAP, Stereo\***

Sound Effect	Description
STEREO	Select for stereo reception when viewing a program broadcast in stereo
SAP	Select to automatically switch the TV to Secondary Analog Program when a signal is received. (If no SAP signal is present, the TV remains in Stereo Mode)
MONO	Select for mono reception. (Use to reduce noise during weak stereo broadcasts)

# Adjusting On Screen Displays (OSD)

## Setup: Adjusting Personal TV Settings



In this Section, you can edit the setting of channels adjustment and selections that include: display "time" and "language", "caption" option, and "parental control".

### Description of Settings

Item	Adjustment	Function
Auto scan		Selects to auto scan the available channels of the TV or CATV.
CH EDIT (Channel Edit)	Add / Delete	Sets up available channels. <b>Add</b> : To add available channel. <b>Skip</b> : To cancel available channel
CH SOURCE (Channel Source)	CATV / TV	Chooses the source from ANT.
CAPTION (Closed Caption)	CC1 / CC2 / CC3 / CC4 Text1 / Text2 / Text3 / Text4 / OFF	Switches different types of caption or cancel caption functions.
PARENTAL (Parental Control)	MPAA G / PG-13 / R / NC-17 / X TV GUIDELINE TV-Y / TV-Y7 / TV-G / TV-PG / TV-14 / TV-MA TV CONNECT(D / L / S / V / FV) PASSWORD PARENTAL DISABLE / ENABLE	Sets up the parental locks  Enable / Disable
Sleep	OFF / 30 min / 60min / 90 min / 120 min	Sets a preset time interval for automatic shutoff.
Language	English / Francais / Espanol	Switches the OSD language

# Adjusting On Screen Displays (OSD)

## Setup: Adjusting Personal TV Settings

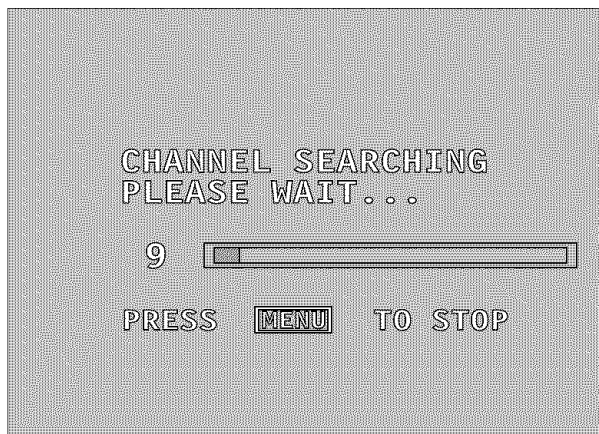
### Setting the Channels

After you finish connecting your TV, you can run Auto Scan program to setup your channels. The program will scan and preset all receivable channels automatically.

#### To Cancel Auto Program

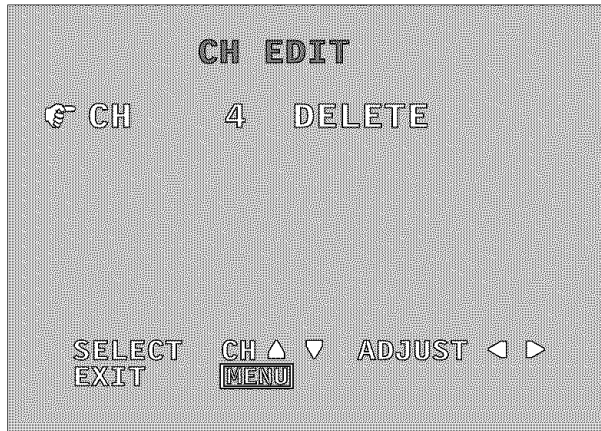
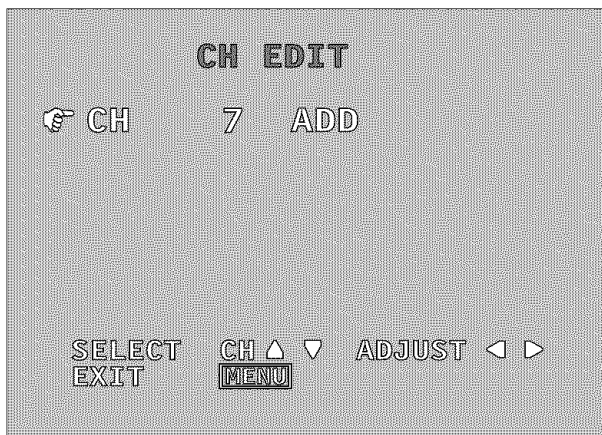
Exit Auto Scan program by pressing "MENU" Key.

**Note:** The Auto Scan is set to scan cable TV channels by default. You cannot receive and set the cable TV channels VHF/ UHF channels at the same time.



### Editing Channels

You can also edit channels to your personal preference. Once you edit a channel, it will be skipped when surfing through TV channels.



### To Add or Skip a Channel:

1. To Change the Channel Number, use the ▲ and ▼ keys
2. To specify Add or Skip function, use the ▶ key
3. When completed, press Menu to exit and back to Setup OSD Page

# Adjusting On Screen Displays (OSD)

## Setup: Adjusting Personal TV Settings

### Channel Source

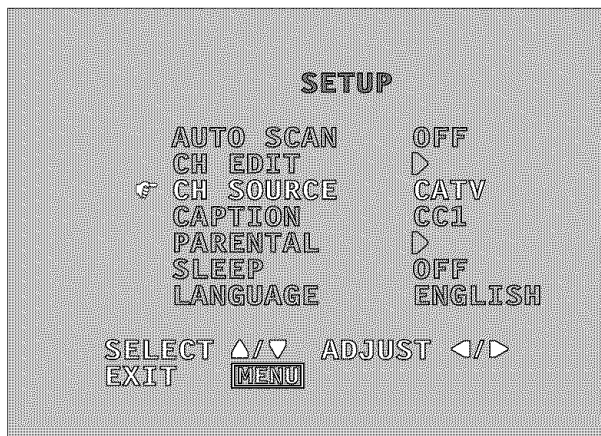
Please choose between TV or CATV Source by using the ► key.

### Watching with Closed Caption

You can display closed captioning if the broadcaster offers this service.

Close Caption option can be set On/Off from the OSD page. This function also can be accessed by pressing "C.C" hotkey on the remote control.

You have the option of choosing from: OFF, CC1, CC2, CC3, CC4, Text1, Text2, Text3, Text4



1. Not all programs offer the Closed Caption option.
2. Closed Caption may not be seen clearly (white blocks, strange characters, etc.) if the signal condition is poor, or if there are technical difficulties with the broadcaster.
3. If no TEXT broadcast is being received while viewing in the [TEXT] mode, the screen may become dark and blank for some programs.
4. Switch Off to close the Closed Caption mode.

### Using the Parental Control Feature

To block programs you feel unsuitable for your children, you need to set the TV for desired rating systems. The TV Parental Control feature functions by receiving the rating signal from your local broadcasting station or cable service provider.

The TV programs and movies shown on TV are given a rating signal based on the following rating systems.

In U.S.A.: U.S. Television Parental Guidelines to rate television programs (U.S. TV Ratings) and Motion Picture Association of America (MPAA) Guidelines to rate movies including those shown on TV (Movie ratings).

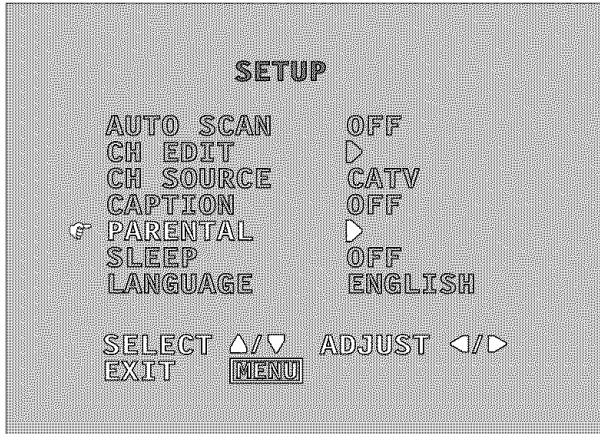
In Canada: Canadian English Language ratings to rate television programs in English, and Canadian French Language ratings to rate those in French.

# Adjusting On Screen Displays (OSD)

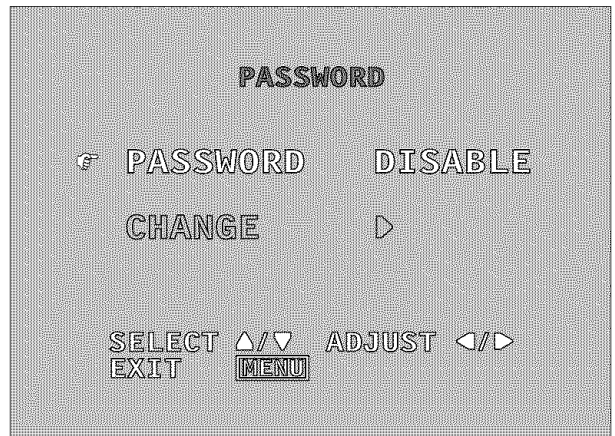
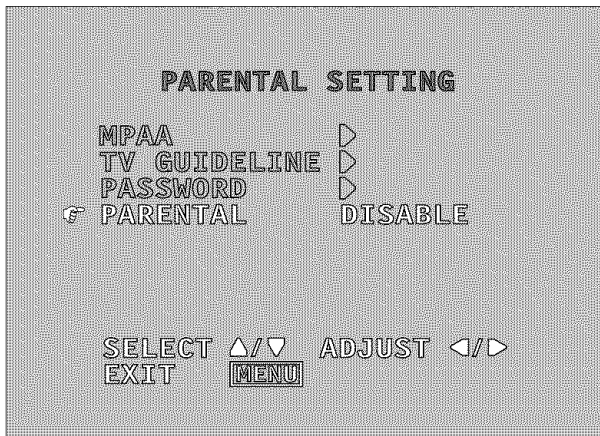
## Setup: Adjusting Personal TV Settings

### Activating the Parental Control Feature

1. Press the ► key to enter Parental Control Setup Page. This function can also be directly accessed through pressing the P.CONTROL hotkey on the remote control.



2. Initially, you will be taken to this page. To turn **ON** Parental Control Functionality, change from Disable to Enable.

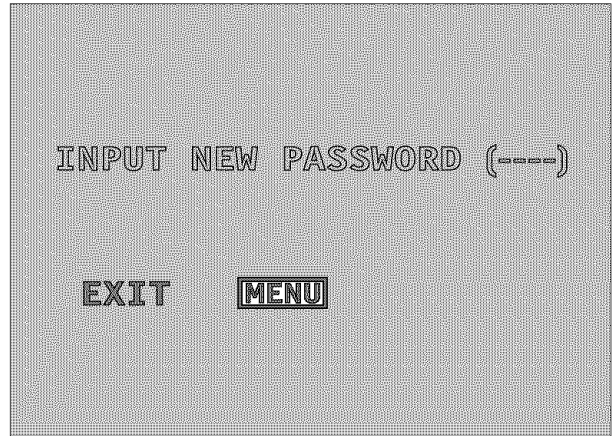
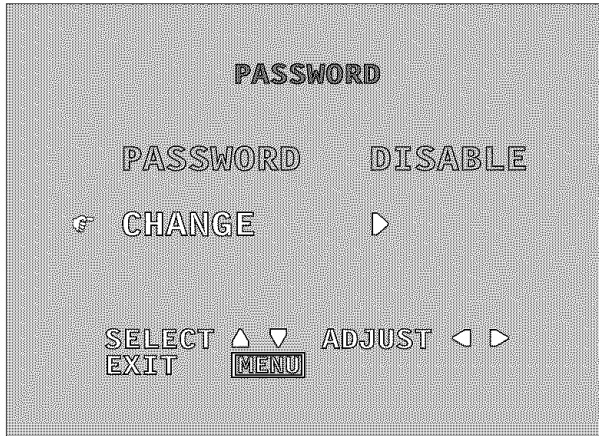




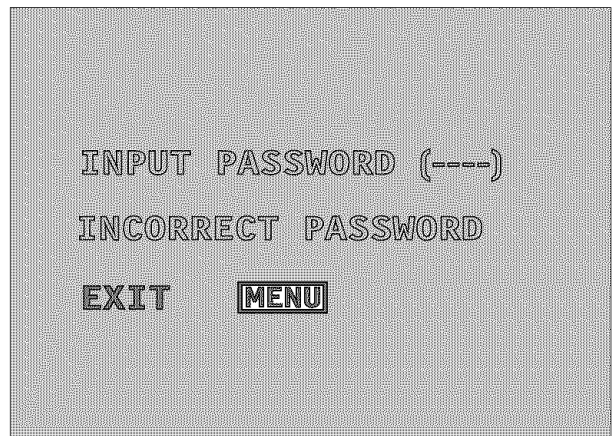
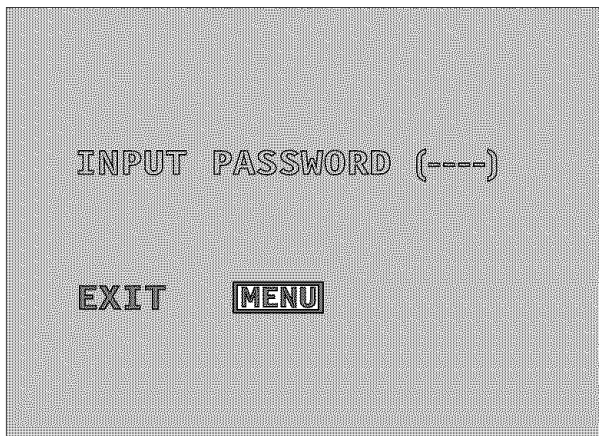
# Adjusting On Screen Displays (OSD)

## Setup: Adjusting Personal TV Settings

3. Press the ► and input a 4 digit Password. Confirm again.



4. If you enter the incorrect password, you will see Incorrect Password on the screen. Press Menu to exit and begin again.



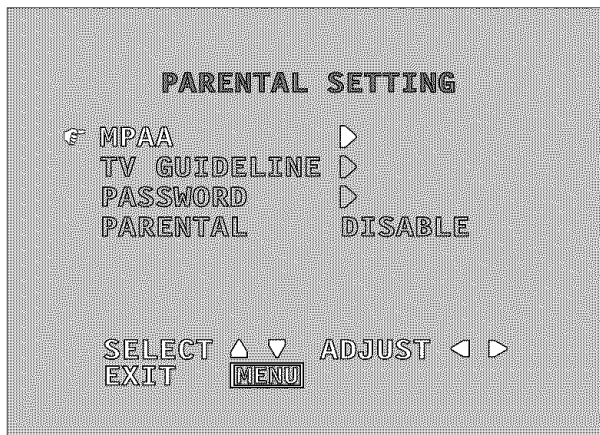
# Adjusting On Screen Displays (OSD)

## Setup: Adjusting Personal TV Settings

5. To set Parental Guidelines, choose Block settings in MPAA and TV Guideline sub-pages.

6. To turn **OFF** Parental Control Functionality, change from Enable to Disable .

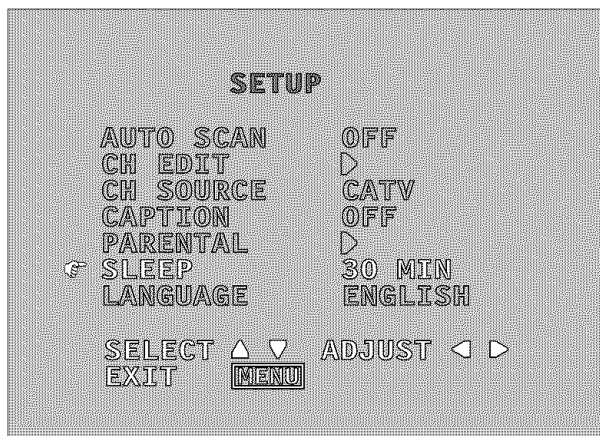
**Note:** If you forget the password, press "9999" to lift the lock and enter Parental Control Setup Page.



## Sleep: Turning off the TV Automatically

You can set the TV to turn off automatically after a predetermined period of time (30, 60, 90, or 120 minutes). This is also available through hotkey "SLEEP".

Press SLEEP repeated until the desired period of time appears. Each time you press the button, you will see the options appear on the screen.



**Note:** If you turn the TV off, and then turn it on again, the Sleep timer automatically returns to "Off". "The clock timer" appears one minute before the TV shuts off.

This message may not appear if you perform any operation with the menu opened.

## Choosing a Language

You have the option of viewing the OSD languages in English, Spanish and French.


# Adjusting On Screen Displays (OSD)

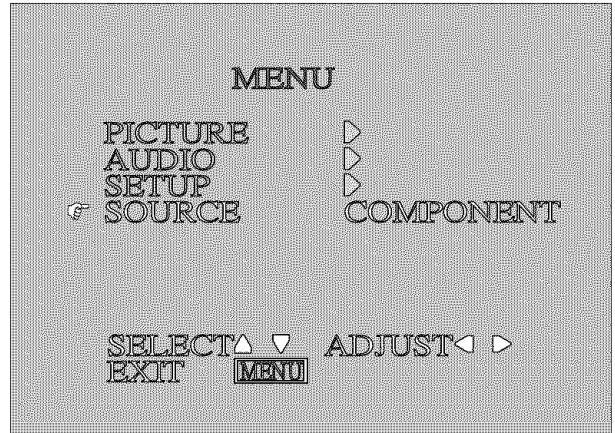
## Source: Adjust TV Input Source

You can choose the Input Source of your TV to best display the picture based on your TV connection settings.

Available Input sources: TV, Video1, Video2, Component , PC

There are two ways to choose the Input Source.

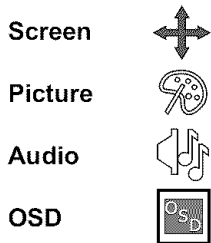
1. Choose SOURCE function on the OSD Menu, and press the  key to switch between sources
2. Press the SOURCE hotkey on the remote control. You can view each source per screen view as noted on the top upper right hand corner.
3. Direct source screen may also be directly accessed through the TV, PC (VGA Mode), VIDEO and COMPONENT hotkeys on the remote control.


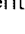



## Adjust TV Source under PC (VGA) MODE

Under the PC (VGA) Source mode, there will be different options for the OSD Settings.

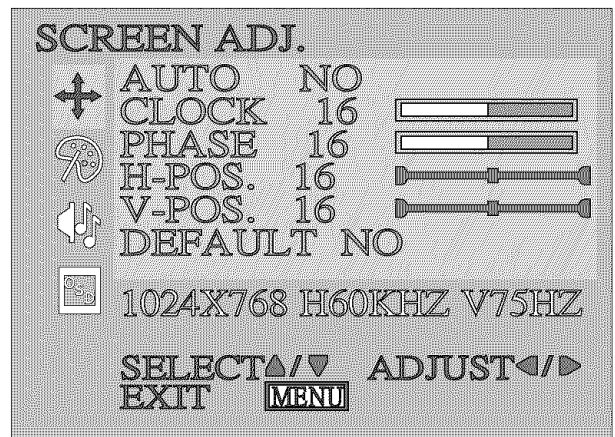
There are four TV Setting to choose from, under the PC Source Mode: Screen, Picture, Audio and OSD Settings.



To view each setting, use the  and  keys. To make adjustments press the  key.

### Screen Adjustment

You can adjust the screen display settings to suit your personal preferences.



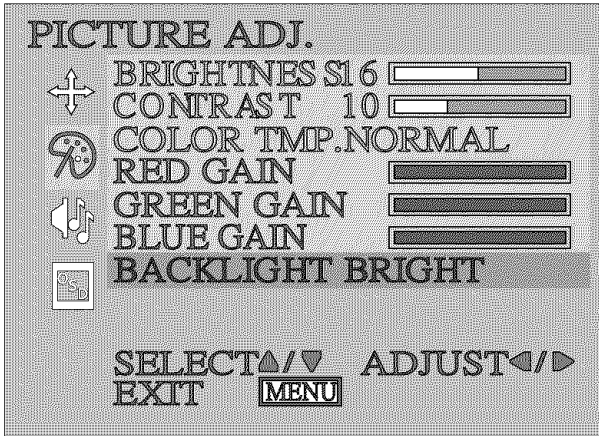
Item	Adjustment	Function
AUTO	YES / NO	Adjust the image to its best position and automatically displays on the screen
CLOCK	0-31	Adjust the pixel clock
PHASE	0-31	Adjust phase
H-POS	0-31	Adjust horizontal display position
V-POS	0-31	Adjust vertical display position
DEFAULT	YES / NO	Adjust to original factory default settings

# Adjusting On Screen Displays (OSD)

## Choosing TV Input Source

### Picture Adjustment

You can adjust picture display settings to suit your personal preferences.



Item	Adjustment	Function
BACKLIGHT	SOFT/NORMAL/BRIGHT	Adjusts darkness or lightness of the screen
CONTRAST	0-31	Adjusts picture color contrast
BRIGHTNESS	0-31	Adjusts picture brightness contrast
COLOR TMP.	COOL/NORMAL/WARM/USER	Adjusts image color intensity <b>Warm:</b> More red-tinted colors <b>Normal:</b> Standard color temperature <b>Cool:</b> More blue-tinted colors

**Note:** Color Temp must be under "USER" in order to manually adjust Red/Green/Blue gain.

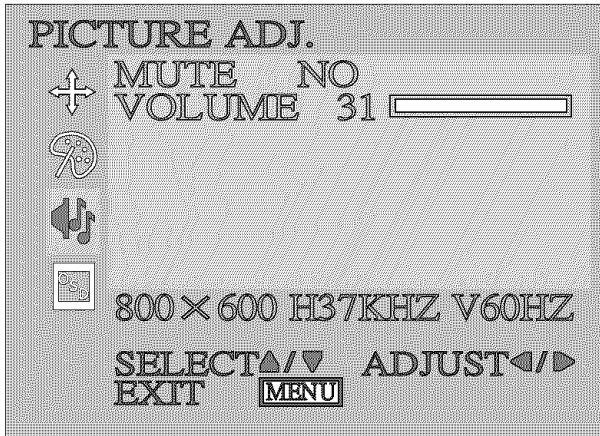
The automatic display of the VGA image resolution, horizontal and vertical frequency will remain flashing intermittently.

# Adjusting On Screen Displays (OSD)

## Choosing TV Input Source

### Audio Adjustment

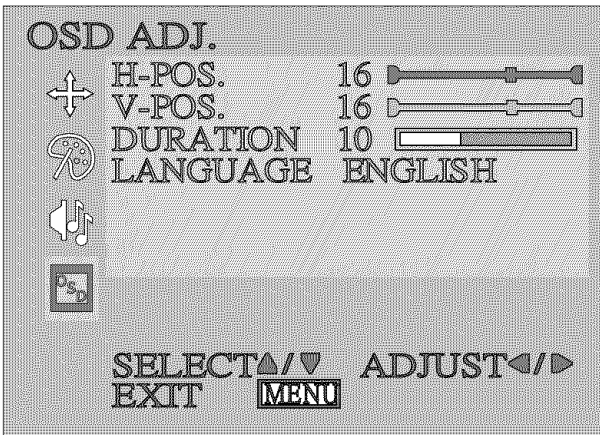
You can adjust audio settings to suit your personal preferences



**Note:** The automatic display of the VGA image resolution, horizontal and vertical frequency will remain flashing intermittently.

Item	Adjustment	Function
MUTE	ON / OFF	Press to mute the sound
VOLUME	0-31	Press to adjust volume

### OSD Adjustment



**Note:** The automatic display of the VGA image resolution, horizontal and vertical frequency will remain flashing intermittently.

Item	Adjustment	Function
H-POS	0-31	Adjust screen horizontal position
V-POS	0-31	Adjust screen vertical position
DURATION	3-31	Adjust the time of OSD menu display on the screen
LANGUAGE		English / Spanish / French

To Exit PC (VGA Mode) Source OSD Menu, press the **Menu** button.

# Troubleshooting

If you are still experiencing some difficulties with the TV Setup, please refer to the following suggested solutions for common problems and symptoms.

<b>Problem</b>	<b>Possible Solution</b>
Power On failed	Power plug is not securely inserted into the socket.
No picture or sound	<ol style="list-style-type: none"><li>1. Check LCD TV power status.</li><li>2. Check if the terminal is properly connected and the input mode has a right connection.</li><li>3. Check if the cable is well connected between the video source and the TV.</li></ol>
Full of spots or noise on the screen	Check if any interference from automobiles, trains, high-voltage transmission lines, neon signs or other potential sources of interference.
Poor color display	Check OSD and adjust in "Picture" function.
Image distortion	Check aspect ratio in "Screen" function.
The image is blue	Check the setting of source in the TV and set it in the right type.
The image is too bright, and the image is saturated in the brightest areas.	<ol style="list-style-type: none"><li>1. Check if the contrast setting is too high.</li><li>2. The DVD player is set for a high-level output.</li></ol>
The screen shows searching for signal but no image.	<ol style="list-style-type: none"><li>1. Check if the signal cable is disconnected.</li><li>2. Check if the terminal is properly connected and the input mode has a right connection.</li></ol>
Out of range	Check if input signal is suitable to the display.
Remote control does not work	<ol style="list-style-type: none"><li>1. Check if the batteries are properly installed.</li><li>2. Check if the batteries are out of power.</li><li>3. Check both distance and angle from the TV's infrared (IR receiver) to remote control.</li><li>4. Check if any object is in between remote control and IR receiver.</li><li>5. Check if the IR is under strong fluorescent lighting.</li></ol>
Stripes on the screen	Any antenna from a radio or cell phone may cause interference. Keep display away from these types of devices.

# Specifications

## TFT LCD Panel

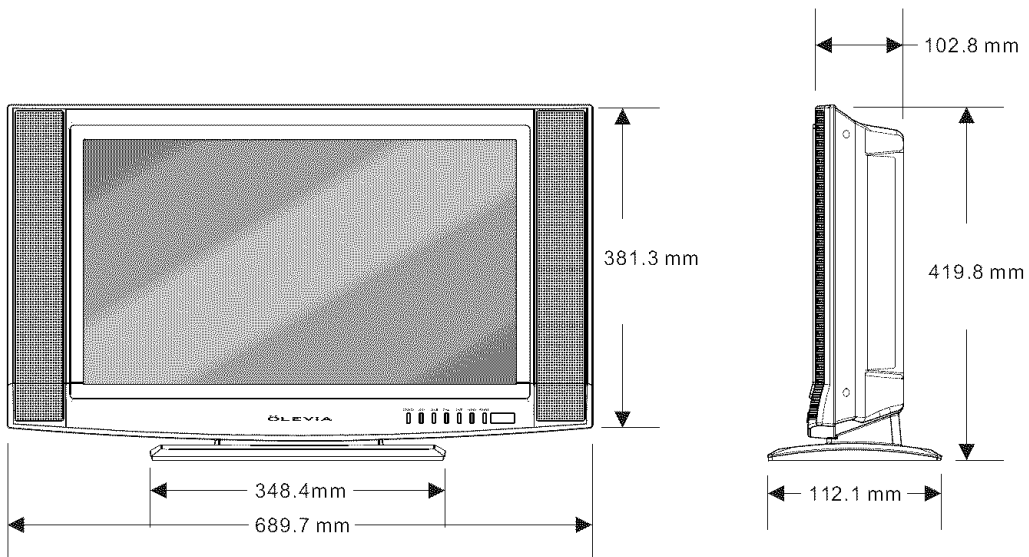
<b>LCD Panel</b>	
Screen Size	Samsung 23"
Aspect Ratio	16:9
Resolution	1366X768
Display Area	508.125mm(H) X 285.696mm(V)
Pixel Pitch	0.372mm(H) X 0.372mm(W)
Display Color	16.7M Colors
Dynamic Contrast ratio	1600:1
View Angle(CR>=10)	178° Hor./ 178° Vert.
Response Time(Gray to Gray)	8ms
Color Temperature	10000°K
<b>VGA</b>	
VGA Resolution	Support 640x480, 800x600 , 1024x768 & 1280x1024
VGA Input	D-sub 15 pin(3row type) / 3.5mm audio stereo mini phone jack
Vertical Frequency	56Hz ~ 70Hz
Horizontal Frequency	31kHz ~ 80kHz
<b>TV</b>	
TV System	NTSC M
	NTSC : RF Input, type F connector
	MTS, V-Chip & Close Caption.(Optional)
TV Channels	Air and Cable TV
<b>Video / Audio</b>	
Video Input Format	NTSC-M / PAL / SECAM
Video Input	Component : (Y Pb/Cb Pr/Cr 480i / 576i / 480p / 576p)
Audio Input	R/Lx2,(CVB, S-Video)x1, Componentx1, PCx1
Audio Output	Speaker R / Lx1(5Wx2),bass, treble, Balance.
Earphone	Build-in,Stereo
<b>Others</b>	
Special Features	Wall mount option.
OSD	English, Spanish, French
IR Remote Control	Included
Power Source	90-240V a.c. 50/60Hz,
Power Consumption	130W
Dimension (wxhxd)	27.15"x15.53"x4.20"(w/o stand), 27.15"x16.53"x8.36"(w/stand)
Mounting Interface	VESA 100
Weight	15.44 lbs
Safety / EMI	UL / CUL / CSA / FCC-B / Energy Star
Accessories	Remote Controlx1, AC power cordx1, User's Manualx1, Quick start guidex1, Batteryx2

\* **NOTE** : Product Specification is Subject to Change without Notice.

# Timing Mode for VGA

Source	Resolution	Vertical Frequency(Hz)	Note
VGA	640x480	60	VESA
	720x400	70	VESA
	800x600	56	VESA
	800x600	60	VESA
	1024x768	60	VESA
	1024x768	70	VESA
	1280x768	60	VESA
	1280x960	60	VESA
	1280x1024	60	VESA

## Dimensional drawing





## **Syntax's D.O.A. Policy for LCD TVs for Defective Pixels on LCD Panels**

(Applicable to the LCD TV sold within USA & Canada only)

Syntax™ LCD TVs are evaluated at a distance of approximately 50 centimeters (approximately 20 inches) between the LCD panel and the eyes of the user at a 90 degrees viewing angle. All LCD panels have been tested to ensure they comply with our factory standards. Our evaluation is based on the number of defective pixels and the distance between any two defective pixels. Bright dots are dots that appear bright and unchanged in size when a LCD TV screen displays under a black pattern; dark dots are dots that appear dark and unchanged in size when a LCD TV screen is displayed under pure red, green, or blue patterns ( defective pixels ). Adjacent dots are dots located directly next to each other.

Customers are required to check their LCD panel immediately after purchase. To identify defective pixels, the LCD panel should be examined under normal operating conditions as mentioned above, preferably in its native display resolution, and with a 90 degrees viewing angle.

A LCD TV will be considered dead on arrival (D.O.A.) with regards to defective pixels on the LCD panel when any one of the following criteria is met:

- A total of 7 defective pixels including both bright dots and dark dots are present (the typical 30 LCD Television screen has 16.7 million pixels), or
- 2 or more pairs of adjacent bright dots are present, or
- 3 adjacent bright dots are present, or
- 3 adjacent dark dots are present.

In view of customers' concerns about dead pixels, Syntax would like to address that defective pixels are not ultimately avoidable with the current LCD industry standard panel manufacturing processes. We always strive to improve our technology and minimize the chance of occurrence of defective pixels by applying strict screening processes in our factory production processes. However, Syntax cannot guarantee that a return unit to our customers will be 100% free of defective pixels.

For questions, please call our toll free service number in the USA at 888-SYNTAX-8.

**" At Syntax Groups, a satisfied customer is our most important focus. "**