

125 Duke

Art. no. 3213561 en



KTM

DEAR KTM CUSTOMER

Congratulations on your decision to purchase a KTM motorcycle. You are now the owner of a state-of-the-art sports motorcycle that will give you enormous pleasure if you service and maintain it properly.

We hope you enjoy your new vehicle!

Enter the serial numbers of your vehicle below.

Chassis number (📖 p. 20)	Dealer's stamp
Engine number (📖 p. 21)	
Key number (📖 p. 21)	

The Owner's Manual contained the latest information for this model series at the time of going to print. However, minor differences due to further developments in design cannot be ruled out completely.

All specifications are non-binding. KTM Sportmotorcycle GmbH specifically reserves the right to modify or delete technical specifications, prices, colors, forms, materials, services, designs, equipment, etc., without prior notice and without specifying reasons, to adapt these to local conditions, as well as to stop production of a particular model without prior notice. KTM accepts no liability for delivery options, deviations from illustrations and descriptions, misprints, and other errors. The models portrayed partly contain special equipment that does not belong to the regular scope of supply.

© 2017 KTM Sportmotorcycle GmbH, Mattighofen Austria
All rights reserved



3213561en

02/2017

DEAR KTM CUSTOMER

Reproduction, even in part, as well as copying of all kinds, is permitted only with the express written permission of the copyright owner.



ISO 9001(12 100 6061)

According to the international quality management standard ISO 9001, KTM uses quality assurance processes that lead to the maximum possible quality of the products.

Issued by: TÜV Management Service

REG.NO. 12 100 6061

KTM Sportmotorcycle GmbH
5230 Mattighofen, Austria

This document is valid for the following models:

125 Duke EU (F4003Q1, F4003Q2, F4003Q3, F4003Q4)

TABLE OF CONTENTS

1	MEANS OF REPRESENTATION	7	6	CONTROLS.....	22
	1.1 Symbols used	7	6.1 Clutch lever	22	
	1.2 Formats used.....	8	6.2 Hand brake lever.....	22	
2	SAFETY ADVICE.....	9	6.3 Throttle grip	23	
	2.1 Use definition.....	9	6.4 Switches on the left side of the handlebar	23	
	2.2 Misuse.....	9	6.4.1 Combination switch.....	23	
	2.3 Safety advice.....	9	6.4.2 Light switch	24	
	2.4 Degrees of risk and symbols	10	6.4.3 Menu switch.....	24	
	2.5 Tampering warning.....	10	6.4.4 Turn signal switch.....	25	
	2.6 Safe operation	11	6.4.5 Horn button	25	
	2.7 Protective clothing	12	6.5 Switches on the right side of the handlebar	26	
	2.8 Work rules	12	6.5.1 Emergency OFF switch	26	
	2.9 Environment.....	12	6.5.2 Electric starter button	26	
	2.10 Owner's Manual	13	6.6 Ignition/steering lock.....	27	
3	IMPORTANT NOTES.....	14	6.7 Locking the steering.....	27	
	3.1 Manufacturer and implied warranty.....	14	6.8 Unlocking the steering.....	28	
	3.2 Operating and auxiliary substances	14	6.9 Opening the filler cap.....	28	
	3.3 Spare parts, accessories	14	6.10 Closing the filler cap	30	
	3.4 Service	15	6.11 Seat lock.....	30	
	3.5 Figures	15	6.12 Tool set.....	31	
	3.6 Customer service.....	15	6.13 Grab handles	31	
4	VIEW OF VEHICLE	16	6.14 Passenger footrests	32	
	4.1 View of vehicle, front left (example)	16	6.15 Shift lever	32	
	4.2 View of vehicle, rear right (example)	18	6.16 Foot brake lever	33	
5	SERIAL NUMBERS	20	6.17 Side stand.....	34	
	5.1 Chassis number	20	7	COMBINATION INSTRUMENT	35
	5.2 Type label	20	7.1 Combination instrument	35	
	5.3 Engine number	21	7.2 Activation and test	35	
	5.4 Key number.....	21	7.3 Day-Night mode.....	36	






TABLE OF CONTENTS

7.4	Warning notes.....	37	7.17.16	Quick Selector 2.....	58
7.5	Indicator lamps.....	38	7.17.17	Bluetooth.....	58
7.6	Display.....	40	7.17.18	Shift Light.....	59
7.7	Speed.....	42	7.17.19	Setting the time and date.....	60
7.8	Shift warning light.....	43	7.17.20	DRL.....	61
7.9	Speed.....	44	7.17.21	Distance.....	62
7.10	ODO display.....	44	7.17.22	Temp.....	63
7.11	Coolant temperature indicator.....	45	7.17.23	Fuel Cons.....	63
7.12	Fuel level display.....	45	7.17.24	Language.....	64
7.13	Time.....	46	7.17.25	Service.....	64
7.14	Favourites display.....	46	7.17.26	Extra Functions.....	65
7.15	Quick Selector 1 display.....	47	8	PREPARING FOR USE.....	66
7.16	Quick Selector 2 display.....	47	8.1	Advice on first use.....	66
7.17	Menu.....	48	8.2	Running in the engine.....	67
7.17.1	KTM MY RIDE (optional).....	48	8.3	Loading the vehicle.....	68
7.17.2	Info.....	49	9	RIDING INSTRUCTIONS.....	70
7.17.3	Motorcycle.....	49	9.1	Checks and maintenance when preparing for use.....	70
7.17.4	Settings.....	50	9.2	Starting.....	71
7.17.5	Preferences.....	50	9.3	Starting off.....	73
7.17.6	Pairing (optional).....	51	9.4	Shifting, riding.....	73
7.17.7	Audio (optional).....	52	9.5	Applying the brakes.....	76
7.17.8	Telephony (optional).....	53	9.6	Stopping, parking.....	78
7.17.9	General Info.....	54	9.7	Transport.....	80
7.17.10	Trip 1.....	54	9.8	Refueling.....	81
7.17.11	Trip 2.....	55	10	SERVICE SCHEDULE.....	83
7.17.12	Warning.....	55	10.1	Additional information.....	83
7.17.13	ABS.....	56	10.2	Required work.....	83
7.17.14	Favourites.....	57	10.3	Recommended work.....	85
7.17.15	Quick Selector 1.....	57			

TABLE OF CONTENTS

11	TUNING THE CHASSIS	86	13.6	Checking the free travel of foot brake lever	110
11.1	Adjusting the spring pretension of the shock absorber 🛠️	86	13.7	Adjusting the free travel of the foot brake lever 🛠️	111
11.2	Adjusting the shift lever	87	13.8	Checking the rear brake fluid level	112
12	SERVICE WORK ON THE CHASSIS	88	13.9	Adding rear brake fluid 🛠️	113
12.1	Raising the motorcycle with the rear lifting gear	88	13.10	Checking the brake linings of the rear brake	116
12.2	Removing the rear of the motorcycle from the lifting gear	88	14	WHEELS, TIRES	117
12.3	Lifting the motorcycle with the front lifting gear	89	14.1	Removing the front wheel 🛠️	117
12.4	Taking the motorcycle from the front lifting gear ...	90	14.2	Installing the front wheel 🛠️	118
12.5	Cleaning the dust boots of the fork legs	91	14.3	Removing the rear wheel 🛠️	120
12.6	Removing the passenger seat	92	14.4	Installing the rear wheel 🛠️	121
12.7	Mounting the passenger seat	93	14.5	Checking the rear hub rubber dampers 🛠️	124
12.8	Removing the front rider's seat	93	14.6	Checking the tire condition	125
12.9	Mounting the front rider's seat	94	14.7	Checking the tire air pressure	127
12.10	Checking for chain dirt accumulation	94	15	ELECTRICAL SYSTEM	129
12.11	Cleaning the chain	95	15.1	Daytime running light (DRL)	129
12.12	Checking the chain tension	96	15.2	Removing the battery 🛠️	130
12.13	Adjusting the chain tension	97	15.3	Installing the battery 🛠️	131
12.14	Checking the chain, rear sprocket, and engine sprocket	99	15.4	Recharging the battery 🛠️	132
12.15	Removing the front spoiler	102	15.5	Changing the ABS fuses	135
12.16	Fitting front spoiler	103	15.6	Changing the fuses of individual power consumers	136
13	BRAKE SYSTEM	104	15.7	Checking the headlight setting	139
13.1	Antilock braking system (ABS)	104	15.8	Adjusting the headlight range	139
13.2	Checking the brake discs	105	15.9	Diagnostics connector	141
13.3	Checking the brake fluid level of the front brake	106	15.10	USB diagnostics plug	141
13.4	Adding front brake fluid 🛠️	107	16	COOLING SYSTEM	142
13.5	Checking the front brake linings	109	16.1	Cooling system	142
			16.2	Checking the antifreeze and coolant level	144

TABLE OF CONTENTS

16.3	Checking the coolant level	146	22.5	Electrical system.....	175
16.4	Draining the coolant 	148	22.6	Tires	176
16.5	Filling/bleeding the cooling system 	149	22.7	Fork.....	176
17	TUNING THE ENGINE.....	152	22.8	Shock absorber.....	176
17.1	Checking the play in the throttle cable	152	22.9	Chassis tightening torques	177
17.2	Adjusting the play in the throttle cable 	153	23	DECLARATIONS OF CONFORMITY	182
17.3	Checking the clutch lever play.....	153	23.1	EU declaration of conformity.....	182
17.4	Adjusting play in the clutch lever 	155	23.2	FCC declaration of conformity	183
18	SERVICE WORK ON THE ENGINE	156	24	SUBSTANCES	185
18.1	Checking the engine oil level.....	156	25	AUXILIARY SUBSTANCES	188
18.2	Changing the engine oil and oil filter, cleaning the oil screen 	156	26	STANDARDS	190
18.3	Adding engine oil.....	159	27	INDEX OF SPECIAL TERMS	191
19	CLEANING, CARE	161	28	LIST OF ABBREVIATIONS.....	192
19.1	Cleaning the motorcycle	161	29	LIST OF SYMBOLS.....	193
19.2	Checks and maintenance steps for winter operation.....	163	29.1	Red symbols.....	193
20	STORAGE.....	165	29.2	Yellow and orange symbols.....	193
20.1	Storage	165	29.3	Green and blue symbols.....	193
20.2	Preparing for use after storage.....	166	INDEX.....		194
21	TROUBLESHOOTING	167			
22	TECHNICAL DATA.....	170			
22.1	Engine.....	170			
22.2	Engine tightening torques	171			
22.3	Capacities	173			
22.3.1	Engine oil	173			
22.3.2	Coolant	173			
22.3.3	Fuel	174			
22.4	Chassis	174			

1.1 Symbols used

The meaning of specific symbols is described below.



Indicates an expected reaction (e.g. of a work step or a function).



Indicates an unexpected reaction (e.g. of a work step or a function).



All work marked with this symbol requires specialist knowledge and technical understanding. In the interest of your own safety, have these jobs performed by an authorized KTM workshop. There, your motorcycle will be optimally cared for by specially trained experts using the specialist tools required.



Indicates a page reference (more information is provided on the specified page).



Indicates information with more details or tips.



Indicates the result of a testing step.

1 MEANS OF REPRESENTATION

1.2 Formats used

The typographical formats used in this document are explained below.

Specific name	Identifies a proprietary name.
Name®	Identifies a protected name.
Brand™	Identifies a brand available on the open market.
<u>Underlined terms</u>	Refer to technical details of the vehicle or indicate technical terms that are explained in the glossary.

2.1 Use definition

KTM sport motorcycles are designed and constructed to meet the normal demands of regular road operation but not for use on race courses or offroad.



Info

The motorcycle is authorized for public road traffic in the homologous version only.

2.2 Misuse

The vehicle must only be used as intended.

Dangers can arise for people, property and the environment through use not as intended.

Any use of the vehicle beyond the intended and defined use constitutes misuse.

Misuse also includes the use of operating and auxiliary fluids which do not meet the required specification for the respective use.

2.3 Safety advice

A number of safety instructions need to be followed to operate the vehicle safely. Therefore, read this manual carefully. The safety instructions are highlighted in the text and are referred to at the relevant passages.



Info

The vehicle has various information and warning labels at prominent locations. Do not remove information/warning labels. If they are missing, you or others may not recognize dangers and may therefore be injured.

2.4 Degrees of risk and symbols



Danger

Indicates a danger that will immediately and invariably lead to fatal or serious permanent injury if the appropriate measures are not taken.



Warning

Indicates a danger that is likely to lead to fatal or serious injury if the appropriate measures are not taken.



Caution

Indicates a danger that may lead to minor injuries if the appropriate measures are not taken.

Note

Indicates a danger that will lead to considerable machine and material damage if the appropriate measures are not taken.



Warning

Indicates a danger that will lead to environmental damage if the appropriate measures are not taken.

2.5 Tampering warning

Tampering with the noise control system is prohibited. Federal law prohibits the following acts or the causing thereof:

- 1 The removal or rendering inoperative by any person other than for purposes of maintenance, repair, or replacement, of any device or element of design incorporated into any new vehicle for the purpose of noise control prior to its sale or delivery to the ultimate purchaser or while it is in use, or
- 2 the use of the vehicle after such device or element of design has been removed or rendered inoperative by any person.

Among those acts presumed to constitute tampering are the acts listed below:

- 1 Removal or puncturing of the main silencer, baffles, header pipes or any other components which conduct exhaust gases.
- 2 Removal or puncturing of parts of the intake system.
- 3 Lack of proper maintenance.
- 4 Replacing moving part of the vehicle, or parts of the exhaust or intake system, with parts other than those specified by the manufacturer.

2.6 Safe operation



Danger

Danger of accidents A rider who is not fit to ride poses a danger to him or herself and others.

- Do not operate the vehicle if you are not fit to ride due to alcohol, drugs or medication.
- Do not operate the vehicle if you are physically or mentally impaired.



Danger

Danger of poisoning Exhaust gases are toxic and inhaling them may result in unconsciousness and death.

- Always make sure there is sufficient ventilation when running the engine.
- Use an effective exhaust extraction system when starting or running the engine in an enclosed space.



Warning

Danger of burns Some vehicle components become very hot when the vehicle is operated.

- Do not touch any parts such as the exhaust system, radiator, engine, shock absorber, or brake system before the vehicle parts have cooled down.
- Let the vehicle parts cool down before you perform any work on the vehicle.

Only operate the vehicle when it is in perfect technical condition, in accordance with its intended use, and in a safe and environmentally compatible manner.

An appropriate driver's license is needed to ride the vehicle on public roads.

Have malfunctions that impair safety promptly eliminated by an authorized KTM workshop.

Adhere to the information and warning labels on the vehicle.

2.7 Protective clothing



Warning

Risk of injury Missing or poor protective clothing presents an increased safety risk.

- Wear appropriate protective clothing such as helmet, boots, gloves as well as trousers and a jacket with protectors on all rides.
- Always wear protective clothing that is in good condition and meets the legal regulations.

In the interest of your own safety, KTM recommends that you only operate the vehicle while wearing protective clothing.

2.8 Work rules

Special tools are necessary for certain tasks. The tools are not contained in the vehicle but can be ordered under the number in parentheses. E.g.: bearing puller (15112017000)

During assembly, non-reusable parts (e.g. self-locking screws and nuts, seals and seal rings, O-rings, pins, lock washers) must be replaced by new parts.

In some instances, a thread locker (e.g. **Loctite**®) is required. The manufacturer instructions for use must be followed.

After disassembly, clean the parts that are to be reused and check them for damage and wear. Change damaged or worn parts.

After you complete the repair or service work, check the operating safety of the vehicle.

2.9 Environment

If you use your motorcycle responsibly, you can ensure that problems and conflicts do not occur. To protect the future of the motorcycle sport, make sure that you use your motorcycle legally, display environmental consciousness, and respect the rights of others.

When disposing of used oil, other operating and auxiliary fluids, and used components, comply with the laws and regulations of the respective country.

Because motorcycles are not subject to the EU regulations governing the disposal of used vehicles, there are no legal regulations that pertain to the disposal of an end-of-life motorcycle. Your authorized KTM dealer will be glad to advise you.

2.10 Owner's Manual

It is important that you read this Owner's Manual carefully and completely before making your first trip. The Owner's Manual contains useful information and many tips on how to operate, handle, and maintain your motorcycle. Only then will you find out how to customize the vehicle ideally for your own use and how you can protect yourself from injury.

Keep the Owner's Manual in an accessible place to enable you to refer to it as needed.

If you would like to know more about the vehicle or have questions on the material you read, please contact an authorized KTM dealer.

The Owner's Manual is an important component of the vehicle and must be handed over to the new owner if the vehicle is sold.

3.1 Manufacturer and implied warranty

The work specified in the service schedule may only be performed in an authorized KTM workshop and must be recorded in both the Service & Warranty Booklet and in **KTM Dealer.net**, otherwise any warranty coverage will become void. Damage or secondary damage caused by tampering with and/or conversions on the vehicle are not covered by the warranty. Additional information on the manufacturer or implied warranty and the procedures involved can be found in the Service & Warranty Booklet.

3.2 Operating and auxiliary substances



Warning

Environmental hazard Improper handling of fuel is a danger to the environment.

- Do not allow fuel to enter the groundwater, the soil, or the sewage system.

Use operating and auxiliary substances (such as fuel and lubricants) as specified in the Owner's Manual.

3.3 Spare parts, accessories

For your own safety, only use spare parts and accessory products that are approved and/or recommended by KTM and have them installed by an authorized KTM workshop. KTM accepts no liability for other products and any resulting damage or loss. Certain spare parts and accessory products are specified in parentheses in the descriptions. Your authorized KTM dealer will be glad to advise you.

The current **KTM PowerParts** for your vehicle can be found on the KTM website.
International KTM Website: <http://www.ktm.com>

3.4 Service

A prerequisite for perfect operation and prevention of premature wear is that the service, care, and tuning work on the engine and chassis is properly carried out as described in the Owner's Manual. Incorrect adjustment and tuning of the engine and chassis can lead to damage and breakage of components.

Use of the vehicle under difficult conditions, such in rain, high heat or with a heavy load, can lead to considerably more rapid wear of components such as the drive train, brake system, or suspension components. For this reason, it may be necessary to inspect or replace parts before the next scheduled service.

It is imperative that you adhere to the stipulated run-in times and service intervals. If you observe these exactly, you will ensure a much longer service life for your motorcycle.

3.5 Figures

The figures contained in the manual may depict special equipment.

In the interest of clarity, some components may be shown disassembled or may not be shown at all. It is not always necessary to disassemble the component to perform the activity in question. Please follow the instructions in the text.

3.6 Customer service

Your authorized KTM dealer will be happy to answer any questions you may have on your vehicle and KTM.

A list of authorized KTM dealers can be found on the KTM website.

International KTM Website: <http://www.ktm.com>

4 VIEW OF VEHICLE

4.1 View of vehicle, front left (example)



4 VIEW OF VEHICLE

1	Combination instrument
2	Rear mirror
3	Clutch lever (📖 p. 22)
4	Front rider's seat
5	Seat lock (📖 p. 30)
6	Passenger seat
7	Grab handles (📖 p. 31)
8	Shift lever (📖 p. 32)
9	Side stand (📖 p. 34)
10	Engine number (📖 p. 21)

4 VIEW OF VEHICLE

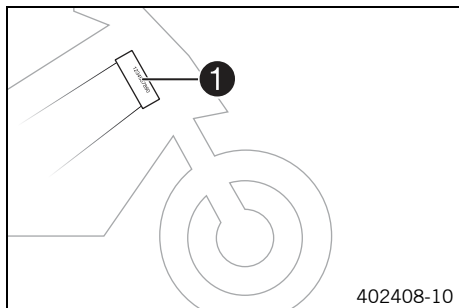
4.2 View of vehicle, rear right (example)



4 VIEW OF VEHICLE

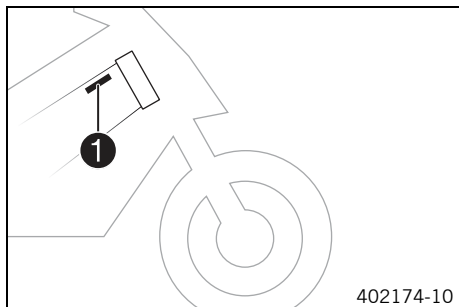
1	Tool set (📖 p. 31)
2	Light switch (📖 p. 24)
2	Menu switch (📖 p. 24)
2	Turn signal switch (📖 p. 25)
2	Horn button (📖 p. 25)
3	Filler cap
4	Electric starter button (📖 p. 26)
4	Emergency OFF switch (📖 p. 26)
5	Hand brake lever (📖 p. 22)
6	Ignition/steering lock (📖 p. 27)
7	Chassis number (📖 p. 20)
7	Type label (📖 p. 20)
8	Foot brake lever (📖 p. 33)
9	Passenger footrests (📖 p. 32)

5.1 Chassis number



The chassis number ❶ is stamped on the right side of the steering head.

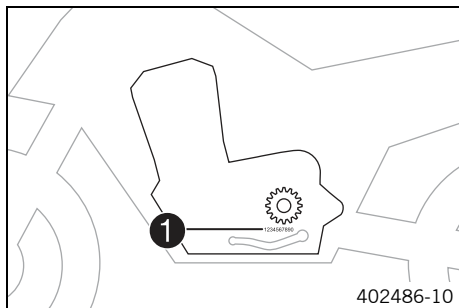
5.2 Type label



The type label ❶ is on the right of the frame behind the steering head.

5.3 Engine number

The engine number ❶ is stamped on the left side of the engine under the engine sprocket.



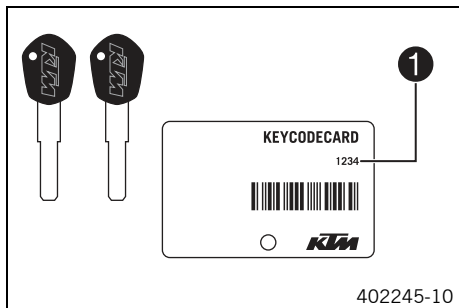
5.4 Key number

The key number ❶ can be found on the **KEYCODECARD**.

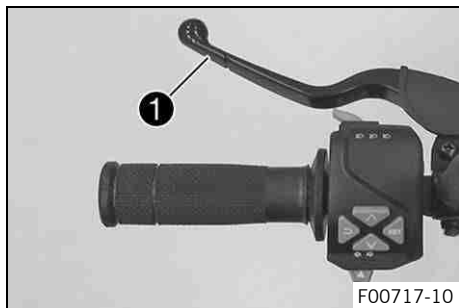


Info

You need the key number to order a spare key. Keep the **KEYCODECARD** in a safe place.



6.1 Clutch lever



The clutch lever ❶ is fitted on the left side of the handlebar.

6.2 Hand brake lever



The hand brake lever ❶ is fitted on the right side of the handlebar.
The front brake is engaged using the hand brake lever.

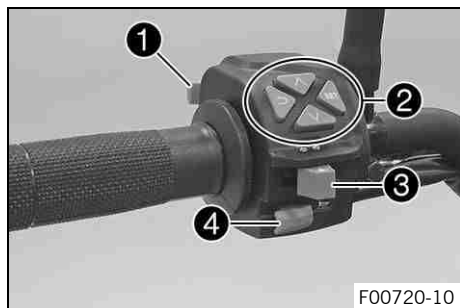
6.3 Throttle grip



The throttle grip ❶ is fitted on the right side of the handlebar.

6.4 Switches on the left side of the handlebar

6.4.1 Combination switch

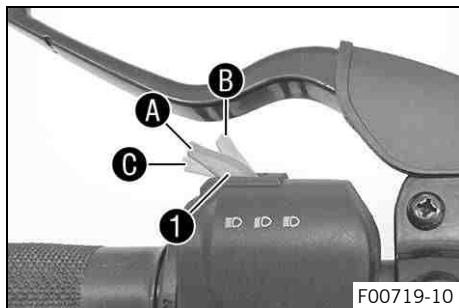


The combination switch is fitted on the left side of the handlebar.

Overview of the left combination switch

- | | |
|---|------------------------------|
| 1 | Light switch (📖 p. 24) |
| 2 | Menu switch (📖 p. 24) |
| 3 | Turn signal switch (📖 p. 25) |
| 4 | Horn button (📖 p. 25) |

6.4.2 Light switch

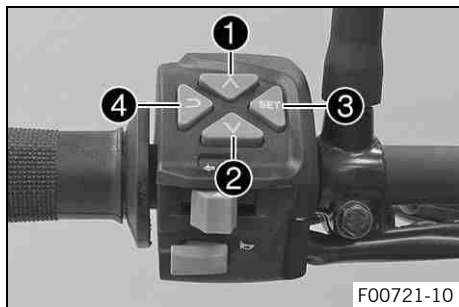


Light switch **1** is fitted on the left side of the handlebar.

Possible states

	Low beam on – Light switch in position A . In this position, the low beam and the tail light are switched on.
	High beam on – Push the light switch to position B . In this position, the high beam and the tail light are switched on.
	Headlight flasher – Push the light switch into position C .

6.4.3 Menu switch



The menu switch is fitted in the middle of the left combination switch.

The menu buttons are used to control the display on the combination instrument.

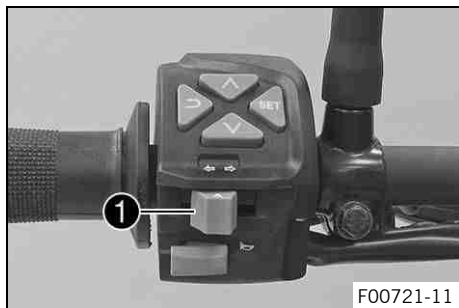
Button **1** is the **UP** button.

Button **2** is the **DOWN** button.

Button **3** is the **SET** button.




Button **4** is the **BACK** button.

6.4.4 Turn signal switch

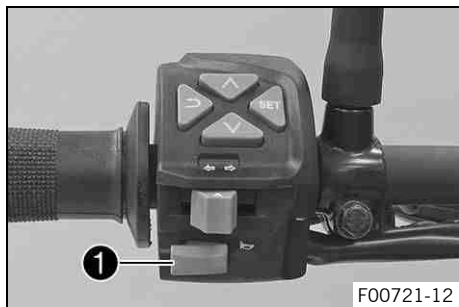


Turn signal switch ❶ is fitted on the left side of the handlebar.

Possible states



	Turn signal off – Turn signal switch pushed toward the switch housing.
	Left turn signal, on – Turn signal switch pressed to the left. The turn signal switch returns automatically to the central position after use.
	Right turn signal, on – Turn signal switch pressed to the right. The turn signal switch returns automatically to the central position after use.

6.4.5 Horn button



The horn button ❶ is fitted on the left side of the handlebar.

Possible states

- Horn button  in neutral position
- Horn button  pressed – The horn is operated in this position.



6.5 Switches on the right side of the handlebar

6.5.1 Emergency OFF switch

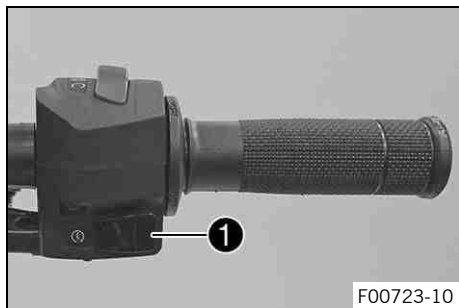


The emergency OFF switch ① is fitted on the right side of the handlebar.

Possible states

	Emergency OFF switch off – In this position, the ignition circuit is interrupted, a running engine stops, and a non-running engine cannot be started.
	Emergency OFF switch on – This position is required for operation; the ignition circuit is closed.

6.5.2 Electric starter button



The electric starter button ① is fitted on the right side of the handlebar.

Possible states




- Electric starter button ③ in basic position
- Electric starter button ③ pressed – In this position, the electric starter is actuated.

6.6 Ignition/steering lock



The ignition/steering lock is in front of the upper triple clamp.

Possible states

	Ignition off OFF – In this position, the ignition circuit is interrupted, a running engine stops, and a non-running engine will not start. The ignition key can be removed.
	Ignition on ON – In this position, the ignition circuit is closed and the engine can be started.
	Steering locked LOCK – In this position, the ignition circuit is interrupted and the steering locked. The ignition key can be removed.

6.7 Locking the steering

Note

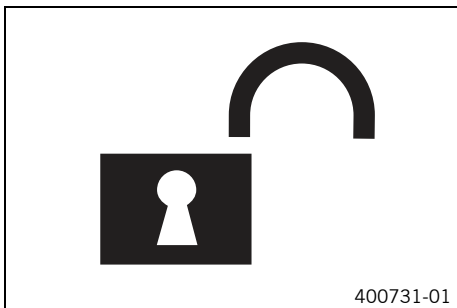
Danger of damage The parked vehicle can roll away or fall over.

- Park the vehicle on a firm and level surface.



- Park the vehicle.
- Turn the handlebar all the way to the left.
- Insert the key into the ignition/handlebar lock, press in, and turn to the left. Remove the key.
 - ✓ Steering is no longer possible.

6.8 Unlocking the steering



- Insert the key into the ignition/handlebar lock, press in, and turn to the right. Remove the key.
- ✓ You can now steer the bike again.

6.9 Opening the filler cap



Danger

Fire hazard Fuel is highly flammable.

The fuel in the fuel tank expands when warm and can escape if overfilled.

- Do not refuel the vehicle in the vicinity of open flames or lit cigarettes.
- Switch off the engine for refueling.
- Make sure that no fuel is spilled; particularly not on hot parts of the vehicle.
- If any fuel is spilled, wipe it off immediately.
- Observe the specifications for refueling.



Warning

Danger of poisoning Fuel is poisonous and a health hazard.

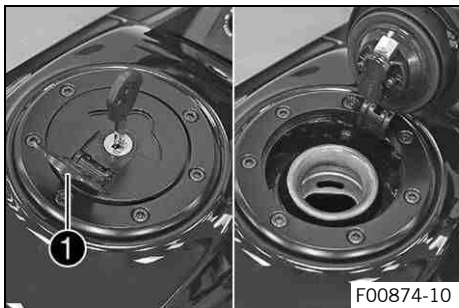
- Avoid skin, eye and clothing contact with fuel.
- Immediately consult a doctor if you swallow fuel.
- Do not inhale fuel vapors.
- In case of skin contact, rinse the affected area with plenty of water.
- Rinse the eyes thoroughly with water, and consult a doctor in case of fuel contact with the eyes.
- Change your clothing in case of fuel spills on them.
- Keep fuels correctly in a suitable canister, and out of the reach of children.



Warning

Environmental hazard Improper handling of fuel is a danger to the environment.

- Do not allow fuel to enter the groundwater, the soil, or the sewage system.



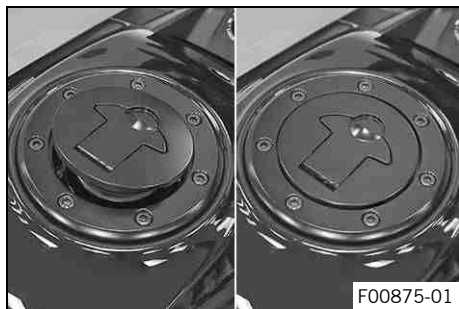
- Lift the cover **1** of the filler cap and insert the ignition key in the lock.

Note

Danger of damage The ignition key may break if overloaded.
Damaged ignition keys must be replaced.

- Push down on the filler cap to take pressure off the ignition key.
- Turn the ignition key 90° clockwise.
- Open the filler cap.
- Remove the ignition key.

6.10 Closing the filler cap



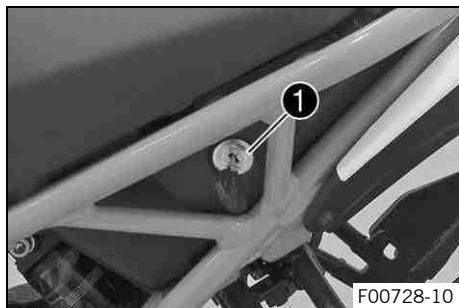
Warning

Fire hazard Fuel is highly flammable, toxic and a health hazard.

- Check the filler cap is locked correctly after closing.
- Change your clothing in case of fuel spills on them.
- Rinse the affected area immediately with plenty of water in the event of contact with the skin.

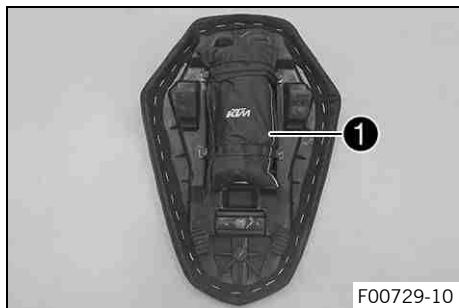
- Close the filler cap.
- Push down the filler cap until the lock engages.

6.11 Seat lock



The seat lock **1** is located to the left of the seat.
The seat lock can be unlocked using the ignition key.

6.12 Tool set



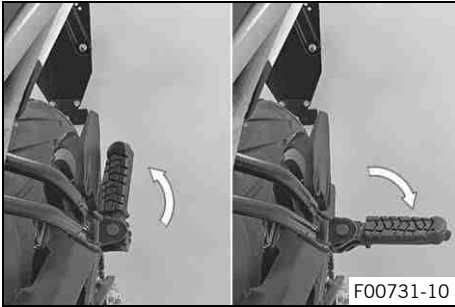
The tool set ❶ is located under the passenger seat.

6.13 Grab handles



The grab handles ❶ are used for moving the motorcycle around.
If you carry a passenger, the passenger can hold onto the grab handles during the trip.

6.14 Passenger footrests

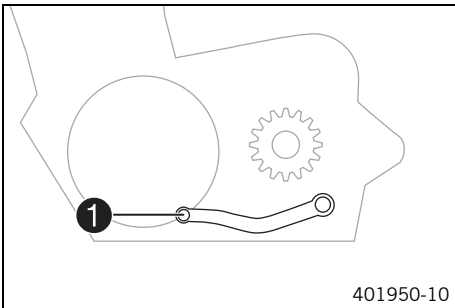


The passenger footrests can be folded in and out.

Possible states

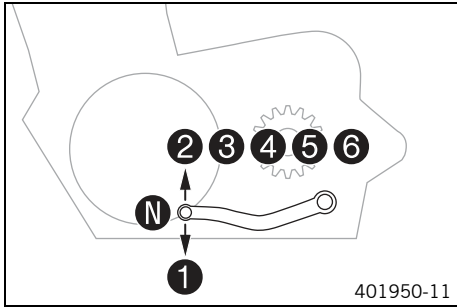
- Passenger footrests folded up – For operation without a passenger.
- Passenger footrests folded down – For operation with a passenger.

6.15 Shift lever



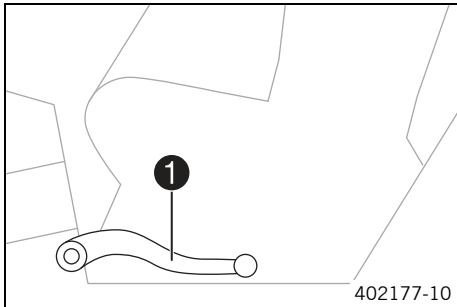
Shift lever **1** is mounted on the left side of the engine.

6 CONTROLS



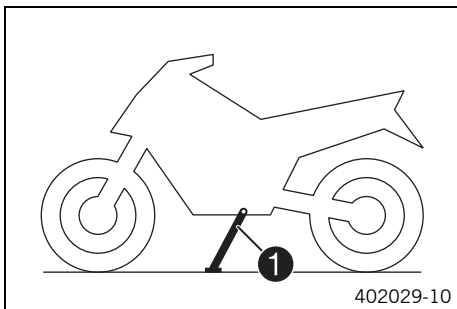
The gear positions can be seen in the photograph.
The neutral or idle position is between the first and second gears.

6.16 Foot brake lever



Foot brake lever 1 is located in front of the right footrest.
The foot brake lever is used to activate the rear brake.

6.17 Side stand



The side stand **1** is on the left side of the vehicle.
The side stand is used to park the motorcycle.



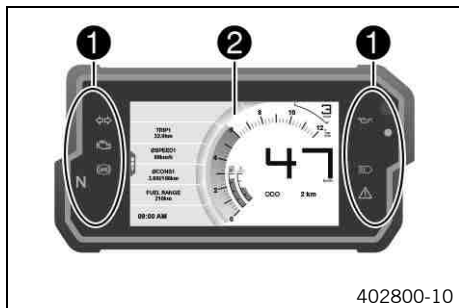
Info

The side stand must be folded up during motorcycle use.
Side stand is coupled with the safety start system; see the riding instructions.

Possible states

- Side stand folded out – The vehicle can be leaned on the side stand. The safety start system is active.
- Side stand folded in – This position is mandatory for all trips. The safety start system is inactive.

7.1 Combination instrument



The combination instrument is attached in front of the handlebar. The combination instrument is divided into two function areas.

① indicator lamps (📖 p. 38)

Display ②

7.2 Activation and test



Activation

The combination instrument is activated when the ignition is switched on.

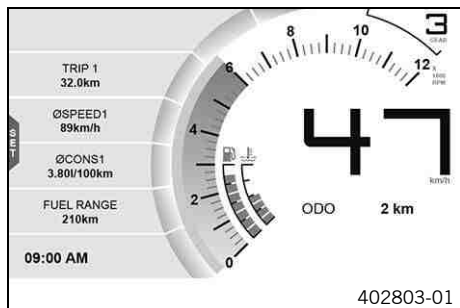
Info

The brightness of the displays is controlled by a brightness sensor in the combination instrument.

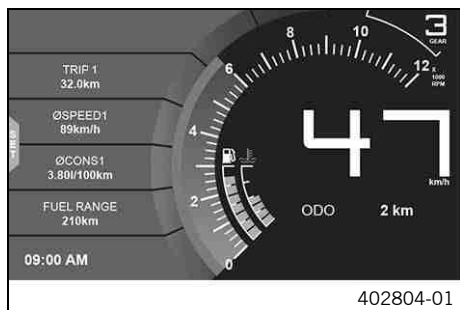
Test

The welcome text appears on the display and the indicator lamps are briefly activated for a function test.

7.3 Day-Night mode



Day mode is shown in a bright color.



Night mode is shown in a dark color.

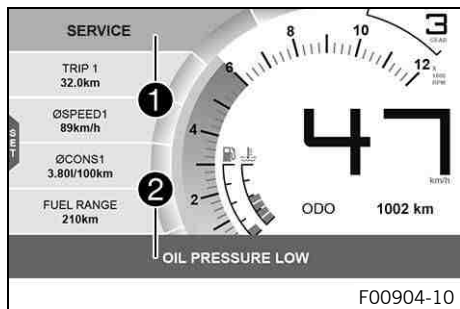


Info

The light sensor in the combination instrument measures the brightness of the environment and automatically switches the display to day or night mode. The display is brightened, darkened or switched to the other mode depending on the brightness measured by the light sensor.

The display mode cannot be changed manually.

7.4 Warning notes



Warning notes appear on the top and/or bottom edge of the display, these are marked yellow or red depending on their relevance.

Yellow warning notes ① indicate errors or information which requires prompt intervention or an adjustment to the riding style.

Red warning notes ② indicate errors or information which requires immediate intervention.



Info

Warning notes are cleared by pressing any button.

All existing warning notes are displayed in the **Warning** menu until these are no longer active.









7.5 Indicator lamps



7 COMBINATION INSTRUMENT

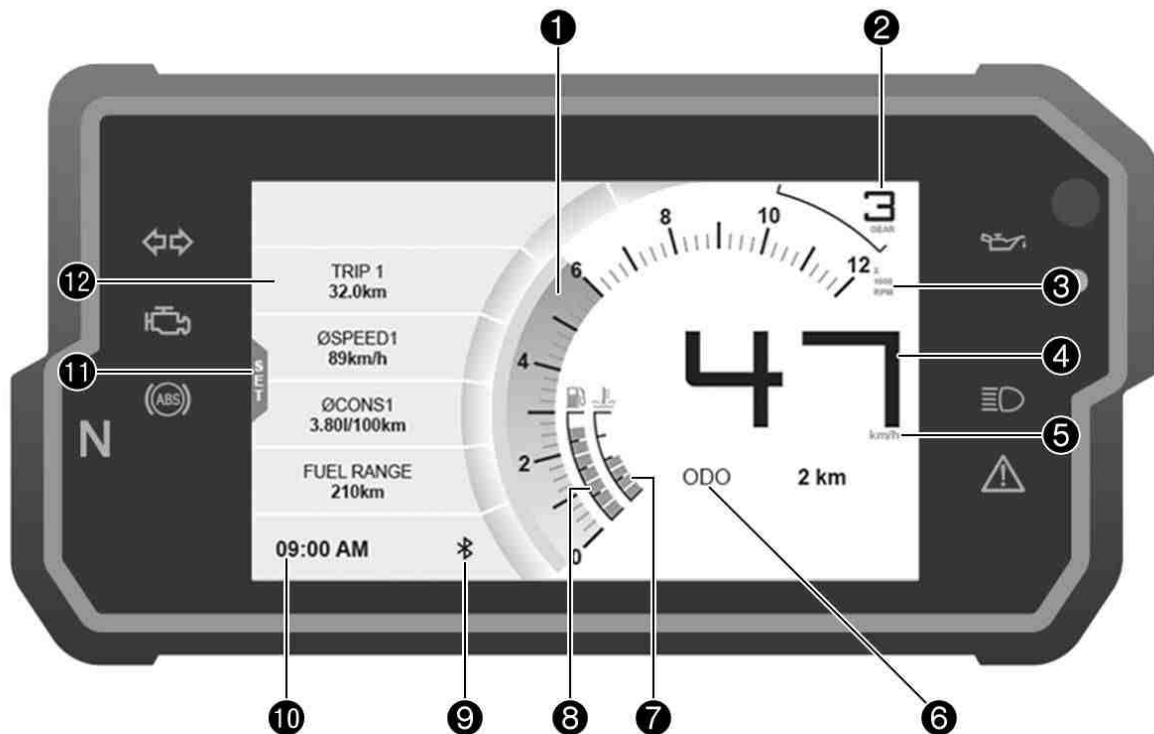
The indicator lamps offer additional information about the operating state of the motorcycle.
When the ignition is switched on, all indicator lamps light up briefly.

Possible states

	The turn signal indicator lamp flashes green simultaneously with the turn signal – The turn signal is switched on.
	Malfunction indicator lamp lights up yellow – The <u>OBD</u> has detected an emission- or safety-critical fault.
	ABS indicator lamp lights up yellow – Status or error messages relating to <u>ABS</u> .
	The idle indicator lamp lights up green – The transmission is in idle.
	The oil pressure warning lamp lights up red – The oil pressure is too low.
	Alarm system indicator lamp flashes red – Status message on the alarm system (optional).
	The high beam indicator lamp lights up blue – The high beam is switched on.
	The general warning lamp lights up yellow – An operating safety (warning) message was detected. This is also shown on the display.

7 COMBINATION INSTRUMENT

7.6 Display

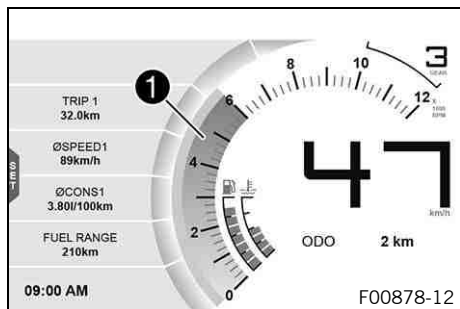


7 COMBINATION INSTRUMENT

1	Speed (📖 p. 42)
1	Shift warning light (📖 p. 43) The shift warning light is integrated in the tachometer display.
2	Gear display
3	Unit for the speed display
4	Speed (📖 p. 44)
5	Unit for the speedometer
6	ODO display (📖 p. 44)
7	Coolant temperature indicator (📖 p. 45)
8	Fuel level display (📖 p. 45)
9	Bluetooth ® (optional)
10	Time (📖 p. 46)
11	SET Only shown where the menu overview is closed.
12	Favourites display (📖 p. 46)

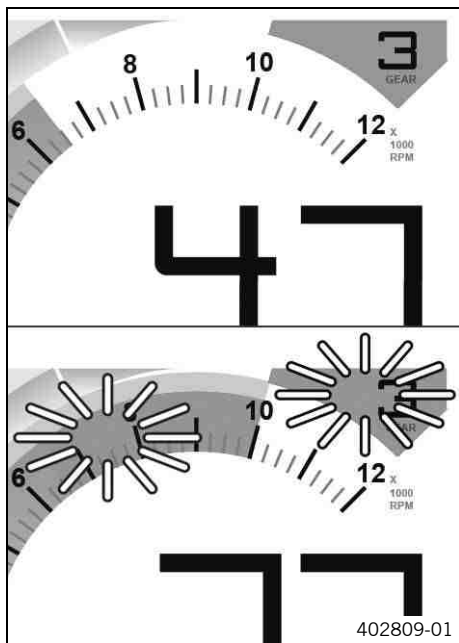
7 COMBINATION INSTRUMENT

7.7 Speed



The speed **1** is measured in revolutions per minute.

7.8 Shift warning light



The shift warning light is integrated in the tachometer display.

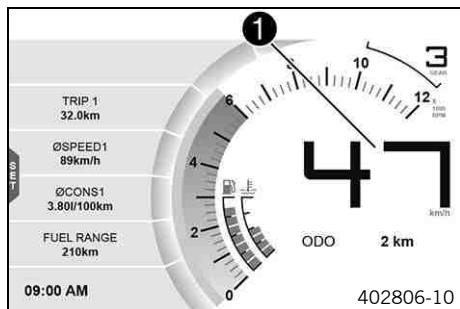
In the **Shift Light** menu, the engine speed for the shift warning light can be set. The shift warning light is always active during the running-in phase (up to 1,000 km / 621 mi). The shift warning light can only be deactivated, and the values for **RPM1** and **RPM2** can only be adjusted after this. The shift warning light lights up red at **RPM1** and flashes red at **RPM2**.

i Info

In sixth-gear, the shift warning light is deactivated when the engine is warm after the first service.

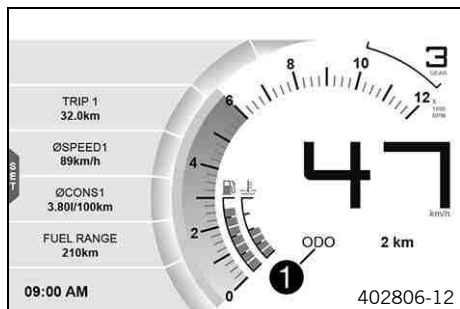
Coolant temperature	≤ 35 °C (≤ 95 °F)
ODO	< 1,000 km (< 620 mi)
The shift warning light always lights up at	6,500 rpm
Coolant temperature	> 35 °C (> 95 °F)
ODO	> 1,000 km (> 620 mi)
RPM1 shift warning light	lights up
RPM2 shift warning light	flashes

7.9 Speed



Speed **1** is shown in kilometers per hour **km/h** or in miles per hour **mph**.

7.10 ODO display



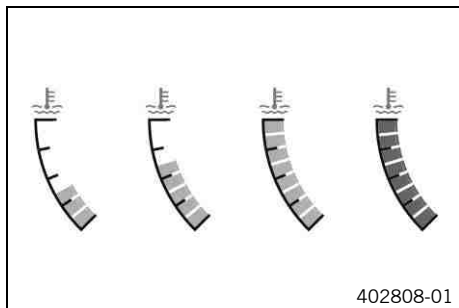
The total distance covered **ODO** is shown in area **1** of the display.



Info

This value is retained, even if the battery is disconnected from the vehicle or the fuse blows.

7.11 Coolant temperature indicator



The coolant temperature indicator consists of bars. The more bars that light up, the hotter the coolant.

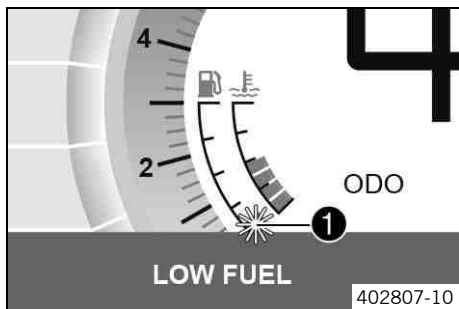
Info

When all bars light up, the following warning note **ENGINE TEMP HIGH** appears.

Possible states

- The engine is cold – Up to three bars light up.
- Engine warm – Four to five bars light up.
- Engine hot – Six to eight bars light up.
- Engine very hot – All eight bars light up red.

7.12 Fuel level display



The fuel tank contents are shown in area **1** of the display.

The fuel level indicator consists of bars. The more bars are lit, the more fuel is in the fuel tank.

Info

If the fuel level is getting low, the last segment flashes red and the following warning note also appears **LOW FUEL**.

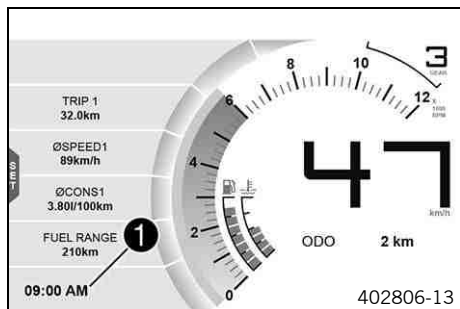
The fuel level is displayed with a slight delay to prevent the indicator from constantly moving while riding.

The fuel level display is not updated while the side stand is folded out or the emergency off switch is switched off.

Once the side stand is folded up and emergency OFF switch is switched on, the fuel level display is next updated after 2 minutes.

The fuel level display flashes if the combination instrument does not receive a signal from the fuel level sensor.

7.13 Time



The time is shown in area ❶ of the display.

The time is displayed in 24 hour format in all languages except for EN-US. The time is displayed in 12 hour format if the language is set to EN-US.

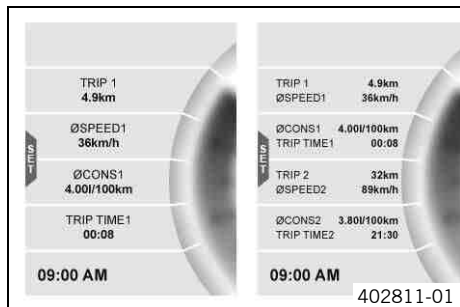
The time can be configured in the **Clock/Date** menu.



Info

The time must be reset after the battery was disconnected or the fuse was removed.

7.14 Favourites display



Up to eight items of information are shown in the **Favourites** display.

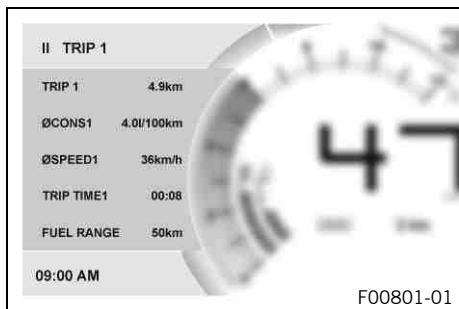
The **Favourites** display can be freely configured in the **Favourites** menu.



Info

One to four items of information selected are displayed on two lines. Five to eight items of information selected are displayed on a single line.

7.15 Quick Selector 1 display



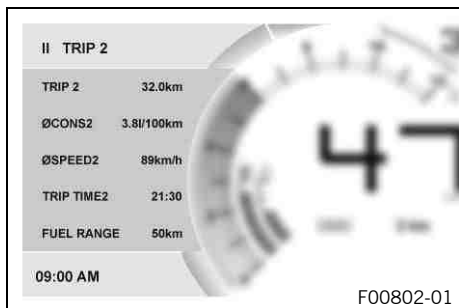
When the menu is closed, the **Quick Selector 1** menu is opened by pressing the **UP** button. Press the **BACK** button to close **Quick Selector 1**.



Info

The **Quick Selector 1** can be configured in the **Quick Selector 1** menu. Any information can be selected.

7.16 Quick Selector 2 display



When the menu is closed, the **Quick Selector 2** menu is opened by pressing the **DOWN** button.

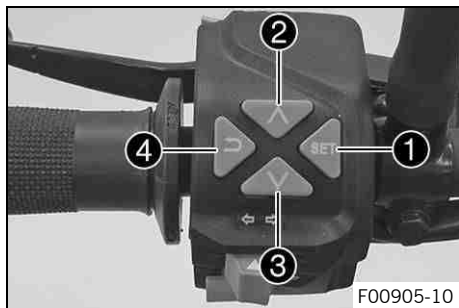
Press the **BACK** button to close **Quick Selector 2**.



Info

The **Quick Selector 2** can be configured in the **Quick Selector 2** menu. Any information can be selected.

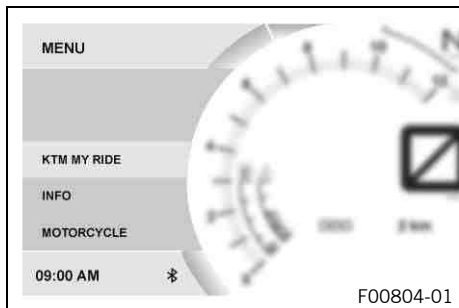
7.17 Menu



Info

Press the **SET** button ① in the standard display to open the menu. Navigate through the menu using the **UP** button ② or the **DOWN** button ③. Press the **BACK** button ④ to close the current menu or the menu overview.

7.17.1 KTM MY RIDE (optional)



Condition

- The motorcycle is stationary.
- Function **KTM MY RIDE** activated (optional).
- Function **Bluetooth®** activated.
- Press the **SET** button when the menu is closed.
- Press the **UP** or **DOWN** button until **KTM MY RIDE** is marked. Press the **SET** button to open the menu.

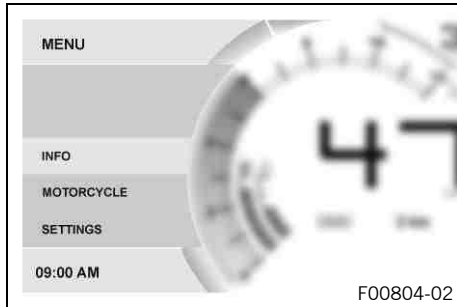
In **KTM MY RIDE** a suitable cellphone can be paired with the combination instrument via **Bluetooth®**.



Info

Not every cellphone is suitable for pairing with the combination instrument. The standard **Bluetooth®** 2.1 must be supported.

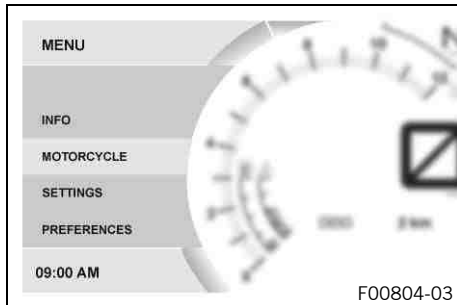
7.17.2 Info



- Press the **SET** button when the menu is closed.
- Press the **UP** or **DOWN** button until **Info** is marked. Press the **SET** button to open the menu.

General information can be accessed in **Info**.

7.17.3 Motorcycle

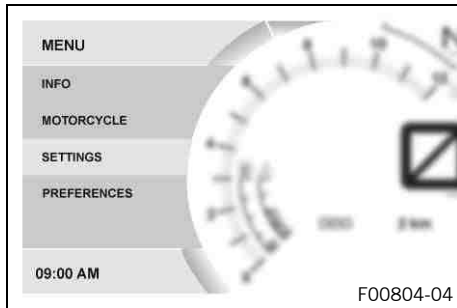


Condition

- The motorcycle is stationary.
- Press the **SET** button when the menu is closed.
- Press the **UP** or **DOWN** button until **Motorcycle** is marked. Press the **SET** button to open the menu.

The vehicle drive mode can be configured in **Motorcycle**.

7.17.4 Settings

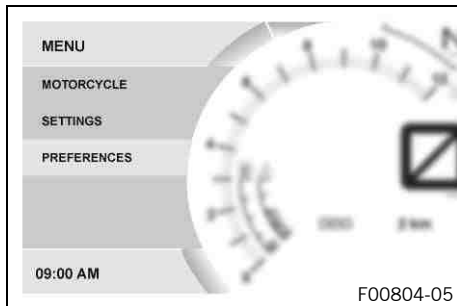


Condition

- The motorcycle is stationary.
- Press the **SET** button when the menu is closed.
- Press the **UP** or **DOWN** button until **Settings** is marked. Press the **SET** button to open the menu.

Favorites and quick selection can be configured in **Settings**.

7.17.5 Preferences

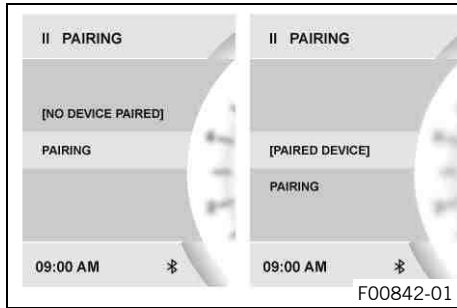


Condition

- The motorcycle is stationary.
- Press the **SET** button when the menu is closed.
- Press the **UP** or **DOWN** button until **Preferences** is marked. Press the **SET** button to open the menu.

The combination instrument display can be configured in **Preferences**. Settings can be made for units or various values. Several functions can be enabled or disabled.

7.17.6 Pairing (optional)



Condition

- The motorcycle is stationary.
 - Function **KTM MY RIDE** activated (optional).
 - Function **Bluetooth®** activated.
 - The **Bluetooth®** function should also be activated in the device to be paired.
- Press the **SET** button when the menu is closed.
 - Press the **UP** or **DOWN** button until **KTM MY RIDE** is marked. Press the **SET** button to open the menu.
 - Press the **UP** or **DOWN** button until **Pairing** is marked. Press the **SET** button to open the menu.
 - Press the **UP** or **DOWN** button until **Pairing** is marked. Press the **SET** button to pair a suitable cellphone with the combination instrument via **Bluetooth®**.
 - Confirmation of the **Passkey** successfully completes the pairing.

i Info

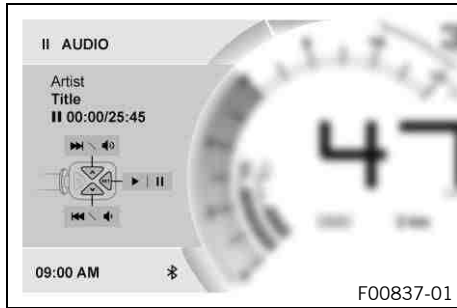
When a suitable cellphone has been successfully paired, the name of the paired cellphone is displayed.

Press the **UP** or **DOWN** button until paired device is marked on the display. The paired device can be deleted by pressing the **SET** button.

The device most recently linked is automatically paired with the combination instrument when **Bluetooth®** is switched on and as soon as this device is in range and has not been previously deleted.

Not every cellphone is suitable for pairing with the combination instrument.

7.17.7 Audio (optional)



Condition

- Function **KTM MY RIDE** activated (optional).
- Function **Bluetooth®** activated.
- The **Bluetooth®** function should also be activated in the device to be paired.
- Press the **SET** button when the menu is closed.
- Press the **UP** or **DOWN** button until **KTM MY RIDE** is marked. Press the **SET** button to open the menu.



Warning

- Danger of accidents** Headphone volume which is too high distracts attention from traffic activity.
- Always select headphone volume which is low enough for you to still clearly hear acoustic signals.

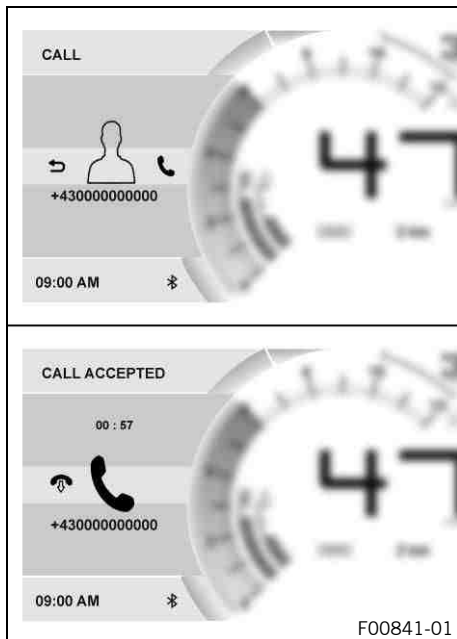
- Press the **UP** or **DOWN** button until **Audio** is marked. Press the **SET** button to open the menu.
- Press and hold the **UP** button to increase the audio volume.
- Press and hold the **DOWN** button to reduce the audio volume.
- Press the **UP** button briefly to change to the next audio track.
- Press the **DOWN** button briefly to change to the previous audio track.
- Press the **SET** button to play or pause the audio track.



Info

The audio function can be added to **Quick Selector 1** or **Quick Selector 2** for easier operation.

7.17.8 Telephony (optional)



Condition

- Function **KTM MY RIDE** activated (optional).
- Function **Bluetooth®** activated.
- The **Bluetooth®** function should also be activated in the device to be paired.
- Headset linked with appropriate cellphone.



Warning

Danger of accidents Headphone volume which is too high distracts attention from traffic activity.

- Always select headphone volume which is low enough for you to still clearly hear acoustic signals.

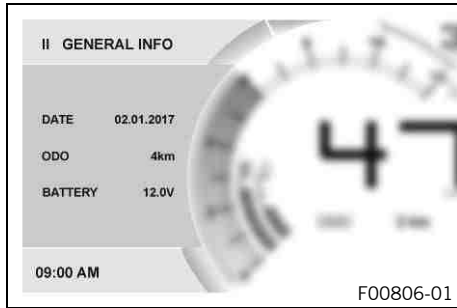
- Press the **SET** button to accept an incoming call.
- Press the **BACK** button to reject an incoming call.
- Press and hold the **UP** button to increase the audio volume.
- Press and hold the **DOWN** button to reduce the audio volume.



Info

The call duration and contact are displayed. Depending on the cellphone settings, the contact is shown by name.

7.17.9 General Info



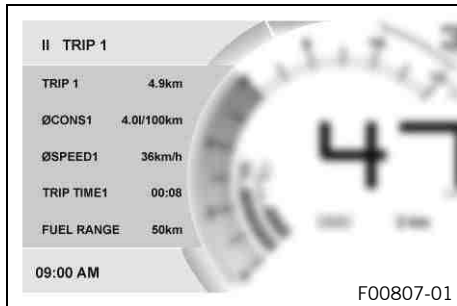
- Press the **SET** button when the menu is closed.
- Press the **UP** or **DOWN** button until **Info** is marked. Press the **SET** button to open the menu.
- Press the **UP** or **DOWN** button until **General Info** is marked. Press the **SET** button to open the menu.

Date shows the date.

ODO shows the total distance covered.

Battery indicates the battery voltage.

7.17.10 Trip 1



- Press the **SET** button when the menu is closed.
- Press the **UP** or **DOWN** button until **Info** is marked. Press the **SET** button to open the menu.
- Press the **UP** or **DOWN** button until **Trip 1** is marked. Press the **SET** button to open the menu.

Trip 1 shows the distance since the last reset, such as between two refueling stops. **Trip 1** is running and counts up to **9999**.

ØCons1 indicates the average fuel consumption based on **Trip 1**.

ØSpeed1 indicates the average speed based on **Trip 1** and **Trip Time1**.

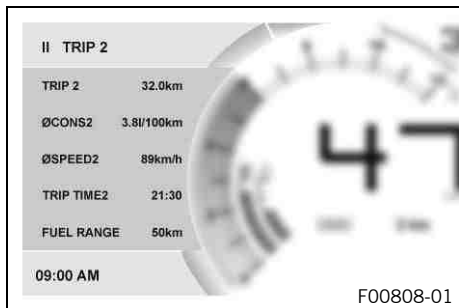
Trip Time1 shows the journey time on the basis of **Trip 1** and runs as soon as a speed signal is received.

Fuel Range indicates the possible distance you can cover with the fuel reserve.

Press and hold the **SET** button for 3-5 seconds.

All entries in the **Trip 1** menu are reset.

7.17.11 Trip 2



- Press the **SET** button when the menu is closed.
- Press the **UP** or **DOWN** button until **Info** is marked. Press the **SET** button to open the menu.
- Press the **UP** or **DOWN** button until **Trip 2** is marked. Press the **SET** button to open the menu.

Trip 2 shows the distance since the last reset, such as between two refueling stops. **Trip 2** is running and counts up to **9999**.

ØCons2 indicates the average fuel consumption based on **Trip 2**.

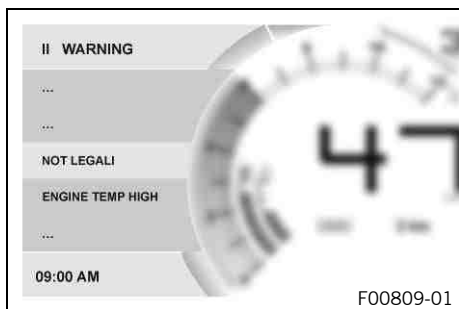
ØSpeed2 indicates the average speed based on **Trip 2** and **Trip Time2**.

Trip Time2 shows the journey time on the basis of **Trip 2** and runs as soon as a speed signal is received.

Fuel Range indicates the possible distance you can cover with the fuel reserve.

Press and hold the SET button for 3-5 seconds.	All entries in the Trip 2 menu are reset.
---	--

7.17.12 Warning

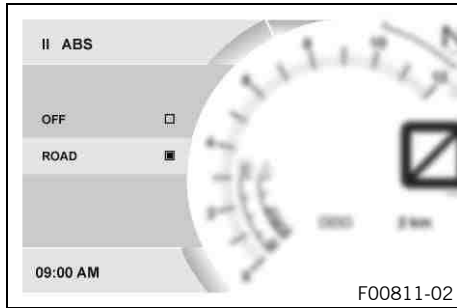


Condition

- Message or warning is present.
- Press the **SET** button when the menu is closed.
- Press the **UP** or **DOWN** button until **Info** is marked. Press the **SET** button to open the menu.
- Press the **UP** or **DOWN** button until **Warning** is marked. Press the **SET** button to open the menu.
- Use the **UP** or **DOWN** button to navigate through the warnings.

In the **Warning** menu, all warnings that have occurred are displayed and stored.

7.17.13 ABS



Condition

- The motorcycle is stationary.
- Press the **SET** button when the menu is closed.
- Press the **UP** or **DOWN** button until **Motorcycle** is marked. Press the **SET** button to open the menu.



Warning

Voiding of the government approval for road use and the insurance coverage If the ABS is switched off completely, the vehicle's approval for road use is invalidated.

- Only operate the vehicle in closed-off areas remote from public road traffic if the ABS is switched off completely.
-
- Press the **UP** or **DOWN** button until **ABS** is marked. Press the **SET** button to open the menu.
 - Activate the menu item using the **UP** or **DOWN** button.
 - Switch off **ABS** by pressing the **SET** button.



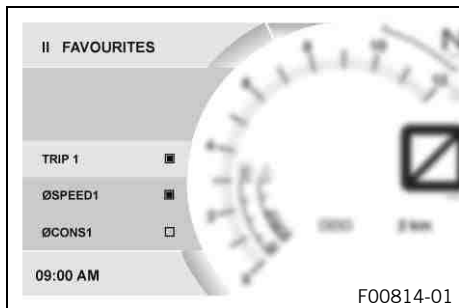
Info

The ABS can only be reactivated by switching on the ignition again. When the **Road** ABS mode is enabled, ABS controls both wheels.

Press and hold the **SET** button for 3-5 seconds.

Switching off ABS.

7.17.14 Favourites

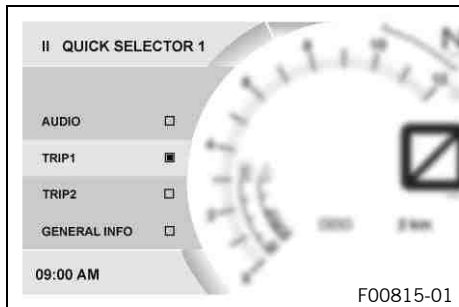


Condition

- The motorcycle is stationary.
- Press the **SET** button when the menu is closed.
- Press the **UP** or **DOWN** button until **Settings** is marked. Press the **SET** button to open the menu.
- Press the **UP** or **DOWN** button until **Favourites** is marked. Press the **SET** button to open the menu.
- Press the **UP** or **DOWN** button to activate the menu item and select it with the **SET** button.

Up to eight items of information can be selected in the **Favourites** menu.

7.17.15 Quick Selector 1



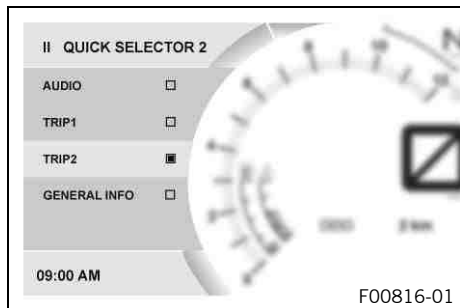
Condition

- The motorcycle is stationary.
- Press the **SET** button when the menu is closed.
- Press the **UP** or **DOWN** button until **Settings** is marked. Press the **SET** button to open the menu.
- Press the **UP** or **DOWN** button until **Quick Selector 1** is marked. Press the **SET** button to open the menu.
- Press the **UP** or **DOWN** button to activate the menu item and select it with the **SET** button.

Information can be selected in the **Quick Selector 1** menu.

When the menu is closed, the **Quick Selector 1** menu is opened by pressing the **UP** button.

7.17.16 Quick Selector 2



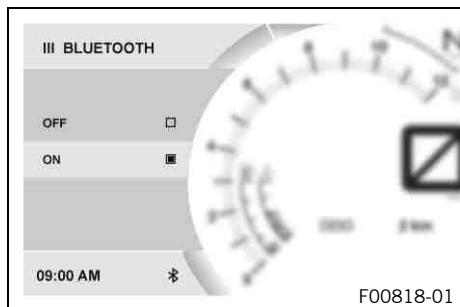
Condition

- The motorcycle is stationary.
- Press the **SET** button when the menu is closed.
- Press the **UP** or **DOWN** button until **Settings** is marked. Press the **SET** button to open the menu.
- Press the **UP** or **DOWN** button until **Quick Selector 2** is marked. Press the **SET** button to open the menu.
- Press the **UP** or **DOWN** button to activate the menu item and select it with the **SET** button.

Information can be selected in the **Quick Selector 2** menu.

When the menu is closed, the **Quick Selector 2** menu is opened by pressing the **DOWN** button.

7.17.17 Bluetooth



Condition

- The motorcycle is stationary.
- Press the **SET** button when the menu is closed.
- Press the **UP** or **DOWN** button until **Preferences** is marked. Press the **SET** button to open the menu.
- Press the **UP** or **DOWN** button until **Bluetooth** is marked. Press the **SET** button to open the menu.
- Activate the menu item using the **UP** or **DOWN** button.
- Press the **SET** button to switch the **Bluetooth®** function on or off.

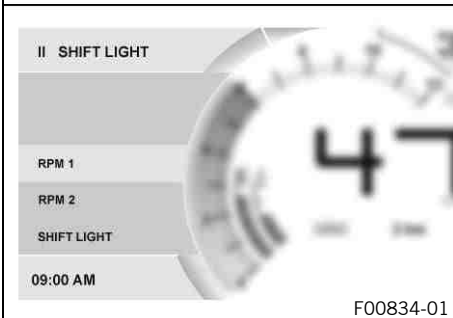
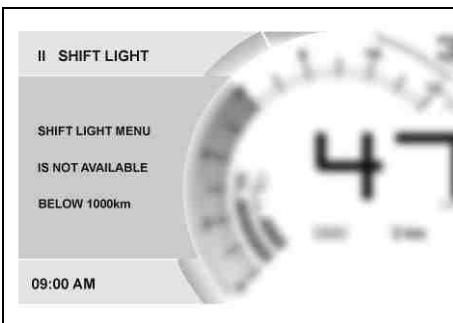


Info

The **Bluetooth®** function can only be used in conjunction with **KTM MY RIDE** (optional).

When the **Bluetooth®** function is switched on, the **Bluetooth®** symbol appears in the display of the combination instrument.

7.17.18 Shift Light



F00834-01

Condition

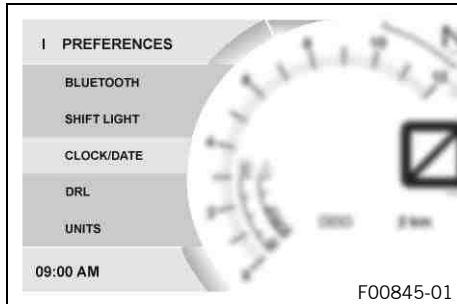
- The motorcycle is stationary.
- **ODO** > 1000 km (621 mi).
 - Press the **SET** button when the menu is closed.
 - Press the **UP** or **DOWN** button until **Preferences** is marked. Press the **SET** button to open the menu.
 - Press the **UP** or **DOWN** button until **Shift Light** is marked. Press the **SET** button to open the menu.
 - Activate the menu item using the **UP** or **DOWN** button.
 - Press the **SET** button to switch the shift warning light on or off and to adjust the engine speed for the gear shift recommendation.



Info

When the engine speed reaches **RPM 1**, the speed display lights up red.
When the engine speed reaches **RPM 2**, the speed display flashes red.

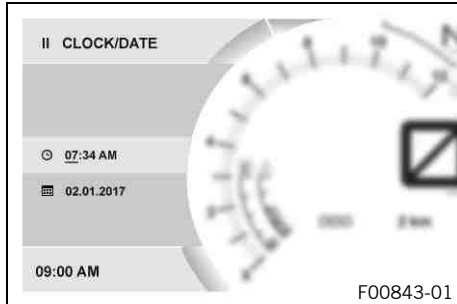
7.17.19 Setting the time and date



Condition

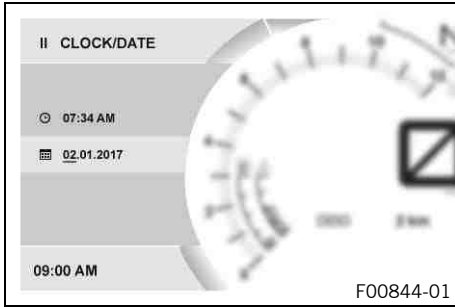
The motorcycle is stationary.

- Press the **SET** button when the menu is closed.
- Press the **UP** or **DOWN** button until **Preferences** appears. Press the **SET** button to open the menu.
- Press the **UP** or **DOWN** button until **Clock/Date** is marked. Press the **SET** button to open the menu.



Setting the clock

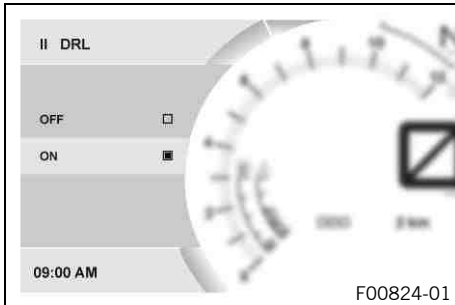
- Press the **UP** or **DOWN** button until the time is marked.
- Press the **SET** button.
 - ✓ The hour flashes and is underlined.
- Press the **UP** or **DOWN** button until the current hour is set.
- Press the **SET** button.
 - ✓ The minutes flash and are underlined.
- Press the **UP** or **DOWN** button until the current minute is set.
- Press the **SET** button.
 - ✓ The time is stored.



Setting the date

- Press the **UP** or **DOWN** button until the date is marked.
- Press the **SET** button.
 - ✓ The day flashes and is underlined.
- Press the **UP** or **DOWN** button until the current day is set.
- Press the **SET** button.
 - ✓ The month flashes and is underlined.
- Press the **UP** or **DOWN** button until the current month is set.
- Press the **SET** button.
 - ✓ The year flashes and is underlined.
- Press the **UP** or **DOWN** button until the current year is set.
- Press the **SET** button.
 - ✓ The date is stored.

7.17.20 DRL



Condition

- The motorcycle is stationary.
- Press the **SET** button when the menu is closed.
- Press the **UP** or **DOWN** button until **Preferences** is marked. Press the **SET** button to open the menu.



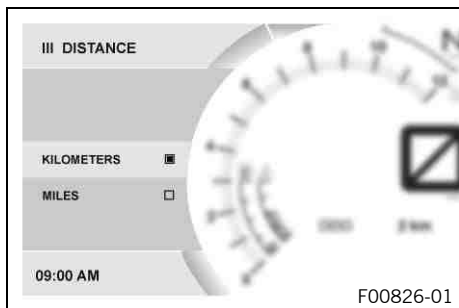
Warning

Danger of accidents When visibility is poor, the daytime running light is not a substitute for the low beam.

Automatic switching between the daytime running light and low beam may only be partially available when visibility is significantly impaired due to fog, snow or rain.

- Ensure that the appropriate type of lighting is always selected.
 - If necessary switch off the daytime running lights using the menu before going on a ride or when stopped so that the low beam is switched on permanently.
 - Note the legal regulations regarding the daytime running light.
-
- Press the **UP** or **DOWN** button until **DRL** is marked. Press the **SET** button to open the menu.
 - Activate the menu item using the **UP** or **DOWN** button.
 - Press the **SET** button to switch the daytime running light on or off.

7.17.21 Distance

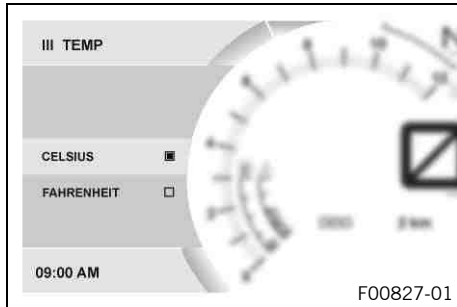


Condition

- The motorcycle is stationary.
- Press the **SET** button when the menu is closed.
- Press the **UP** or **DOWN** button until **Preferences** is marked. Press the **SET** button to open the menu.
- Press the **UP** or **DOWN** button until **Units** is marked. Press the **SET** button to open the menu.
- Press the **UP** or **DOWN** button until **Distance** is marked. Press the **SET** button to open the menu.

- Activate the menu item using the **UP** or **DOWN** button.
- Press the **SET** button to confirm the desired unit.

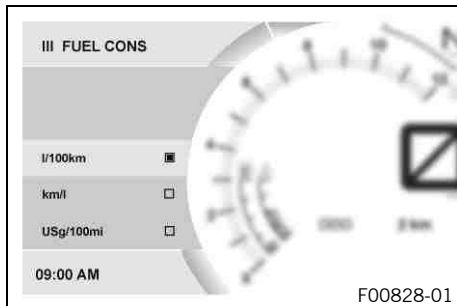
7.17.22 Temp



Condition

- The motorcycle is stationary.
- Press the **SET** button when the menu is closed.
- Press the **UP** or **DOWN** button until **Preferences** is marked. Press the **SET** button to open the menu.
- Press the **UP** or **DOWN** button until **Units** is marked. Press the **SET** button to open the menu.
- Press the **UP** or **DOWN** button until **Temp** is marked. Press the **SET** button to open the menu.
- Activate the menu item using the **UP** or **DOWN** button.
- Press the **SET** button to confirm the desired unit.

7.17.23 Fuel Cons

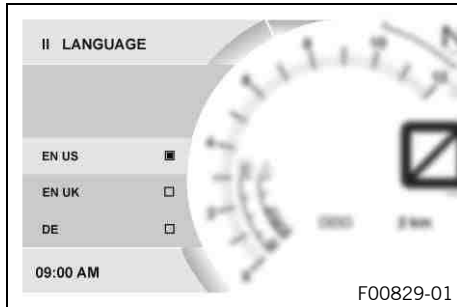


Condition

- The motorcycle is stationary.
- Press the **SET** button when the menu is closed.
- Press the **UP** or **DOWN** button until **Preferences** is marked. Press the **SET** button to open the menu.
- Press the **UP** or **DOWN** button until **Units** is marked. Press the **SET** button to open the menu.
- Press the **UP** or **DOWN** button until **Fuel Cons** is marked. Press the **SET** button to open the menu.
- Activate the menu item using the **UP** or **DOWN** button.

- Press the **SET** button to confirm the desired unit.

7.17.24 Language

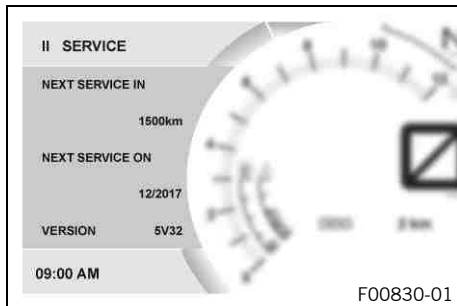


Condition

- The motorcycle is stationary.
- Press the **SET** button when the menu is closed.
- Press the **UP** or **DOWN** button until **Preferences** is marked. Press the **SET** button to open the menu.
- Press the **UP** or **DOWN** button until **Language** is marked. Press the **SET** button to open the menu.
- Press the **UP** or **DOWN** button to activate the menu item and select it with the **SET** button.

The menu languages are US English, UK English, German, Italian, French, and Spanish.

7.17.25 Service

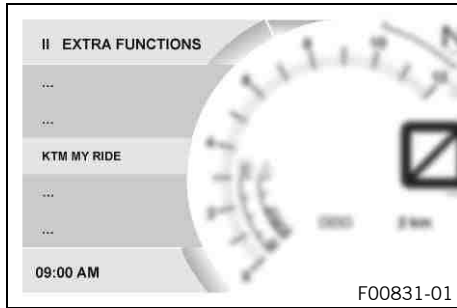


Condition

- The motorcycle is stationary.
- Press the **SET** button when the menu is closed.
- Press the **UP** or **DOWN** button until **Preferences** is marked. Press the **SET** button to open the menu.
- Press the **UP** or **DOWN** button until **Service** is marked. Press the **SET** button to open the menu.

The next service due is shown in the **Service** menu.

7.17.26 Extra Functions



Condition

- The motorcycle is stationary.
- Motorcycle with optional supplementary function.
- Press the **SET** button when the menu is closed.
- Press the **UP** or **DOWN** button until **Preferences** is marked. Press the **SET** button to open the menu.
- Press the **UP** or **DOWN** button until **Extra Functions** is marked. Press the **SET** button to open the menu.
- Use the **UP** or **DOWN** button to navigate through the extra functions.

The optional extra functions are listed in **Extra Functions**.



Info

The current **KTM PowerParts** and the available software for your vehicle can be found on the KTM website.

8.1 Advice on first use



Danger

Danger of accidents A rider who is not fit to ride poses a danger to him or herself and others.

- Do not operate the vehicle if you are not fit to ride due to alcohol, drugs or medication.
- Do not operate the vehicle if you are physically or mentally impaired.



Warning

Risk of injury Missing or poor protective clothing presents an increased safety risk.

- Wear appropriate protective clothing such as helmet, boots, gloves as well as trousers and a jacket with protectors on all rides.
- Always wear protective clothing that is in good condition and meets the legal regulations.



Warning

Danger of crashing Different tire tread patterns on the front and rear wheel impair the handling characteristic. Different tire tread patterns can make the vehicle significantly more difficult to control.

- Make sure that only tires with a similar tire tread pattern are fitted to the front and rear wheel.



Warning

Danger of accidents Non-approved or non-recommended tires and wheels impact the handling characteristic.

- Only use tires/wheels approved by KTM with the corresponding speed index.



Warning


Danger of accidents New tires have reduced road grip. The contact surface on new tires is not yet roughened.

- Run in new tires with moderate riding at alternating angles.
Running-in phase

200 km (124 mi)

Info

When using your vehicle, remember that others may feel disturbed by excessive noise.

- Make sure that the pre-delivery inspection work has been carried out by an authorized KTM workshop.
 - ✓ You receive a delivery certificate and the Service and Warranty Booklet at vehicle handover.
- Before your first trip, read the entire operating instructions carefully.
- Get to know the controls.
- Get used to handling the motorcycle on a suitable piece of land before making a longer trip. Try also to ride as slowly as possible to get a better feel for the vehicle.
- Hold the handlebar firmly with both hands and keep your feet on the footrests when riding.
- Run the engine in. ( p. 67)

8.2 Running in the engine

- During the running-in phase, do not exceed the specified engine speed.

Guideline

Maximum engine speed	
During the first: 1,000 km (620 mi)	7,500 rpm

Info

During the running-in phase, the shift warning light is set to a specified value and cannot be changed.

- Avoid fully opening the throttle!

8.3 Loading the vehicle



Warning

Danger of accidents Total weight and axle loads influence the handling characteristic.

The overall weight consists of: motorcycle ready for operation and with a full tank, driver and passenger with protective clothing and helmet, and luggage.

- Do not exceed the maximum permissible overall weight or the axle loads.



Warning

Danger of accidents Improper mounting of cases or the tank rucksack impairs the handling characteristic.

- Mount and secure cases and tank rucksack according to the manufacturer's instructions.



Warning

Danger of accidents The luggage system will be damaged if it is overloaded.

- Read the manufacturer information on maximum payload when mounting cases.



Warning

Danger of accidents Luggage which has slipped impairs visibility.

If the tail light is covered, you are less visible to traffic behind you, especially when it is dark.

- Check that your luggage is fixed properly at regular intervals.



Warning

Danger of accidents A high payload alters the handling characteristic and increases the stopping distance.

- Adapt your speed to your payload.



Warning

Danger of accidents Pieces of luggage which have slipped impair the handling characteristic.

- Check that your luggage is fixed properly at regular intervals.

8 PREPARING FOR USE

- If you carry any baggage, make sure it is fixed firmly as close as possible to the center of the vehicle and ensure even weight distribution between the front and rear wheels.
- Do not exceed the overall maximum permitted weight and the axle loads.

Guideline

Maximum permissible overall weight	355 kg (783 lb.)
Maximum permissible front axle load	127 kg (280 lb.)
Maximum permissible rear axle load	228 kg (503 lb.)

9.1 Checks and maintenance when preparing for use

i **Info**
Before every trip, check the condition of the vehicle and ensure that it is roadworthy.
The vehicle must be in perfect technical condition when used.

- Check the engine oil level. (📖 p. 156)
- Check the brake fluid level of the front brake. (📖 p. 106)
- Check the rear brake fluid level. (📖 p. 112)
- Check the front brake linings. (📖 p. 109)
- Check the brake linings of the rear brake. (📖 p. 116)
- Check the brake system function.
- Check the coolant level. (📖 p. 146)
- Check for chain dirt accumulation. (📖 p. 94)
- Check the chain tension. (📖 p. 96)
- Check the tire condition. (📖 p. 125)
- Check the tire air pressure. (📖 p. 127)
- Check the settings of all controls and ensure that they can be operated smoothly.
- Check the functioning of the electrical equipment.
- Check that baggage is correctly secured.
- Sit on the motorcycle and check the rear mirror setting.
- Check the fuel level.

9.2 Starting



Danger

Danger of poisoning Exhaust gases are toxic and inhaling them may result in unconsciousness and death.

- Always make sure there is sufficient ventilation when running the engine.
- Use an effective exhaust extraction system when starting or running the engine in an enclosed space.



Caution

Danger of accidents Electronic components and safety devices will be damaged if the battery is discharged or missing.

- Never operate the vehicle with a discharged battery or without a battery.

Note

Engine damage Unfiltered intake air has a negative effect on the service life of the engine.

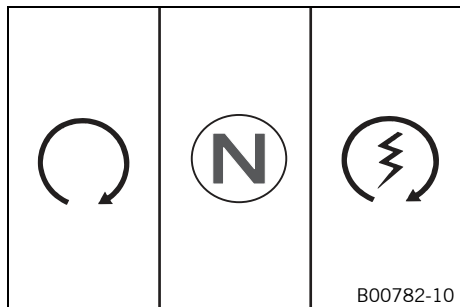
Dust and dirt will enter the engine without an air filter.

- Never start to use the vehicle without an air filter.

Note

Engine damage High revving speed with a cold engine negatively impacts the lifespan of the engine.

- Always run the engine warm at a low speed.
-



- Unlock the steering. (🔓 p. 28)
- Sit on the vehicle, take the weight off of the side stand, and move up all the way.
- Turn the emergency OFF switch to the position ○.
- Switch on the ignition by turning the ignition key to the position ○.
 - ✓ After you switch on the ignition, you can hear the fuel pump working for about two seconds. The function check of the combination instrument is run at the same time.
- Shift gear to neutral.
 - ✓ The green idle indicator lamp **N** lights up.
 - ✓ The ABS indicator lamp lights up and goes back out after starting off.
- Press the electric starter button (🔌).

i Info

Do not press the electric starter button until the combination instrument function check is finished.


When starting, **DO NOT** open the throttle. If you open the throttle during the starting procedure, fuel is not injected by the engine management system and the engine cannot start.

Press the starter for a maximum of 5 seconds. Wait for a least 5 seconds before trying again.

This motorcycle is equipped with a safety starting system. You can only start the engine if the transmission is in neutral or if the clutch lever is pulled when a gear is engaged. If the side stand is folded out and you shift into gear and release the clutch, the engine stops.

9.3 Starting off


- Pull the clutch lever, engage 1st gear, release the clutch lever slowly, and simultaneously open the throttle carefully.

 **Tip** If the engine dies while starting off, only pull the clutch lever and press the electric starter button. You do not need to shift into neutral.


9.4 Shifting, riding

 **Warning**
Danger of accidents Abrupt load alterations can cause the vehicle to get out of control.


- Avoid abrupt load alterations and sudden braking actions.
- Adapt your speed to the road conditions.

 **Warning**
Danger of accidents If you change down at high engine speed, the rear wheel blocks and the engine races.

- Do not change into a low gear at high engine speed.

 **Warning**
Danger of accidents An incorrect ignition key position causes malfunctions.

- Do not change the ignition key position while driving.

 **Warning**
Danger of accidents Adjustments to the vehicle distract attention from traffic activity.

- Make all adjustments when the vehicle is at a standstill.



Warning

Risk of injury The passenger may fall from the motorcycle if they conduct themselves incorrectly.

- Ensure that the passenger sits correctly on the passenger seat, places his or her feet on the passenger foot rest and holds on to the rider or the grab handles.
- Note the regulations governing the minimum age of passengers in your country.



Warning

Danger of accidents A risky riding style constitutes a major risk.

- Comply with traffic regulations and ride defensively and with foresight to detect sources of danger as early as possible.



Warning

Danger of accidents Cold tires have reduced road grip.

- Ride the first miles carefully on every journey at moderate speed until the tires reach operating temperature.



Warning

Danger of accidents New tires have reduced road grip.

The contact surface on new tires is not yet roughened.

- Run in new tires with moderate riding at alternating angles.
Running-in phase 200 km (124 mi)



Warning

Danger of accidents Pieces of luggage which have slipped impair the handling characteristic.

- Check that your luggage is fixed properly at regular intervals.



Warning

Danger of accidents A fall can damage the vehicle more seriously than it may first appear.

- Check the vehicle after a fall as you do when preparing for use.

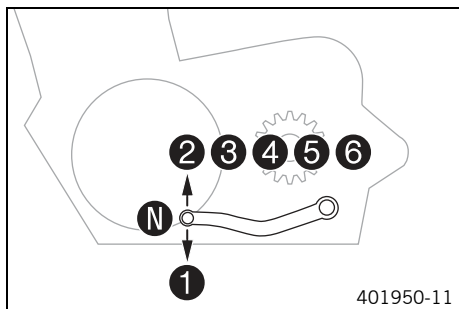
Note

Engine failure Overheating damages the engine.

- If the coolant temperature warning is displayed, stop immediately and take care not to endanger yourself or other traffic participants in the process.
- Allow the engine and cooling system to cool down.
- Check and, if necessary, correct the coolant level on the cooling system while it is in a cooled state.

Info

If you hear unusual noises while riding, stop immediately, switch off the engine and contact an authorized KTM workshop.






- Shift into a higher gear when conditions allow (incline, road situation, etc.).
- Release the throttle while simultaneously pulling the clutch lever, shift into the next gear, release the clutch lever, and open the throttle.

Info

You can see the positions of the 6 forward gears in the figure. The idle position is between the first and second gears. First gear is used for starting off or for steep inclines.

- Accelerate only up to a speed suitable for the road surface and weather conditions. Particularly in bends, do not shift, and accelerate very carefully.
- Brake if necessary and close the throttle at the same time in order to shift down.
- Pull the clutch lever and shift into a lower gear, release the clutch lever slowly, and open the throttle or shift again.
- Switch off the engine if running at idle or standing for a long time.
- If the malfunction indicator lamp lights up while riding, stop immediately taking care not to endanger yourself or other road users in the process.

- After reaching maximum speed by fully opening the throttle grip, turn the throttle back so it is $\frac{3}{4}$ open. This will barely reduce the speed but fuel consumption will be considerably lower.
- Accelerate only up to a speed suitable for the road surface and weather conditions. Particularly in bends, do not shift, and accelerate very carefully.
- Brake if necessary and close the throttle at the same time in order to shift down.
- Pull the clutch lever and shift into a lower gear, release the clutch lever slowly, and open the throttle or shift again.
- If the engine stalls (e.g. at a crossroads), just pull the clutch lever and press the electric starter button. You do not have to shift into neutral.
- If the oil pressure warning lamp  lights up during a trip, stop immediately and switch off the engine. Contact an authorized KTM workshop.
- If the malfunction indicator lamp  lights up during a trip, please contact an authorized KTM workshop as soon as possible.
- If the general warning lamp  lights up during a trip, an operating safety (warning) message was detected.



Info

All warnings which have occurred are displayed and stored in the **Warning** menu until these are no longer active.

9.5 Applying the brakes



Warning

Danger of accidents Moisture and dirt impair the brake system.

- Brake carefully several times to dry out and remove dirt from the brake linings and the brake discs.



Warning

Danger of accidents A spongy pressure point on the front or rear brake reduces braking efficiency.

- Check the brake system and do not continue riding until the problem is eliminated. (Your authorized KTM workshop will be glad to help.)



Warning

Danger of accidents The brake system fails in the event of overheating.

If the foot brake lever is not released, the brake linings drag continuously.

- Take your foot off the foot brake lever when you are not braking.



Warning

Danger of accidents Higher total weight increases the stopping distance.

- Take the longer stopping distance into account when carrying a passenger or luggage with you.



Warning

Danger of accidents Salt on the roads impairs the brake system.

- Brake carefully several times to remove salt from the brake linings and the brake discs.
-



Warning

Danger of accidents ABS may increase the stopping distance in certain situations.

- Adjust application of the brakes to the respective riding situation and riding surface conditions.



Warning

Danger of accidents Excessively forceful application of the brakes blocks the wheels.

The ABS effectiveness is only ensured if it is switched on.

- Leave the ABS switched on in order to benefit from the protective effect.
-

- When braking, release the throttle and apply the front and rear brakes at the same time.



Info

When the ABS is enabled, you can achieve maximum braking power even on low grip surfaces such as sandy, wet, or slippery terrain without locking of the wheels.



Warning

Danger of accidents The rear wheel can lock due to the engine braking effect.

- Pull in the clutch, if you perform emergency or full braking, or if you brake on a slippery ground.



Warning

Danger of accidents Banked or laterally sloping ground reduces the maximum possible delay.

- If possible finish braking before going into a bend.

- Always finish braking before you go into a bend. Change down to a lower gear appropriate to your road speed.
- Use the braking effect of the engine on long downhill stretches. Change down one or two gears, but do not over-rev the engine. In this way, you have to brake far less and the brakes do not overheat.

9.6 Stopping, parking



Warning

Risk of injury People who act without authorization endanger themselves and others.

- Do not leave the vehicle unattended if the engine is running.
- Protect the vehicle against access by unauthorized persons.
- Lock the steering and remove the ignition key if you leave the vehicle unattended.



Warning

Danger of burns Some vehicle components become very hot when the vehicle is operated.

- Do not touch any parts such as the exhaust system, radiator, engine, shock absorber, or brake system before the vehicle parts have cooled down.
- Let the vehicle parts cool down before you perform any work on the vehicle.

Note

Material damage The vehicle may be damaged by incorrect procedure when parking. Significant damage may be caused if the vehicle rolls away or falls over. The components for parking the vehicle are designed only for the weight of the vehicle.

- Park the vehicle on a firm and level surface.
- Ensure that nobody sits on the vehicle when the vehicle is parked on a stand.

Note

Fire hazard Hot vehicle components pose a fire hazard and explosion risk.

- Do not park the vehicle near to materials which are highly flammable or explosive.
- Allow the vehicle to cool down before covering it.

-
- Apply the brakes on the motorcycle.
 - Shift gear to neutral.
 - Switch off the ignition by turning the ignition key to the position ☒.

Info

If the engine is switched off with the emergency OFF switch and the ignition remains switched on at the ignition lock, power continues to flow to most power consumers and the battery will discharge. You should therefore always switch off the engine with the ignition key – the emergency OFF switch is intended for emergencies only.

-
- Park the motorcycle on a firm surface.
 - Swing the side stand forward with your foot as far as it will go and lean the vehicle on it.
 - Lock the steering. (📖 p. 27)

9.7 Transport

Note

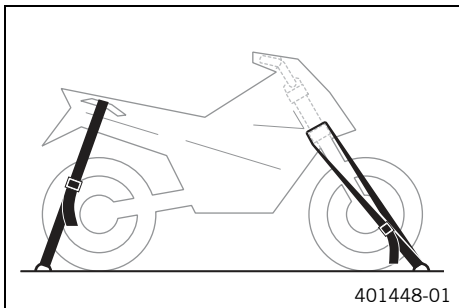
Danger of damage The parked vehicle can roll away or fall over.

- Park the vehicle on a firm and level surface.

Note

Fire hazard Hot vehicle components pose a fire hazard and explosion risk.

- Do not park the vehicle near to materials which are highly flammable or explosive.
- Allow the vehicle to cool down before covering it.



- Switch off the engine and remove the ignition key.
- Use tension belts or other suitable devices to secure the motorcycle against accidents or falling over.

9.8 Refueling



Danger

Fire hazard Fuel is highly flammable.

The fuel in the fuel tank expands when warm and can escape if overfilled.

- Do not refuel the vehicle in the vicinity of open flames or lit cigarettes.
- Switch off the engine for refueling.
- Make sure that no fuel is spilled; particularly not on hot parts of the vehicle.
- If any fuel is spilled, wipe it off immediately.
- Observe the specifications for refueling.



Warning

Danger of poisoning Fuel is poisonous and a health hazard.

- Avoid skin, eye and clothing contact with fuel.
- Immediately consult a doctor if you swallow fuel.
- Do not inhale fuel vapors.
- In case of skin contact, rinse the affected area with plenty of water.
- Rinse the eyes thoroughly with water, and consult a doctor in case of fuel contact with the eyes.
- Change your clothing in case of fuel spills on them.

Note

Material damage Inadequate fuel quality causes the fuel filter to quickly become clogged.

In some countries and regions, the available fuel quality and cleanliness may not be sufficient. This will result in problems with the fuel system.

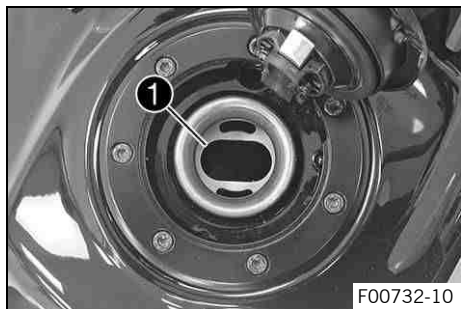
- Refuel only with clean fuel that meets the specified standards. (Your authorized KTM workshop will be glad to help.)



Warning

Environmental hazard Improper handling of fuel is a danger to the environment.

- Do not allow fuel to enter the groundwater, the soil, or the sewage system.



- Switch off the engine.
- Open the filler cap. (📖 p. 28)
- Fill the fuel tank with fuel up to the lower edge ❶ of the fuel filler.

Total fuel tank capacity, approx.	13.5 l (3.57 US gal)	Super unleaded (ROZ 95/RON 95/PON 91) (📖 p. 187)
-----------------------------------	-------------------------	--

- Close the filler cap. (📖 p. 30)

10.1 Additional information

Any further work that results from the required work or from the recommended work must be ordered separately and invoiced separately. Different service intervals may apply in your country, depending on the local operating conditions.

10.2 Required work

	Every two years				
	Every year				
	every 15,000 km (9,300 mi)				
	every 7,500 km (4,650 mi)				
	after 1,000 km (620 mi)				
Read out the fault memory using the KTM diagnostics tool. 🛠️	○	●	●	●	●
Check that the electrical system is functioning properly. 🛠️	○	●	●	●	●
Change the engine oil and oil filter, clean the oil screen. 🛠️ (📖 p. 156)	○	●	●	●	●
Check the brake discs. (📖 p. 105)	○	●	●	●	●
Check the front brake linings. (📖 p. 109)	○	●	●	●	●
Check the brake linings of the rear brake. (📖 p. 116)	○	●	●	●	●
Check the brake lines for damage and leakage. 🛠️	○	●	●	●	●
Check the brake fluid level of the front brake. (📖 p. 106)	○	●	●	●	
Check the rear brake fluid level. (📖 p. 112)	○	●	●	●	
Check the tire condition. (📖 p. 125)	○	●	●	●	●
Check the tire air pressure. (📖 p. 127)	○	●	●	●	●
Check the shock absorber and fork for leaks. 🛠️	○	●	●	●	●
Clean the dust boots of the fork legs. (📖 p. 91)		●	●		
Check the chain, rear sprocket, and engine sprocket. (📖 p. 99)		●	●	●	●

10 SERVICE SCHEDULE

	Every two years				
	Every year				
	every 15,000 km (9,300 mi)				
	every 7,500 km (4,650 mi)				
	after 1,000 km (620 mi)				
Check the chain tension. (📖 p. 96)	○	●	●	●	●
Check the coolant level. (📖 p. 146)	○	●	●	●	●
Check that the radiator fan is functioning properly. 🛠️	○	●	●	●	●
Change the air filter. Clean the air filter box. 🛠️		●	●		
Check that the throttle cables are undamaged, routed without sharp bends, and set correctly. 🛠️	○	●	●	●	●
Check the cables for damage and routing without sharp bends. 🛠️	○	●	●	●	●
Check the valve clearance. 🛠️	○				
Check the valve clearance, change the spark plugs. 🛠️			●		
Change the front brake fluid. 🛠️					●
Change the rear brake fluid. 🛠️					●
Check the play of the steering head bearing. 🛠️	○	●	●	●	●
Check the headlight setting. (📖 p. 139)	○	●	●		
Final check: Check the vehicle is roadworthy and take a test ride. 🛠️	○	●	●	●	●
Read out the error memory after the test ride using the KTM diagnostics tool. 🛠️	○	●	●	●	●
Reset the service interval display. 🛠️	○	●	●	●	●
Make the service entry in the KTM Dealer.net and in the Service and Warranty Booklet. 🛠️	○	●	●	●	●

- One-time interval
- Periodic interval

10.3 Recommended work

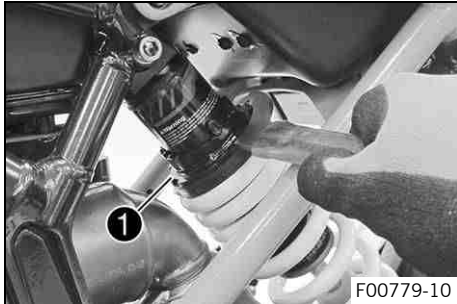
		Every four years			
		Every year			
		every 30,000 km (18,600 mi)			
		every 7,500 km (4,650 mi)			
		after 1,000 km (620 mi)			
Check the frame. 🛠️			•		
Check the swingarm. 🛠️			•		
Check the swingarm bearing. 🛠️		•	•		
Check the wheel bearings. 🛠️		•	•		
Check the antifreeze. 🛠️	○	•	•	•	
Change the coolant. 🛠️					•
Empty the drainage hoses. 🛠️	○	•	•	•	•
Check all hoses (e.g. fuel, coolant, bleeder, drainage, etc.) and sleeves for cracking, leaks, and incorrect routing. 🛠️	○	•	•	•	•
Grease all moving parts (e.g., side stand, hand lever, chain, ...) and check for smooth operation. 🛠️	○	•	•	•	•
Check the screws and nuts for tightness. 🛠️	○	•	•	•	•

- One-time interval
- Periodic interval

11.1 Adjusting the spring pretension of the shock absorber ↴

- Warning**
Danger of accidents Modifications to the suspension settings can seriously alter the vehicle's ride behavior.
- Following modifications, ride slowly at first to get the feel of the new ride behavior.

- Info**
The spring pretension defines the initial status of the spring operation on the shock absorber. The best spring pretension setting is achieved when it is set for the weight of the rider and that of any baggage and a passenger, thus ensuring an ideal compromise between maneuverability and stability.



- Adjust the spring pretension by turning adjusting ring ①.

Guideline

Spring preload	
Standard	3 clicks
Hook wrench, shock absorber (90529077000)	
Extension for hook wrench (90129099025)	

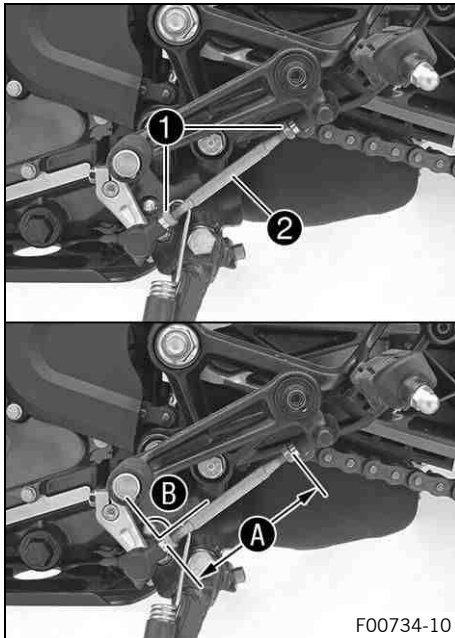
- Info**
The spring pretension can be set to 10 different positions.

11.2 Adjusting the shift lever



Info

The adjustment range of the shift lever is limited.



- Loosen nuts **1**.
- Adjust the shift lever by turning shift rod **2**.

Guideline

Shift rod adjustment range A	90... 102 mm (3.54... 4.02 in)
-------------------------------------	--------------------------------



Info

Make the same adjustments on both sides.
At least five screw threads must be screwed into the seating.

- Check adjusting angle **B**.

Guideline

Adjusting angle B shift rod - bell crank - shift lever	90°
---	-----

- Tighten nuts **1**.



Info

After the nuts have been tightened, the bearings of the shift rod must be central and aligned identically to each other in order to ensure freedom of movement in the bearing shells.

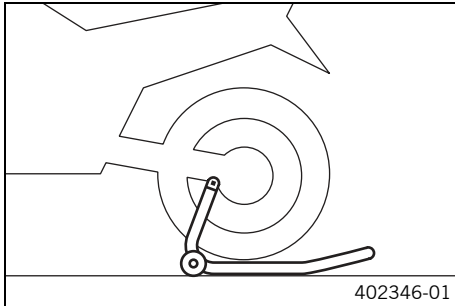
- Check the shift lever to ensure it is functioning properly and can move freely.

12.1 Raising the motorcycle with the rear lifting gear

Note

Danger of damage The parked vehicle can roll away or fall over.

- Park the vehicle on a firm and level surface.



- Mount the supports of the lifting gear.
- Insert the adapter in the rear lifting gear.

Retaining adapter (61029955244)

Lifting gear, rear (69329955000)

- Stand the motorcycle upright, align the lifting gear with the swingarm and the adapters, and lift the motorcycle.

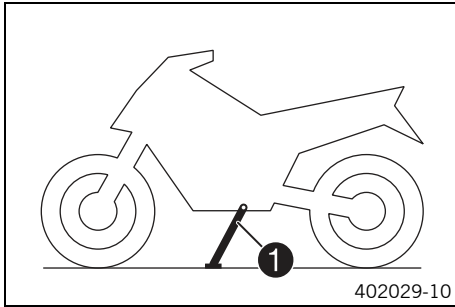
12.2 Removing the rear of the motorcycle from the lifting gear

Note

Danger of damage The parked vehicle can roll away or fall over.

- Park the vehicle on a firm and level surface.

12 SERVICE WORK ON THE CHASSIS



- Secure the motorcycle against falling over.
- Remove the rear lifting gear and lean the vehicle on side stand ①.
- Remove bushings kit.

12.3 Lifting the motorcycle with the front lifting gear

Note

Danger of damage The parked vehicle can roll away or fall over.

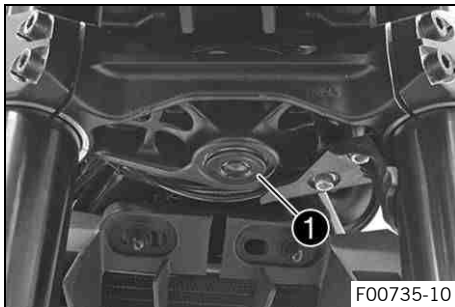
- Park the vehicle on a firm and level surface.

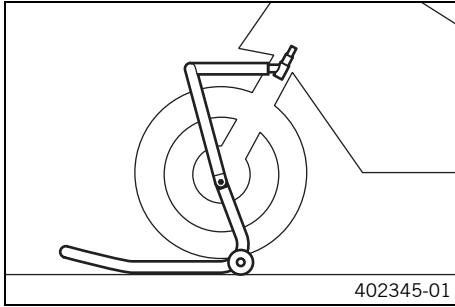
Preparatory work

- Raise the motorcycle with the rear lifting gear. (📖 p. 88)

Condition

- Remove protection cap ①.





- Move the handlebar to the straight-ahead position. Position the lifting gear.

Mounting pin (69329965030)

Lifting gear, front (69329965000)

**Info**

Always raise the motorcycle at the rear first.

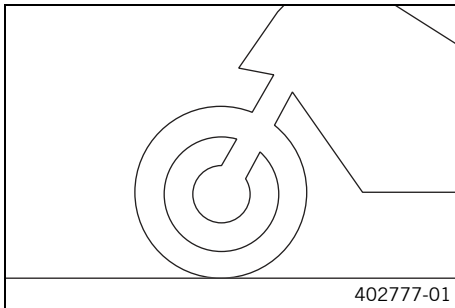
- Raise the motorcycle at the front.

12.4 Taking the motorcycle from the front lifting gear

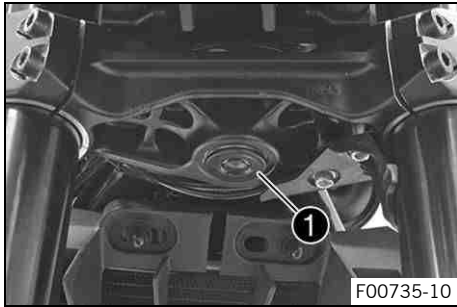
Note

Danger of damage The parked vehicle can roll away or fall over.

- Park the vehicle on a firm and level surface.

**Main work**

- Secure the motorcycle against falling over.
- Remove the front lifting gear.



- Mount protection cap ①.

Finishing work

- Remove the rear of the motorcycle from the lifting gear. (🛠 p. 88)

12.5 Cleaning the dust boots of the fork legs

Preparatory work

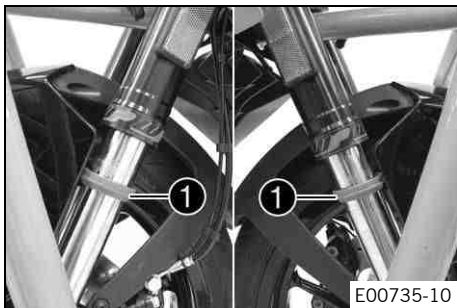
- Raise the motorcycle with the rear lifting gear. (🛠 p. 88)
- Lift the motorcycle with the front lifting gear. (🛠 p. 89)

Main work

- Push dust boots ① of both fork legs downward.

i Info

The dust boots should remove dust and coarse dirt particles from the fork tubes. Over time, dirt can accumulate behind the dust boots. If this dirt is not removed, the oil seals behind can start to leak.





Warning

Danger of accidents Oil or grease on the brake discs reduces the braking effect.

- Always keep the brake discs free of oil and grease.
- Clean the brake discs with brake cleaner when necessary.

- Clean and oil the dust boots and inner fork tubes of both fork legs.

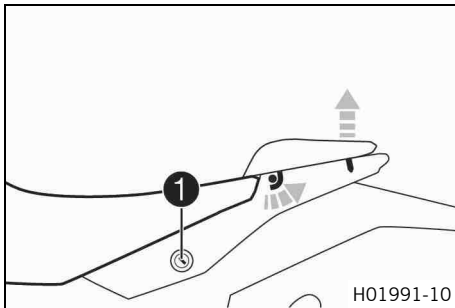
Universal oil spray (📖 p. 189)

- Press the dust boots back into their installation position.
- Remove excess oil.

Finishing work

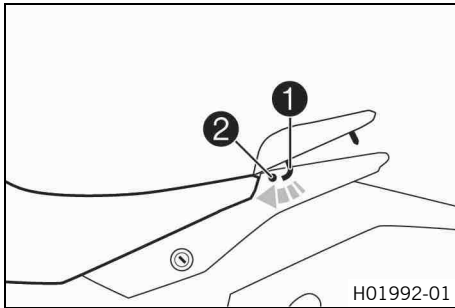
- Take the motorcycle from the front lifting gear. (📖 p. 90)
- Remove the rear of the motorcycle from the lifting gear. (📖 p. 88)

12.6 Removing the passenger seat



- Insert the ignition key in seat lock **1** and turn it clockwise.
- Raise the rear of the seat, push it towards the rear, and remove it upwards.
- Remove the ignition key from the seat lock.

12.7 Mounting the passenger seat



- Attach hooks **1** on the passenger seat to seat mounting **2** on the subframe, and lower it at the rear while pushing forward.
- Press down the passenger seat until it clicks into place.

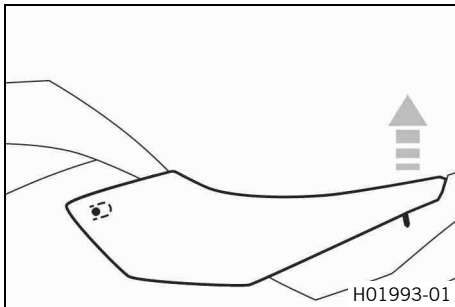


Warning

Danger of accidents The passenger seat can come loose from the anchoring if it is not mounted correctly.

- After mounting the passenger seat, check that it is locked correctly by pulling up.
-
- Finally, check that the passenger seat is correctly mounted.

12.8 Removing the front rider's seat



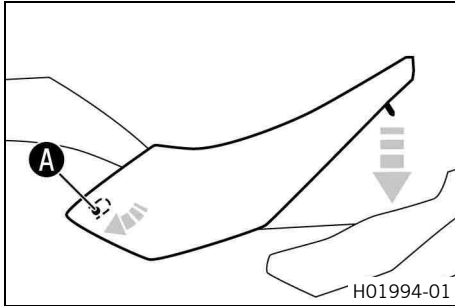
Preparatory work

- Remove the passenger seat. (📖 p. 92)

Main work

- Raise the rear of the front rider's seat, pull it towards the rear, and remove it upwards.

12.9 Mounting the front rider's seat



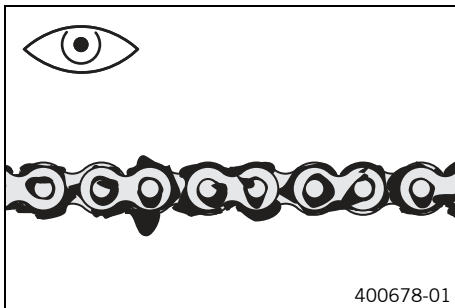
Main work

- Attach the front rider's seat in area **A** and lower at the rear.
- Finally, check that the driver's seat is correctly mounted.

Finishing work

- Mount the passenger seat. (📖 p. 93)

12.10 Checking for chain dirt accumulation



- Check the chain for coarse dirt accumulation.
 - » If the chain is very dirty:
 - Clean the chain. (📖 p. 95)

12.11 Cleaning the chain



Warning

Danger of accidents Oil or grease on the tires reduces the road grip.

- Remove the lubricant from the tires using a suitable cleaning agent.



Warning

Danger of accidents Oil or grease on the brake discs reduces the braking effect.

- Always keep the brake discs free of oil and grease.
- Clean the brake discs with brake cleaner when necessary.



Warning

Environmental hazard Hazardous substances cause environmental damage.

- Dispose of oils, grease, filters, fuel, cleaning agents, brake fluid, etc., correctly and in compliance with the applicable regulations.

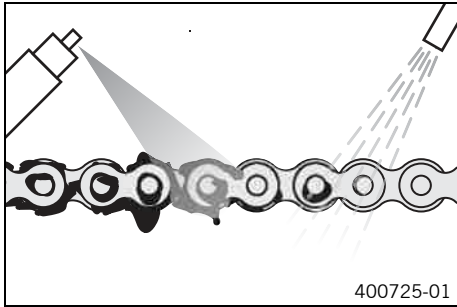


Info

The service life of the chain depends largely on its maintenance.

Preparatory work

- Raise the motorcycle with the rear lifting gear. (📖 p. 88)



Main work

- Clean the chain regularly.
- Rinse off loose dirt with a soft jet of water.
- Remove old grease remains with chain cleaner.

Chain cleaner (📖 p. 188)

- After drying, apply chain spray.

Chain lube for road use (📖 p. 188)

Finishing work

- Remove the rear of the motorcycle from the lifting gear. (📖 p. 88)

12.12 Checking the chain tension



Warning

Danger of accidents Incorrect chain tension damages components and results in accidents.

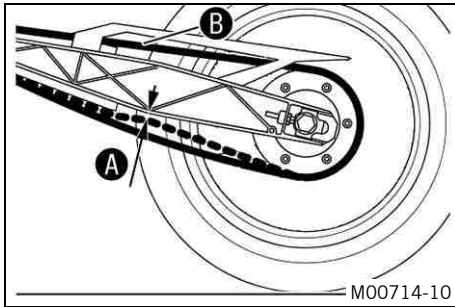
If the chain is tensioned too much, the chain, engine sprocket, rear sprocket, transmission and rear wheel bearings wear more quickly. Some components may break if overloaded.

If the chain is too loose, the chain may fall off the engine sprocket or the rear sprocket. As a result, the rear wheel locks or the engine will be damaged.

- Check the chain tension regularly.
- Set the chain tension in accordance with the specification.

Preparatory work

- Raise the motorcycle with the rear lifting gear. (📖 p. 88)



Main work

- Shift gear to neutral.
- In the area of the chain sliding guard, press the chain upward toward the swingarm and determine chain tension **A**.

Info

The upper part of chain **B** must be taut. Chain wear is not always even, so you should repeat this measurement at different chain positions.

Chain tension	5... 7 mm (0.2... 0.28 in)
---------------	----------------------------

- » If the chain tension does not meet the specification:
 - Adjust the chain tension. (🔧 p. 97)
- Remove the rear of the motorcycle from the lifting gear. (🔧 p. 88)

12.13 Adjusting the chain tension



Warning

Danger of accidents Incorrect chain tension damages components and results in accidents.

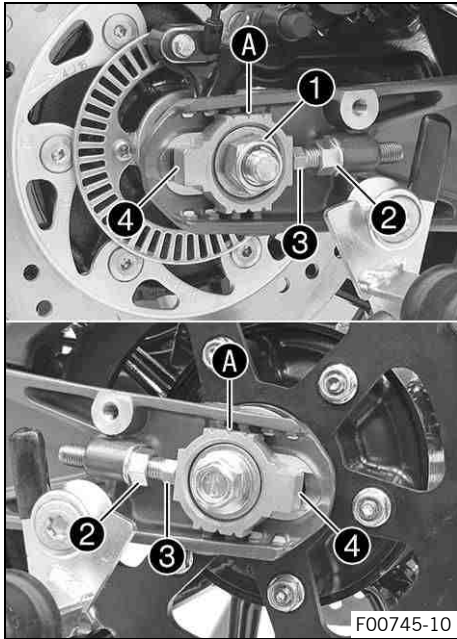
If the chain is tensioned too much, the chain, engine sprocket, rear sprocket, transmission and rear wheel bearings wear more quickly. Some components may break if overloaded.

If the chain is too loose, the chain may fall off the engine sprocket or the rear sprocket. As a result, the rear wheel locks or the engine will be damaged.

- Check the chain tension regularly.
- Set the chain tension in accordance with the specification.

Preparatory work

- Raise the motorcycle with the rear lifting gear. (🔧 p. 88)



- Check the chain tension. (📖 p. 96)

Main work

- Loosen nut ①.
- Loosen nuts ②.
- Adjust the chain tension by turning adjusting screws ③ left and right.

Guideline

Chain tension	5... 7 mm (0.2... 0.28 in)
Turn the adjusting screws ③ on the left and right so that the markings on the left and right chain adjusters ④ are in the same position relative to the reference marks A. The rear wheel is then correctly aligned.	

i Info

The upper part of the chain must be taut.
Chain wear is not always even, so you should check the setting at different chain positions.

- Tighten nuts ②.
- Make sure that chain adjusters ④ are fitted correctly on adjusting screws ③.
- Tighten nut ①.

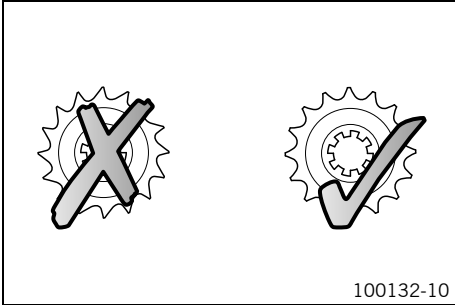
Guideline

Nut, rear wheel spindle	M14x1.5	98 Nm (72.3 lbf ft)
-------------------------	---------	------------------------

Finishing work

- Remove the rear of the motorcycle from the lifting gear. (📖 p. 88)

12.14 Checking the chain, rear sprocket, and engine sprocket



Preparatory work

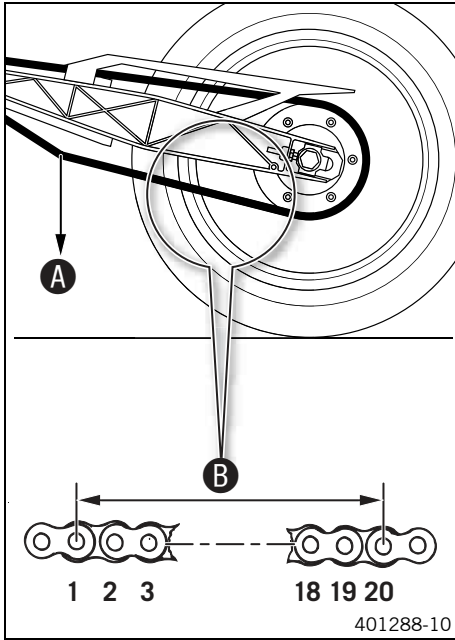
- Raise the motorcycle with the rear lifting gear. (📖 p. 88)

Main work

- Check the rear sprocket and engine sprocket for wear.
 - » If the rear sprocket and engine sprocket are worn:
 - Change the drivetrain kit. 🛠️

Info

The engine sprocket, rear sprocket and chain should always be replaced together.



- Shift gear to neutral.
- Pull the lower chain section with specified weight **A**.

Guideline

Weight, chain wear measurement	15 kg (33 lb.)
--------------------------------	----------------

- Measure distance **B** of 20 chain rollers in the lower chain section.

i Info

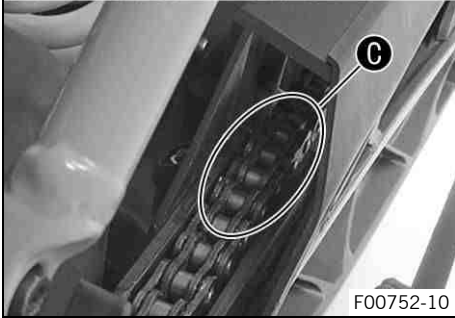
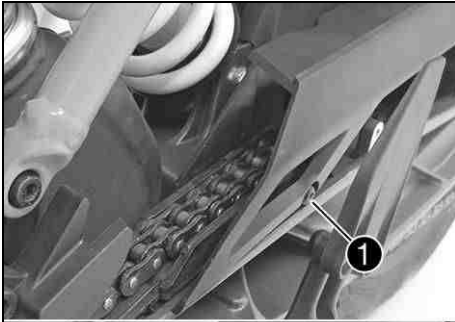
Chain wear is not always even, so you should repeat this measurement at different chain positions.

Maximum distance B at the longest chain section	301.6 mm (11.874 in)
--	----------------------

- » If distance **B** is greater than the specified measurement:
 - Change the power set. 🛠️

i Info

When a new chain is mounted, the rear sprocket and engine sprocket should also be changed.
New chains wear out faster on old, worn sprockets.



- Check the chain sliding guard for wear.
 - » If in area **C** by the chain sliding guard screw **1** is visible from above:
 - Change the chain sliding guard. 🛠️
- Check that the chain sliding guard is firmly seated.
 - » If the chain sliding guard is loose:
 - Tighten the screw of the chain sliding guard.

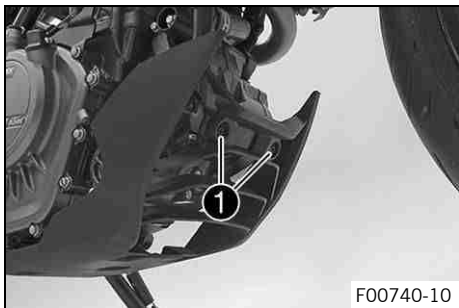
Guideline

Screw, chain sliding guard	M6	7 Nm (5.2 lbf ft)
----------------------------	----	-------------------

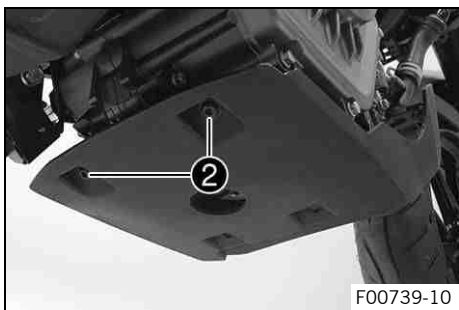
Finishing work

- Remove the rear of the motorcycle from the lifting gear. (📖 p. 88)

12.15 Removing the front spoiler

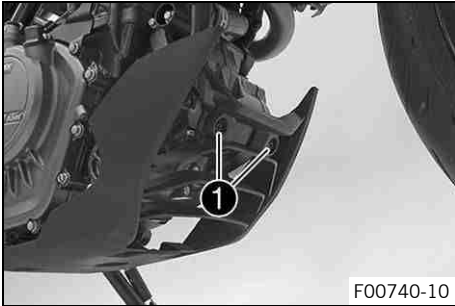


- Remove screws ①.

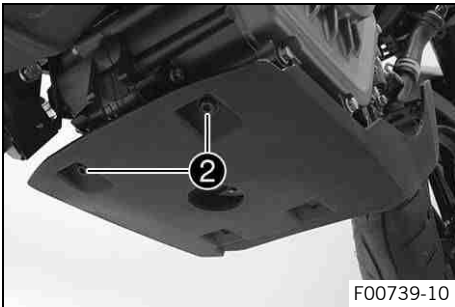


- Remove screws ②.
- Take off the front spoiler.

12.16 Fitting front spoiler



- Position the front spoiler. Mount screws ❶ but do not tighten yet.



- Mount and tighten screws ❷.

Guideline

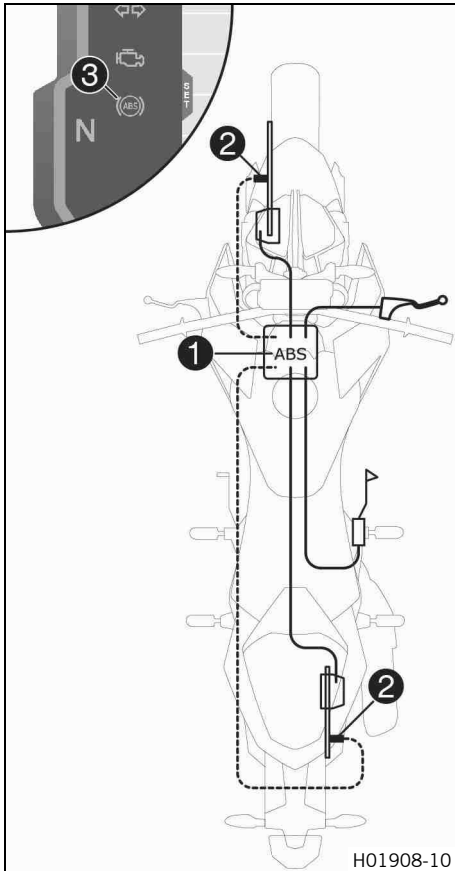
Screw, front spoiler rear	M6x9	9 Nm (6.6 lbf ft)
---------------------------	------	-------------------

- Tighten screws ❶.

Guideline

Screw, front spoiler front	M6x13	9 Nm (6.6 lbf ft)
----------------------------	-------	-------------------

13.1 Antilock braking system (ABS)



ABS unit ❶, which consists of a hydraulic unit, ABS control unit, and return pump, is installed under the fuel tank. One wheel speed sensor ❷ is located in each case on the front and the rear wheel.



Warning

Danger of accidents Changes to the vehicle impair the function of the ABS.

- Only allow the rear wheel to spin with the front brake applied away from public road traffic if the ABS is switched off.
- Do not make any changes to the suspension travel.
- Only use spare parts on the brake system which have been approved and recommended by KTM.
- Only use tires/wheels approved by KTM with the corresponding speed index.
- Maintain the specified tire air pressure.
- Service work and repairs must be performed professionally. (Your authorized KTM workshop will be glad to help.)



Warning

Voiding of the government approval for road use and the insurance coverage If the ABS is switched off completely, the vehicle's approval for road use is invalidated.

- Only operate the vehicle in closed-off areas remote from public road traffic if the ABS is switched off completely.

The ABS is a safety system that prevents locking of the wheels when driving straight ahead without the influence of lateral forces.




Warning

Danger of accidents Driving aids can only prevent a rollover within the physical limitations.

It is not always possible to compensate for extreme riding situations, for example with luggage loaded with a high center of gravity, varying road surfaces, steep descents or full braking without disengaging the gear.

- Adapt your riding style to the road conditions and your driving ability.

The ABS operates with two independent brake circuits (front and rear brakes). During normal operation, the brake system operates like a conventional brake system without ABS. When the ABS control unit detects a locking tendency in a wheel, ABS begins regulating the brake pressure. The regulating process causes a slight pulsing of the hand and foot brake levers.

The ABS indicator lamp  must light up after the ignition is switched on and go out after starting off. If it does not go out after starting off or if it lights up while riding, this indicates a fault in the ABS system. In this case, the ABS is no longer enabled and the wheels may lock during braking. The brake system itself stays functional; only ABS control is not available.

The ABS indicator lamp may also light up if the rotating speeds of the front and rear wheels differ greatly under extreme riding conditions, for example when making "wheelies" or if the rear wheel spins. This causes the ABS to switch off.

To reactivate the ABS, the vehicle must be stopped and the ignition switched off. The ABS is reactivated when the vehicle is switched on again. The ABS indicator lamp goes out when you start off.

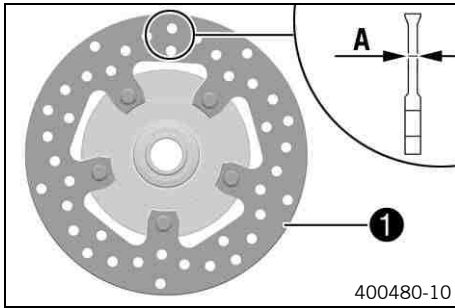
13.2 Checking the brake discs



Warning

Danger of accidents Worn-out brake discs reduce the braking effect.

- Make sure that worn-out brake discs are replaced immediately. (Your authorized KTM workshop will be glad to help.)



- Check the thickness of the front and rear brake discs at multiple points on each brake disc to ensure it is at least thickness **A**.



Info

Wear will reduce the thickness of the brake disc at contact surface **1** of the brake linings.

Brake discs - wear limit	
Front	4.5 mm (0.177 in)
rear	3.6 mm (0.142 in)

- » If the brake disc thickness is less than the specified value.
 - Change the front brake disc. 🛠️
 - Change the rear brake disc. 🛠️
- Check the front and rear brake discs for damage, cracking, and deformation.
 - » If the brake disc exhibits damage, cracking, or deformation:
 - Change the front brake disc. 🛠️
 - Change the rear brake disc. 🛠️

13.3 Checking the brake fluid level of the front brake



Warning

Danger of accidents An insufficient brake fluid level will cause the brake system to fail.

If the brake fluid level drops below the **MIN** marking, the brake system is leaking or the brake linings are worn down.

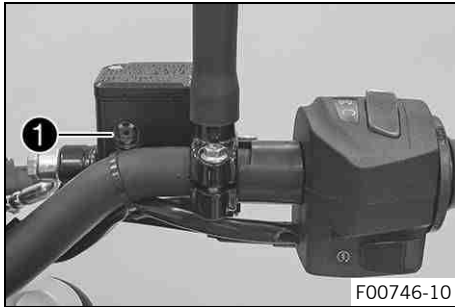
- Check the brake system and do not continue riding until the problem is eliminated. (Your authorized KTM workshop will be glad to help.)



Warning

Danger of accidents Old brake fluid reduces the braking effect.

- Make sure that brake fluid for the front and rear brake is changed in accordance with the service schedule. (Your authorized KTM workshop will be glad to help.)



- Move the brake fluid reservoir mounted on the handlebar to a horizontal position.
- Check the brake fluid level in viewer **1**.
 - » If the brake fluid level is below the **MIN** marking:
 - Add front brake fluid. 🛠️ (📖 p. 107)

13.4 Adding front brake fluid 🛠️



Warning

Danger of accidents An insufficient brake fluid level will cause the brake system to fail.

If the brake fluid level drops below the **MIN** marking, the brake system is leaking or the brake linings are worn down.

- Check the brake system and do not continue riding until the problem is eliminated. (Your authorized KTM workshop will be glad to help.)



Warning

Skin irritation Brake fluid causes skin irritation.

- Keep brake fluid out of the reach of children.
- Wear suitable protective clothing and safety glasses.
- Do not allow brake fluid to come into contact with the skin, the eyes or clothing.
- Consult a doctor immediately if brake fluid has been swallowed.
- Rinse the affected area with plenty of water in the event of contact with the skin.
- Rinse eyes thoroughly with water immediately and consult a doctor if brake fluid comes into contact with the eyes.
- If brake fluid spills on to your clothing, change the clothing.



Warning

Danger of accidents Old brake fluid reduces the braking effect.

- Make sure that brake fluid for the front and rear brake is changed in accordance with the service schedule. (Your authorized KTM workshop will be glad to help.)



Warning

Environmental hazard Hazardous substances cause environmental damage.

- Dispose of oils, grease, filters, fuel, cleaning agents, brake fluid, etc., correctly and in compliance with the applicable regulations.



Info

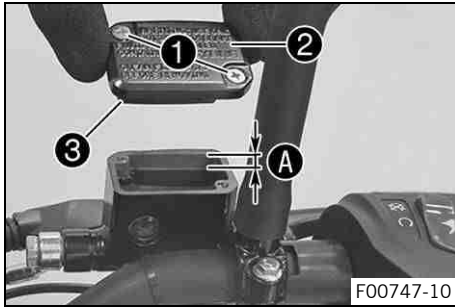
Never use DOT 5 brake fluid. It is silicone-based and purple in color. Oil seals and brake lines are not designed for DOT 5 brake fluid.

Avoid contact between brake fluid and painted parts. Brake fluid attacks paint.

Only use clean brake fluid from a sealed container.

Preparatory work

- Check the front brake linings. (📖 p. 109)



Main work

- Move the brake fluid reservoir mounted on the handlebar to a horizontal position.
- Remove screws ①.
- Remove cover ② with membrane ③.
- Add brake fluid to level A.

Guideline

Level A	5 mm (0.2 in)
---------	---------------

Brake fluid DOT 4 / DOT 5.1 (📖 p. 185)
--

- Position the cover with the membrane. Mount and tighten the screws.

Info

Clean up overflowed or spilled brake fluid immediately with water.

13.5 Checking the front brake linings

Warning

Danger of accidents Worn-out brake linings reduce the braking effect.

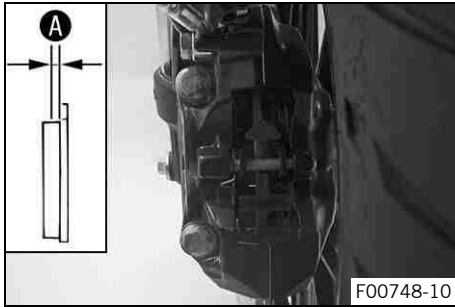
- Ensure that worn-out brake linings are replaced immediately. (Your authorized KTM workshop will be glad to help.)

Warning

Danger of accidents Damaged brake discs reduce the braking effect.

If the brake linings are not changed in time, the brake lining carriers grind against the brake disc. As a consequence, the braking effect is greatly reduced and the brake discs are destroyed.

- Check the brake linings regularly.



- Check the brake linings for minimum thickness **A**.

Minimum thickness A	$\geq 1 \text{ mm } (\geq 0.04 \text{ in})$
----------------------------	---

- » If the minimum thickness is less than specified:

- Change the front brake linings. 🛠️

- Check the brake linings for damage and cracking.

- » If there is damage or cracking:

- Change the front brake linings. 🛠️

13.6 Checking the free travel of foot brake lever

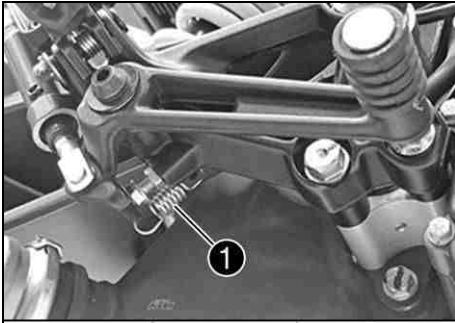


Warning

Danger of accidents The brake system fails in the event of overheating.

If there is no free travel on the foot brake lever, pressure builds up in the brake system on the rear brake.

- Set the free travel on the foot brake lever in accordance with the specification.

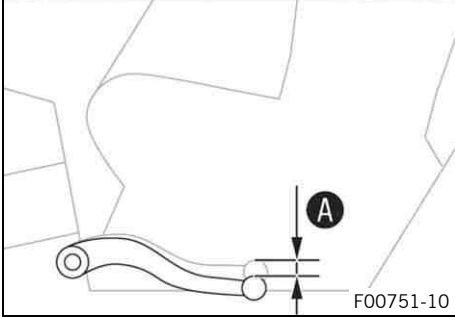


- Disconnect spring ❶.
- Move the foot brake lever back and forth between the end stop and the contact to the foot brake cylinder piston and check free travel ❸.

Guideline

Free travel at foot brake lever	3... 5 mm (0.12... 0.2 in)
---------------------------------	----------------------------

- » If the free travel does not meet specifications:
 - Adjust the free travel of the foot brake lever. 🛠️ (📖 p. 111)
- Reconnect spring ❶.



13.7 Adjusting the free travel of the foot brake lever 🛠️

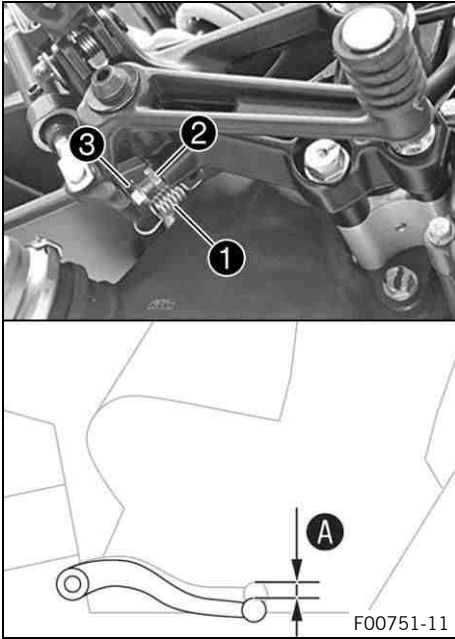


Warning

Danger of accidents The brake system fails in the event of overheating.

If there is no free travel on the foot brake lever, pressure builds up in the brake system on the rear brake.

- Set the free travel on the foot brake lever in accordance with the specification.



- Detach spring ①.
- Release nut ② and use screw ③ to adjust the specified free travel A.

Guideline

Free travel at foot brake lever	3... 5 mm (0.12... 0.2 in)
---------------------------------	----------------------------



Info

The range of adjustment is limited.

- Hold screw ③ and tighten nut ②.
- Attach spring ①.

13.8 Checking the rear brake fluid level



Warning

Danger of accidents An insufficient brake fluid level will cause the brake system to fail.

If the brake fluid level drops below the **MIN** marking, the brake system is leaking or the brake linings are worn down.

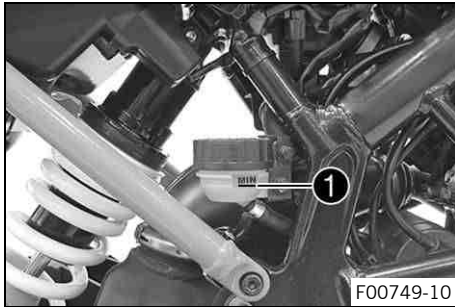
- Check the brake system and do not continue riding until the problem is eliminated. (Your authorized KTM workshop will be glad to help.)



Warning

Danger of accidents Old brake fluid reduces the braking effect.

- Make sure that brake fluid for the front and rear brake is changed in accordance with the service schedule. (Your authorized KTM workshop will be glad to help.)



- Stand the vehicle upright.
- Check the brake fluid level of the brake fluid reservoir.
 - » If the fluid level reaches the **MIN** marking ❶:
 - Add rear brake fluid. 🛠️ (📖 p. 113)

13.9 Adding rear brake fluid 🛠️



Warning

Danger of accidents An insufficient brake fluid level will cause the brake system to fail.

If the brake fluid level drops below the **MIN** marking, the brake system is leaking or the brake linings are worn down.

- Check the brake system and do not continue riding until the problem is eliminated. (Your authorized KTM workshop will be glad to help.)



Warning

Skin irritation Brake fluid causes skin irritation.

- Keep brake fluid out of the reach of children.
- Wear suitable protective clothing and safety glasses.
- Do not allow brake fluid to come into contact with the skin, the eyes or clothing.
- Consult a doctor immediately if brake fluid has been swallowed.
- Rinse the affected area with plenty of water in the event of contact with the skin.
- Rinse eyes thoroughly with water immediately and consult a doctor if brake fluid comes into contact with the eyes.
- If brake fluid spills on to your clothing, change the clothing.



Warning

Danger of accidents Old brake fluid reduces the braking effect.

- Make sure that brake fluid for the front and rear brake is changed in accordance with the service schedule. (Your authorized KTM workshop will be glad to help.)



Warning

Environmental hazard Hazardous substances cause environmental damage.

- Dispose of oils, grease, filters, fuel, cleaning agents, brake fluid, etc., correctly and in compliance with the applicable regulations.

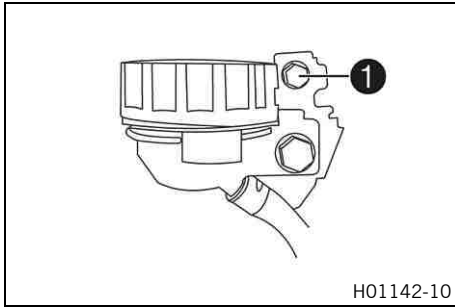


Info

Avoid contact between brake fluid and painted parts. Brake fluid attacks paint. Only use clean brake fluid from a sealed container.

Preparatory work

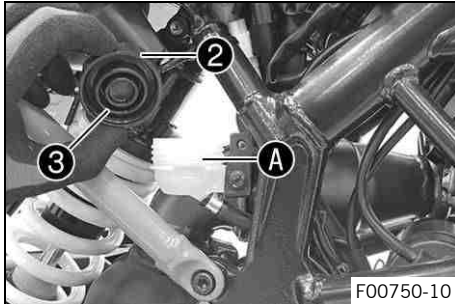
- Check the brake linings of the rear brake. (📖 p. 116)



Condition

The screw cap is locked.

- Remove screw ① and take off the screw cap lock.



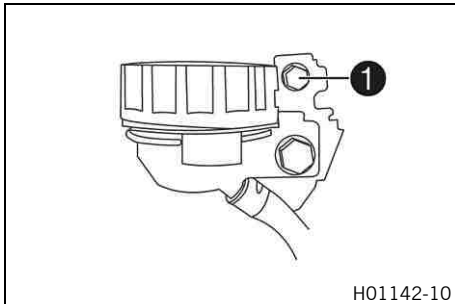
- Stand the vehicle upright.
- Remove screw cap ② with membrane ③.
- Add brake fluid to level A.

Brake fluid DOT 4 / DOT 5.1 (📖 p. 185)

- Mount screw cap with membrane.

i Info

Clean up overflowed or spilled brake fluid immediately with water.



Condition

The screw cap is locked.

- Position the screw cap lock and mount and tighten screw ①.

Guideline

Screw, compensating tank cap lock, rear brake	M5	9 Nm (6.6 lbf ft)
---	----	-------------------

13.10 Checking the brake linings of the rear brake



Warning

Danger of accidents Worn-out brake linings reduce the braking effect.

- Ensure that worn-out brake linings are replaced immediately. (Your authorized KTM workshop will be glad to help.)

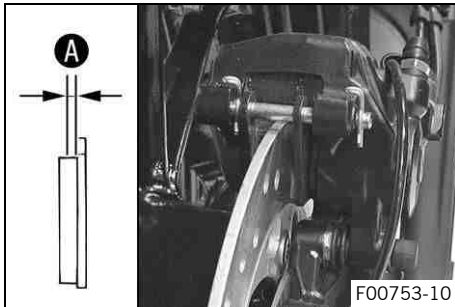


Warning

Danger of accidents Damaged brake discs reduce the braking effect.

If the brake linings are not changed in time, the brake lining carriers grind against the brake disc. As a consequence, the braking effect is greatly reduced and the brake discs are destroyed.

- Check the brake linings regularly.



- Check the brake linings for minimum thickness **A**.

Minimum thickness A	$\geq 1 \text{ mm } (\geq 0.04 \text{ in})$
----------------------------	---

- » If the minimum thickness is less than specified:
 - Change the rear brake linings. 🛠️
- Check the brake linings for damage and cracking.
 - » If there is damage or cracking:
 - Change the rear brake linings. 🛠️

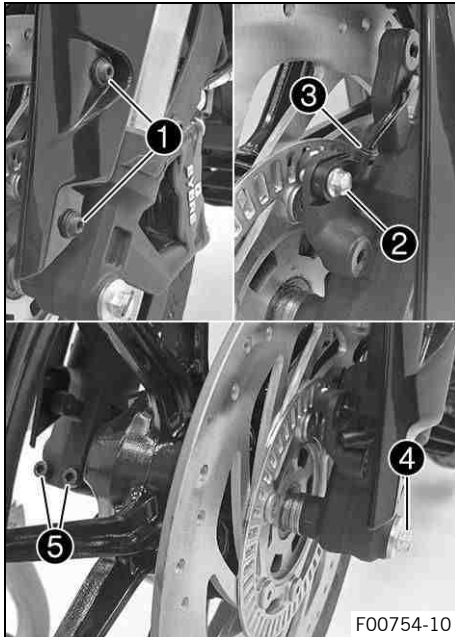
14.1 Removing the front wheel ↩

Preparatory work

- Raise the motorcycle with the rear lifting gear. (📖 p. 88)
- Lift the motorcycle with the front lifting gear. (📖 p. 89)

Main work

- Remove screws ❶ with washers and push the fender slightly to the side.
- Remove screw ❷ and pull wheel speed sensor ❸ out of the hole.
- Loosen screw ❹ by several rotations.
- Loosen screws ❺.
- Press on screw ❹ to push the wheel spindle out of the axle clamp.
- Remove screw ❹.



Warning

Danger of accidents Reduced braking effect caused by damaged brake discs.

- Always lay the wheel down in such a way that the brake discs are not damaged.
-
- Holding the front wheel, withdraw the wheel spindle. Take the front wheel out of the fork.



Info

Do not pull the hand brake lever when the front wheel is removed.

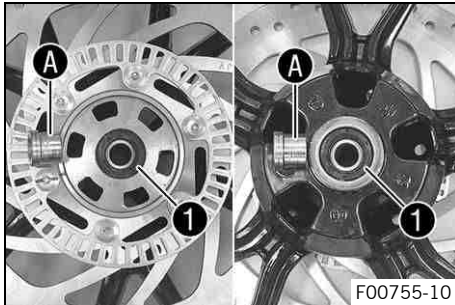
14.2 Installing the front wheel ↴



Warning

Danger of accidents Oil or grease on the brake discs reduces the braking effect.

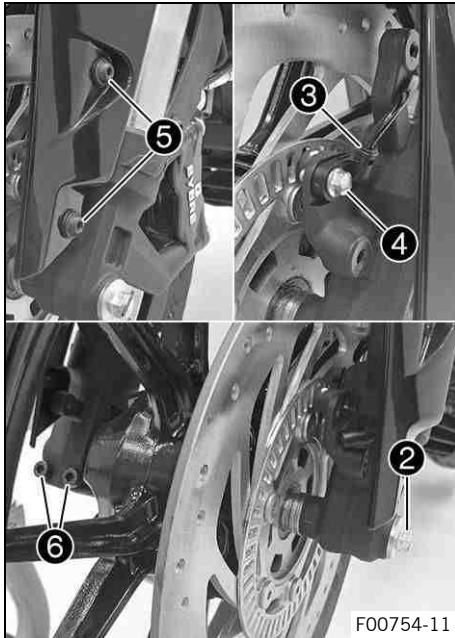
- Always keep the brake discs free of oil and grease.
- Clean the brake discs with brake cleaner when necessary.



- Check the wheel bearing for damage and wear.
 - » If the wheel bearing is damaged or worn:
 - Change the wheel bearing. ↴
- Remove the spacers.
- Clean and grease shaft seal rings **1** and contact surfaces **A** of the spacers.

Long-life grease (📖 p. 188)

- Insert the spacers.



- Clean the thread of the wheel spindle and screw ②.
- Clean and grease wheel spindle.

Long-life grease (📖 p. 188)

- Position the front wheel and insert the wheel spindle.
✓ The brake linings are correctly positioned.
- Mount and tighten screw ②.

Guideline

Screw, front wheel spindle	M8	25 Nm (18.4 lbf ft)
----------------------------	----	------------------------

- Position wheel speed sensor ③ in the drill hole.
- Mount and tighten screw ④.

Guideline

Screw, wheel speed sensor holder	M6	8 Nm (5.9 lbf ft)
----------------------------------	----	-------------------

- Mount and tighten screws ⑤ with the washers.

Guideline

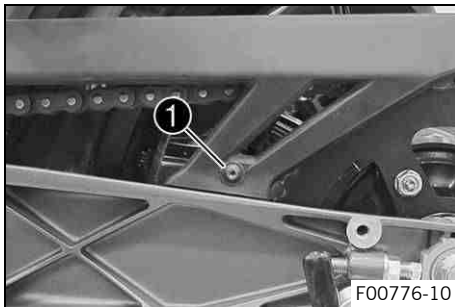
Screw, front fender	M6	7 Nm (5.2 lbf ft)
---------------------	----	-------------------

- Operate the hand brake lever repeatedly until the brake linings are in contact with the brake disc and there is a pressure point.
- Take the motorcycle from the front lifting gear. (📖 p. 90)
- Remove the rear of the motorcycle from the lifting gear. (📖 p. 88)
- Operate the front brake and compress the fork a few times firmly.
✓ The fork legs straighten.
- Tighten screws ⑥.

Guideline

Screw, fork stub	M8	15 Nm (11.1 lbf ft)
------------------	----	------------------------

14.3 Removing the rear wheel ↴

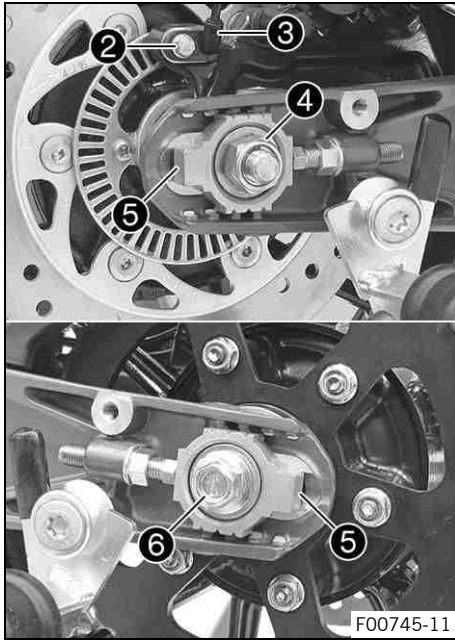


Preparatory work

- Raise the motorcycle with the rear lifting gear. (📖 p. 88)

Main work

- Remove screw ①.



- Remove screw ② and pull wheel speed sensor ③ out of the hole.
- Remove nut ④ and washer.
- Remove chain adjuster ⑤.
- Holding the rear wheel, withdraw wheel spindle ⑥ with the washer and chain adjuster ⑤.
- Push the rear wheel forward as far as possible and take the chain off the rear sprocket.
- Push chain guard to the side.



Warning

Danger of accidents Reduced braking effect caused by damaged brake discs.

- Always lay the wheel down in such a way that the brake discs are not damaged.
-
- Pull the rear wheel back and take it out of the swingarm.



Info

Do not operate the foot brake lever when the rear wheel is removed.

14.4 Installing the rear wheel ↩



Warning

Danger of accidents Oil or grease on the brake discs reduces the braking effect.

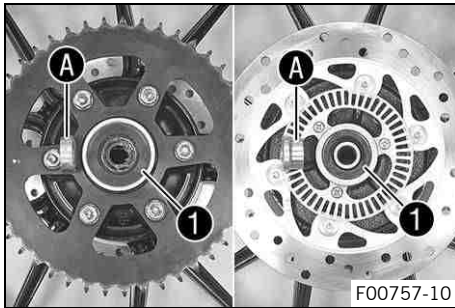
- Always keep the brake discs free of oil and grease.
- Clean the brake discs with brake cleaner when necessary.



Warning

Danger of accidents There is no braking effect to start with at the rear brake after installing the rear wheel.

- Actuate the foot brake several times before going on a ride until you can feel a firm pressure point.



Main work

- Check the wheel bearing for damage and wear.
 - » If the wheel bearing is damaged or worn:
 - Change the wheel bearing. 🛠️
- Remove the spacers.
- Clean and grease shaft seal rings ① and contact surfaces ①A of the spacers.

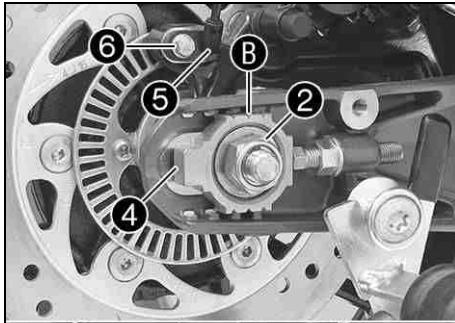
Long-life grease (📖 p. 188)

- Clean the thread of the wheel spindle and axle nut.
- Clean and grease wheel spindle.

Long-life grease (📖 p. 188)

- Clean the mating surfaces of the brake caliper support and swingarm.
- Install the rubber damper and rear sprocket carrier on the rear wheel.
- Insert the spacers.
- Position the rear wheel.
 - ✓ The brake linings are correctly positioned.
- Push the rear wheel forward as far as possible and lay the chain on the rear sprocket.
- Position the chain guard.

14 WHEELS, TIRES



- Pull the rear wheel back and mount wheel spindle **3** with the washer and chain adjuster **4**.

Guideline

Mount left and right chain adjusters **4** in the same position.

- Mount nut **2** and washer.
- Push the rear wheel forward so that the chain adjusters are in contact with the screws, and tighten nut **2**.

Guideline

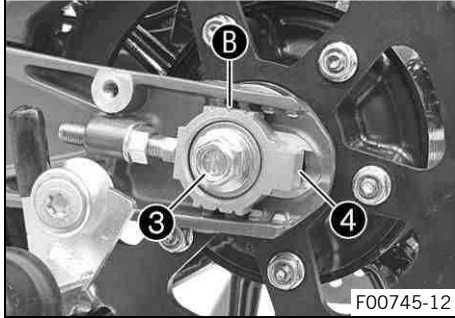
In order for the rear wheel to be correctly aligned, the markings on the left and right chain adjusters must be in the same position relative to reference markings **B**.

Nut, rear wheel spindle	M14x1.5	98 Nm (72.3 lbf ft)
-------------------------	---------	------------------------

- Position wheel speed sensor **5** in the drill hole.
- Mount and tighten screw **6**.

Guideline

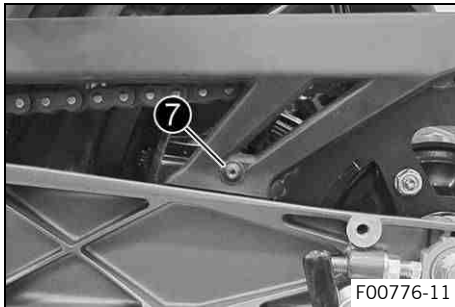
Screw, wheel speed sensor holder	M6	8 Nm (5.9 lbf ft)
----------------------------------	----	-------------------



- Mount and tighten screw **7**.

Guideline

Screw, chain guard	EJOT PT® K60x30	7 Nm (5.2 lbf ft)
--------------------	-----------------	-------------------



Finishing work

- Remove the rear of the motorcycle from the lifting gear. (📖 p. 88)
- Check the chain tension. (📖 p. 96)

14.5 Checking the rear hub rubber dampers 🛠️



Info

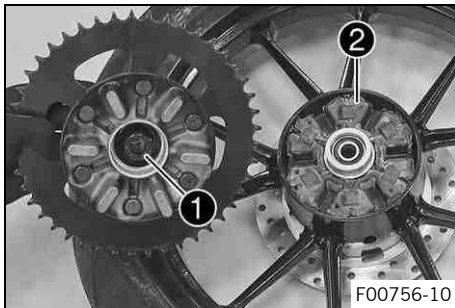
The engine power is transmitted from the rear sprocket to the rear wheel via 6 rubber dampers. They eventually wear out during operation. If the rubber dampers are not changed in time, the rear sprocket carrier and the rear hub will be damaged.

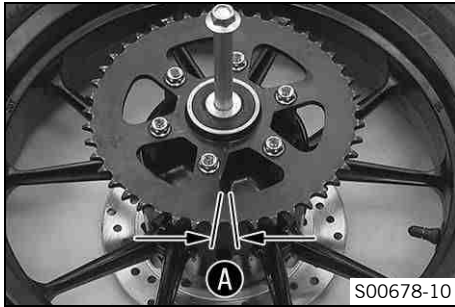
Preparatory work

- Raise the motorcycle with the rear lifting gear. (📖 p. 88)
- Remove the rear wheel. 🛠️ (📖 p. 120)

Main work

- Check bearing ❶.
 - » If the bearing is damaged or worn:
 - Change the bearing. 🛠️
- Check the rubber dampers ❷ of the rear hub for damage and wear.
 - » If the rubber dampers of the rear hub are damaged or worn:
 - Change all rubber dampers in the rear hub.





- Lay the rear wheel on a workbench with the rear sprocket facing upwards and insert the wheel spindle in the hub.
- To check the play **A**, hold the rear wheel tight and try to rotate the rear sprocket.

i Info

Measure the play on the outside of the rear sprocket.

Play in rubber dampers, rear wheel	≤ 5 mm (≤ 0.2 in)
------------------------------------	-------------------

- » If play **A** is larger than the specified value:
 - Change all rubber dampers in the rear hub.

Finishing work

- Install the rear wheel. (🔧📖 p. 121)
- Remove the rear of the motorcycle from the lifting gear. (📖 p. 88)
- Check the chain tension. (🔧📖 p. 96)

14.6 Checking the tire condition

Warning

Danger of accidents If a tire bursts while riding, the vehicle becomes uncontrollable.

- Ensure that damaged or worn tires are replaced immediately. (Your authorized KTM workshop will be glad to help.)

Warning

Danger of crashing Different tire tread patterns on the front and rear wheel impair the handling characteristic. Different tire tread patterns can make the vehicle significantly more difficult to control.

- Make sure that only tires with a similar tire tread pattern are fitted to the front and rear wheel.



Warning

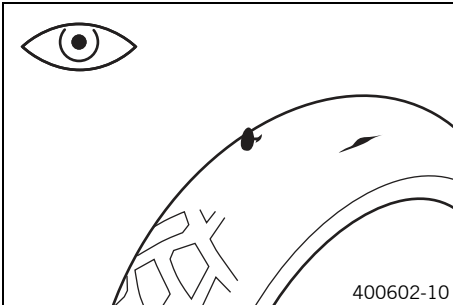
Danger of accidents Non-approved or non-recommended tires and wheels impact the handling characteristic.

- Only use tires/wheels approved by KTM with the corresponding speed index.



Info

The type, condition, and air pressure of the tires all have a major impact on the handling characteristics of the motorcycle. Worn tires have a negative effect on handling characteristics, especially on wet surfaces.



- Check the front and rear tires for cuts, run-in objects, and other damage.
 - » If the tires have cuts, run-in objects, or other damage:
 - Change the tires.
- Check the tread depth.

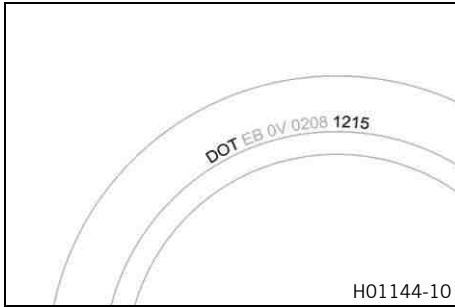


Info

Adhere to the legally required minimum tread depth.

Minimum tread depth	$\geq 2 \text{ mm } (\geq 0.08 \text{ in})$
---------------------	---

- » If the tread depth is less than the minimum tread depth:
 - Change the tires.



- Check the tire age.



Info

The tire date of manufacture is usually contained in the tire label and is indicated by the last four digits of the **DOT** number. The first two digits indicate the week of manufacture and the last two digits the year of manufacture. KTM recommends that the tires be changed after 5 years at the latest, regardless of the actual state of wear.

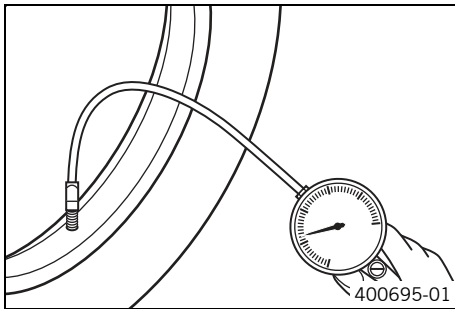
- » If the tires are more than 5 years old:
 - Change the tires.

14.7 Checking the tire air pressure



Info

Low tire air pressure leads to abnormal wear and overheating of the tire. Correct tire air pressure ensures optimal riding comfort and maximum tire service life.



- Remove the dust cap.
- Check tire air pressure when the tires are cold.

Tire air pressure, solo	
Front	2.0 bar (29 psi)
Rear	2.0 bar (29 psi)

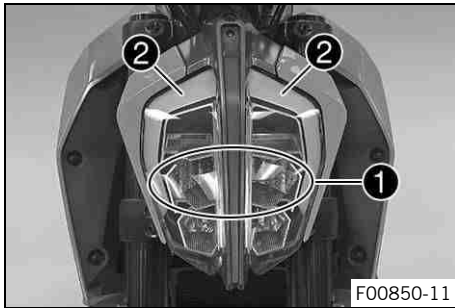
Tire air pressure with passenger/full payload	
Front	2.0 bar (29 psi)
Rear	2.2 bar (32 psi)

- » If the tire air pressure does not meet specifications:

14 WHEELS, TIRES

- Correct the tire air pressure.
- Mount the dust cap.

15.1 Daytime running light (DRL)



Warning

Danger of accidents When visibility is poor, the daytime running light is not a substitute for the low beam.

Automatic switching between the daytime running light and low beam may only be partially available when visibility is significantly impaired due to fog, snow or rain.

- Ensure that the appropriate type of lighting is always selected.
- If necessary switch off the daytime running lights using the menu before going on a ride or when stopped so that the low beam is switched on permanently.
- Note the legal regulations regarding the daytime running light.

The daytime running light (DRL) ① is integrated in the main headlight.

The daytime running light (DRL) must only be switched on when visibility conditions are good.

Activate the daytime running light (DRL) in the combination instrument.

Control is provided by the brightness sensor in the combination instrument. When visibility conditions are good, the low beam is switched off and the daytime running light is switched on.



Info

The position light ② lights up with all types of lighting.

15.2 Removing the battery ↩



Warning

Risk of injury Battery acid and battery gases cause serious chemical burns.

- Keep batteries out of the reach of children.
- Wear suitable protective clothing and safety glasses.
- Avoid contact with battery acid and battery gases.
- Keep sparks or open flames away from the battery.
- Only charge batteries in well-ventilated rooms.
- Rinse the affected area immediately with plenty of water in the event of contact with the skin.
- Rinse eyes with water for at least 15 minutes and consult a doctor immediately if battery acid and battery gases get into the eyes.

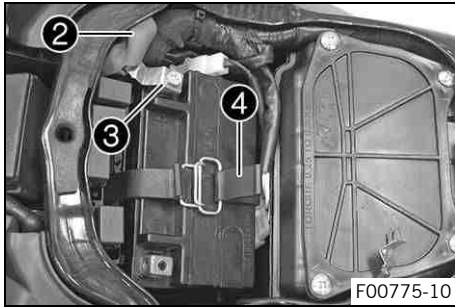
Preparatory work

- Remove the passenger seat. (📖 p. 92)
- Remove the front rider's seat. (📖 p. 93)

Main work

- Disconnect negative cable ❶ from the battery.





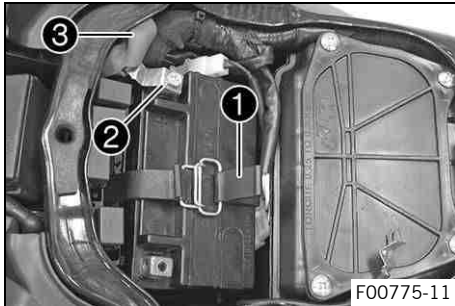
- Pull back positive terminal cover ②.
- Disconnect positive cable ③ from the battery.
- Detach rubber band ④.
- Pull the battery up and out of the battery holder.



Info

Never operate the motorcycle with a discharged battery or without a battery. In both cases, electrical components and safety devices can be damaged. The vehicle will therefore no longer be roadworthy.

15.3 Installing the battery ↱



Main work

- Position the battery in the battery holder.

Battery (ETZ-9-BS) (📖 p. 175)

- Reconnect rubber band ①.
- Position positive cable ② and mount and tighten the screw.
- Position positive terminal cover ③.



- Position negative cable ④; mount and tighten the screw.

Finishing work

- Mount the front rider's seat. (📖 p. 94)
- Mount the passenger seat. (📖 p. 93)
- Set the time and date. (📖 p. 60)

15.4 Recharging the battery ↩



Warning

Risk of injury Battery acid and battery gases cause serious chemical burns.

- Keep batteries out of the reach of children.
- Wear suitable protective clothing and safety glasses.
- Avoid contact with battery acid and battery gases.
- Keep sparks or open flames away from the battery.
- Only charge batteries in well-ventilated rooms.
- Rinse the affected area immediately with plenty of water in the event of contact with the skin.
- Rinse eyes with water for at least 15 minutes and consult a doctor immediately if battery acid and battery gases get into the eyes.



Warning

Environmental hazard Batteries contain environmentally-hazardous materials.

- Do not dispose of batteries as household waste.
 - Dispose of batteries at a collection point for used batteries.
-



Info

Even when there is no load on the battery, it discharges steadily.

The charging level and the method of charging are very important for the service life of the battery.

Rapid recharging with a high charging current shortens the battery's service life.

If the charging current, charging voltage, or charging time is exceeded, electrolyte escapes through the safety valves. This reduces the battery capacity.

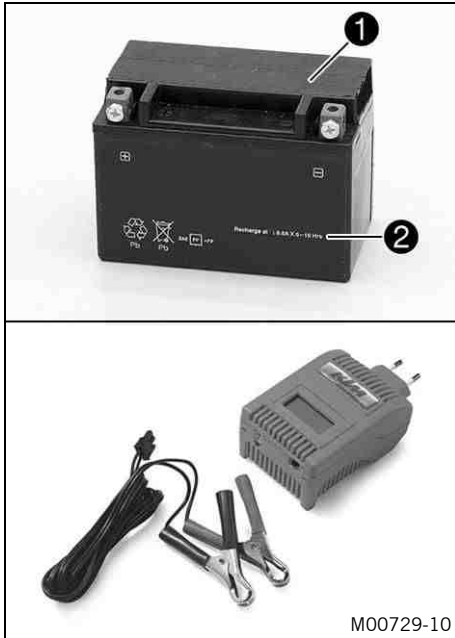
If the battery is depleted from starting the vehicle repeatedly, the battery must be charged immediately.

If the battery is left in a discharged state for an extended period, it will become over-discharged and sulfate, destroying the battery.

The battery is maintenance-free. The acid level does not have to be checked.

Preparatory work

- Switch off all power consumers and switch off the engine.
- Remove the passenger seat. (📖 p. 92)
- Remove the front rider's seat. (📖 p. 93)
- Disconnect the negative cable of the battery to avoid damage to the onboard electronics.



Main work

- Connect the battery charger to the battery. Switch on the battery charger.

Battery charger (58429074000)

You can also use the battery charger to test rest potential and start potential of the battery, and to test the alternator. With this device, you cannot overcharge the battery.

i Info

Never remove lid **1**.

Charge the battery with a maximum of 10% of the capacity specified on battery housing **2**.

- Switch off the battery charger after charging and disconnect from the battery.

Guideline

The charge current, charge voltage and charge time must not be exceeded.	
--	--

Charge the battery regularly when the motorcycle is not in use	3 months
--	----------

- Position the negative cable and mount and tighten the screw.
- Position the negative terminal cover.

Finishing work

- Mount the front rider's seat. (📖 p. 94)
- Mount the passenger seat. (📖 p. 93)
- Set the time and date. (📖 p. 60)

15.5 Changing the ABS fuses



Warning

Fire hazard Incorrect fuses overload the electrical system.

- Only use fuses with the required ampere value.
- Do not bypass or repair fuses.



Info

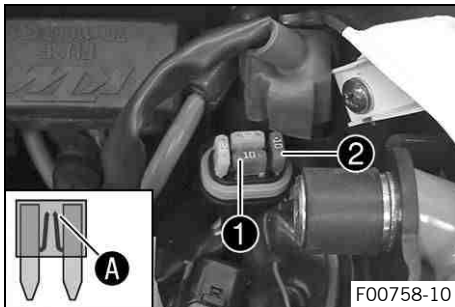
Two fuses for the ABS are located under the passenger seat. These fuses protect the return pump and the hydraulic unit of the ABS. The third fuse, which protects the ABS control unit, is located in the fuse box.

Preparatory work

- Switch off all power consumers and the engine.
- Remove the passenger seat. (📖 p. 92)

To change the fuse of the ABS hydraulic unit:

- Take off the protection cap and remove fuse ①.



Info

You can recognize a faulty fuse by a burned-out fuse wire **A**.

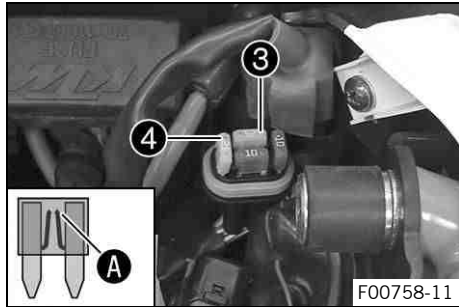


Warning

Fire hazard Incorrect fuses overload the electrical system.

- Only use fuses with the required ampere value.
 - Do not bypass or repair fuses.
-
- Use spare fuses with the correct rating only.

Fuse (75011088010) (📖 p. 175)



Replace spare fuse ② in the fuse box so that it is available if needed.

- Mount the protection cap.

To change the fuse of the ABS return pump:

- Take off the protection cap and remove fuse ③.



Fire hazard Incorrect fuses overload the electrical system.

- Only use fuses with the required ampere value.
 - Do not bypass or repair fuses.
- Use spare fuses with the correct rating only.

Fuse (90111088025) (📖 p. 175)



Replace spare fuse ④ in the fuse box so that it is available if needed.

- Mount the protection cap.

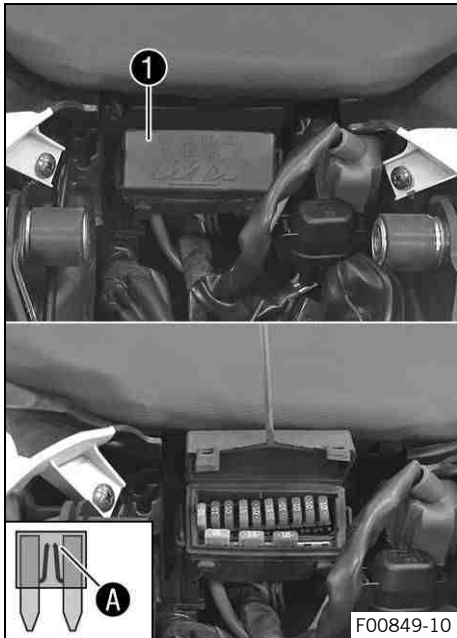
Finishing work

- Mount the passenger seat. (📖 p. 93)

15.6 Changing the fuses of individual power consumers



The fuse box with the main fuse and the fuses of the individual power consumers is located under the passenger seat.



Preparatory work

- Switch off all power consumers and switch off the engine.
- Remove the passenger seat. (📖 p. 92)

Main work

- Open fuse box cover ❶.
- Remove the defective fuse.

Guideline

Fuse 1 - 30 A - main fuse
Fuse 2 - 10 A - combination instrument
Fuse 3 - 10 A - power relay
Fuse 4 - 15 A - ignition coil, fuel pump, start auxiliary relay, horn
Fuse 5 - 10 A - radiator fan
Fuse 6 - 15 A - brake light, turn signal, high beam, low beam, parking light, tail light, license plate lamp
Fuse 7 - 10 A - control unit, ABS control unit
Fuse 8 - 10 A - alarm system (optional)
Fuse 9 - 10 A - auxiliary equipment
Fuse 10 - 10 A - auxiliary equipment
Fuse SPARE - 10 A/15 A/30 A - spare fuses

i Info

You can recognize a faulty fuse by a burned-out fuse wire ❶.

**Warning**

Fire hazard Incorrect fuses overload the electrical system.

- Only use fuses with the required ampere value.
 - Do not bypass or repair fuses.
-

- Use spare fuses with the correct rating only.

Fuse (75011088010) (📖 p. 175)

Fuse (75011088015) (📖 p. 175)

Fuse (75011088030) (📖 p. 175)

**Tip**

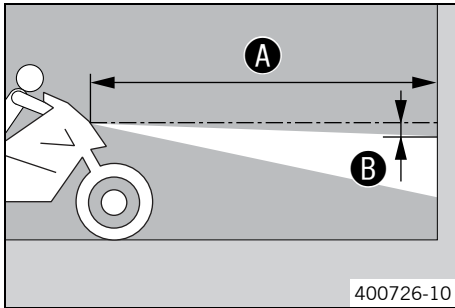
Replace the spare fuse in the fuse box so that it is available if needed.

- Check that the power consumer is functioning properly.
- Close the fuse box cover ❶.

Finishing work

- Mount the passenger seat. (📖 p. 93)

15.7 Checking the headlight setting



- Position the vehicle upright on a horizontal surface in front of a light wall and make a mark at the height of the center of the low beam headlight.
- Make another mark at a distance **B** under the first mark.

Guideline

Distance B	5 cm (2 in)
-------------------	-------------

- Position the vehicle perpendicular to the wall at a distance **A** from the wall and switch on the low beam.

Guideline

Distance A	5 m (16 ft)
-------------------	-------------

- The rider, with luggage and passenger if applicable, now mounts the motorcycle.
- Check the headlight setting.

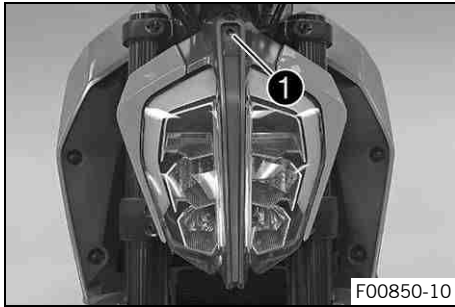
The light-dark boundary must lie exactly on the lower mark when the motorcycle is ready to operate with the rider mounted along with any luggage and a passenger if applicable.

- » If the boundary between light and dark does not meet specifications:
 - Adjust the headlight range. (📖 p. 139)

15.8 Adjusting the headlight range

Preparatory work

- Check the headlight setting. (📖 p. 139)



Main work

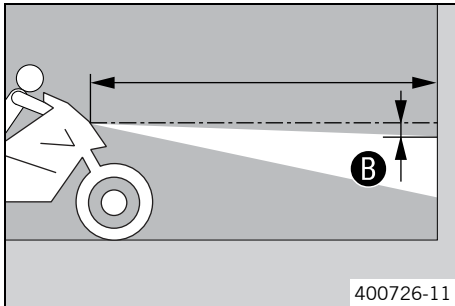
- Turn adjusting screw **1** to adjust the headlight range.

i Info

Turn clockwise to increase the headlight range; turn counterclockwise to reduce the headlight range.

If you have a payload, you may have to correct the headlight range.

Screw **1** also secures the headlight. Ensure the screw is always screwed in far enough.

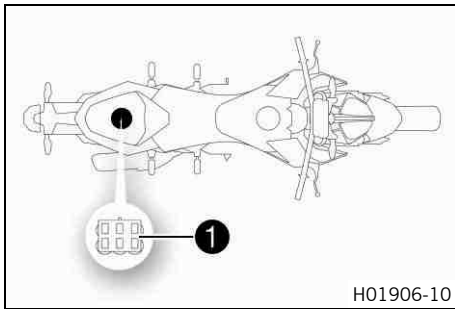


- Set the headlight to marking **B**.

Guideline

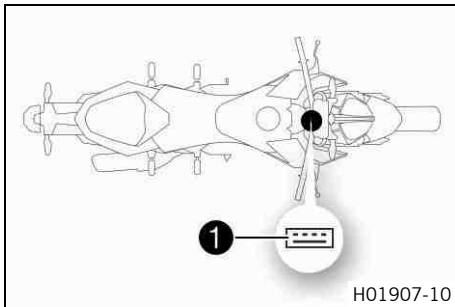
The light-dark boundary must lie exactly on lower mark **B** when the motorcycle is ready to operate with the rider mounted along with any luggage and a passenger if applicable.

15.9 Diagnostics connector



Diagnostics connector ❶ is located under the passenger seat.

15.10 USB diagnostics plug



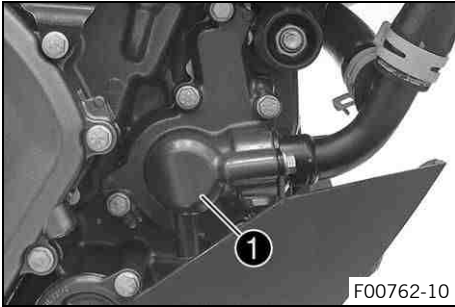
The USB diagnostics plug ❶ is located under the combination instrument.



Info

The USB diagnostics plug is intended for diagnostics purposes only and is not suitable for supplying power to external devices.

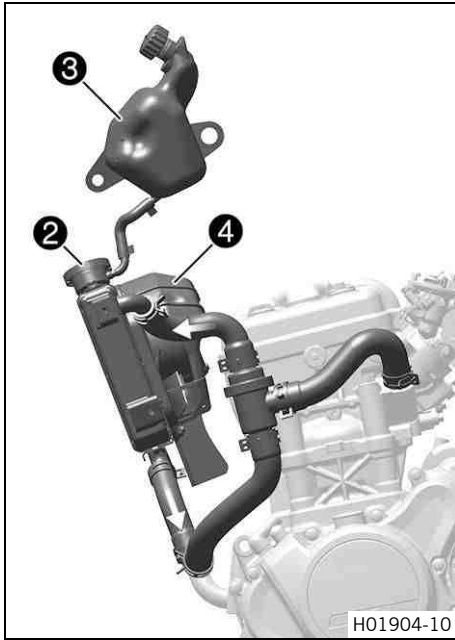
16.1 Cooling system



Water pump ① in the engine ensures forced circulation of the coolant. The pressure resulting from the warming of the cooling system is regulated by a valve in radiator cap ②. Heat expansion causes excess coolant to flow into compensating tank ③. When the temperature falls, this surplus coolant is sucked back into the cooling system. This ensures that operating the vehicle at the specified coolant temperature will not result in a risk of malfunctions.

110 °C (230 °F)

16 COOLING SYSTEM



The coolant is cooled by the air stream and a radiator fan ④, which is controlled by a thermostat.

The lower the speed, the less the cooling effect. Dirty cooling fins also reduce the cooling effect.

16.2 Checking the antifreeze and coolant level



Warning

Danger of scalding During motorcycle operation, the coolant gets very hot and is under pressure.

- Do not open the radiator, the radiator hoses or other cooling system components if the engine or the cooling system are at operating temperature.
- Allow the cooling system and the engine to cool down before you open the radiator, the radiator hoses or other components of the cooling system.
- In the event of scalding, rinse the area affected immediately with lukewarm water.



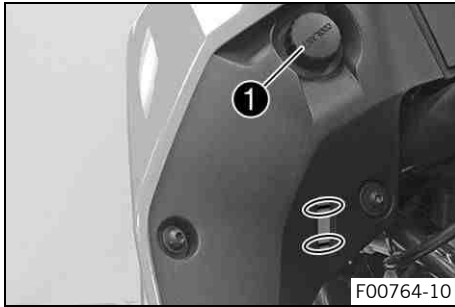
Warning

Danger of poisoning Coolant is toxic and a health hazard.

- Keep coolant out of the reach of children.
- Do not allow coolant to come into contact with the skin, the eyes and clothing.
- Consult a doctor immediately if coolant is swallowed.
- Rinse the affected area immediately with plenty of water in the event of contact with the skin.
- Rinse eyes thoroughly with water and consult a doctor immediately if coolant gets into the eyes.
- Change clothing if coolant spills onto your clothing.

Condition

The engine is cold.



- Stand the motorcycle upright on a horizontal surface.
- Remove cap ① of the compensating tank.
- Check the antifreeze in the coolant.

-25... -45 °C (-13... -49 °F)

- » If the antifreeze in the coolant does not match the specified value:
 - Correct the antifreeze in the coolant.
- Check the coolant level in the compensating tank.

The coolant level must be between the two markings.

- » If the coolant level does not match the specified value:
 - Correct the coolant level.

Coolant (📖 p. 185)

- Mount the cap of the compensating tank.
- Remove radiator cap ②.
- Check the antifreeze in the coolant.

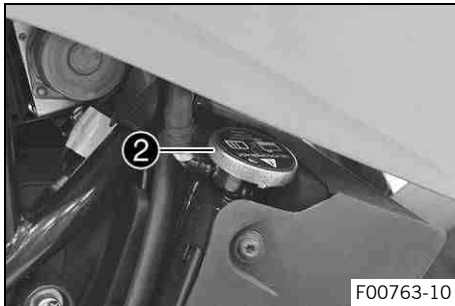
-25... -45 °C (-13... -49 °F)

- » If the antifreeze in the coolant does not match the specified value:
 - Correct the antifreeze in the coolant.
- Check the coolant level in the radiator.

The radiator must be filled completely.

- » If the coolant level does not match the specified value:
 - Check the coolant level and the reason for the loss.

Coolant (📖 p. 185)



- » If you had to add more coolant than the specified amount:
 - > 0.20 l (> 0.21 qt.)
 - Fill/bleed the cooling system. 📖 (p. 149)
- Mount the radiator cap.

16.3 Checking the coolant level



Warning

Danger of scalding During motorcycle operation, the coolant gets very hot and is under pressure.

- Do not open the radiator, the radiator hoses or other cooling system components if the engine or the cooling system are at operating temperature.
- Allow the cooling system and the engine to cool down before you open the radiator, the radiator hoses or other components of the cooling system.
- In the event of scalding, rinse the area affected immediately with lukewarm water.



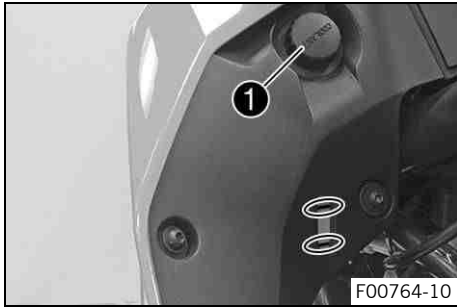
Warning

Danger of poisoning Coolant is toxic and a health hazard.

- Keep coolant out of the reach of children.
- Do not allow coolant to come into contact with the skin, the eyes and clothing.
- Consult a doctor immediately if coolant is swallowed.
- Rinse the affected area immediately with plenty of water in the event of contact with the skin.
- Rinse eyes thoroughly with water and consult a doctor immediately if coolant gets into the eyes.
- Change clothing if coolant spills onto your clothing.

Condition

The engine is cold.

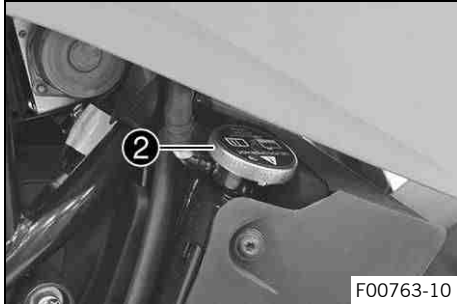


- Stand the motorcycle upright on a horizontal surface.
- Check the coolant level in compensating tank ①.

The coolant level must be between the two markings.

- » If the coolant level does not match the specified value:
 - Correct the coolant level.

Coolant (📖 p. 185)



- Remove radiator cap ② and check the coolant level in the radiator.

The radiator must be filled completely.

- » If the coolant level does not match the specified value:
 - Check the coolant level and the reason for the loss.

Coolant (📖 p. 185)

- » If you had to add more coolant than the specified amount:
 - > 0.20 l (> 0.21 qt.)
 - Fill/bleed the cooling system. 🛠️ (📖 p. 149)

- Mount the radiator cap.

16.4 Draining the coolant



Warning

Danger of scalding During motorcycle operation, the coolant gets very hot and is under pressure.

- Do not open the radiator, the radiator hoses or other cooling system components if the engine or the cooling system are at operating temperature.
- Allow the cooling system and the engine to cool down before you open the radiator, the radiator hoses or other components of the cooling system.
- In the event of scalding, rinse the area affected immediately with lukewarm water.



Warning


Danger of poisoning Coolant is toxic and a health hazard.

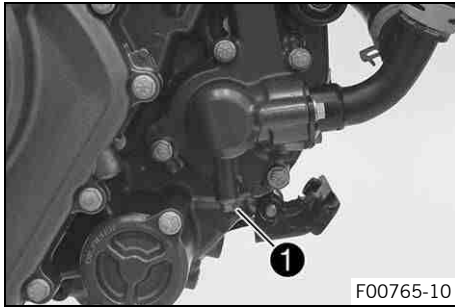
- Keep coolant out of the reach of children.
- Do not allow coolant to come into contact with the skin, the eyes and clothing.
- Consult a doctor immediately if coolant is swallowed.
- Rinse the affected area immediately with plenty of water in the event of contact with the skin.
- Rinse eyes thoroughly with water and consult a doctor immediately if coolant gets into the eyes.
- Change clothing if coolant spills onto your clothing.

Condition

The engine is cold.

Preparatory work

- Remove the front spoiler. ( p. 102)



Main work

- Position the motorcycle upright.
- Place a suitable container under the engine.
- Remove screw ❶.
- Remove the radiator cap.
- Completely drain the coolant.
- Mount and tighten screw ❶ with a new seal ring.

Guideline

Screw plug, water pump drain hole	M6	10 Nm (7.4 lbf ft)
-----------------------------------	----	--------------------

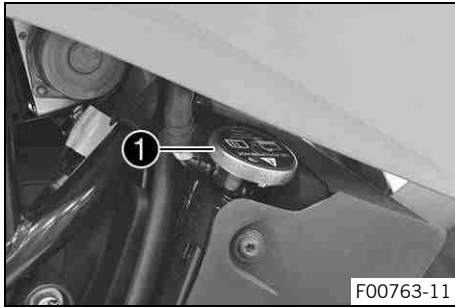
16.5 Filling/bleeding the cooling system ↩



Warning

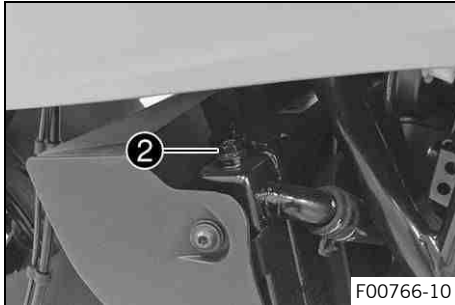
Danger of poisoning Coolant is toxic and a health hazard.

- Keep coolant out of the reach of children.
- Do not allow coolant to come into contact with the skin, the eyes and clothing.
- Consult a doctor immediately if coolant is swallowed.
- Rinse the affected area immediately with plenty of water in the event of contact with the skin.
- Rinse eyes thoroughly with water and consult a doctor immediately if coolant gets into the eyes.
- Change clothing if coolant spills onto your clothing.



Main work

- Remove radiator cap ❶.



- Loosen bleeder screw ❷.

Guideline

3 turns

- Tilt the vehicle slightly to the right.
- Pour in coolant until it emerges without bubbles at the bleeder screw, and then mount and tighten the bleeder screw immediately.

Coolant (📖 p. 185)

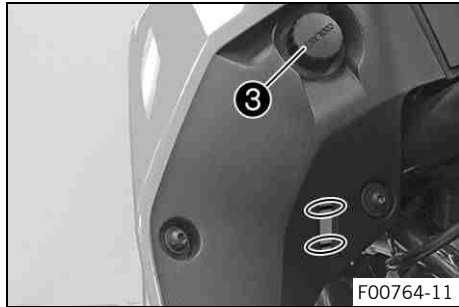
- Completely fill the radiator with coolant. Mount the radiator cap.
- Rest the vehicle on the side stand.



Danger

Danger of poisoning Exhaust gases are toxic and inhaling them may result in unconsciousness and death.

- Always make sure there is sufficient ventilation when running the engine.
- Use an effective exhaust extraction system when starting or running the engine in an enclosed space.

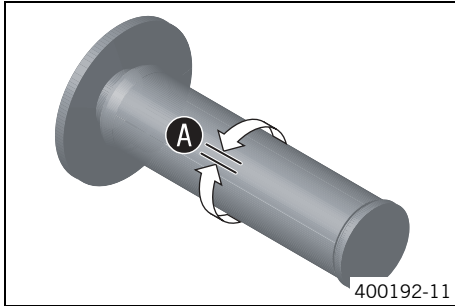


- Start the engine and let it warm up.
- Stop the engine and allow it to cool down.
- When the engine is cool, check the coolant level in the radiator and, if necessary, add coolant.
- Remove cap ❸ of the compensating tank and top up the coolant level to the upper marking.
- Mount the cap of the compensating tank.

Finishing work

- Fit the front spoiler. (📖 p. 103)

17.1 Checking the play in the throttle cable



- Check the throttle grip for smooth operation.
- Move the handlebar to the straight-ahead position. Turn the throttle grip back and forth slightly and determine the play in throttle cable **A**.

Throttle cable play A	3... 5 mm (0.12... 0.2 in)
------------------------------	----------------------------

- » If the throttle cable play does not meet the specified value:
 - Adjust the play in the throttle cable. 🛠️ (📖 p. 153)



Danger

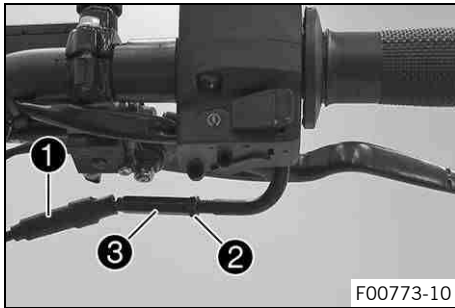
Danger of poisoning Exhaust gases are toxic and inhaling them may result in unconsciousness and death.

- Always make sure there is sufficient ventilation when running the engine.
 - Use an effective exhaust extraction system when starting or running the engine in an enclosed space.
-
- Start the engine and let it run idle. Move the handlebar to and fro over the entire steering range.

The idle speed must not change.

- » If the idle speed changes:
 - Check throttle cable routing.

17.2 Adjusting the play in the throttle cable ↗



- Move the handlebar to the straight-ahead position.
- Push back sleeve ①.
- Loosen lock nut ②.
- Adjust the play in the throttle cable by turning adjusting screw ③.

Guideline

Throttle cable play	3... 5 mm (0.12... 0.2 in)
---------------------	----------------------------

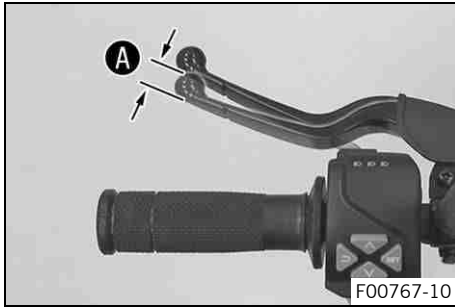
- Tighten lock nut ②.
- Slide on sleeve ①.

17.3 Checking the clutch lever play

Note

Clutch damage If there is no play on the clutch lever, the clutch will begin to slip.

- Check the play in the clutch lever on each occasion before operating the motorcycle.
- Adjust the play in the clutch lever when necessary in accordance with the specification.



- Check the clutch lever for smooth operation.
- Move the handlebar to the straight-ahead position.
- Pull the clutch lever until resistance is perceptible, and determine the play in the clutch lever **A**.

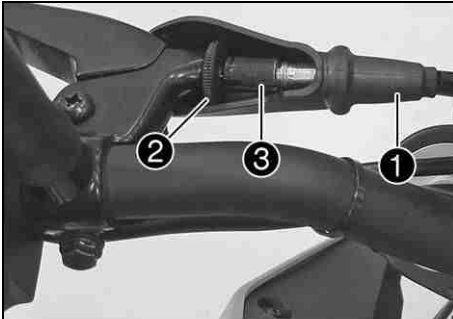
Clutch lever play A	1... 3 mm (0.04... 0.12 in)
----------------------------	-----------------------------

- » If the clutch lever play does not meet the specified value:
 - Adjust play in the clutch lever. 🛠️ (p. 155)
- Move the handlebar to and fro over the entire steering range.

The clutch lever play must not change.
--

- » If the clutch lever play changes:
 - Check the routing of the clutch cable.

17.4 Adjusting play in the clutch lever ↩

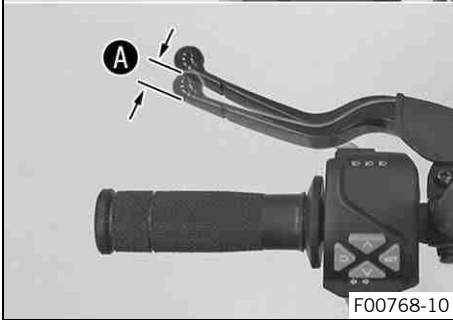


- Move the handlebar to the straight-ahead position.
- Push back sleeve ①.
- Loosen lock nut ②.
- Adjust the play in the clutch level **A** by turning adjusting screw ③.

Guideline

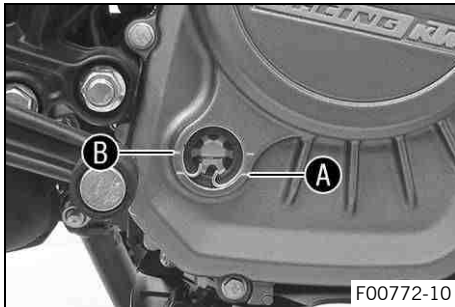
Clutch lever play A	1... 3 mm (0.04... 0.12 in)
----------------------------	-----------------------------

- Tighten lock nut ②.
- Position bellows ①.



F00768-10

18.1 Checking the engine oil level



Condition

The engine is at operating temperature.

Preparatory work

- Stand the motorcycle upright on a horizontal surface.

Main work

- Check the engine oil level.



Info

After switching off the engine, wait one minute before checking the level.

The engine oil must be between the markings **A** and **B** .

- » If the engine oil is below the marking **A** :
 - Add engine oil. (📖 p. 159)
- » If the engine oil is above the marking **B** :
 - Correct the engine oil level.

18.2 Changing the engine oil and oil filter, cleaning the oil screen 🛠️



Warning

Danger of scalding Engine and gear oil get very hot when the motorcycle is ridden.

- Wear suitable protective clothing and safety gloves.
- In the event of scalding, rinse the area affected immediately with lukewarm water.



Warning

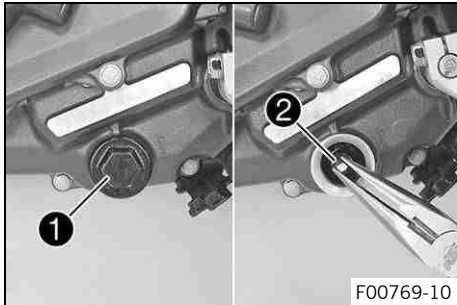
Environmental hazard Hazardous substances cause environmental damage.

- Dispose of oils, grease, filters, fuel, cleaning agents, brake fluid, etc., correctly and in compliance with the applicable regulations.



Info

Drain the engine oil only when the engine is warm.



Preparatory work

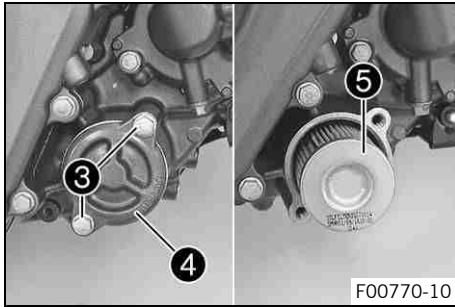
- Remove the front spoiler. (📖 p. 102)
- Stand the motorcycle on its side stand on a horizontal surface.

Main work

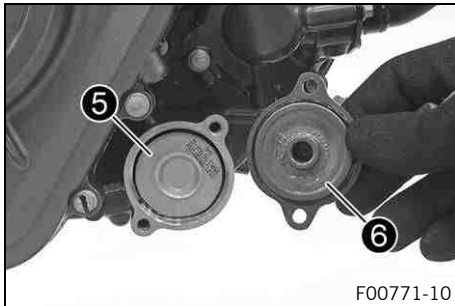
- Place a suitable container under the engine.
- Remove oil drain plug **1** with the O-ring.
- Remove oil screen **2** with the O-ring.
- Completely drain the engine oil.
- Clean the oil drain plug and oil screen thoroughly.
- Position oil screen **2** and mount and tighten oil drain plug **1** with the O-ring.

Guideline

Oil drain plug	M24x1.5	15 Nm (11.1 lbf ft)
----------------	---------	------------------------



- Remove screws **3**. Remove oil filter cover **4** with the O-ring.
- Pull oil filter **5** out of the oil filter housing.
- Completely drain the engine oil.
- Thoroughly clean the parts and sealing surface.



- Insert new oil filter **5**.
- Lubricate the O-ring of the oil filter cover. Mount oil filter cover **6**.
- Mount and tighten screws **3**.

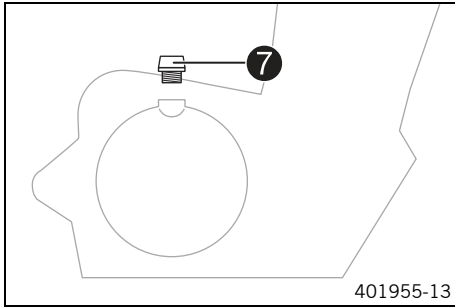
Guideline

Screw, oil filter cover	M6	12 Nm (8.9 lbf ft)
-------------------------	----	--------------------



Info

Too little engine oil or poor-quality engine oil results in premature wear of the engine.



- Remove filler plug ⑦ and the O-ring from the clutch cover, and fill up with engine oil.

Engine oil	1.5 l (1.6 qt.)	External temperature: 0... 50 °C (32... 122 °F)	Engine oil (SAE 15W/50) (📖 p. 186)
		External temperature: -10... 40 °C (14... 104 °F)	Engine oil (SAE 10W/40) (📖 p. 186)

- Install and tighten the oil filler plug with O-ring.



Danger

Danger of poisoning Exhaust gases are toxic and inhaling them may result in unconsciousness and death.

- Always make sure there is sufficient ventilation when running the engine.
- Use an effective exhaust extraction system when starting or running the engine in an enclosed space.

- Start the engine and check that it is oil-tight.

Finishing work

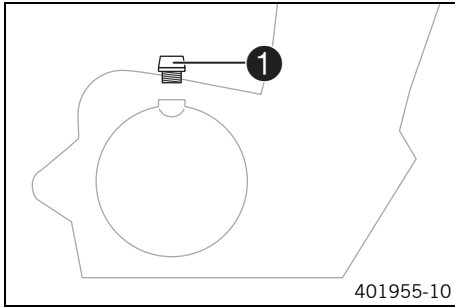
- Fit the front spoiler. (📖 p. 103)
- Check the engine oil level. (📖 p. 156)

18.3 Adding engine oil



Info

Too little engine oil or poor-quality engine oil results in premature wear of the engine.



Main work

- Remove filler plug ❶ and the O-ring from the clutch cover, and fill up with engine oil.

Engine oil (SAE 15W/50) (📖 p. 186)

Engine oil (SAE 10W/40) (📖 p. 186)



Info

In order to achieve optimal engine performance, it is not advisable to mix different engine oils.

We recommended changing the engine oil when necessary.

- Install and tighten the oil filler plug with O-ring.



Danger

Danger of poisoning Exhaust gases are toxic and inhaling them may result in unconsciousness and death.

- Always make sure there is sufficient ventilation when running the engine.
 - Use an effective exhaust extraction system when starting or running the engine in an enclosed space.
- Start the engine and check that it is oil-tight.

Finishing work

- Check the engine oil level. (📖 p. 156)

19.1 Cleaning the motorcycle

Note

Material damage Components become damaged or destroyed if a pressure cleaner is used incorrectly.

The high pressure forces water into the electrical components, connectors, throttle cables, and bearings, etc. Pressure which is too high causes malfunctions and destroys components.

- Do not direct the water jet directly on to electrical components, connectors, throttle cables or bearings.
- Maintain a minimum distance between the nozzle of the pressure cleaner and the component.

Minimum clearance 60 cm (23.6 in)



Warning

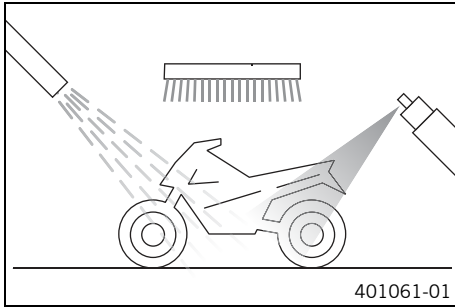
Environmental hazard Hazardous substances cause environmental damage.

- Dispose of oils, grease, filters, fuel, cleaning agents, brake fluid, etc., correctly and in compliance with the applicable regulations.
-



Info

If you clean the motorcycle regularly, its value and appearance will be maintained over a long period. Avoid direct sunshine on the motorcycle during cleaning.



- Seal the exhaust system to keep water out.
- First remove coarse dirt particles with a gentle spray of water.
- Spray very dirty areas with a normal motorcycle cleaner and then clean with a paint-brush.

Motorcycle cleaner (🗨️ p. 188)

i Info

Use warm water containing normal motorcycle cleaner and a soft sponge. Never apply motorcycle cleaner to a dry vehicle; always rinse the vehicle with water first. If the vehicle was operated in road salt, clean it with cold water. Warm water would enhance the corrosive effects of salt.

- After rinsing the motorcycle with a gentle spray of water, allow it to dry thoroughly.
- Remove the closure of the exhaust system.



Warning

Danger of accidents Moisture and dirt impair the brake system.

- Brake carefully several times to dry out and remove dirt from the brake linings and the brake discs.
- After cleaning, ride the vehicle a short distance until the engine warms up.



Info

The heat produced causes water at inaccessible locations in the engine and on the brake system to evaporate.

- Push back the sleeves of the handlebar controls to allow any water that has penetrated to evaporate.
- After the motorcycle has cooled off, lubricate all moving parts and bearings.

- Clean the chain. (📖 p. 95)
- Treat bare metal parts (except for brake discs and exhaust system) with anti-corrosion materials.

Preserving materials for paints, metal and rubber (📖 p. 189)

- Treat all painted parts with a mild paint polish.

Perfect Finish and high gloss polish for paints (📖 p. 189)



Info

Do not polish parts that were matte when delivered as this would strongly impair the material quality.

- Treat all plastic parts and powder-coated parts with a mild cleaning and care product.

Special cleaner for glossy and matte paint finishes, metal and plastic surfaces (📖 p. 189)

- Oil the ignition/steering lock.

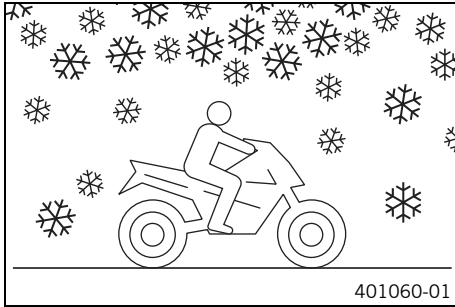
Universal oil spray (📖 p. 189)

19.2 Checks and maintenance steps for winter operation



Info

If the motorcycle is used in the winter, salt can be expected on the roads. Precautions need to be taken against road salt corrosion. If the vehicle was operated in road salt, clean it with cold water after riding. Warm water would enhance the corrosive effects of salt.



- Clean the motorcycle. (📖 p. 161)
 - Clean the brakes.
-

i **Info**

After **EVERY** trip on salted roads, thoroughly wash the brake calipers and brake linings with cold water and dry carefully. This should be done after the parts are cooled down and while they are installed.
After riding on salted roads, thoroughly wash the motorcycle with cold water and dry it well.

- Treat the engine, swingarm, and all other bright and zinc-plated parts (except for the brake discs) with a wax-based corrosion inhibitor.
-

i **Info**

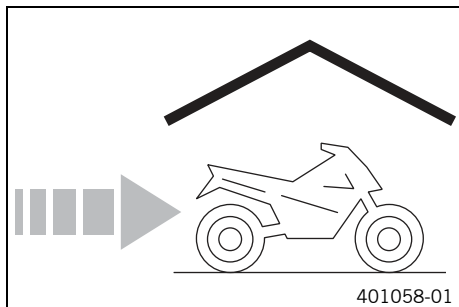
Corrosion inhibitor is not permitted to come in contact with the brake discs as this would greatly reduce the braking force.

- Clean the chain. (📖 p. 95)

20.1 Storage

i Info

If you want to garage the motorcycle for a longer period, take the following steps. Before storing the motorcycle, check all parts for function and wear. If service, repairs or replacements are necessary, you should do this during the storage period (less workshop overload). In this way, you can avoid long workshop waiting times at the start of the new season.



- When refueling for the last time before taking the motorcycle out of service, add fuel additive.

Fuel additive (📖 p. 188)

- Refuel. (📖 p. 81)
- Clean the motorcycle. (📖 p. 161)
- Change the engine oil and oil filter, clean the oil screen. 🛠️ (📖 p. 156)
- Check the antifreeze and coolant level. (📖 p. 144)
- Check the tire air pressure. (📖 p. 127)
- Remove the battery. 🛠️ (📖 p. 130)
- Recharge the battery. 🛠️ (📖 p. 132)

Guideline

Storage temperature of battery without direct sunlight	0... 35 °C (32... 95 °F)
--	--------------------------

- Store the vehicle in a dry location that is not subject to large fluctuations in temperature.

i Info

KTM recommends jacking up the motorcycle.

- Raise the motorcycle with the rear lifting gear. (📖 p. 88)

- Lift the motorcycle with the front lifting gear. (📖 p. 89)
- Cover the motorcycle with a tarp or similar cover that is permeable to air.

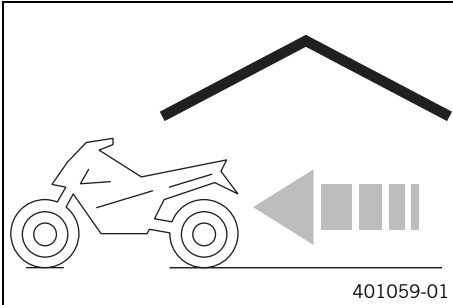


Info

Do not use non-porous materials since they prevent humidity from escaping, thus causing corrosion.

Avoid running the engine for a short time only. Since the engine cannot warm up properly, the water vapor produced during combustion condenses and causes valves and exhaust system to rust.

20.2 Preparing for use after storage



- Take the motorcycle from the front lifting gear. (📖 p. 90)
- Remove the rear of the motorcycle from the lifting gear. (📖 p. 88)
- Install the battery. 🛠️ (📖 p. 131)
- Set the time and date. (📖 p. 60)
- Perform checks and maintenance steps when preparing for use. (📖 p. 70)
- Take a test ride.

Faults	Possible cause	Action
Engine does not crank when the electric starter button is pressed	Operating error	– Carry out the start procedure. (📖 p. 71)
	Battery discharged	– Recharge the battery. 🛠️ (📖 p. 132)
	Fuse 1 , 3 , 4 , or 7 is blown	– Change the fuses of individual power consumers. (📖 p. 136)
	No ground connection present	– Check the ground connection.
Engine turns only if the clutch lever is drawn	The vehicle is in gear	– Shift gear to neutral.
	The vehicle is in gear and the side stand is folded out	– Shift gear to neutral.
Engine turns but does not start	Operating error	– Carry out the start procedure. (📖 p. 71)
	Fault in fuel injection system	– Read out the fault memory using the KTM diagnostics tool. 🛠️
Engine has too little power	Air filter is very dirty	– Change the air filter.
	Fuel filter is very dirty	– Check the fuel pressure. 🛠️
	Fault in fuel injection system	– Read out the fault memory using the KTM diagnostics tool. 🛠️
Engine overheats	Too little coolant in cooling system	– Check the cooling system for leakage. – Check the coolant level. (📖 p. 146)
	Radiator fins very dirty	– Clean the radiator fins.
	Foam formation in cooling system	– Drain the coolant. 🛠️ (📖 p. 148) – Fill/bleed the cooling system. 🛠️ (📖 p. 149)
	Thermostat defective	– Check the thermostat. 🛠️
	Fuse 5 blown	– Change the fuses of individual power consumers. (📖 p. 136)
	Defect in radiator fan system	– Check the radiator fan system. 🛠️

Faults	Possible cause	Action
Malfunction indicator lamp lights up yellow	Fault in fuel injection system	– Read out the fault memory using the KTM diagnostics tool. 🛠️
Engine dies during the trip	Lack of fuel	– Refuel. (📖 p. 81)
	Fuse 1 , 3 , 4 , or 7 is blown	– Change the fuses of individual power consumers. (📖 p. 136)
ABS indicator lamp lights up	ABS fuse is blown	– Change the ABS fuses. (📖 p. 135)
	Large difference in wheel speeds of the front and rear wheels	– Stop the vehicle, switch off the ignition, and start it again.
	Malfunction in ABS	– Read out the ABS fault memory using the KTM diagnostics tool. 🛠️
High oil consumption	Engine vent hose bent	– Route the vent hose without bends or change it if necessary.
	Engine oil level too high	– Check the engine oil level. (📖 p. 156)
	Engine oil too thin (low viscosity)	– Change the engine oil and oil filter, clean the oil screen. 🛠️ (📖 p. 156)
Headlight and parking light are not functioning	Fuse 6 blown	– Change the fuses of individual power consumers. (📖 p. 136)
Turn signal, brake light, and horn are not functional	Fuse 4 or 6 blown	– Change the fuses of individual power consumers. (📖 p. 136)
Time is not displayed or not correctly displayed	Fuse 2 is blown	– Change the fuses of individual power consumers. (📖 p. 136)
Battery discharged	Ignition was not switched off when vehicle was parked	– Recharge the battery. 🛠️ (📖 p. 132)
	Battery is not being charged by alternator	– Check the charging voltage. 🛠️ – Check the open-circuit current. 🛠️

Faults	Possible cause	Action
The combination instrument shows nothing on the display	Fuse 2 is blown	– Change the fuses of individual power consumers. (📖 p. 136)
Speedometer in combination instrument not functioning	Speedometer wiring harness is damaged or plug-in connector is oxidized	– Check the wiring harness and plug-in connector.

22.1 Engine

Design	1-cylinder 4-stroke engine, water-cooled
Displacement	125 cm ³ (7.63 cu in)
Stroke	47.2 mm (1.858 in)
Bore	58 mm (2.28 in)
Compression ratio	12.8:1
Control	DOHC, 4 valves controlled via cam lever, chain drive
Valve diameter, intake	22.5 mm (0.886 in)
Valve diameter, exhaust	19 mm (0.75 in)
Valve clearance, intake, cold	0.08... 0.12 mm (0.0031... 0.0047 in)
Valve clearance, exhaust, cold	0.13... 0.17 mm (0.0051... 0.0067 in)
Crankshaft bearing	Two ball bearings
Conrod bearing	Sleeve bearing
Pistons	Cast light alloy
Piston rings	1 compression ring, 1 tapered compression piston ring, 1 oil scraper ring
Engine lubrication	Pressure circulation lubrication with one rotary pump
Primary transmission	22:72
Clutch	Clutch in oil bath/mechanically activated
Transmission	6-gear, claw shifted
Transmission ratio	
1st gear	12:34
2nd gear	15:31
3rd gear	18:28

4th gear	21:26
5th gear	22:23
6th gear	24:22
Mixture preparation	Electronically controlled fuel injection
Ignition	Contactless controlled fully electronic ignition with digital ignition adjustment
Alternator	12 V, 230 W
Spark plug	BOSCH Super R6 VR 5 NE
Spark plug electrode gap	0.8 mm (0.031 in)
Spark plug	BOSCH Super R6 VR 5 NEW
Spark plug electrode gap	1 mm (0.04 in)
Cooling	Water cooling, permanent circulation of coolant by water pump
Idle speed	1,450... 1,550 rpm
Starting aid	Electric starter

22.2 Engine tightening torques

Oil nozzle	M5	6 Nm (4.4 lbf ft)	Loctite® 243™
Screw, engine vent plate	M5	7 Nm (5.2 lbf ft)	Loctite® 243™
Screw, retaining bracket	M5	6 Nm (4.4 lbf ft)	Loctite® 243™
Screw, retaining bracket, stator cable	M5	8 Nm (5.9 lbf ft)	Loctite® 243™
Screw, stator	M5	8 Nm (5.9 lbf ft)	Loctite® 243™
Clutch cable retaining bracket screw	M6	6 Nm (4.4 lbf ft)	Loctite® 243™
Cylinder head screw	M6	12 Nm (8.9 lbf ft)	–
Nut, water pump impeller	M6	10 Nm (7.4 lbf ft)	Loctite® 243™

22 TECHNICAL DATA

Screw plug, water pump drain hole	M6	10 Nm (7.4 lbf ft)	–
Screw, alternator cover	M6	12 Nm (8.9 lbf ft)	–
Screw, bearing retainer	M6	12 Nm (8.9 lbf ft)	Loctite® 243™
Screw, camshaft bearing support	M6	10 Nm (7.4 lbf ft)	–
Screw, chain securing guide	M6	10 Nm (7.4 lbf ft)	Loctite® 243™
Screw, clutch cover	M6	12 Nm (8.9 lbf ft)	–
Screw, engine case	M6x40	12 Nm (8.9 lbf ft)	–
Screw, engine case	M6x60	12 Nm (8.9 lbf ft)	Loctite® 243™
Screw, engine sprocket	M6	12 Nm (8.9 lbf ft)	–
Screw, freewheel gear retaining bracket	M6	12 Nm (8.9 lbf ft)	Loctite® 243™
Screw, locking lever	M6	12 Nm (8.9 lbf ft)	Loctite® 243™
Screw, oil filter cover	M6	12 Nm (8.9 lbf ft)	–
Screw, oil pump	M6	12 Nm (8.9 lbf ft)	Loctite® 243™
Screw, retaining bracket, shaft seal ring, clutch cover	M6	12 Nm (8.9 lbf ft)	Loctite® 243™
Screw, shift drum locating	M6	12 Nm (8.9 lbf ft)	Loctite® 243™
Screw, starter motor	M6	12 Nm (8.9 lbf ft)	–
Screw, timing chain tensioner	M6	12 Nm (8.9 lbf ft)	–
Screw, timing chain tensioning rail	M6	12 Nm (8.9 lbf ft)	Loctite® 243™
Screw, valve cover	M6	12 Nm (8.9 lbf ft)	–
Screw, water pump cover	M6	12 Nm (8.9 lbf ft)	–
Nut, conrod bearing	M7	24 Nm (17.7 lbf ft)	–
Nut, exhaust flange	M8	8 Nm (5.9 lbf ft)	–
Nut, manifold on cylinder head	M8	8 Nm (5.9 lbf ft)	–
Screw, balancer shaft gear	M8	40 Nm (29.5 lbf ft)	Loctite® 243™

Screw, camshaft drive sprocket	M8	32 Nm (23.6 lbf ft)	Loctite® 243™
Screw, return spring, quick shifter	M8	20 Nm (14.8 lbf ft)	Loctite® 243™
Stud, exhaust flange	M8	22 Nm (16.2 lbf ft)	–
Cylinder head screw	M10	Step 1 25 Nm (18.4 lbf ft) Step 2 50 Nm (36.9 lbf ft)	Thread is oiled, head flat is greased
Oil pressure sensor	M10	14 Nm (10.3 lbf ft)	–
Rotor screw	M10	70 Nm (51.6 lbf ft)	Loctite® 243™
Water temperature sensor	M10	14 Nm (10.3 lbf ft)	–
Screw plug, cam lever axis	M10x1	10 Nm (7.4 lbf ft)	–
Spark plug	M12	15 Nm (11.1 lbf ft)	–
Nut, inner clutch hub	M14LH	60 Nm (44.3 lbf ft)	Loctite® 243™
Nut, primary gear/timing chain sprocket	M14	55 Nm (40.6 lbf ft)	Loctite® 243™
Oil drain plug	M24x1.5	15 Nm (11.1 lbf ft)	–

22.3 Capacities

22.3.1 Engine oil

Engine oil	1.5 l (1.6 qt.)	External temperature: 0... 50 °C (32... 122 °F)	Engine oil (SAE 15W/50) (📖 p. 186)
		External temperature: –10... 40 °C (14... 104 °F)	Engine oil (SAE 10W/40) (📖 p. 186)

22.3.2 Coolant

Coolant	1 l (1 qt.)	Coolant (📖 p. 185)
---------	-------------	--------------------

22.3.3 Fuel

Total fuel tank capacity, approx.	13.5 l (3.57 US gal)	Super unleaded (ROZ 95/RON 95/PON 91) (📖 p. 187)
Fuel reserve, approx.	1.5 l (1.6 qt.)	

22.4 Chassis

Frame	Lattice frame of steel tubes, powder-coated	
Fork	WP Suspension	
Shock absorber	WP Suspension	
Brake system		
Front	Disc brake with four-pot brake caliper	
Rear	Disc brake with single-piston brake caliper, floating	
Suspension travel		
Front	142 mm (5.59 in)	
rear	150 mm (5.91 in)	
Brake discs - diameter		
Front	300 mm (11.81 in)	
Rear	230 mm (9.06 in)	
Brake discs - wear limit		
Front	4.5 mm (0.177 in)	
rear	3.6 mm (0.142 in)	
Tire air pressure, solo		
Front	2.0 bar (29 psi)	
Rear	2.0 bar (29 psi)	

Tire air pressure with passenger/full payload	
Front	2.0 bar (29 psi)
Rear	2.2 bar (32 psi)
Secondary ratio	
Chain	5/8 x 1/4" (520) X-ring
Steering head angle	65°
Wheelbase	1,357±15.5 mm (53.43±0.61 in)
Seat height, unloaded	830 mm (32.68 in)
Ground clearance, unloaded	175 mm (6.89 in)
Dry weight	139 kg (306 lb.)
Maximum permissible front axle load	127 kg (280 lb.)
Maximum permissible rear axle load	228 kg (503 lb.)
Maximum permissible overall weight	355 kg (783 lb.)

22.5 Electrical system

Battery	ETZ-9-BS	Battery voltage: 12 V Nominal capacity: 8 Ah Maintenance-free
Fuse	75011088010	10 A
Fuse	75011088015	15 A
Fuse	90111088025	25 A
Fuse	75011088030	30 A
Headlight	LED	
Parking light	LED	
Instrument lights and indicator lamps	LED	

Turn signal	LED
Brake/tail light	LED
License plate lamp	LED

22.6 Tires

Front tires	Rear tires
110/70 R 17 M/C 54H TL Metzeler Sportec M5 Interact	150/60 R 17 M/C 66H TL Metzeler Sportec M5 Interact
110/70 R 17 M/C 54H TL Michelin Pilot Street Radial	150/60 R 17 M/C 66H TL Michelin Pilot Street Radial
The tires specified represent one of the possible series production tires. Additional information is available in the Service section under: http://www.ktm.com	

22.7 Fork

Fork article number	93001000033	
Fork	WP Suspension	
Fork length	744 mm (29.29 in)	
Fork oil	450 ml (15.21 fl. oz.)	Fork oil (SAE 5) (📖 p. 187)

22.8 Shock absorber

Shock absorber article number	93104010044
Shock absorber	WP Suspension
Spring preload	
Standard	3 clicks

Static sag	14 mm (0.55 in)
Riding sag	49 mm (1.93 in)
Fitted length	304 mm (11.97 in)

22.9 Chassis tightening torques

Screw, chain guard	EJOT PT® K60x30	7 Nm (5.2 lbf ft)	–
Remaining screws, chassis	M4	4 Nm (3 lbf ft)	–
Remaining nuts, chassis	M5	5 Nm (3.7 lbf ft)	–
Remaining screws, chassis	M5	5 Nm (3.7 lbf ft)	–
Screw, chain guard	M5	7 Nm (5.2 lbf ft)	Loctite® 243™
Screw, compensating tank cap lock, rear brake	M5	9 Nm (6.6 lbf ft)	–
Screw, fuel tank cover	M5	4 Nm (3 lbf ft)	–
Screw, outer clutch cable guide	M5	5 Nm (3.7 lbf ft)	–
Screw, side stand switch	M5	5 Nm (3.7 lbf ft)	Loctite® 243™
Screw, tail light	M5	5 Nm (3.7 lbf ft)	–
Nut, foot brake lever adjustment	M6	9 Nm (6.6 lbf ft)	–
Remaining nuts, chassis	M6	10 Nm (7.4 lbf ft)	–
Remaining screws, chassis	M6	10 Nm (7.4 lbf ft)	–
Screw, ABS hose clamp	M6	7 Nm (5.2 lbf ft)	–
Screw, ABS module	M6	10 Nm (7.4 lbf ft)	–
Screw, ABS module retaining bracket on frame	M6	7 Nm (5.2 lbf ft)	–
Screw, air filter box	M6	6 Nm (4.4 lbf ft)	–
Screw, brake fluid reservoir of rear brake	M6	8 Nm (5.9 lbf ft)	–

22 TECHNICAL DATA

Screw, brake hose clamp	M6	7 Nm (5.2 lbf ft)	–
Screw, cable holder, side stand switch	M6	9 Nm (6.6 lbf ft)	Loctite® 243™
Screw, chain sliding guard	M6	7 Nm (5.2 lbf ft)	–
Screw, combination instrument	M6	7 Nm (5.2 lbf ft)	–
Screw, compensating tank	M6	5 Nm (3.7 lbf ft)	–
Screw, damper block	M6	8 Nm (5.9 lbf ft)	–
Screw, engine sprocket cover	M6	8 Nm (5.9 lbf ft)	–
Screw, foot brake cylinder	M6	9 Nm (6.6 lbf ft)	Loctite® 243™
Screw, front fender	M6	7 Nm (5.2 lbf ft)	–
Screw, front seat fixing	M6	6 Nm (4.4 lbf ft)	–
Screw, front spoiler front	M6x13	9 Nm (6.6 lbf ft)	–
Screw, front spoiler rear	M6x9	9 Nm (6.6 lbf ft)	–
Screw, fuel pump	M6	10 Nm (7.4 lbf ft)	–
Screw, headlight	M6	8 Nm (5.9 lbf ft)	–
Screw, ignition coil	M6	8 Nm (5.9 lbf ft)	–
Screw, ignition lock (tamper-proof screw)	M6	13 Nm (9.6 lbf ft)	–
Screw, license plate holder	M6	12 Nm (8.9 lbf ft)	Loctite® 243™
Screw, lower rear panel	M6	7 Nm (5.2 lbf ft)	–
Screw, magnetic holder on side stand	M6	5 Nm (3.7 lbf ft)	Loctite® 243™
Screw, main silencer	M6	12 Nm (8.9 lbf ft)	–
Screw, main silencer retaining bracket	M6	9 Nm (6.6 lbf ft)	–
Screw, radiator holder	M6	10 Nm (7.4 lbf ft)	–
Screw, radiator shield	M6	7 Nm (5.2 lbf ft)	–
Screw, rear ABS sensor wheel	M6	8 Nm (5.9 lbf ft)	Loctite® 243™

22 TECHNICAL DATA

Screw, rear splash protector	M6	9 Nm (6.6 lbf ft)	–
Screw, rollover sensor	M6	8 Nm (5.9 lbf ft)	–
Screw, shift lever linkage	M6	11 Nm (8.1 lbf ft)	Loctite® 243™
Screw, wheel speed sensor holder	M6	8 Nm (5.9 lbf ft)	–
Nut, rear sprocket	M8	27 Nm (19.9 lbf ft)	Loctite® 243™
Remaining nuts, chassis	M8	25 Nm (18.4 lbf ft)	–
Remaining screws, chassis	M8	25 Nm (18.4 lbf ft)	–
Screw, bottom triple clamp	M8	12 Nm (8.9 lbf ft)	–
Screw, engine bearer	M8	22 Nm (16.2 lbf ft)	–
Screw, foot brake lever	M8	16 Nm (11.8 lbf ft)	Loctite® 243™
Screw, fork stub	M8	15 Nm (11.1 lbf ft)	–
Screw, front brake caliper	M8	30 Nm (22.1 lbf ft)	Loctite® 204™
Screw, front brake disc	M8	30 Nm (22.1 lbf ft)	Loctite® 243™
Screw, front seat fixing	M8	20 Nm (14.8 lbf ft)	–
Screw, front wheel spindle	M8	25 Nm (18.4 lbf ft)	–
Screw, fuel tank	M8	20 Nm (14.8 lbf ft)	–
Screw, grab handle	M8	22 Nm (16.2 lbf ft)	–
Screw, handlebar clamp	M8	20 Nm (14.8 lbf ft)	Loctite® 243™
Screw, horn	M8	12 Nm (8.9 lbf ft)	–
Screw, lower rear panel	M8	15 Nm (11.1 lbf ft)	Loctite® 243™
Screw, main silencer	M8	23 Nm (17 lbf ft)	–
Screw, passenger footrest bracket	M8	22 Nm (16.2 lbf ft)	Loctite® 243™
Screw, rear brake disc	M8	21 Nm (15.5 lbf ft)	Loctite® 243™
Screw, rear frame	M8	25 Nm (18.4 lbf ft)	Loctite® 243™
Screw, rear seat fixing	M8	18 Nm (13.3 lbf ft)	–

Screw, seat support plate	M8	18 Nm (13.3 lbf ft)	–
Screw, top triple clamp	M8	15 Nm (11.1 lbf ft)	–
Banjo bolt, brake line	M10	24 Nm (17.7 lbf ft)	–
Fitting side stand	M10	35 Nm (25.8 lbf ft)	Loctite® 243™
Nut mirror image left	M10	16 Nm (11.8 lbf ft)	–
Remaining nuts, chassis	M10	45 Nm (33.2 lbf ft)	–
Remaining screws, chassis	M10	45 Nm (33.2 lbf ft)	–
Screw, engine bearer	M10	49 Nm (36.1 lbf ft)	–
Fitting, handlebar support	M10x1.25	20 Nm (14.8 lbf ft)	–
Fitting, shock absorber, bottom	M10x1.25	51 Nm (37.6 lbf ft)	Loctite® 243™
Nut, mirror, right	M10LHx1.25	16 Nm (11.8 lbf ft)	–
Screw, combination instrument bracket	M10x1.25	21 Nm (15.5 lbf ft)	–
Screw, front footrest bracket	M10x1.25	44 Nm (32.5 lbf ft)	–
Screw, front footrest bracket / engine bearer	M10x1.25	49 Nm (36.1 lbf ft)	–
Screw, side stand bracket	M10x1.25	25 Nm (18.4 lbf ft)	Loctite® 243™
Screw, top shock absorber	M10x1.25	51 Nm (37.6 lbf ft)	Loctite® 243™
Stud, rear sprocket	M10x1.25	50 Nm (36.9 lbf ft)	–
Nut, rear wheel spindle	M14x1.5	98 Nm (72.3 lbf ft)	–
Nut, swingarm pivot	M14x1.5	98 Nm (72.3 lbf ft)	–
Screw, steering head, top	M16x1.5	49 Nm (36.1 lbf ft)	Loctite® 243™
Lambda sensor	M18x1.5	19 Nm (14 lbf ft)	–
Swingarm bearing adjusting ring	M22x1	Tighten and ensure that there is no play	–

22 TECHNICAL DATA

Nut, steering head	M30x1	1st stage 45 Nm (33.2 lbf ft) 2nd stage (loosen, counter-clockwise) 2 turns 3rd stage 5 Nm (3.7 lbf ft)	-
--------------------	-------	--	---

23.1 EU declaration of conformity



Info

The functional and equipment scope is model-dependent and may not include all wireless systems referred to.

COBO SpA hereby declares that the **BT-ROUTER** wireless system conforms with the relevant guidelines. The full text of the EU Declaration of Conformity is available at the following Internet address.

Certification website: <http://www.ktm.com/btrouter>

JNS Instruments Ltd. hereby declares that **210M1100** wireless system conforms with the relevant guideline. The full text of the EU Declaration of Conformity is available at the following Internet address.

Certification website: <http://www.ktm.com/210m1100>

KTM AG hereby declares that the **KTM RACE ON system** wireless system conforms with the relevant guidelines. The full text of the EU Declaration of Conformity is available at the following Internet address.

Certification website: <http://www.ktm.com/ktm-race-on-system>

KTM AG hereby declares that the **LC8 DASHBOARD** wireless system conforms with the relevant guidelines. The full text of the EU Declaration of Conformity is available at the following Internet address.

Certification website: <http://www.ktm.com/lc8-dashboard>

Schrader Electronics Ltd hereby declares that **Tyre Pressure Monitoring Sensor "BC5A4"** wireless system conforms with the relevant guideline. The full text of the EU Declaration of Conformity is available at the following Internet address.

Certification website: <http://www.ktm.com/tpms>

Schrader Electronics Ltd hereby declares that **Tyre Pressure Monitoring Sensor "RDC3"** wireless system conforms with the relevant guideline. The full text of the EU Declaration of Conformity is available at the following Internet address.

Certification website: <http://www.ktm.com/tpms>

23.2 FCC declaration of conformity



Info

The functional and equipment scope is model-dependent and may not include all wireless systems referred to.

210M1100

FCC ID: 2AKR7-210M1100

IC: 22291-210M1100

BT-ROUTER

FCC ID: Z64-2564N

IC: 4511-2564N

KTM RACE ON system - Active Key

FCC ID: VFZKLGKZADIO1

IC: 22239-KLGKZADIO1

KTM RACE ON system - Main Unit

FCC ID: VFZKLMZADIO1

IC: 22239-KLGMZADIO1

LC8 DASHBOARD

FCC ID: 2AKP9-LC8CLUSTER1

IC: 22273-LC8CLUSTER1

Tyre Pressure Monitoring Sensor "BC5A4"

FCC ID: MRXBC5A4

IC: 2546A-BC5A4

Tyre Pressure Monitoring Sensor "RDC3"

FCC ID: MRXRDC3

IC: 2546A-RDC3

Warning

This device complies with article 15 of the FCC regulations.

Operation is subject to the following two conditions:

23 DECLARATIONS OF CONFORMITY

- 1 This device must not cause harmful interference.
- 2 This device must be able to absorb any received interference, including interference that potentially causes undesirable operation.

This equipment has been tested and complies with the limits for Class B digital devices, in accordance with article 15 of the FCC regulations. These limits are designed to provide satisfactory protection against harmful interference in residential areas. Devices of this type generate and use and also transmit radio frequencies. Therefore, if they are not installed and operated in accordance with the instructions, they may cause harmful interference to radio reception. However, there is no guarantee that interference will not occur in certain cases of application. Should this device cause harmful interference to radio or television reception, (check this by switching the device on and off), you can potentially eliminate this interference as follows:

- Re-align the receiving antenna.
- Increase the distance between device and radio receiver.
- Connect the device and the radio receiver to separate electric circuits.
- Consult your dealer or a radio/TV technician.

Alterations and modifications not expressly approved by the relevant authority may result in the user being prohibited from operating the equipment.

Brake fluid DOT 4 / DOT 5.1

Standard/classification

- DOT

Guideline

- Use only brake fluid that complies with the specified standard (see specifications on the container) and that exhibits the corresponding properties.

Recommended supplier

Castrol

- **REACT PERFORMANCE DOT 4**

Motorex®

- **Brake Fluid DOT 5.1**

Coolant

Guideline

- Only use high-grade, silicate-free coolant with corrosion inhibitor additive for aluminum motors. Low grade and unsuitable antifreeze causes corrosion, deposits and frothing.
- Do not use pure water as only coolant is able to meet the requirements needed in terms of corrosion protection and lubrication properties.
- Only use coolant that complies with the requirements stated (see specifications on the container) and that has the relevant properties.

Antifreeze protection to at least	-25 °C (-13 °F)
-----------------------------------	-----------------

The mixture ratio must be adjusted to the necessary antifreeze protection. Use distilled water if the coolant needs to be diluted.

The use of premixed coolant is recommended.

Observe the coolant manufacturer specifications for antifreeze protection, dilution and miscibility (compatibility) with other coolants.

Recommended supplier

Motorex®

- COOLANT M3.0

Engine oil (SAE 15W/50)

Standard/classification

- JASO T903 MA (📖 p. 190)
- SAE (📖 p. 190) (SAE 15W/50)

Guideline

- Use only engine oils that comply with the specified standards (see specifications on the container) and that possess the corresponding properties.

Partially synthetic engine oil

Recommended supplier

Motorex®

- Formula 4T

Engine oil (SAE 10W/40)

Standard/classification

- JASO T903 MA (📖 p. 190)
- SAE (📖 p. 190) (SAE 10W/40)

Guideline

- Use only engine oils that comply with the specified standards (see specifications on the container) and that possess the corresponding properties.

Partially synthetic engine oil

Recommended supplier

Motorex®

- Formula 4T

Fork oil (SAE 5)

Standard/classification

- SAE (📖 p. 190) (SAE 5)

Guideline

- Use only oils that comply with the specified standards (see specifications on the container) and that possess the corresponding properties.

Recommended supplier

Motorex®

- Racing Fork Oil

Super unleaded (ROZ 95/RON 95/PON 91)

Standard/classification

- DIN EN 228 (ROZ 95/RON 95/PON 91)

Guideline

- Only use unleaded super fuel that matches or is equivalent to the specified fuel grade.
- Fuel with an ethanol content of up to 10 % (E10 fuel) is safe to use.



Info

Do **not** use fuel containing methanol (e. g. M15, M85, M100) or more than 10 % ethanol (e. g. E15, E25, E85, E100).

Chain cleaner

Recommended supplier

Motorex®

- Chain Clean

Chain lube for road use

Guideline

Recommended supplier

Motorex®

- Chainlube Road

Fuel additive

Recommended supplier

Motorex®

- Fuel Stabilizer

Long-life grease

Recommended supplier

Motorex®

- Bike Grease 2000

Motorcycle cleaner

Recommended supplier

Motorex®

- Moto Clean

Perfect Finish and high gloss polish for paints

Recommended supplier

Motorex®

- Moto Polish & Shine

Preserving materials for paints, metal and rubber

Recommended supplier

Motorex®

- Moto Protect

Special cleaner for glossy and matte paint finishes, metal and plastic surfaces

Recommended supplier

Motorex®

- Quick Cleaner

Universal oil spray

Recommended supplier

Motorex®

- Joker 440 Synthetic

JASO T903 MA

Different technical development directions required a separate specification for 4-stroke motorcycles – the **JASO T903 MA** standard. Earlier, engine oils from the automobile industry were used for 4-stroke motorcycles because there was no separate motorcycle specification.

Whereas long service intervals are demanded for automobile engines, the focus for motorcycle engines is on high performance at high engine speeds.

In most motorcycle engines, the transmission and the clutch are lubricated with the same oil.

The **JASO MA** standard meets these special requirements.

SAE

The SAE viscosity classes were defined by the Society of Automotive Engineers and are used for classifying oils according to their viscosity. The viscosity describes only one property of oil and says nothing about quality.

27 INDEX OF SPECIAL TERMS


ABS	ABS	Safety system that prevents locking of the wheels when driving straight ahead without the influence of lateral forces
DRL	Daytime Running Light	Light, which enhances the visibility of the vehicle during the day but is not focused, and in contrast to low beam does not illuminate the road surface
	KTM MY RIDE	System for wireless communication with appropriate cellphones and headsets for telephony and audio
OBD	On-board diagnosis	Vehicle system that monitors emission- and safety-related values

28 LIST OF ABBREVIATIONS

Art. no.	Article number
ca.	circa
cf.	compare
e.g.	for example
etc.	et cetera
i.a.	inter alia
no.	number
poss.	possibly




29.1 Red symbols

Red symbols indicate an error condition that requires immediate intervention.

	The oil pressure warning lamp lights up red – The oil pressure is too low.
--	--




29.2 Yellow and orange symbols

Yellow and orange symbols indicate an error condition that requires prompt intervention. Active driving aids are also represented by yellow or orange symbols.

	Malfunction indicator lamp lights up yellow – The OBD has detected an emission- or safety-critical fault.
	ABS indicator lamp lights up yellow – Status or error messages relating to ABS.
	The general warning lamp lights up yellow – An operating safety (warning) message was detected. This is also shown on the display.

29.3 Green and blue symbols

Green and blue symbols reflect information.

	The turn signal indicator lamp flashes green simultaneously with the turn signal – The turn signal is switched on.
	The idle indicator lamp lights up green – The transmission is in idle.
	The high beam indicator lamp lights up blue – The high beam is switched on.

A

ABS	104
ABS fuses	
changing	135
Accessories	14
Antifreeze	
checking	144
Antilock brake system	104
Applying the brakes	76
Auxiliary substances	14

B

Baggage	68
Battery	
installing	131
recharging	132
removing	130
Brake discs	
checking	105
Brake fluid	
front brake, adding	107
rear brake, adding	113
Brake fluid level	
front brake, checking	106
rear brake, checking	112

Brake linings	
front brake, checking	109
rear brake, checking	116
Brakes	76

C

Capacity	
coolant	173
engine oil	159, 173
fuel	82, 174
Chain	
chain dirt accumulation, checking	94
checking	99
cleaning	95
Chain tension	
adjusting	97
checking	96
Chassis number	20
Clutch lever	22
Clutch lever play	
checking	153
Combination instrument	35-65
ABS	56
activation and test	35
Audio	52
Bluetooth	58
coolant temperature indicator	45
day-night mode	36

display	40
Distance	62
DRL	61
Extra Functions	65
Favourites	57
Favourites display	46
fuel level display	45
Fuel Cons	63
General Info	54
indicator lamps	38
Info	49
KTM MY RIDE	48
Language	64
menu	48
Motorcycle	49
ODO display	44
overview	35
Pairing	51
Preferences	50
Quick Selector 1	57
Quick Selector 1 display	47
Quick Selector 2	58
Quick Selector 2 display	47
Service	64
Settings	50
shift warning light	43
speed	42, 44
telephony	53
Temp	63

time	46
Trip 1	54
Trip 2	55
Warning	55
warning notes	37
Combination switch	23
overview	23
Coolant	
draining	148
Coolant level	
checking	144, 146
Cooling system	142
filling/bleeding	149
Customer service	15
D	
Declarations of conformity	182-184
EU	182
FCC	183
Diagnostics connector	141
E	
Electric starter button	26
Emergency OFF switch	26
Engine	
running in	67
Engine number	21

Engine oil	
adding	159
changing	156
Engine oil level	
checking	156
Engine sprocket	
checking	99
Environment	12
F	
Figures	15
Filler cap	
closing	30
opening	28
Filling up	
fuel	81
Foot brake lever	33
free travel, adjusting	111
free travel, checking	110
Fork legs	
dust boots, cleaning	91
Front rider's seat	
mounting	94
removing	93
Front spoiler	
installing	103
removing	102
Front wheel	
installing	118
removing	117
Fuse	
individual power consumers, changing	136
G	
Grab handles	31
H	
Hand brake lever	22
Headlight	
daytime running light	129
range, adjusting	139
Headlight adjustment	
checking	139
Horn button	25
I	
Ignition lock	27
Implied warranty	14
Indicator lamps	38
K	
Key number	21
L	
Light switch	24
Loading the vehicle	68

M

Misuse 9

Motorcycle

cleaning 161

lifting with front lifting gear 89

raising with the rear lifting gear 88

removing the rear from the lifting gear 88

taking from the front lifting gear 90

O

Oil filter

changing 156

Oil screen

cleaning 156

Operating substances 14

Owner's Manual 13

P

Parking 78

Passenger footrests 32

Passenger seat

mounting 93

removing 92

Play in the clutch lever

adjusting 155

Play in throttle cable

adjusting 153

Preparing for use

advice on first use 66

after storage 166

checks and maintenance when preparing for use 70

Protective clothing 12

R

Rear hub rubber dampers

checking 124

Rear sprocket

checking 99

Rear wheel

installing 121

removing 120

Riding 73

starting off 73

S

Safe operation 11

Seat lock 30

Service 15

Service schedule 83-85

Shift lever 32

adjusting 87

Shifting 73

Shock absorber

spring pretension, adjusting 86

Side stand 34

Spare parts	14
Starting	71
Steering	
locking	27
unlocking	28
Steering lock	27
Stopping	78
Storage	165
Switch	
on the left side of the handlebar	23
on the right side of the handlebar	26
T	
Technical data	
capacities	173
chassis	174
chassis tightening torques	177
electrical system	175
engine	170
engine tightening torques	171
fork	176
shock absorber	176
tires	176
Throttle cable play	
checking	152
Throttle grip	23
Time	
adjusting	60

Tire air pressure	
checking	127
Tire condition	
checking	125
Tool set	31
Transport	80
Troubleshooting	167-169
Turn signal switch	25
Type label	20

U

USB diagnostics plug	141
Use definition	9

V

View of vehicle	
front left	16
rear right	18

W

Warranty	14
Winter operation	
checks and maintenance steps	163
Work rules	12

READY TO RACE

[» www.ktm.com](http://www.ktm.com)



3213561en

02/2017

The KTM logo, consisting of the letters 'KTM' in a bold, italicized, sans-serif font, set against an orange background.

KTM Sportmotorcycle GmbH
3230 Mattighofen/Austria
<http://www.ktm.com>



KTM Group Partner



REG.NO. 12 100 6001

Photo: Mitterbauer/KTM

FCC/ISED Regulatory notices

Model: 210-M1100
FCC ID: 2AKR7-210M1100
IC: 22291-210M1100

Modification statement

Changes or modifications not expressly approved by the party responsible for compliance could void the user's authority to operate the equipment.

Les changements ou modifications non expressément approuvés par la partie responsable de la conformité pourraient annuler l'autorisation de l'utilisateur d'utiliser l'équipement.

Interference statement

This device complies with Part 15 of the FCC Rules and Industry Canada's licence-exempt RSS standards. Operation is subject to the following two conditions: (1) this device may not cause interference, and (2) this device must accept any interference, including interference that may cause undesired operation of the device.

Le présent appareil est conforme aux CNR d'Industrie Canada applicables aux appareils radio exempts de licence. L'exploitation est autorisée aux deux conditions suivantes : (1) l'appareil ne doit pas produire de brouillage, et (2) l'utilisateur de l'appareil doit accepter tout brouillage radioélectrique subi, même si le brouillage est susceptible d'en compromettre le fonctionnement.

Wireless notice

This device complies with FCC and ISED radiation exposure limits set forth for an uncontrolled environment and meets the FCC radio frequency (RF) Exposure Guidelines. This transmitter must not be co-located or operating in conjunction with any other antenna or transmitter.

Cet appareil est conforme aux limites d'exposition aux rayonnements de l'ISDE pour un environnement non contrôlé. L'émetteur ne doit pas être colocalisé ni fonctionner conjointement avec à autre antenne ou autre émetteur.

Interference statement

This device complies with Part 15 of the FCC Rules and Industry Canada's licence-exempt RSS standards. Operation is subject to the following two conditions: (1) this device may not cause interference, and (2) this device must accept any interference, including interference that may cause undesired operation of the device.

Le présent appareil est conforme aux CNR d'Industrie Canada applicables aux appareils radio exempts de licence. L'exploitation est autorisée aux deux conditions suivantes : (1) l'appareil ne doit pas produire de brouillage, et (2) l'utilisateur de l'appareil doit accepter tout brouillage radioélectrique subi, même si le brouillage est susceptible d'en compromettre le fonctionnement.

FCC Class B digital device notice

This equipment has been tested and found to comply with the limits for a Class B digital device, pursuant to part 15 of the FCC Rules. These limits are designed to provide reasonable protection against harmful interference in a residential installation. This equipment generates uses and can radiate radio frequency energy and, if not installed and used in accordance with the instructions, may cause harmful interference to radio communications. However, there is no guarantee that interference will not occur in a particular installation. If this equipment does cause harmful interference to radio or television reception, which can be determined by turning the equipment off and on, the user is encouraged to try to correct the interference by one or more of the following measures:

- Reorient or relocate the receiving antenna.
- Increase the separation between the equipment and receiver.
- Connect the equipment into an outlet on a circuit different from that to which the receiver is connected.
- Consult the dealer or an experienced radio/TV technician for help.

CAN ICES-3 (B) / NMB-3 (B)

This Class B digital apparatus complies with Canadian ICES-003.

Cet appareil numérique de classe B est conforme à la norme canadienne NMB-003.