



**APPENDIX G**  
**: USER'S MANUAL**

# MFSPOE-8 Network Switch

## Installation Manual



*MFSPOE-8 Installation Manual ©2010 URC, Inc.*

*The information in this manual is copyright protected. No part of this manual may be copied or reproduced in any form without prior written consent from Universal Remote Control, Inc.*

*UNIVERSAL REMOTE CONTROL, INC. SHALL NOT BE LIABLE FOR OPERATIONAL, TECHNICAL OR EDITORIAL ERRORS/OMISSIONS MADE IN THIS MANUAL.*

*The information in this manual may be subject to change without prior notice.*

*All other brand or product names are trademarks or registered trademarks of their respective companies or organizations.*



500 Mamaroneck Avenue, Harrison, NY 10528  
Phone: (914) 835-4484 Fax: (914) 835-4532  
[www.universalremote.com](http://www.universalremote.com)

## TABLE OF CONTENTS

Introduction	1
Features	2
Parts Guide	2
Front Panel Description	3
Rear Panel Description	4
MFSPOE-8 Installation Considerations	5
Installation	6
MFSPOE-8 Installed in a Small System	6
MFSPOE-8 Installation Optimized for Max Number of PoE Ports	7
MFSPOE-8 Installed in the area with the Network Distribution	8
Frequently Asked Questions	9
Specifications	10
USA Limited Warranty Statement	11
Federal Communication Commission Interference Statement	12
Regulatory Information to the user	13
Declaration of Conformity	14

## Introduction

The MFSPOE-8 Network switch is the ideal “Plug-n-Play” solution to supply power to Total Control Keypads and IP Cameras, while protecting network WAP’s (Wireless Access Points) from multicast audio streams.

Total Control products, like the DMS-1200 (Digital Multi-zone Amplifier), DMS-100 (Digital Single-Zone Digital Amplifier) and the SNP-1 (Streaming Network Player), all multicast audio streams onto the LAN. The nature of a “multicast” will shut down all wireless access to the network. The MFSPOE-8 was specifically designed for use with Total Control Systems and incorporates **pre-configured MAC filtering**. MAC Filtering completely solves the issue by confining multicast streams to the switch itself, never allowing streams to affect network traffic in the rest of the house. Pre-configuration means you don’t have to be a Network Engineer to configure this switch, simply plug your Total Control products into any port and you’re ready to go. “Plug-n-Play” integration produces reliable, predictable network performance.

**Warning: NEVER plug a WAP (Wireless Access Point) into the MFSPOE-8, since URC multicast audio streams will shut down any brand or model of WAP.**

There’s no need to worry about accidentally damaging any Non-PoE gear with the MFSPOE-8, it will never happen. Eight “Smart” 10/100 PoE (Power over Ethernet) auto-sensing ports determine if connected devices are PoE compliant or just standard network devices, and then apply the correct voltages. This greatly simplifies every installation by eliminating the need to run more wires, add separate power supplies (PoE Injectors) and additional AC power strips.

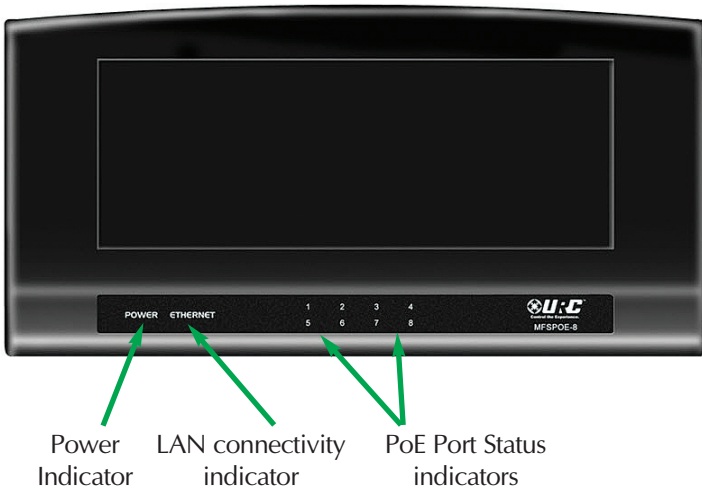
## Features

- ◆ MAC filtering prevents multicast audio streams from consuming network bandwidth.
- ◆ Smart PoE ports support keypads, IP cameras, etc.; also compatible with non-PoE devices.
- ◆ Eight (8) 10/100 Smart PoE (Power-Over-Ethernet) ports plus one LAN port.
- ◆ Activity and Status LEDs, plus Connectivity indicator
- ◆ Includes 48 volt power supply

## Parts Guide

- 1 - MFSPOE-8 MAC Filtering Switch with PoE
- 1 – 1.5M CAT5 Ethernet Cable
- 1 – 48V AC Power Adapter
- 1 – Power Cord for AC Power Adapter
- 1 – Wall Mount Plate and Four Mounting Screws
- 1 – Quick Install Guide

## Front Panel Description

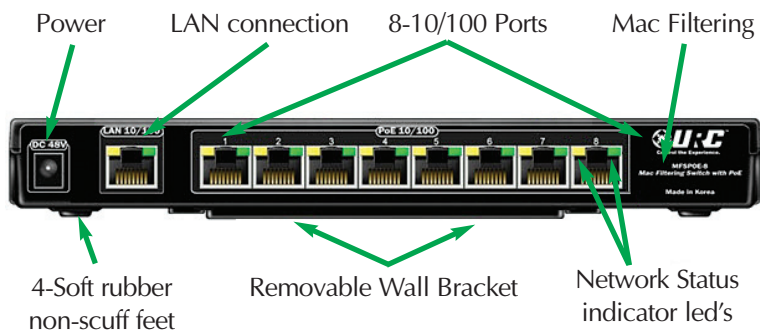


**Power Indicator:** Illuminates when the MFSPOE-8 Power Supply is connected to AC outlet.

**Ethernet Network Connectivity Indicator:** Illuminates when the MFSPOE-8 is connected to a LAN and has received an IP Address.

**PoE Port Status Indicators:** Illuminate when a PoE compliant device is connected to a port.

## Rear Panel Description



**Power:** Provides connection to Included 48V Power Supply.

**LAN Connection:** Provides connection to the LAN (Local Area Network).

**PoE 10/100 Smart Ports:** 8 - PoE 10/100 Smart Ports automatically provide power and connection to compliant PoE devices like Keypads and IP Cameras, while simultaneously providing a safe, non-powered connection to standard Ethernet devices.

**MAC Filtering:** MAC Filtering prevents multicast audio streams from consuming network bandwidth. Streams are confined to the switch, optimizing local area network performance.

**Network Connectivity and Activity Status Indicators (port specific):** Status indicator LEDs display network connectivity and network traffic feedback, for easy troubleshooting.

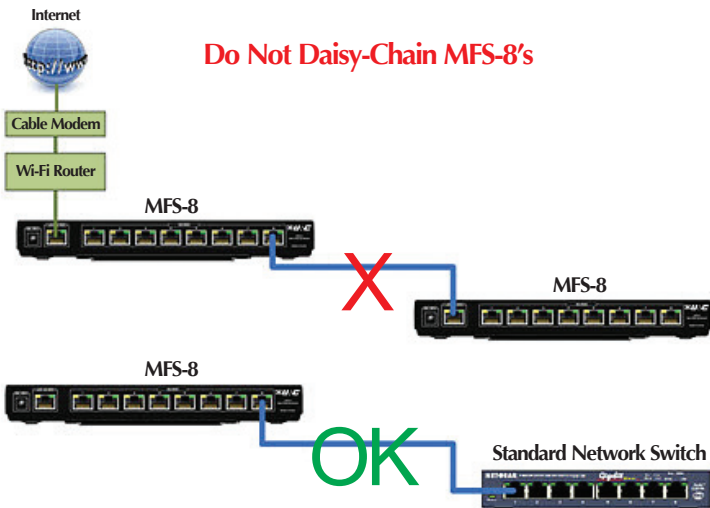
**Wall Mount Bracket:** Convenient removable wall bracket allows the MFSPOE-8 to be mounted to the back of a cabinet or rack. Remove the wall bracket when placing the MFSPOE-8 on a shelf or stand.



## MFSPOE-8 Installation Considerations

Only one MAC Filtering switch should be used in a typical Total Control system. All streaming products like the DMS-1200, DMS-100 and SNP-1 must be connected to the switch. Other Total Control devices that don't stream (like the MRX-10 or the MRX-1) don't have to be connected to the MFS-POE-8.

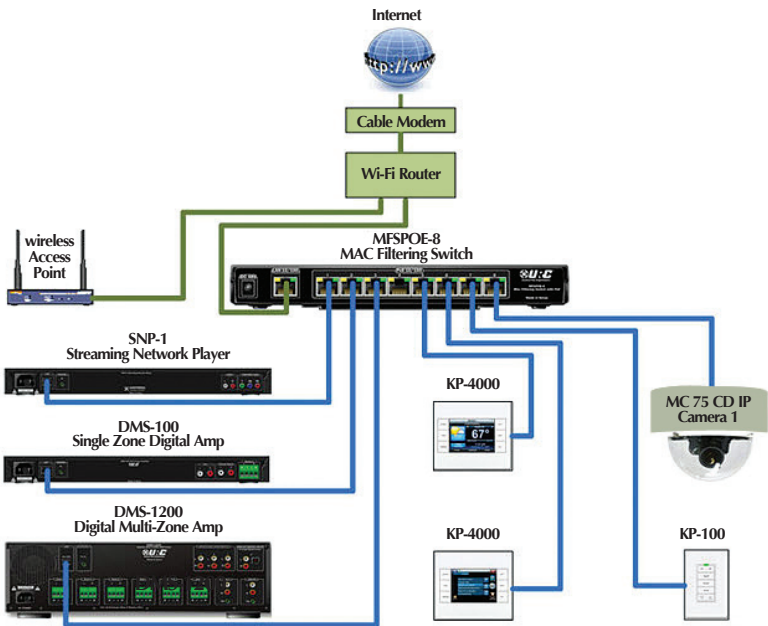
You cannot daisy-chain MFSPOE-8 MAC Filtering switches; communication between switches will be blocked. If you have more than eight of the above streaming components, simply connect a standard network switch to any port on the MFSPOE-8 and then connect the additional components to the standard switch. This allows the additional components to benefit from the MFSPOE-8's MAC Filtering, without affecting communication between devices. If you need more PoE ports, you can plug any standard PoE network switch into any of the available ports, to expand the network.



## Installation

1. On the back of the MFSPOE-8, connect one end of a CAT5 cable to the port labeled LAN 10/100.
2. Connect the other end of the CAT5 cable to the LAN(Local Area Network).
3. Connect Total Control and standard network devices to any of the eight PoE 10/100 Smart Ports.
4. Connect the supplied 48V Power Supply to the MFSPOE-8 and then plug it into an unswitched AC outlet.
5. Once powered up, the unit begins working in approximately 30 seconds.

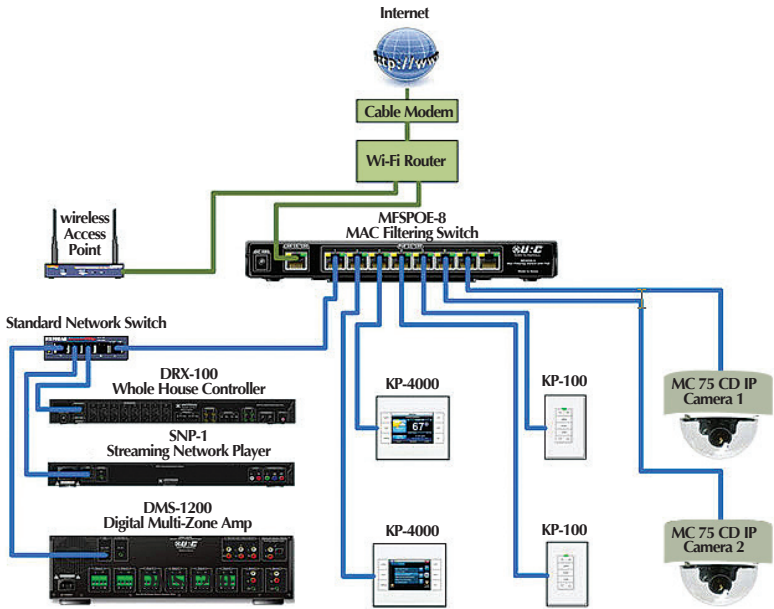
## MFSPOE-8 Installed in a Small System



### Notes:

- The Wireless Access Point CANNOT be connected to the MFSPOE-8; it must be connected to the Router in the LAN.

# MFSPOE-8 Installation Optimized for Max Number of PoE Ports

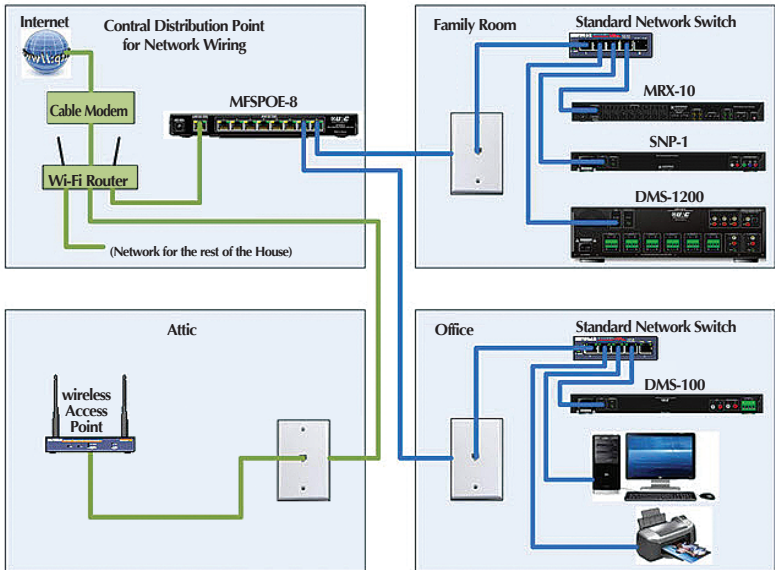


## Notes:

- The Wireless Access Point CANNOT be connected to the MFSPOE-8; it must be connected to the Router in the LAN.
- A standard network switch is used to connect the DMS-1200 and SNP-1 to the MFSPOE-8. This configuration provides MAC Filtering to the Total Control streaming components, while freeing up additional ports on the MFSPOE-8 to connect PoE devices like Keypads and IP Cameras.
- A MRX-10 doesn't have to be connected to the MFSPOE-8, but can be connected to a MFSPOE-8 when convenient to do so.

## MFSPOE-8 Installed in the area with the Network Distribution

Occasionally you get a retrofit installation where only one CAT5 wire has been run to a room, and there's no way to run another. In this case, locate the MFSPOE-8 in the Utility Room, Garage, or wherever the central distribution point for the Network is located, and install standard network switches in rooms where you plan to locate a DMS-1200, DMS-1200 or SNP-1.



### Notes:

- The Wireless Access Point CANNOT be connected to the MFSPOE-8; it must be connected to the Router in the LAN.
- Standard network switches are used to connect the DMS-1200, DMS-100 and SNP-1 to the MFSPOE-8. This configuration provides MAC Filtering to the Total Control streaming components, while freeing up additional ports on the MFSPOE-8 to connect PoE devices like Keypads and IP Cameras.
- A MRX-10 doesn't have to be connected to the MFSPOE-8, but can be connected to a MFSPOE-8 when convenient to do so.

## Frequently Asked Questions

### **Do I need to use a MFSPOE-8 in a Total Control system?**

If you are only controlling a Home Theater with a MRX-10, and there are no Total Control streaming sources like the DMS-1200 or DMS-100 in the system, then the answer is NO, you do not need to use a MFSPOE-8. If you have DMS-1200(s) or DMS-100(s) in the system, then the answer is YES, you must use a MFSPOE-8 or MFS-8 in the system, connected to the those components.

### **Can I connect both PoE (Power over Ethernet) devices and Non-PoE devices to the MFSPOE-8?**

Yes, the MFSPOE-8 incorporates Smart Port technology which automatically determines whether a connected device is a PoE device, or a standard device, and only applies voltage to PoE devices. All standard (Non-PoE) network devices can safely be connected to the MFSPOE-8.

### **What if I have more than eight devices that are PoE?**

You can connect a standard PoE switch anywhere on the LAN to expand the network.

### **Can I use the MFSPOE-8 to power a PoE WAP (Wireless Access Point)?**

No, the WAP will not function properly when multiple streams are occurring in the system. Connect the WAP to a standard PoE network switch, outside of the MFSPOE-8. Never connect a WAP to the MFSPOE-8.

### **What if I have a large Total Control system? Should I use the MFSPOE-8?**

If you have a large Total Control system with multiple DMS-1200's, DMS-100's, SNP-1's, Keypads and IP Cameras, the better solution is to use a MFS-8 (the Non-PoE version of the MAC Filtering switch) to connect all the streaming products and use conventional PoE switches to power all the Keypads and IP Cameras. See the Large System diagram in the MFS-8 User Guide for more details.

### **I have one CAT5 cable going to a room where my client has a network printer and a PC and I need to install a DMS-100 Single Zone Amplifier, via the same CAT5 cable, in the room. How do I connect everything?**

Install the MFSPOE-8 in the room that contains the CAT5 distribution for the entire house. In the room where you plan to install the

DMS-100, connect a standard network switch to the incoming CAT5, and then connect the DMS-100, PC and Printer to the switch. It is not recommended to connect PC's used for internet gaming to a MFSPOE-8, as this may affect the performance of video gaming during heavy stream usage.

## **Specifications**

Microprocessor: 55MHz RISC

Memory: 4 Megabits of Serial Flash, 512KB Flash, 128KB SRAM

Network: Switching - Eight 10/100 Ethernet ports + Eight PoE ports  
LAN - One 10/100 Ethernet port

Power Supply: 48V External Power Supply

POWER OUT: 8 Port POE OUTPUT(6.2W\*8=50W, 1PORT  
MAX=15.4W)

Size: 1.5" x 9.8" x 4.9" (H X W x D)

Weight: 0.78 lbs. (0.35kg)

## USA Limited Warranty Statement

Your Universal Remote Control, when delivered to you in new condition, is warranted against defects in materials or workmanship as follows: **UNIVERSAL REMOTE CONTROL, INC.** warrants this product against defects in material or workmanship for a period of one (1) year and as set forth below. Universal Remote Control will, at its sole option, repair the product using new or comparable rebuilt-parts, or exchange the product for a comparable new or rebuilt-product. **In the event of a defect, these are your exclusive remedies.**

This Limited Warranty covers only the hardware components packaged with the Product. It does not cover technical assistance for hardware or software usage and it does not cover any software-products whether or not contained in the Product; any such software is provided "AS IS" unless expressly provided for in any enclosed software Limited Warranty.

To obtain warranty service, you must deliver the product, freight-prepaid, in its original packaging or packaging affording adequate protection to Universal Remote Control at the address provided in the Owner's Manual. **It is your responsibility to backup any macroprogramming, artwork, software or other materials that may have been programmed into your unit. It is likely that such data, software, or other materials will be lost during service and Universal Remote Control will not be responsible for any such damage or loss.** A dated purchase receipt, Bill of Sale, Installation Contract or other verifiable Proof of Purchase is required. For product support and other important information visit Universal Remote Control's website: <http://www.UniversalRemote.com> or call the Customer Service Center (914) 835-4484.

This Limited Warranty only covers product issues caused by defects in material or workmanship during ordinary consumer use. It does not cover product issues caused by any other reason, including but not limited to product issues due to commercial use, acts of God, third-party installation, misuse, limitations of technology, or modification of or to any part of the Universal Remote Control product. This Limited Warranty does not cover Universal Remote Control products sold as USED, AS IS, REFURBISHED, so-called "B STOCK" or consumables (such as batteries). This Limited Warranty is invalid if the factory-applied serial number has been altered or removed from the product. This Limited Warranty is valid only in the United States of America. **This Limited Warranty specifically excludes products sold by unauthorized resellers.**

## Federal Communication Commission Interference Statement

This equipment has been tested and found to comply with the limits for a Class B digital device, pursuant to part 15 of the FCC Rules. These limits are designed to provide reasonable protection against harmful interference in a residential installation. This equipment generates, uses and can radiate radio frequency energy and, if not installed and used in accordance with the instructions, may cause harmful interference to radio communications. However, there is no guarantee that interference will not occur in a particular installation. If this equipment does cause harmful interference to radio or television reception, which can be determined by turning the equipment off and on, the user is encouraged to try to correct the interference by one more of the following measures:

- ◆ Reorient or relocate the receiving antenna.
- ◆ Increase the separation between the equipment and receiver.
- ◆ Connect the equipment into an outlet on a circuit different from that to which the receiver is connected.
- ◆ Consult the dealer or an experienced radio/TV technician for help.

### Warning!

Changes or modifications not expressly approved by the manufacturer could void the user's authority to operate the equipment.

Note : The manufacturer is not responsible for any Radio or TV interference caused by unauthorized modifications to this equipment. Such modifications could void the user's authority to operate the equipment.

### FCC Caution

This device complies with Part 15 of the FCC Rules. Operation is subject to the following two conditions: (1) this device may not cause harmful interference, and (2) this device must accept any interference received, including interference that may cause undesired operation.

Any changes or modifications not expressly approved by the party responsible for compliance could void the authority to operate equipment.



## Regulatory Information to the user

### ■ CE conformity Notice

Products with “CE” marking comply EMC Directive 2004/108/EC issued by the commission of the European Community.

#### 1) EMC Directive

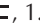
- Emission : EN 55022
- Immunity : EN 55024
- Power : EN-61000-3-2, 3

### ■ Declaration of Conformity

“Hereby, Universal Remote Control Inc. declares that this MFSPOE-8 is in compliance with the Essential requirements and other relevant provisions of EMC Directive 2004/108/EC.”



**Universal Remote Control®**

Certification	CE
Type No.(Model No.)	MFSPOE-8
Batch/Serial No.	-
Power Rating	48.0V  , 1.25A

## Declaration of Conformity

Company Name : Universal Remote Control Inc.  
 Company Address : 500Mamaroneck Avenue, Harrison, NY 10528, U.S.A  
[www.universalremote.com](http://www.universalremote.com)  
 Contact Information : Phone: (914)835-4484 Fax: (914)835-4532  
 Brand Name : UNIVERSAL remote control  
 Product Name : Mac Filtering Switch with PoE  
 Model Name : MFSPOE-8

This product herewith complies with the requirements of EMC Directive (2004/108/EC) issued by the Commission of the European Community

Compliance with these directives implies conformity to the following European Community

- EMC Directive
  - EN 55022
  - EN 55024
  - EN 61000-3-2
  - EN 61000-3-3

List of test reports and/or certificate verified compliance with the standards above

- EMC Directive
  - Report No.
  - Testing Laboratory : Gumi College EMC Center

Date of issue : November 09, 2010

Name and signature of authorized person : James Novak  
 Senior Product Manager  
 Universal Remote Control Inc.



*500 Mamaroneck Avenue, Harrison, NY 10528*

*Phone: (914) 835-4484 Fax: (914) 835-4532*

[www.universalremote.com](http://www.universalremote.com)