



APPENDIX H
: USER'S MANUAL

Wireless Charger Manual

Product Name : Wireless Charging PAD & Receiver

Model : PTC-130 / PRC-110

Manufacturer : Partron Co., Ltd.



22 Samsung 1-ro 2-gil, Hwaseong-si, Gyeonggi-do, Korea 445-170

TEL 82-31-201-7700 | FAX 82-31-201-7800 |

Homepage www.partron.co.kr / www.croise.co.kr

Precautions for safety

The contents inside the product warranty is described below to ensure user's safety and prevent property damage.

Please read the manual carefully to use the product appropriately.

Partron is not responsible for any injury or damage occurred by not following safety precautions.

Please do not use damaged power cord, plug, and loose socket.

Please do not contact power plug with wet hands, and do not unplug by pulling the cord part.

Please do not bend or damage power cord.

Please do not place or use the product nearby coin, key, cell phone, accessories, metal.

The product could cause the heat.

If the product overheated, please put down the cell phone from the charger for separation. Then, please pause using the product.

Please be cautious in use since the contact with the heated product on the skin could cause the red spots, pigmentation, and low-temperature burn.

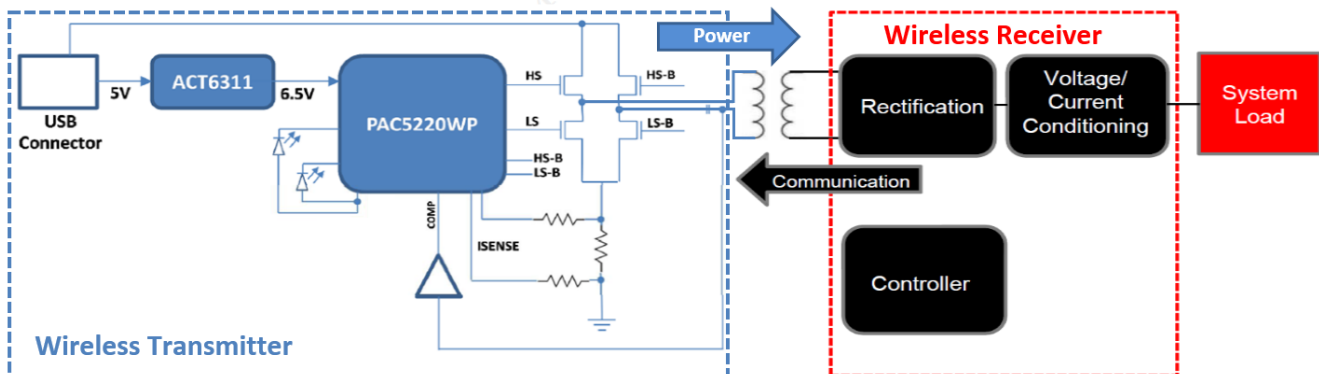
Please do not place the product nearby stove, microwave, heating utensil, or high heat container. This may cause a re.

- Do not drop the product or impact on the product.
- Do not store or leave the product on a sloping area.
- Product can be damaged, and internal parts can be broken.

- Please be cautious and guide children, baby or pet not to suck or bite the product.
- Please do not use the product other than its original purpose.
- Please leave the product on dry area where is not wet or damp.
Humidity or liquid components can damage on part and circuit of product. If product gets wet, remove the moisture with a dry towel and take it to service center.
- Do not alter, disassemble, or repair.
Make sure to use a repair service center qualified by Parton. Free repair is not available if there is any alteration, disassemble, or repair.

This device is built for home use (B level), and completed EMC registration. It is usable in every area, and primarily intended for use in homes and offices.

Block Diagram

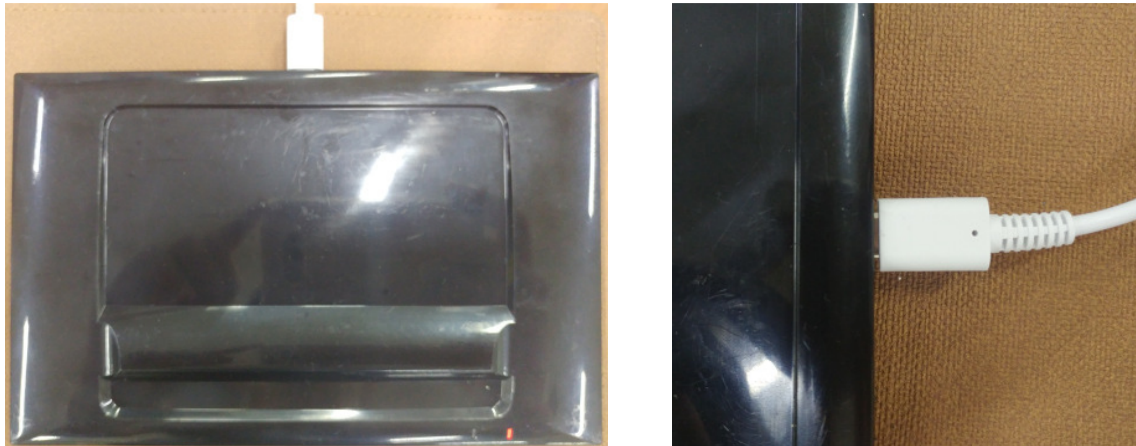


WPC-based wireless power systems consist of a charging pad (primary, transmitter) and the secondary-side equipment (receiver). There are coils placed in the charging pad and secondary equipment, which magnetically couple to each other when the receiver is placed on the transmitter.

Power is transferred from the primary to the secondary by transformer action between the coils. The receiver can achieve control over the amount of power transferred by requesting the transmitter to change the field strength by changing the frequency, or duty cycle, or voltage rail energizing the primary coil.

Using the Product

1. Please connect power after connecting AC ADAPTER to wireless charger.



(!) Be sure to use original 5V/2.0A AC ADAPTER. Otherwise, it will not be recharged properly, or it can cause defects or damage.

- Especially, AC ADAPTER for wireless charger is 5V/2.0A, so use of nonstandard ADAPTER can lead to slow recharge.

- If this 5V/2.0A original AC ADAPTER is used for existing mobile charger or other low ratings, it could cause re, explosion, or defects/damage.

(!!) Current status of product could be checked by the color of status indicator on wireless charger. If the status indicator does not function properly or incorrectly recognized, disconnect the charger and reconnect them.

Color of Status indicator	Wireless Charger Status
Off	Standby or Charging completed
White Fixed	Charging in progress
Orange Flashed Fast	When foreign object (knife, key, metal substance and etc) is recognized between TDC-7100 (or cell phone) and cradle, FOD function operates
Orange Flashed Slow	Pressure lower than rated power (5V/2A of Genuine Adapter is recommended.)
Orange Fixed	Wireless charger operates inappropriately (Over Temperature)

* Color of Status indicator after full charge will not be changed per phones

2. Firstly, please place cell phone on wireless charger after attaching either wireless charge cover or patch.



(!) Be sure to place rear side of your cell phone completely on wireless charger.

3. Please separate AC ADAPTER from wireless charger when charging is completed.

(!) To check charging status, please check charger icon on your cell phone display.

- Wireless charger might not function properly if foreign substances exist between cell phone and wireless charger.

- DMB is not available while wireless charging.

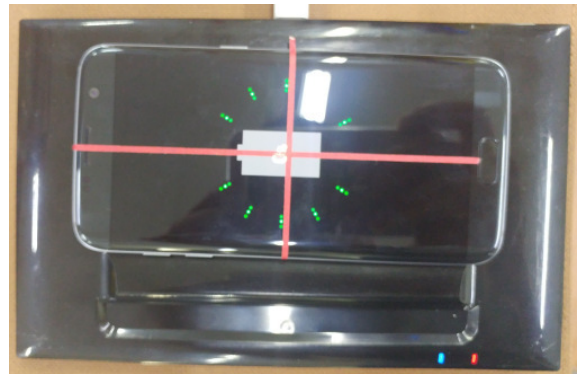
- If wireless charger is used where signal is weak, reception rate of cell phone could be weak.

- This product is compatible with the Wireless Power Consortium(WPC) certified product.

4. Please do not place wireless charger cover on wireless charger alone. This product has been designed to flow current when charger cover and wireless charger are correctly in contact. If a charger cover is left alone on charger, it might lead to excessive heat, which could cause re or defects/damage on the device.



(X)



(O)

Spec and Features

Wireless charging is enabled to charge batteries without the use of cables or device-specific AC adapters. As follows Detailed Specifications are :

ITEM	Specification
Size	200 x 125 x 17 (W x L x T) mm ³
Recharging Method	Magnetic Induction Method (WPC Standard)
Transmission Power	DC 5W (Maximum 5V, 1A)
Using Frequency Range	115 ~ 205kHz
Input Power	DC 5V, 2.0A
Operating Temperature	0 °C ~ +55 °C

2016-10-04 16:30:04
**30.88

Regulatory Compliance for TDC-7100CG

IMPORTANT NOTE: FCC Compliance statement

This device complies with part 18 of the FCC Rules.

IMPORTANT NOTE: FCC RF exposure statement

The antenna(s) used for this device must be installed to provide a separation distance of at least 20 cm from all persons and must not be co-located or operating in conjunction with any other antenna or transmitter.