

Department	
Model No.	MAJ-1901

Confidential

Drawing number		P1
Section	15. Instruction Manual	

Product Specification

Instruction Manual



MAJ-1901 Quick Start Guide

Department	
Model No.	MAJ-1901

Confidential

Product Specification

Drawing number		P2
Section	15. Instruction Manual	

Copyright 2010 Olympus Technologies Singapore Pte Ltd. All rights reserved.

Olympus and Olympus logo are trademarks of Olympus Technologies Singapore Pte Ltd. Other product and brand names may be trademarks or registered trademarks of their respective owners.

Olympus Technologies Singapore Pte Ltd assumes no responsibility for any damage or loss resulting from the use of this guide. Olympus Technologies Singapore Pte Ltd assumes no responsibility for any loss or claims by third parties which may arise through the use of this product. Olympus Technologies Singapore Pte Ltd assumes no responsibility for any damage or loss caused by deletion of data as a result of malfunction, dead battery or repairs. To protect against data loss, be sure to make backup copies (on other media) of all important data.

Important: Please read the End User License Agreement for this product before using the device or accompanying software program(s). Using the device or any part of the software indicates that you accept the terms of the End User License Agreement.

Department	
Model No.	MAJ-1901

Confidential

Product Specification

Drawing number		P3
Section	15. Instruction Manual	

Content and Additional Resources

To help you get started with your MAJ-1901 PDA, this guide features:

- Hardware Overview
- Getting Started
- Regulatory Information

For additional product details, visit www.olympus.com.sg

For software updates and information, visit www.microsoft.com.

Department	
Model No.	MAJ-1901

Confidential

Product Specification

Drawing number		P4
Section	15. Instruction Manual	

Hardware Overview

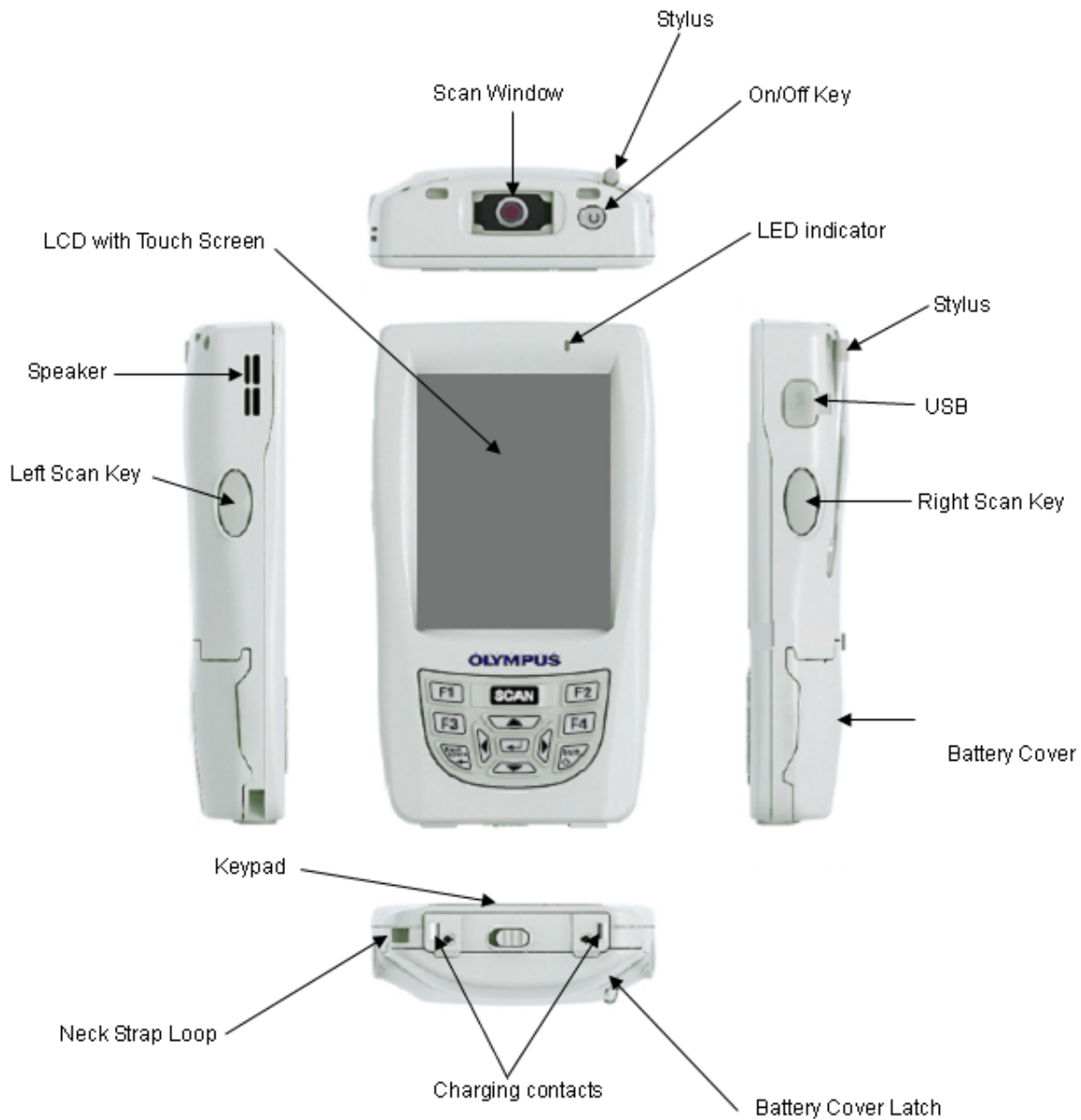


Figure 1: PDA Layout

Department	
Model No.	MAJ-1901

Confidential

Product Specification

Drawing number		P5
Section	15. Instruction Manual	

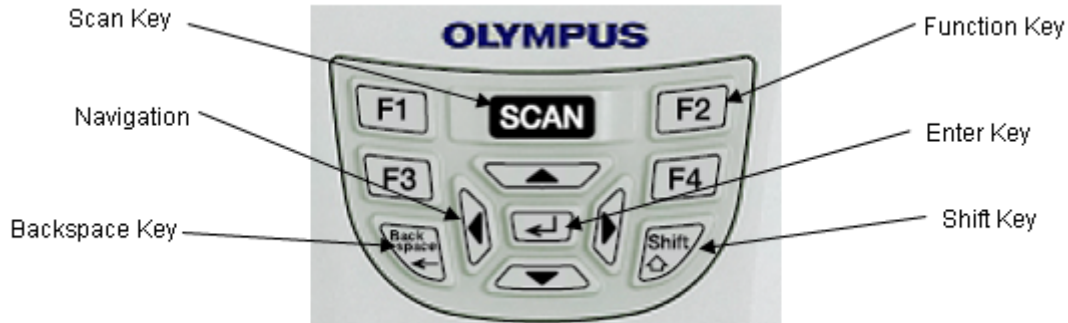


Figure 2: Keys Layout

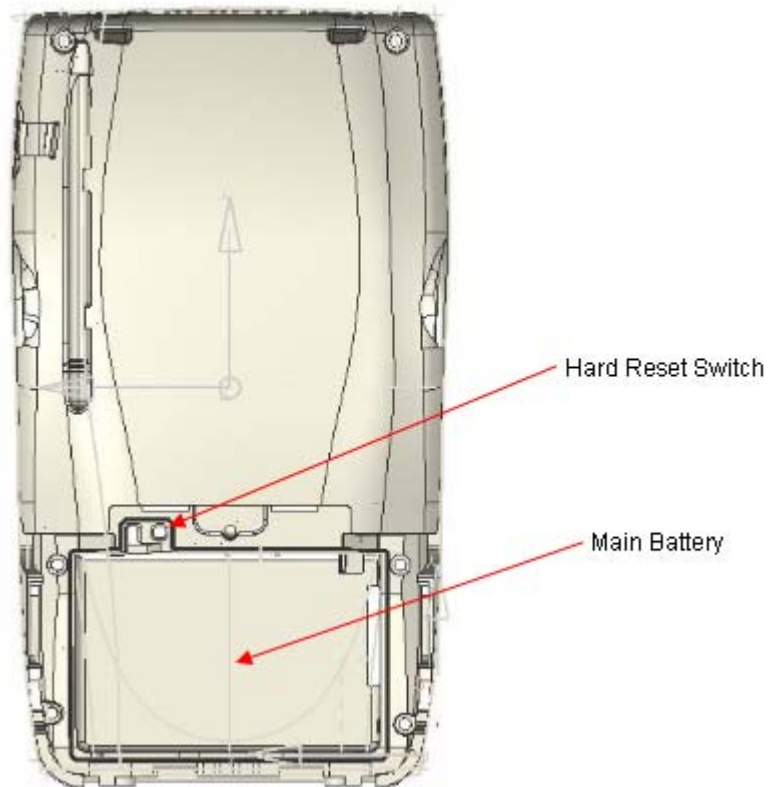


Figure 3: PDA Back Layout

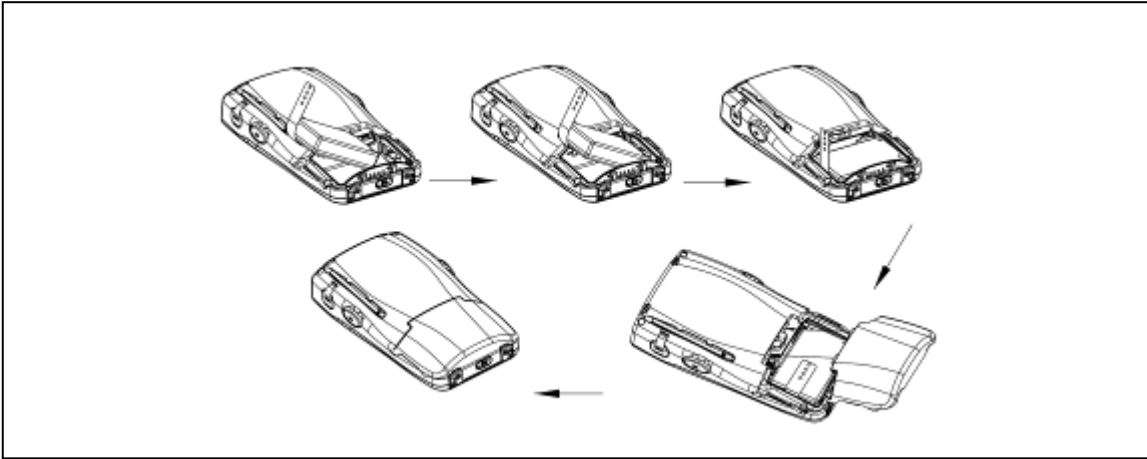
Department	
Model No.	MAJ-1901

Confidential
Product Specification

Drawing number		P6
Section	15. Instruction Manual	

Getting Started

Installing/Replacing the Main Battery



The main battery is replaceable after removing the battery cover located at the back of the PDA.

Charging the PDA (Main Battery)

- 1) Plug the power jack into cradle connector in the direction as shown.



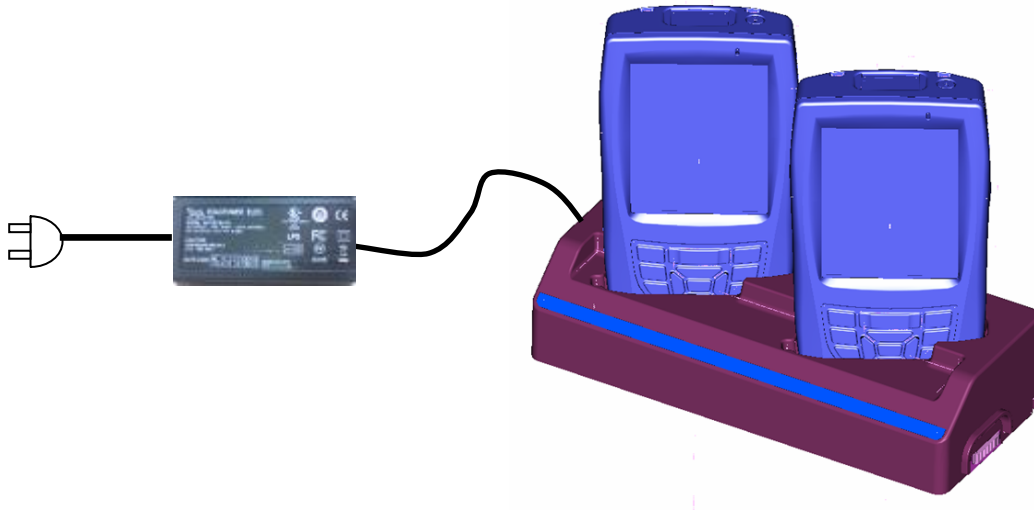
Department	
Model No.	MAJ-1901

Confidential

Product Specification

Drawing number		P7
Section	15. Instruction Manual	

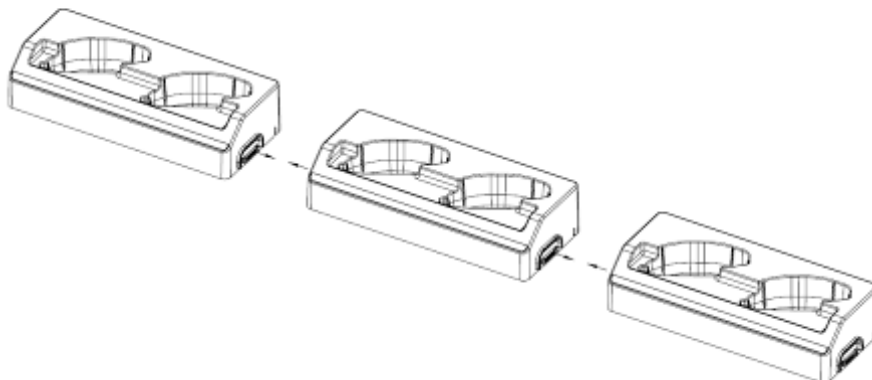
- 2) Switch on the power and ensure the Green LED on power adapter light up. Place the PDA in the cradle as shown, observe the amber LED at the top right corner of PDA:



The LED charging indicator is shown below:

<u>Mode</u>	<u>Amber LED</u>
Charging	Solid ON
Charge Full	OFF
Charging Fault	Blinking

- 3) Up to 3 cradles can be cascaded using the L-Bracket and screws provided to form a single gang cradle (refer to diagram below), and it is able to charge up to 6 PDA simultaneously. Note: If a fourth cradle is cascaded, the fourth cradle will not work at all.

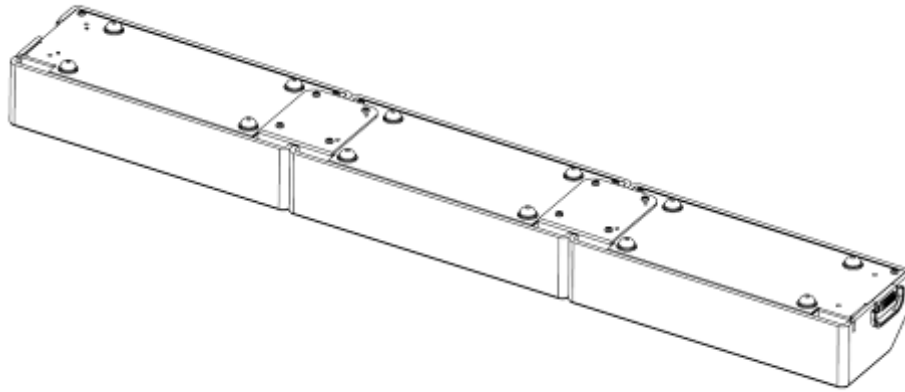
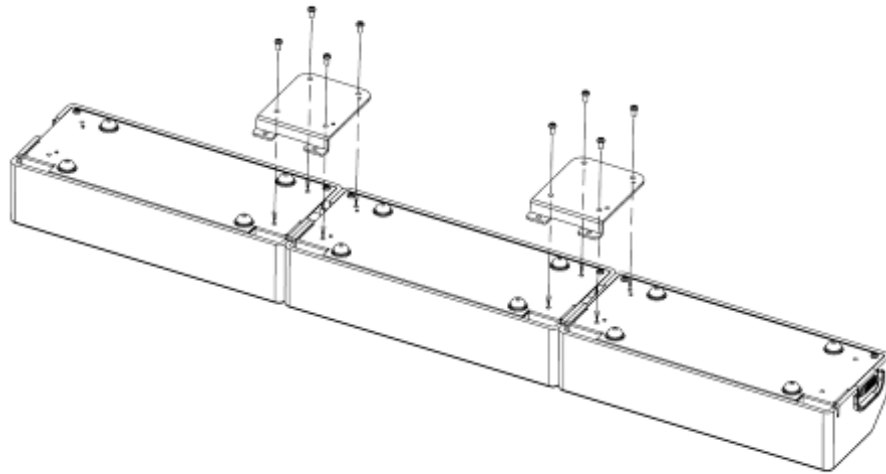


Department	
Model No.	MAJ-1901

Confidential

Product Specification

Drawing number		P8
Section	15. Instruction Manual	



Department	
Model No.	MAJ-1901

Confidential

Product Specification

Drawing number		P9
Section	15. Instruction Manual	

Resetting the PDA

Reset Type	Steps	Definition
Soft reset (Warm Boot)	1. Press Left Scan and F3 keys simultaneously.	OS and application software will be reset.
Hard reset (Cold Boot)	1. Remove battery compartment cover. 2. Press Reset switch (in battery compartment) using a stylus 3. Attach battery compartment cover. 4. Press Power On button.	Hardware will be reset.
Master reset (Clean Boot)	1. Remove battery compartment cover. 2. Press Reset switch (in battery compartment) using a stylus. 3. Attach battery compartment cover. 4. Press and hold the SCAN button. 5. Press Power On button.	System settings are restored to factory default.

Keys & Switches

Power Button	Refer to Figure 1.	
	Power button	Press this key once to power on the device, to resume the device from suspend mode, or to place the terminal into suspend mode.

Keypad	Refer to Figure 2
--------	-------------------

Department	
Model No.	MAJ-1901

Confidential

Drawing number		P10
Section	15. Instruction Manual	

Product Specification

	Application buttons	Equipped with 4 function keys F1, F2, F3, F4. The keys are user configurable via software application to launch particular applications.
	Enter button	Execute a selected application.
	Up button	Move a cursor upwards
	Down button	Move a cursor downwards
	Left button	Move cursor to the left
	Right button	Move cursor to the right
	Back button	Return to the previous level
	Shift button	Change the function keys to different set of function keys
	Scan Key	Trigger either the barcode scanner or RFID reader by application.

Side Button	Refer to Figure 1	
	Scan Buttons	Pressing any of these keys will trigger either the barcode scanner or RFID reader (controlled by software application).

Reset Switch	Refer to Figure 3
--------------	-------------------

Department	
Model No.	MAJ-1901

Confidential

Drawing number		P11
Section	15. Instruction Manual	

Product Specification

	Reset Switch	Reset switch is located inside the battery compartment.
--	--------------	---

LED Colors

Color	Definition
Amber	Indicate barcode scanning or RFID tag reading is in progress when in operation. Battery charging in progress when docked in cradle.
Green	Indicate barcode decoding and RFID reading successfully completed.
Amber Blinking	Indicate charging fault (when docked in cradle).

Department	
Model No.	MAJ-1901

Confidential

Product Specification

Drawing number		P12
Section	15. Instruction Manual	

Regulatory Information

Model no MAJ-1901 shall be considered as regulatory reference number.



All devices are designed to comply with local rules and regulations to the countries they are shipped. Any changes or modification without Olympus approval could void the user authority to operate the equipment. Only use Olympus-approved or recommended accessories. Use of alternative accessories will invalidate approval given to the device and may be dangerous.

Laser explanatory label



Power Supply

Use only Olympus-approved power supply model no EA10632B.

製品には、同梱された電源コードをお使い下さい。
同梱された電源コードは、他の製品では使用出来ません。

RF exposure guidelines

Department	
Model No.	MAJ-1901

Confidential

Product Specification

Drawing number		P13
Section	15. Instruction Manual	



This device was tested for typical body-worn operations with the terminal held on the hand. To maintain compliance with FCC RF exposure compliance requirements, use only hand during operation.

To comply with FCC RF exposure compliance requirements, the following antenna installation and device configurations must be satisfied:

- 1) Users are not permitted to make changes or modify the system anyway, and
- 2) Connecting external antenna to the card is prohibited. This device and antenna must not be co-located or operated with any other antenna or transmitter.

FCC SAR limit is 1.6W/kg. SAR test was conducted at FCC accredited laboratory. The highest SAR level measured for this product is 0.00952W/kg@1g (Body). [A distance of 1.5cm is kept when measuring body SAR.](#)

Department	
Model No.	MAJ-1901

Confidential

Drawing number		P14
Section	15. Instruction Manual	

Product Specification

Radio frequency interference requirements

United States



This equipment has been tested and found to comply with the limits for a Class B digital device, pursuant to Part 15 of the FCC Rules. These limits are designed to provide reasonable protection against harmful interference in a residential installation. This equipment generates, uses and can radiate radio frequency energy and, if not installed and used in accordance with the instructions, may cause harmful interference to radio communications. However, there is no guarantee that interference will not occur in a particular installation. If this equipment does cause harmful interference to radio or television reception, which can be determined by turning the equipment off and on, the user is encouraged to try to correct the interference by one or more of the following measures:

- Reorient or relocate the receiving antenna.
- Increase the separation between the equipment and receiver.
- Connect the equipment into an outlet on a circuit different from that to which the receiver is connected.

For further information, contact:

Olympus Technologies Singapore Pte Ltd.

N0 41 #04-17/18 The Gemini Science Park Road

Singapore 117610

Any changes or modifications made to this device that are not expressly approved by Olympus may void the user's

Department	
Model No.	MAJ-1901

Confidential

Product Specification

Drawing number		P15
Section	15. Instruction Manual	

authority to operate the equipment.

This device complies with Part 15 of the FCC Rules. Operation is subject to the following two conditions: (1) this device may not cause harmful interference, and (2) this device must accept any interference received, including interference that may cause undesired operation.

RFID statement for Japan

This device (or unit) is an RFID interrogator that uses electric waves.

Therefore this may affect active Implantable medical devices depending on the purpose of use or location.

When using the device, be sure to observe the following to minimize the influence:

1. Measure for operators of handheld type RFID interrogator

Operators that operate a handheld type RFID interrogator must not allow the antenna of the handheld type RFID interrogator to come within 22 cm from the section of the body carrying an active implantable medical device.

2. Measure for persons carrying active implantable medical device regarding stationary type or module type (including printer type) RFID interrogator

Persons carrying an active implantable medical device must not allow the carrying section to come within 22 cm from the antenna of the stationary type or module type (including printer type) RFID interrogator.


Department	
Model No.	MAJ-1901

Confidential

Product Specification

Drawing number		P16
Section	15. Instruction Manual	

Declaration of Conformity

 <p>DECLARATION OF CONFORMITY according to ISO/IEC 17050-1 and EN 17050-1</p>	
Manufacturer's Name:	Olympus Technologies Singapore Pte Ltd.
Manufacturer's Address:	41 Science Park Road, #04-17 The Gemini Singapore 117610
declares, that the product	
Product Model Number	MAJ-1901
Product Description	Personal Digital Assistant
conforms to the following Product Specifications:	
Safety:	IEC 60950-1:2005 2nd Edition / EN 60950-1:2006 /UL 60950-1 2 nd Edition
EMC:	ETSI EN 301 489-1 v1.8.1:2008 ETSI EN 301 489-17 v1.3.2:2002 ETSI EN 301 489-3 v1.4.1:2002 EN 61000-3-2:2006 EN 61000-3-3:1995+A1:2001+A2:2005 FCC Title 47CFR Part 15 Class B
Telecom:	EN 300 328 v1.7.1:2006 EN 302 291-2 v1.1.1:2005
SAR:	draft EN 62209-2:2007 FCC OET 65
Supplementary Information:	
<p>1) The product herewith complies with the requirements of the Low Voltage Directive 2006/95/EC, EMC Directive 2004/108/EC and R&TTE Directive 1999/5/EC and carries the CE marking accordingly.</p> <p>2) The Product was tested in a typical configuration.</p> <p>3) This device complies with Part 15 of FCC rule. Operation is subject to the following two conditions:</p> <p style="margin-left: 20px;">a) this device may not cause harmful interference and</p> <p style="margin-left: 20px;">b) this device must accept any interference received, including interference that may cause undesired operation.</p> <p>Persuant to Part 15.21 of FCC rules, any changes or modifications to this equipment not expressly approved by Olympus Company may cause harmful interference and void your authority to operate Equipment.</p>	
April xx , 2010	Authorized signature

European regulatory notice

This is a Class B product. In a domestic environment this product may cause radio interference in which case the user

Department	
Model No.	MAJ-1901

Confidential

Product Specification

Drawing number		P17
Section	15. Instruction Manual	

may be required to take adequate measure.

Products bearing the CE marking comply with the following EU Directives:

- Low Voltage Directive 2006/95/EC
- EMC Directive 2004/108/EC

CE compliance of this product is valid only if powered with the correct CE-marked AC adapter.

If this product has telecommunications functionality, it also complies with the essential requirements of the following EU Directive:

- R&TTE Directive 1999/5/EC

Compliance with these directives implies conformity to harmonized European standards (European Norms) that are listed in the EU Declaration of Conformity for this product or product family. This compliance is indicated by the following conformity marking placed on the product.



The wireless telecommunications functionality of this product may be used in the following EU and EFTA countries:

Austria, Belgium, Bulgaria, Cyprus, Czech Republic, Denmark, Estonia, Finland, France, Germany, Greece, Hungary, Iceland, Ireland, Italy, Latvia, Liechtenstein, Lithuania, Luxembourg, Malta, Netherlands, Norway, Poland, Portugal, Romania, Slovak Republic, Slovenia, Spain, Sweden, and United Kingdom.

Department	
Model No.	MAJ-1901

Confidential

Product Specification

Drawing number		P18
Section	15. Instruction Manual	

VCCI compliance statement

この装置は、情報処理装置等電波障害自主規制協議会（VCCI）の基準に基づくクラスB情報技術装置です。この装置は、家庭環境で使用することを目的としていますが、この装置がラジオやテレビジョン受信機に近接して使用されると受信障害を引き起こすことがあります。
取り扱い説明書に従って正しい取り扱いをして下さい。

Notice for Italy for use of 2.4 GHz wireless communication

License required for use. Verify with your dealer or directly with the General Direction for Frequency Planning and Management (Direzione Generale Pianificazione e Gestione Frequenze).

E' necessaria una concessione ministeriale anche per l'uso del prodotto. Verifici per favore con il proprio distributore o direttamente presso la Direzione Generale Pianificazione e Gestione Frequenze.

Notice for France for use of 2.4 GHz wireless communication

For 2.4 GHz Wireless LAN operation of this product certain restrictions apply. This product may be used indoor for the entire 2400-2483.5 MHz frequency band (channels 1-13). For outdoor use, only 2400-2454 MHz frequency band (channels 1-9) may be used up to 100mW and from 2454 to 2483.5 MHz band (channels 10-14), power is allowed up to 10mW only.

For the latest requirements, see <http://www.art-telecom.fr>.

Pour 2.4 GHz l'opération de réseau local sans fil de ce produit certaines restrictions s'appliquent. Ce produit pourrait être utilisé intérieur pour la bande de fréquence de MHz de 2400-2483.5 entier (dirige 1-13). Pour l'usage extérieur, seulement 2400-2454 bande de fréquence de MHz (dirige 1-9) pourrait être épuisé à 100mW et de 2454 à 2483,5 bande de MHz (dirige 10-14), le pouvoir est permis en haut à 10mW seulement. Pour les dernières conditions, voir <http://www.art-telecom.fr>.

Department	
Model No.	MAJ-1901

Confidential

Product Specification

Drawing number		P19
Section	15. Instruction Manual	

Japanese wireless statement

この機器の使用周波数帯では、電子レンジ等の産業・科学・医療用機器のほか工場の製造ライン等で使用されている移動体識別用の構内無線局（免許を要する無線局）及び特定小電力無線局（免許を要しない無線局）並びにアマチュア無線局（免許を要する無線局）が運用されています。

- 1 この機器を使用する前に、近くで移動体識別用の構内無線局及び特定小電力無線局並びにアマチュア無線局が運用されていないことを確認して下さい。
- 2 万一、この機器から移動体識別用の構内無線局に対して有害な電波干渉の事例が発生した場合には、速やかに使用周波数を変更するか又は電波の発射を停止した上、下記連絡先にご連絡頂き、混信回避のための処置等（例えば、パーティションの設置など）についてご相談して下さい。
- 3 その他、この機器から移動体識別用の特定小電力無線局あるいはアマチュア無線局に対して有害な電波干渉の事例が発生した場合など何かお困りのことが起きたときは、次の連絡先へお問い合わせ下さい。

Olympus Technologies Singapore Pte Ltd,

連絡先： _____ 41 Science Park Road #04-17, Singapore 117610

Department	
Model No.	MAJ-1901

Confidential

Product Specification

Drawing number		P20
Section	15. Instruction Manual	

Battery Safety Information



It is important to use batteries carefully. Use only Olympus-approved battery MAJ-1903 and recharge battery using only [MAJ-1902](#) charging cradle. Observe the following guidelines for safe use of Li-ion batteries.

- 1) Do not expose the battery to excessive heat or cold. Do not short-circuit. It may explode.
- 2) To avoid risk of fire, burn or damage to your battery, do not allow a metal object to touch battery contacts.
- 3) Do not disassemble the battery. There is no user serviceable part inside.
- 4) If electrolyte leakage is observed, avoid any contact with affected area and properly dispose the battery.
- 5) If you come in contact with electrolyte, rinse exposed area with soap and water. If it contacts the eye, flush the eye with water for 15 minutes and seek medical attention.
- 6) When discarding a battery, contact your local waste disposal provider to understand local restrictions on disposal or recycling of batteries.

Department	
Model No.	MAJ-1901

Confidential

Product Specification

Drawing number		P21
Section	15. Instruction Manual	

Waste Electrical and Electronic Equipment information

This product has required the extraction and use of natural resources for its production. It may contain hazardous substances that could impact health and the environment, if not properly disposed.

In order to avoid the dissemination of those substances in our environment and to diminish the pressure on the natural resources, we encourage you to use the appropriate take-back system for product disposal. Those systems will reuse or recycle most of the materials of the product you are disposing in a sound way.



This crossed-out wheel bin symbol informs you that the product should not be disposed of along with municipal waste and invites you to use the appropriate separate take-back systems for product disposal.

If you need more information on the collection, reuse and recycling systems, please contact your local waste administrator.

You may also contact your supplier for more information on the environmental performance of this product.

Department	
Model No.	MAJ-1901

Confidential

Product Specification

Drawing number		P22
Section	15. Instruction Manual	

OLYMPUS Your Vision, Our Future

www.olympus.com