

November 2016
PC-1611

PRODUCT CATALOG

Institutional Grade Cabinet Locks



See our line of
ANSI/BHMA A156.11
Grade 1 products

education | health care | gaming | airports | museums | prisons | banking | retail | laboratory | lockers

www.olympus-lock.com
206-362-3290 | 800-525-0954

OLYMPUS
LOCK, INC.
The cabinet lock innovators.

Olympus Lock, Inc.

The cabinet lock innovators.

New training videos now available on our website!



EXPERIENCE

Olympus Lock has over 30 years of experience designing and manufacturing easily rekeyable pin tumbler, interchangeable core and engineered cabinet lock bodies for third party cylinders. We offer a wide selection of keyways and cabinet lock solutions for commercial and institutional facilities. Our design philosophy is to create locks that provide long-term benefits to the facility through increased efficiency and easy maintenance.

APPLICATIONS

Olympus cabinet locks are used in a variety of cabinet and casework applications including: K-12 public schools, colleges and universities, correctional facilities, medical offices, hospitals, casinos, retail cash drawers, lockers, kiosks, retail showcases, airline ticket counters, museums, hotels and motels, amusement parks, theaters, restaurants, country clubs, libraries, airports, police stations, fire stations and churches.

PIN TUMBLER SOLUTIONS

Olympus Lock specializes in pin-tumbler cabinet locks for the institutional and retail marketplace. When large numbers of locks will be installed within a facility, pin tumbler locks are preferred because they are more secure and allow the complex master keying and sub-master keying required in larger institutional settings such as schools, banks and hospitals. We provide a wide range of cabinet lock options for the cost conscious, yet security minded user. Beyond that, we can supply cabinet locks keyed to match your door hardware allowing for "one-key" simplification.



INNOVATION

We hold numerous U.S. and Canadian patents proving our commitment to provide innovative solutions for your cabinet lock needs. It has always been the intent of Olympus to provide cabinet locks that are easy to install, use and service. Each product is carefully designed, engineered and manufactured to exacting standards. We offer a wide range of accessories to make the installation, use, and service of our products as easy as possible.

SERVICE

Our delivery is the fastest in the industry. We have an extensive inventory of off-the-shelf masterkeyed locks and can ship most custom keyed orders within 1-5 business days.

ELECTRONIC KEY RECORDS

We manage and save all our custom keying records for future reference. Need to add locks to an existing job? No problem. We've got all the records at our fingertips making it easy for you to order locks for various job phases. We manage the records so you don't have to.

SPECIFICATIONS

Olympus is an AIA certified education provider. We provide comprehensive pre-written architectural specifications for each of our locks. Specifications can be downloaded directly from our web site at www.olympus-lock.com or refer to pages 72 through 74 of this catalog.

CONTACT

Visit our website at olympus-lock.com or call us toll-free at 800-525-0954 for more information. Subscribe online to our eNews list and receive new product announcements, technical bulletins.

ARCHITECTURAL FINISH CHART

Olympus Lock offers locks in the most popular architectural finishes. Not all finishes are available on all products. See catalog page for standard finishes available on a specific item. Other finishes may be available through our custom plating service. Call Olympus for pricing and availability.

US CODE	BHMA	DESCRIPTION
US26	625	Bright chrome
US26D	626	Dull chrome
US3	605	Bright brass
US4	606	Satin brass
US32D	630	Satin stainless steel
US10B	613	Oil rubbed bronze
US19	622	Flat black coated



US26D / 626
Satin Chrome Plated

US3 / 605
Polished Brass

US10B / 613
Oil Rubbed Bronze

US4 / 606
Satin Brass

US26 / 625
Polished Chrome

Institutional grade cabinet locks

Heavy duty locks for high use applications

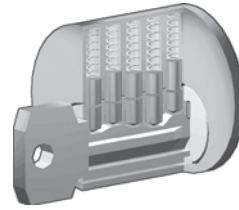
BENEFITS OF PIN TUMBLER

Pin tumbler key systems provide significantly more key changes than disc tumbler systems. See the chart below for the typical number of allowable key changes under a single master key:

- Wafer/disc 80 key changes
- 4 pin tumbler..... 650 key changes
- 5 pin tumbler..... 2,000 key changes
- 6 pin tumbler..... 4,000 key changes
- 7 pin tumbler..... 16,000 key changes

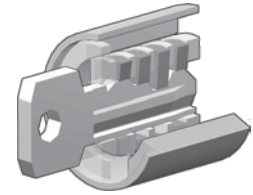
ANSI/BHMA STANDARDS

We offer a selection of cabinet locks that have passed ANSI/BHMA Grade 1 or Grade 2 testing requirements and are compatible for use when ANSI/BHMA locks are specified.



PIN TUMBLER

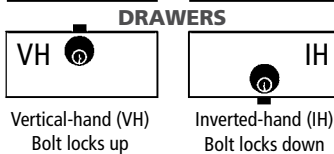
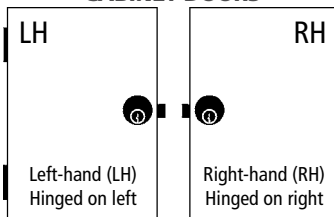
- 5 or 6 chambers, pin #s 0-9 (10 total steps per chamber)
- 2000+ keyed different and master keyed total key changes
- Can be grand master keyed
- More secure keyway
- For high-use commercial applications



DISC TUMBLER

- 5 or 6 chambers disc #s 0-2 (3 total steps per chamber)
- 80 keyed different and master keyed total key changes
- Cannot be grand master keyed
- Less secure keyway
- Typical usage is in furniture applications

CABINET DOORS



STANDARD FUNCTION

Key removable in the locked or unlocked position. Locks ship with standard function unless key retaining is specified at time of order.

KEY RETAINING

The key cannot be removed from the lock while in the "unlocked" position. Key-retaining function is generally used in instances where cabinets or drawers should not be left unlocked.

HANDING

Handed locks must be ordered either LH, RH, VH or IH (see figure at left).

Non-handed locks can be ordered as either door or drawer. Door locks will work in both LH or RH applications and drawer locks will work for both vertical or inverted function.

CUSTOMERS AND PROJECTS

Pfizer Pharmaceuticals
 Cleveland Clinic
 Cedars-Sinai Medical Center
 Memorial Sloan-Kettering Cancer Center
 University of Michigan C.S. Mott Children's Hospital & Von Voigtlander Women's Hospital
 Children's Hospital-Los Angeles
 Boston Medical Center
 Stanford University Medical Center
 Kaiser Permanente
 Los Angeles Unified School District
 Los Angeles County-USC Medical Center
 Los Angeles-UCLA Medical Center
 University of Texas-Southwestern Medical Center

University of Hawaii
 New York City Schools
 Palm Beach County Schools
 San Diego Unified School District
 Seattle Public Schools
 Chase Bank
 Navy Federal Credit Union
 Wells Fargo
 Fox Lake Correctional Avenal State Prison
 San Quentin State Prison
 American Eagle Outfitters
 Costco
 Game Stop
 Regal Entertainment Group
 Verizon Wireless
 Target
 Kohls
 Apple Computer
 CVS Pharmacy

Seaworld (San Diego)
 Time Warner
 Ulta Cosmetics
 Art Institute of Chicago
 The Smithsonian
 Candlestick Park
 Safeco Field
 Nascar
 Staples Center
 Disneyland, Disneyworld, Disney Imagineering
 Universal Studios (Hollywood)
 Paramount Pictures
 Warner Brothers Studios
 Miami International Airport
 Indianapolis International Airport
 United Airlines
 Virgin America Airlines

Las Vegas Casinos
 Luxor
 Bally's
 MGM Grand
 Paris
 New York, New York
 Caesar's Palace
 Treasure Island
 Mirage
 Bellagio
 Mandalay Bay
 City Center
 Wynn & Wynn Encore
 Venetian
 Las Vegas Hotel
Plus many more

International Projects
 Atlantis Hotel & Casino (Bahamas)
 Cleveland Clinic (Abu Dhabi)
 Hong Kong Disneyland Resort
 Shanghai Disneyland Resort
 Suvarnabhumi Airport (Bangkok, Thailand)
 Princess Nora Bint Abdul Rahman University (Riyadh, Saudi Arabia)
 US Embassy (Belize)
 The Venetian (Macau)
 Wynn (Macau)
 Galaxy (Macau)
 City of Dreams - Macau
 City of Dreams - Manila

Product Groups



► PADLOCKABLE CAM LOCK

This unique cam lock is typically used in locker applications where the end-user will supply the padlock. We offer a variety of cam styles and lengths allowing this item to be adapted to a wide range of manufacturing styles. Our DCP500 includes an integrated cabinet pull.

(Pages 8-9)



► N SERIES

A value-priced alternative to commercial keyway or interchangeable core locks, N Series locks use the National D4291 (4 pin) or D4292 (5 pin) key system. A variety of lock types are available including door and drawer deadbolt and latch locks, cam locks, sliding door plunger locks, ratchet locks and file cabinet locks. (Pages 11-18)



► R SERIES

A value-priced alternative to commercial keyway or interchangeable core locks, these locks use the CCL R1 (5 pin) key system. A variety of lock types are available including door and drawer deadbolt and latch locks, cam locks, sliding door plunger locks and ratchet locks. (Pages 19-23)



► SCHLAGE C KEYWAY

This product family offers locks utilizing the Schlage C keyway—one of Schlage's most popular keyways. Choose from door and drawer deadbolt and latch locks, cam lock or ratchet lock. All locks are easily rekeyable. (Pages 24-29)



► LESS CYLINDER (Schlage Compatible)

This product family includes the same locks as our Schlage C keyway but without cylinders. You can install a variety of popular third-party (Schlage compatible or Medeco) cylinders so your cabinet locks can match the same key system as the rest of the facility. (Pages 24-29)



► LESS CYLINDER (Sargent Original)

We offer door and drawer deadbolt lock bodies made specifically to chamber Sargent original cylinders. Key your cabinet locks into your existing Sargent system with ease. (Page 30)



► SARGENT IC CORE

Olympus is the only company that manufactures cabinet locks for Sargent interchangeable core. Add one-key convenience to your existing Sargent interchangeable core system by having your cabinets keyed to match your existing Sargent IC system. (Page 31)



► SCHLAGE FULL-SIZE IC CORE

Olympus offers a range of cabinet lock options that will accept Schlage full-size (or compatible) interchangeable cores. Locks include door and drawer deadbolt locks, cam lock, latch lock and ratchet lock. (Pages 32-35)



► CORBIN/RUSSWIN IC CORE

Olympus is the only company that manufactures cabinet locks for Corbin/Russwin interchangeable core. Add one-key convenience to your existing Corbin/Russwin system by having your cabinets keyed into your Corbin/Russwin key system. Locks are available door and drawer deadbolt, drawer latch and cam lock. (Pages 36-37)



► MEDECO/YALE IC CORE

Looking for a cabinet lock to accept a Medeco or Yale large format interchangeable core? We have them. Locks are available door and drawer deadbolt and cam lock. (Pages 38-39)



► SMALL FORMAT IC CORE

(Best Compatible) Olympus offers a wide selection of small format (BEST style) interchangeable core locks including direct retrofits for Best original cabinet locks. Available styles include door and drawer deadbolt and latch locks, cam locks, sliding door plunger locks, through-glass locks, ratchet locks and mailbox locks. (Pages 41-52)



► BEST KEYWAY 3/4" CAM LOCK

This is a non-IC core cam lock available with a Best A, B, E, F, G, J, K, L or R keyway. It fits in a standard 3/4" hole and includes our patented cam shifting mechanism for maximum flexibility. (Page 40)



► BRASS PADLOCKS

BP Series all weather indoor/outdoor brass padlocks are available either keyed alike or keyed different in a variety of sizes and shackle lengths. The CRB Series padlocks accept a Corbin/Russwin interchangeable core cylinder. (Page 75)

Table of Contents

PADLOCKABLE CAM LOCK

CAM LOCK HASP

DCP.....	8
DCP500.....	9

SMALL PIN LOCKS

N SERIES

100DR / 200DW (Grade 1)	11
100M / 200M (Grade 1)	11
300SD	13
329R	13
L20V.....	14
998 / 999	15
DCN1,2,3,4 (Grade 1)	12
FC10 / FC26-AR.....	17
N078.....	18
T37.....	16
T54C	17

R SERIES

500DR / 600DW (Grade 1)	19
500M / 600M (Grade 1)	19
400SD	21
429R	21
996 / 997	22
DCR1,2,3,4..... (Grade 1)	20
R078	23

STANDARD CYLINDER LOCKS

SCHLAGE C KEYWAY

700S / 800S (Grade 1)	24
820S.....	26
829R (Grade 1)	27
850S.....	29
L78.....	28

SCHLAGE STYLE (Less Cylinder)

700LC / 800LC..... (Grade 1)	25
820LC.....	26
829R-LC (Grade 1)	27
850LC.....	29
L78.....	28
KABA Conversion Kit.....	25

SARGENT STYLE (Less Cylinder)

754LC.....	30
854LC.....	30

BEST KEYWAY

UTILITY CAM LOCK

B7	40
----------	----

INTERCHANGEABLE CORE

SARGENT

SA54	31
------------	----

SCHLAGE FULL-SIZE

777 / 888 (Grade 1)	32
920..... (Grade 1)	33
929R (Grade 1)	34
L92V.....	35

CORBIN/RUSSWIN

CR1125RD.....	36
CR1125RL	36
CR25	37

MEDECO/YALE

931DR.....	38
931DW.....	38
ME93 (Medeco)	39
YA93 (Yale).....	39

SMALL FORMAT (Best Compatible)

L72V.....	41
720 / 720B (Grade 1)	42
720B-DM.....	43
721..... (Grade 1)	44
722.....	45
723.....	45
724VR	46
725RD (Grade 1)	48
725RL..... (Grade 1)	47
725RSL.....	51
725MD (Grade 1)	49
725ML..... (Grade 1)	50
728MBL	46
729R (Grade 1)	52
950.....	41

CYLINDERS

SFIC / SCHLAGE C

206 / 207 SFIC (Best Compatible)	53
Plastic Thumbturns.....	54
Schlage C Keyway	54

KEYS / KEYING / PIN KITS

N & R SERIES, SCHLAGE, SFIC

Keying Information.....	10
Keys	55
Pins & Pin Kits.....	56

PADLOCKS

BRASS / IC CORE

BP (Mountain) Series	75
CRB200 (Corbin/Russwin IC Core).....	75

OTHER ITEMS

PARTS & ACCESSORIES

CL-HIT-25 Drill Guide	57
CL-MP-118 Double-D Punch	57
DCN/DCR/B7 Accessories	60-61
Display Boards	58
ETS Series.....	63-65
Internal Spacers	62
2000 Series Handles.....	59
SK Series Kits	57
Strikes	66-68
Trim Rings TR1256/TR78	58

FOR 1-1/8" DIAMETER CAM LOCKS

Optional Cams	69
Cam Assembly Instructions	70
SW-1 Switch Kit	69
TR200 Spacer Collars	69

REFERENCE

Architectural Specifications.....	72-74
Finish Chart.....	2
Handing / Key-Retaining Chart.....	3
Product Groups	4
Rekeying Instructions.....	71
Replacement Guide.....	7

TERMS & CONDITIONS

Cancellation Policy	6
Freight Policy.....	6
Minimum Orders	6
Returned Goods	6
General Terms & Conditions.....	6
Warranty	6

Conditions of Sale

► CONDITIONS OF SALE

Payment Terms: 2% 10 days, net 30 days. All payment terms are subject to credit approval.

Remittance Address: All payments should be sent by mail to: Olympus Lock, Inc., PO Box 1277, Lynnwood, WA 98046

Minimum Order: \$25.00 net excluding freight.

Minimum Annual Purchases: \$10,000.00 net excluding freight for open account status.

Prices: Olympus Lock, Inc. reserves the right to change pricing at any time and without prior notice.

Conditions: All specifications are subject to withdrawal or change at any time and without prior notice. Olympus Lock reserves the right to refuse orders which may be submitted. All prices F.O.B. Lynnwood, Washington, US Funds.

► OFFICE HOURS & CONTACT INFORMATION

Office Hours: 7:00 AM to 4:00 PM Pacific Standard Time

Phone: 206-362-3290, **Toll-Free:** 800-525-0954,

Fax: 206-362-3569

Street Address: 18424 Highway 99, Lynnwood, WA 98037

Website: www.olympus-lock.com

Company email: info@olympus-lock.com

► U.S. SHIPMENTS

All merchandise is shipped F.O.B. from our Lynnwood, Washington warehouse and becomes the property of the customer when accepted by the carrier. Olympus Lock will pay freight charges on orders of \$1,000.00 net or more to a single destination within the continental U.S.A. (excluding Alaska) via the carrier of our choice. For Hawaii and Alaska Customers: Olympus will pay freight on shipments of \$1,000.00 net or more to closest U.S. West Coast port.

► CANADIAN SHIPMENTS

All merchandise is shipped F.O.B. our Lynnwood, Washington warehouse and becomes the property of the customer when accepted by the carrier. Olympus Lock will pay freight charges on Canadian orders of \$1,000.00 net or more to closest U.S.A. border crossing via the carrier of our choice provided this information is clearly specified at time of order. Olympus Lock will pay freight charges on Canadian orders of \$2,000.00 net or more to a single Canadian destination via the carrier of our choice. All duty and/or customs charges are the sole responsibility of the customer.

► DELIVERY

Claims resulting from loss, shortages or damage-in-transit must be reported to Olympus Lock within 15 days of delivery.

Any claims resulting from shortages, overages, or the shipment of incorrect products by Olympus Lock must be reported to Olympus Lock within 15 days of delivery.

Olympus Lock does not assume responsibility for any damages resulting from any delays in delivery.

► CANCELLATIONS

Cancellations or alterations to orders will be accepted only when the cancellation or alteration can be made without loss to Olympus Lock. Orders for non-stock and/or custom items may not be cancelled after work has begun.

► RETURNED GOODS POLICY

No material is to be returned without our verbal or written permission in advance. All returned goods require a Returned Goods Authorization (RGA) number to be obtained from Olympus Lock prior to returning the goods. Only products purchased within the last 12 months may be returned. Any products purchased more than 12 months prior are ineligible for return. Whether goods may be returned will be at the sole discretion of Olympus Lock, Inc. Merchandise returned must be identified as to original purchase order number, date of purchase, and shipper's name and address.

A 25% restocking fee will apply to all returned goods which are found not to be the responsibility of Olympus Lock.

All goods must be shipped freight prepaid and received at our warehouse within 30 days of receiving an RGA number. Goods not received within 30 days of RGA issuance or for which an RGA number was not issued will not be returned and no credit will be issued.

Returned goods must be received in first-class resalable condition and in original factory packaging. The determination of "first-class resalable condition" will be at the sole discretion of Olympus Lock. Goods that are returned and determined by Olympus Lock not to be in first-class resalable condition will not be returned, will be scrapped at the factory, and no credit will be issued.

The following are non-returnable:

1. Custom keyed, non-stock items
2. Goods that have been installed
3. Goods that required custom stamping
4. Goods with custom, special order finishes
5. Products or parts that have been modified
6. Obsolete or discontinued items

► LIMITED WARRANTY

Olympus Lock warrants that its products are free from defects in workmanship and materials under normal installation, use and service. This warranty does not cover defects or damages arising from improper installation, improper maintenance, ordinary wear and tear, misuse or abuse.

The only liability of the company in tort or in contract, whether under this warranty or otherwise shall be limited to repair or replacement of products which are returned prepaid to us within one year of the date of original purchase.

This is a limited warranty and is in lieu of all other representations and expressed or implied warranties. Under no circumstances shall Olympus Lock be made liable for any incidental or consequential damages or losses.

Replacement Guide

Information given is for dimensional and keyway replacement only. Olympus Lock cabinet locks differ from other manufacturer's locks because they are easily rekeyable in five minutes or less with readily available tools.

Corbin/CCL Security Products			Olympus Lock R Series		
15748 15749 15750 15783	Cam Lock	5/8" 13/16" 1" 1"	DCR1	Cam Lock	1-1/16"
15890	Cam Lock	1-5/16"	DCR3	Cam Lock	1-7/16"
0666 1/2	Drawer Latch	7/8"	996	Drawer Latch	7/8"
0666 1/2	Drawer Latch	1-1/8"	996	Drawer Latch	1-3/8"
Not Available			997	Door Latch	7/8"
Not Available			997	Door Latch	1-3/8"
0737	Door Lock	3/4" 7/8"	500DR	Door Lock	7/8"
0737	Door Lock	1-1/8" 1-3/8"	500DR	Door Lock	1-3/8"
0738	Drawer Lock	3/4" 7/8"	600DW	Drawer Lock	7/8"
0738	Drawer Lock	1-1/8" 1-3/8"	600DW	Drawer Lock	1-3/8"
02063	Drawer Lock	7/8"	R078	Drawer Lock	1-1/8"
02291	Sliding Door	7/8"	400SD	Sliding Door	1"
Not Available			429R	Ratchet Lock	1/4"

IR / Schlage Lock			Olympus Lock* 700/800 Series		
CL1000LBC	Door Lock	1-1/8"	700SC	Door Lock	1-1/8"
CL1000LBD	Door Lock	1-3/8"	700SC	Door Lock	1-3/8"
CL2000LBC	Drawer Lock	1-1/8"	800SC	Drawer Lock	1-1/8"
CL2000LBD	Drawer Lock	1-3/8"	800SC	Drawer Lock	1-3/8"

*Olympus Lock offers Schlage C keyway only or less cylinder.

File Cabinet Locks		Olympus Lock* FC10 Series	
HON F24/ F28	HON Original (disc tumbler)	FC10	File Cabinet Lock
SRS2185	SRS Replacement Lock (disc tumbler)	FC10	File Cabinet Lock
HON F26	Hon Original (disc tumbler)	FC10 + FC26-AR	File Cabinet Lock + Adapter Ring
SRS2190	SRS Replacement Lock (disc tumbler)	FC10 + FC26-AR	File Cabinet Lock + Adapter Ring

*Olympus equivalent locks are on National D4291/D4292 pin tumbler keyway.

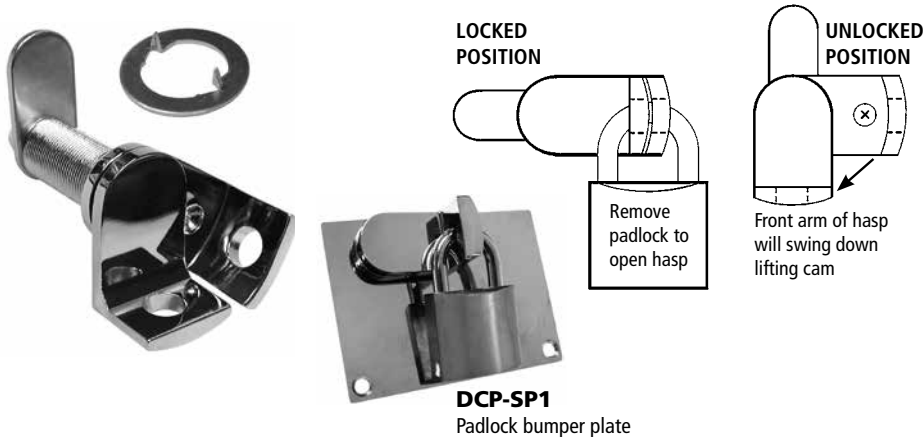
Sargent		Olympus Lock* 754/854 Series	
1654	Door Lock	754LC	Door Lock - less cylinder
1655	Door Lock	754LC	Door Lock - less cylinder
Not Available		854LC	Drawer Lock - less cylinder

*Locks are less cylinder for use with Sargent original cylinders.

CompX/National Cabinet Lock			Olympus Lock N Series		
C8102	Cam Lock	1-1/16"	DCN1	Cam Lock	1-1/16"
C8103	Cam Lock	1-3/16"	DCN2	Cam Lock	1-3/16"
C8106	Cam Lock	1-7/16"	DCN3	Cam Lock	1-7/16"
C8108 C8109	Cam Lock	1-3/4"	DCN4	Cam Lock	1-3/4"
C8173	Door Lock	7/8"	100DR	Door Lock	7/8"
C8174 C8175	Door Lock	1-1/8" 1-3/8"	100DR	Door Lock	1-3/8"
C8178	Drawer Lock	7/8"	200DW	Drawer Lock	7/8"
C8177 C8179	Drawer Lock	1-1/8" 1-3/8"	200DW	Drawer Lock	1-3/8"
Not Available			200DW	Drawer Lock	1-5/8"
C8142	Sliding Door	1-1/8"	300SD	Sliding Door	1-1/8"
C8163	Drawer Lock	7/8"	N078	Drawer	1-1/8"
Not Available			N078	Drawer	1-3/8"
Not Available			N078L/R	Door	1-1/8"
Not Available			N078L/R	Door	1-3/8"
C8131	Drawer Latch	7/8"	998/L20V	Drawer Latch	7/8"
Not Available			998/L20V	Drawer Latch	1-3/8"
C8139	Door Latch	3/4"	999	Door Latch	7/8"
Not Available			999	Door Latch	1-3/8"
Not Available			FC10	File Cabinet	n/a
C8137	T-Bolt Drawer	1/4"	T37	T-Bolt Drawer	1/4"
C8140	Ratchet Lock	1/4"	329R	Ratchet Lock	1/4"

Best Access	Olympus Lock			
3L	721 Series	Door/Drawer Lock	Deadbolt	
5E	B7 Series	Non-IC cam lock	Cam Lock	
5L7RD	725RD Series	Door/Drawer Lock	Deadbolt	
5L7RL	725RL Series	Door/Drawer Lock	Spring Latch	
5L7MD	725MD Series	Door/Drawer Lock	Deadbolt	
5L7ML	725ML Series	Door/Drawer Lock	Spring Latch	
8L	728MBL	Mailbox Lock	Spring Latch	
1E7E4	720 / 720B	Door/Drawer	Cam Lock	
1E7D4	720B-DM	Direct Drive	Cam Lock	
2P73	724VR	File Cabinet Lock	Round Bolt	
2S 2S-TBM	722S 722S-TBM	Plunger Lock	Sliding Door	
3S	729R	Ratchet Lock	Sliding Door	
4S	723S	Through-glass	Sliding Door	
Not Available		L72V	Drawer Lock	Spring Latch
Not Available		950IC	Drawer Lock	Deadlatch

► DCP Padlockable Cam Lock



Item	Finish	Cyl. Length	Description
DCP	26D, US26, US3, US19	1-7/32"	Accepts most standard padlocks with a shackle diameter of 3/8" (10 mm) or less
DCP-SP1	26D, US32		Padlock bumper plate (protects face of cabinet from padlock)

SPECIFICATIONS

Function: Cam lock for use with padlock as locking device. Functions on doors or drawers. Ideal for locker applications.

Through-hole: 0.4"

Padlocks: Not included

Max. material thickness: 1-1/8"

Barrel diameter: 3/4"

Finish: 26D, US26, US3, US19

Packaged: Packed 15 per box

INCLUDED ACCESSORIES

DCP-LC straight 1-1/4" cam

DCNP-SPW pronged wood washer

OPTIONAL ACCESSORIES

Anti-rotation plate: DCNP-500-ARP

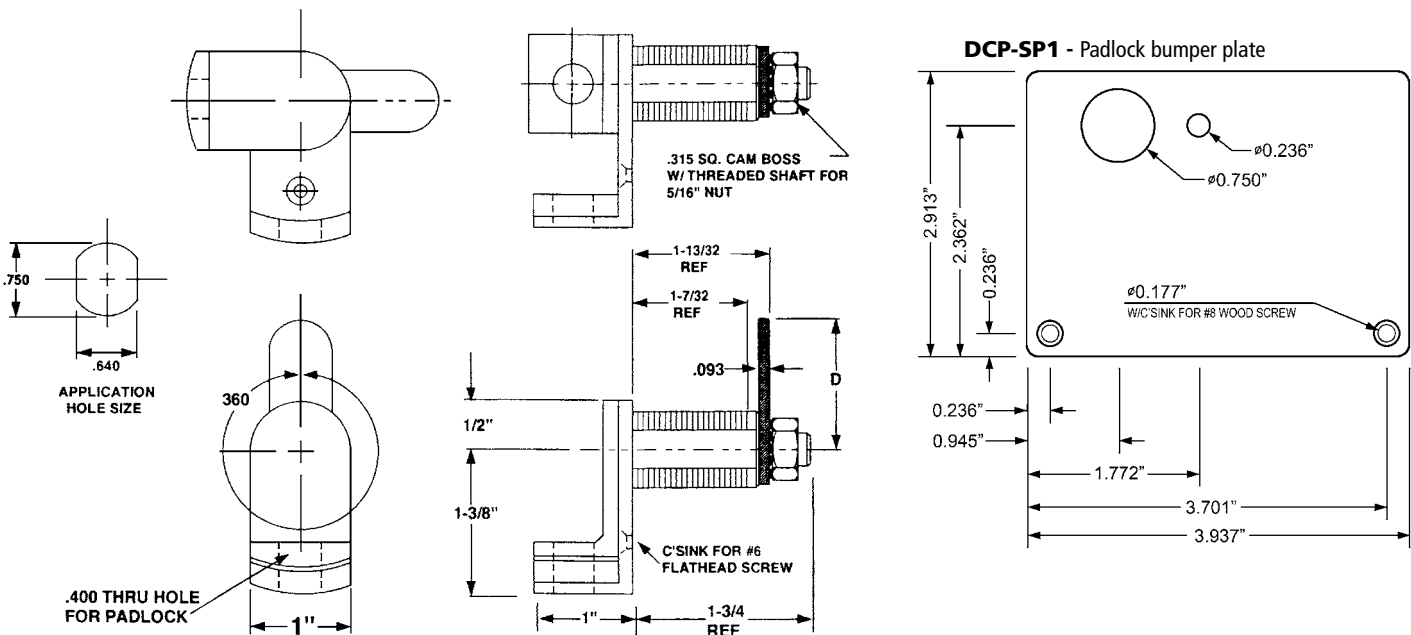
Padlock bumper plate: DCP-SP1. Available in

US32 polished stainless steel or US26D brushed chrome plated.

Optional cams: See chart below

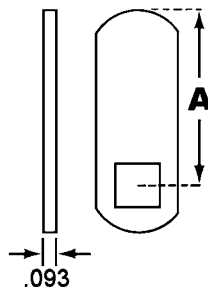
PADLOCKS

DCP works with most other manufacturer's padlocks with shackle diameter of 3/8" (10 mm) or less. See Olympus Lock's brass padlocks (page 75).



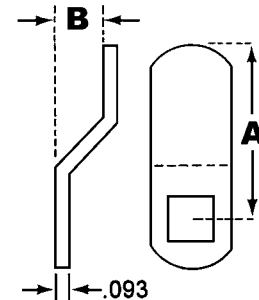
STRAIGHT CAMS

Part No.	Dim. A
DCP-SC	7/8"
DCP-LC (std)*	1-1/4"
DCP-LC-112	1-1/2"
DCP-LC-134	1-3/4"
DCP-LC-225	2-1/4"
DCP-LC-250	2-1/2"



OFFSET CAMS

Part No.	Dim. A	Dim. B
DCP-1-14	1"	1/4"
DCP-LBC	1-1/4"	1/4"
DCP-114-18	1-1/4"	1/8"
DCP-118-18	1-1/8"	1/8"
DCP-114-38	1-1/4"	3/8"
DCP-LBC-138	1-3/8"	3/8"
DCP-LBC-178	1-7/8"	1/2"
DCP-112-14	1-1/2"	1/4"

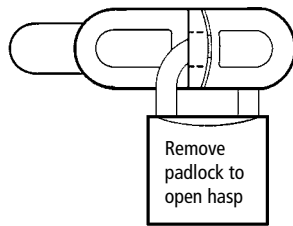


DCP-LC (std) is included in standard package. All other cams are available separately.

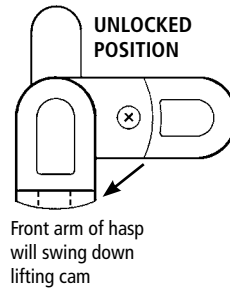
► DCP500 Padlockable Cam Lock



LOCKED POSITION



UNLOCKED POSITION



DCP-SP1
Padlock bumper plate

SPECIFICATIONS

Function: Cam lock for use with padlock as locking device. Functions on doors or drawers. Ideal for locker applications.

Through-hole: 0.4"

Padlocks: Not included

Max. material thickness: 1-1/8"

Barrel diameter: 3/4"

Finish: US26, US26D

Packaged: Packed 10 per box

INCLUDED ACCESSORIES

DCP-LC straight 1-1/4" cam

DCNP-SPW pronged wood washer

OPTIONAL ACCESSORIES

Anti-rotation plate: DCNP-500-ARP

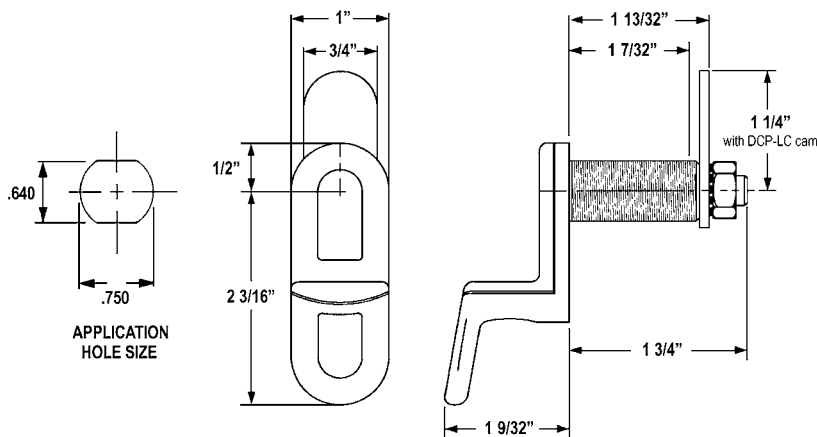
Padlock bumper plate: DCP-SP1. Available in US32 polished stainless steel or US26D brushed chrome plated.

Optional cams: See chart below

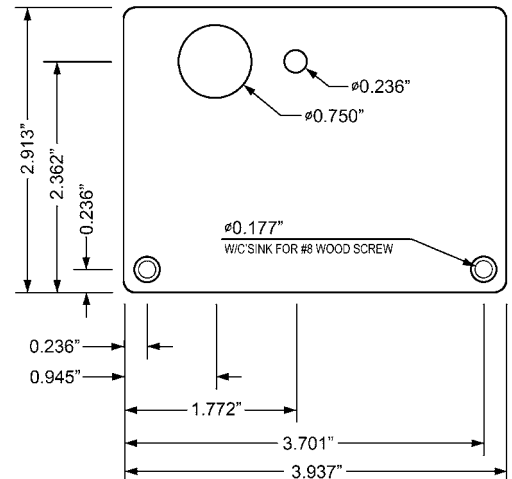
PADLOCKS

DCP500 works with most other manufacturer's padlocks with shackle diameter of 3/8" (10 mm) or less. See Olympus Lock's brass padlocks (page 75).

Item	Finish	Cyl. Length	Description
DCP500	26D, US26	1-7/32"	Accepts most standard padlocks with a shackle diameter of 3/8" (10 mm) or less
DCP-SP1	26D, US32		Padlock bumper plate (protects face of cabinet from padlock)

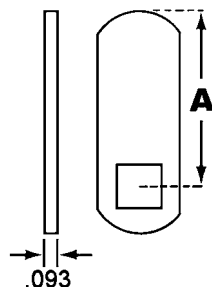


DCP-SP1 - Padlock bumper plate



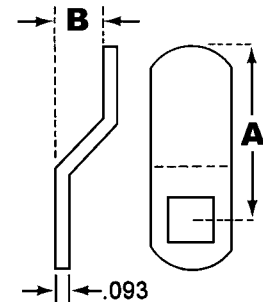
STRAIGHT CAMS

Part No.	Dim. A
DCP-SC	7/8"
DCP-LC (std)*	1-1/4"
DCP-LC-112	1-1/2"
DCP-LC-134	1-3/4"
DCP-LC-225	2-1/4"
DCP-LC-250	2-1/2"



OFFSET CAMS

Part No.	Dim. A	Dim. B
DCP-1-14	1"	1/4"
DCP-LBC	1-1/4"	1/4"
DCP-114-18	1-1/4"	1/8"
DCP-118-18	1-1/8"	1/8"
DCP-114-38	1-1/4"	3/8"
DCP-LBC-138	1-3/8"	3/8"
DCP-LBC-178	1-7/8"	1/2"
DCP-112-14	1-1/2"	1/4"



DCP-LC (std) is included in standard package. All other cams are available separately.

GRAND MASTER KEYING

Before we can create a grand master key system, we need to have a realistic idea of the complete number of masters, sub masters and key codes that the system will require and whether there will be future expansion. Without this information at the beginning of the process, the options for future expansion may be limited.

SPECIAL STAMPING

Custom (non-stock) lock face and key stamping and/or engraving is available for an additional charge. See price list for details and pricing.

► N Series Keying

STOCK KEYING

- 4-pin standard:** KD and KA# 101, 103, 107, 915
- **100/200/DCN:** Additional (4-pin) KA# 51001, 51002, 51003, 51004
 - **T37:** Additional (4-pin) KA# 51001 through 51011 and 001 through 030

STOCK MASTER KEYING

5-pin standard: Orders ship with 2 master keys per project and 2 change keys per lock. Includes **4-digit numeric** key code stamped on the change keys and face of lock. Provide key schedule at time of order.

NON-STOCK MASTER KEYING

- 4-pin:** Orders ship standard with 2 master keys per project and 2 change keys per lock. Includes **3-digit numeric** key code stamped on the change keys and face of lock. Provide key schedule at time of order.
- 5-pin:** Orders ship standard with 2 master keys per project and 2 change keys per lock. Includes **4-digit numeric** key code stamped on the change keys and face of lock. Provide key schedule at time of order.

GRAND MASTER KEYING

5-pin: Orders ship standard with 2 grand master keys per project and 2 change keys per lock. Includes **4-digit numeric** key code stamped on the change keys and face of lock. Provide key schedule and full scope of project at time of order and indicate required number of sub master keys for each group. Sub master keys are charged separately.

► Schlage C Keying

STOCK KEYING

5-pin standard: KD and KA# 101, 102

STOCK MASTER KEYING

5-pin standard: Orders ship standard with 2 master keys per project and 2 change keys per lock. Includes numeric key code stamped on the change keys. Lock face stamping available separately. Provide key schedule at time of order.

NON-STOCK MASTER KEYING

- 5-pin:** Locks ship standard with 2 master keys per project and 2 change keys per lock. Includes numeric key code stamped on the change keys. Lock face stamping available separately. Provide key schedule at time of order.
- 6-pin:** Locks ship standard with 2 master keys per project and 2 change keys per lock. Includes numeric key code stamped on the change keys. Lock face stamping available separately. Provide key schedule at time of order.

GRAND MASTER KEYING

- 5-pin:** Orders ship standard with 2 grand master keys per project and 2 change keys per lock. Includes numeric key code stamped on the change keys. Lock face stamping available separately. Provide key schedule and full scope of project at time of order and indicate required number of sub master keys for each group. Sub master keys are charged separately.
- 6-pin:** Orders ship standard with 2 grand master keys per project and 2 change keys per lock. Includes numeric key code stamped on the change keys. Lock face stamping available separately. Provide key schedule and full scope of project at time of order and indicate required number of sub master keys for each group. Sub master keys are charged separately.

► R Series Keying

STOCK KEYING

5-pin standard: KD and KA# 4T2, 4T3

STOCK MASTER KEYING

5-pin standard: Orders ship standard with 2 master keys per project and 2 change keys per lock. Includes **3-digit numeric** key code stamped on the change keys and face of lock. Provide key schedule at time of order.

NON-STOCK MASTER KEYING

- 5-pin:** Orders ship standard with 2 master keys per project and 2 change keys per lock. Includes **3-digit numeric** key code stamped on the change keys and face of lock. Provide key schedule at time of order.
- *6-pin:** Orders ship standard with 2 master keys per project and 2 change keys per lock. Includes numeric key code stamped on the change keys and face of lock. Provide key schedule at time of order.

GRAND MASTER KEYING

- 5-pin:** Orders ship standard with 2 grand master keys per project and 2 change keys per lock. Includes numeric key code stamped on the change keys and face of lock. Provide key schedule and full scope of project at time of order and indicate required number of sub master keys for each group. Sub master keys are charged separately.
- *6-pin:** Orders ship standard with 2 grand master keys per project and 2 change keys per lock. Includes numeric key code stamped on the change keys and face of lock. Provide key schedule and full scope of project at time of order and indicate required number of sub master keys for each group. Sub master keys are charged separately.

*** 6-pin keying note:** Available on 500, 600, 996, and 997 series locks only.

► SFIC Keying

STOCK KEYING

N/A: All cores are custom keyed. Specify keyway and type of keying at time of order.

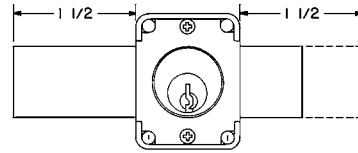
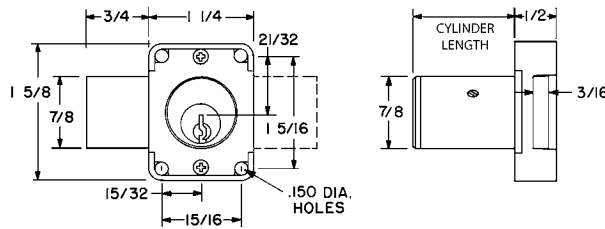
CUSTOM / MASTER KEYING

6-pin or 7-pin: Orders ship standard with 2 change keys per core. Includes numeric key code stamped on the change keys. 2 additional cut keys (master keys and/or control keys—specify at time of order) are included with each project. Provide key schedule at time of order. Additional keys may be purchased separately.

GRAND MASTER KEYING

6-pin or 7-pin: Orders ship standard with 2 change keys per core. Includes numeric key code stamped on the change keys. 2 additional cut keys (master keys and/or control keys—specify at time of order) are included with each project. Provide key schedule and full scope of project at time of order and indicate required number of sub master keys for each group. Sub master keys are charged separately.

► 100DR | 100M Deadbolt Lock



LB: Long bolt option

ANSI/BHMA
A156.11 Grade 1
E07121

Woodwork Institute
(WI) acknowledged
product

Item	Function	Finish	Cyl. Length	Keying
100DR	Door	26D, US4, 10B	15/16"	KD, KA 101,103,107,915 KA 51001,51002,51003,51004*note Custom keyed
100DR	Door	26D, US4, 10B	1-3/8"	
100M	Door (MRI)	26D	15/16" or 1-3/8"	
Key-retaining:		Specify item 100KL for left-hand doors and 100KR for right-hand doors. (KL and KR designation are <i>only required</i> for key retaining locks).		
Key-retaining (MRI):		Specify item 100MKL for left-hand doors and 100MKR for right-hand doors. (MKL and MKR designation are <i>only required</i> for key retaining MRI locks).		
Long bolt:		Specify LB for long bolt installed in lock.		

*note KA# 51001, 51002, 51003 and 51004 available in US26D finish only

SPECIFICATIONS

Keying: Can be keyed together with other N Series locks

Rekeyable: Easily rekeyable via set screw cylinder release mechanism

ANSI/BHMA: Passed ANSI/BHMA A156.11 Grade 1 performance requirements. Equivalent to E07121(100DR) / E07041(200DW).

100M/200M: M Series (MRI) locks are made of all non-magnetic materials and components specifically for use in MRI medical applications.

Standard function: Key removable in locked or unlocked position. Standard function locks are non-handed.

Key-retaining: Key removable in locked position only. Specify handing (KL/KR for doors or KI/KV for drawers) when ordering.

US Patent Nos: 4,899,563; 4,920,774

Body: Zinc die cast

Cylinder: Solid brass, pin tumbler

Cylinder length: 15/16", 1-3/8" or 1-5/8"

Barrel diameter: 7/8"

Finish: 26D, US4 or 10B

Packaged: Packed 10 per box

KEYING INFORMATION

Keyway: N Series (equivalent to National D4291 4-pin or D4292 5-pin system)

Keys: Includes 2 keys per lock

Stock keying: KD/KA - 4 pin standard

Stock KA#: 101, 103, 107, 915, 51001, 51002, 51003, 51004*note

Masterkeyed: 5 pin standard

Grand masterkeyed: Available

Keyblank 4-pin: KBN-4-NP (equivalent to NA14, 1069L)

Keyblank 5-pin: KBN-5-NP (equivalent to NA12, 1069LA)

Keyblank 5-pin copper plated: KBN-5B (use with 100M/200M MRI locks)

INCLUDED ACCESSORIES

100DR: 2 keys, 56-1 bar strike, and lock mounting screws

100M: 2 keys, 56-1 bar strike, and lock mounting screws (keys, components and materials are non-ferrous/non-magnetic)

200DW: 2 keys, 12-3 angle strike, and lock mounting screws

200M: 2 keys, 56-1 bar strike, and lock mounting screws (keys, components and materials are non-ferrous/non-magnetic)

OPTIONAL ACCESSORIES

See the accessories section of this catalog for a complete list.

Spacers: WP21 (3/32" thick), WP22 (1/4" thick), WP23 (1/2" thick)

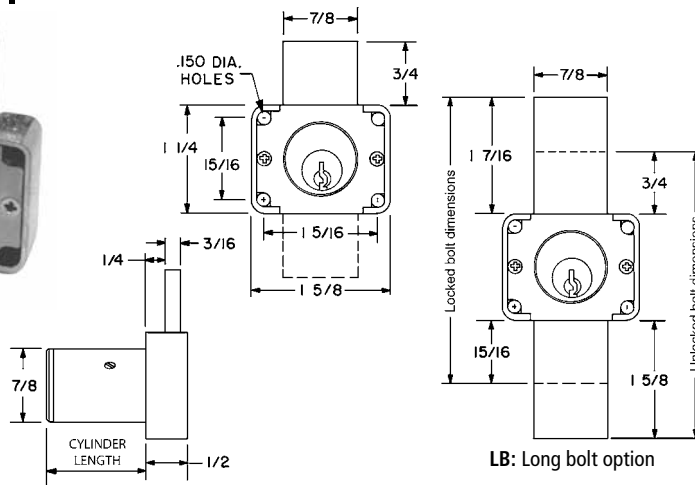
Strikes: 07S, 12-1, 12-2, 12-3, 12-4, 56-1

Trim collars: TR1256

Through-bolt hardware: ETS2 trim plate, ETS2-PL trim pull and ETST2 template

Long bolt (bolt only): 15-1-35 for use with 100DR/100M or 200DW/200M locks

► 200DW | 200M Drawer Lock



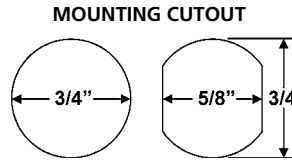
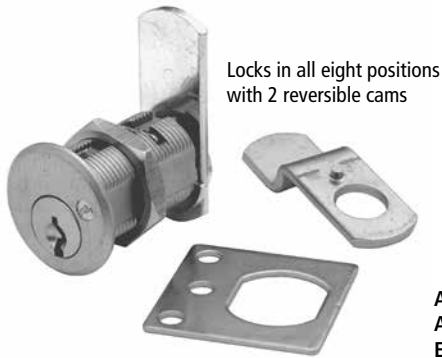
ANSI/BHMA
A156.11 Grade 1
E07041

Woodwork Institute
(WI) acknowledged
product

Item	Function	Finish	Cyl. Length	Keying
200DW	Drawer	26D, US4, 10B	15/16" or 1-3/8"	KD, KA 101,103,107,915 KA 51001,51002,51003,51004*note Custom keyed
200DW	Drawer	26D, 10B	1-5/8"	
200M	Drawer (MRI)	26D	15/16", 1-3/8" or 1-5/8"	
Key-retaining:		Specify item 200KI for inverted drawers and 200KV for vertical drawers. (KI and KV designations are <i>only required</i> for key retaining locks).		
Key-retaining (MRI):		Specify item 200MKI for inverted drawers and 200MKV for vertical drawers. (MKI and MKV designations are <i>only required</i> for key retaining MRI locks).		
Long bolt:		Specify LB for long bolt installed in lock.		

*note KA# 51001, 51002, 51003 and 51004 available in US26D finish only

► DCN Cam Lock



ANSI/BHMA
A156.11 Grade 1
E07261 / E07271

Woodwork Institute
(WI) acknowledged
product

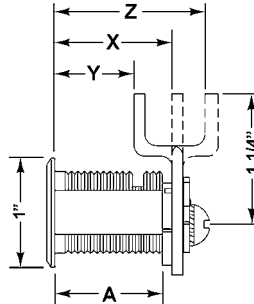
Item	Finish	Cyl. Length	Keying
DCN1	26D, US3, 10B	1-1/16"	KD, KA 101,103,107,915 KA 51001,51002,51003,51004 ^{note} Custom keyed
DCN2	26D, US3, 10B	1-3/16"	
DCN3	26D, US3, 10B	1-7/16"	
DCN4	26D, US3, 10B	1-3/4"	

Cylinder length: As measured with straight cam.

^{note} KA# 51001, 51002, 51003 and 51004 available in US26D finish only

DIMENSIONS

	For Mat. Thickness	Straight Cam (X)	Inbent Cam (Y)	Outbent Cam (Z)	Cylinder Length (A)
DCN1	3/4"	1-1/16"	3/4"	1-3/8"	1"
DCN2	7/8"	1-3/16"	7/8"	1-1/2"	1-1/8"
DCN3	1-1/8"	1-7/16"	1-1/8"	1-3/4"	1-3/8"
DCN4	1-1/2"	1-13/16"	1-1/2"	2-1/8"	1-3/4"



SPECIFICATIONS

Keying: Can be keyed together with other N Series locks

Rekeyable: Easily rekeyable via cylinder retainer clip

ANSI/BHMA: Passed ANSI/BHMA A156.11 Grade 1 performance requirements. Equivalent to E07261 / E07271.

US Patent Nos: 5,038,589; 5,737,950

Body: Zinc die cast

Cylinder: Zinc die cast, pin tumbler

Standard function: Key removable in locked or unlocked position.

Key retaining function: Alternate key-retaining shifters (page 61) are available separately for key removable in locked position only.

Cams: 2 reversible cams work in all positions

Face: 1" face covers splintering, no additional trim ring required

Finish: 26D, US3 or 10B

Packaged: Packed 10 per box

KEYING INFORMATION

Keyway: N Series (equivalent to National D4291 4-pin or D4292 5-pin system)

Keys: Includes 2 keys per lock

Stock keying: KD/KA - 4 pin standard

Stock KA#: 101, 103, 107, 915, 51001, 51002, 51003, 51004^{note}

Masterkeyed: 5 pin standard

Grand masterkeyed: Available

Keyblank 4-pin: KBN-4-NP (equivalent to NA14, 1069L)

Keyblank 5-pin: KBN-5-NP (equivalent to NA12, 1069LA)

INCLUDED ACCESSORIES

See below.

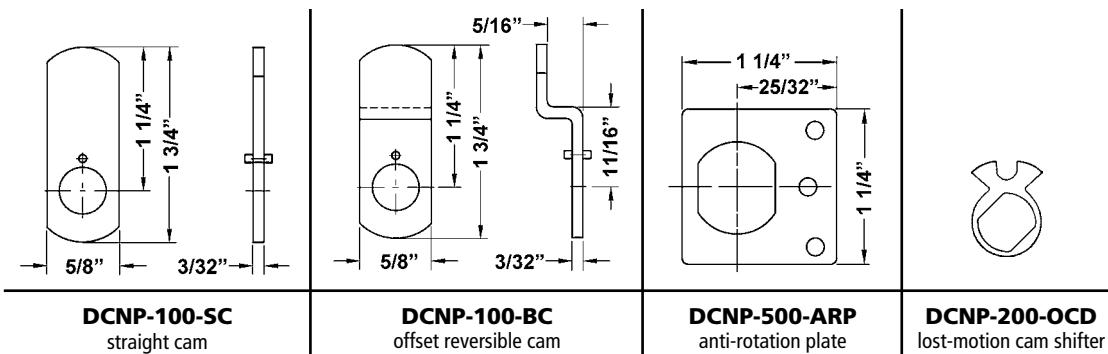
OPTIONAL ACCESSORIES

See pages 60-61 for a complete list of optional cam sizes and other accessories for use with DCN cam locks.

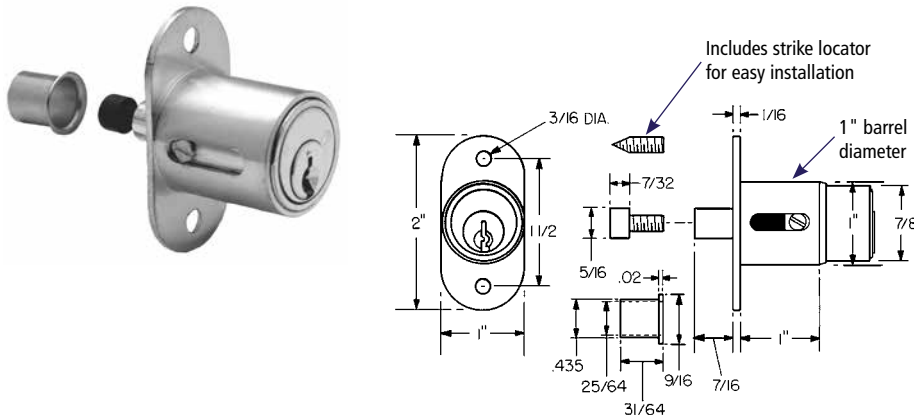
DCNP-200-KR: Key retaining drawer cam shifter

DCNP-200-KDR: Key retaining door cam shifter

INCLUDED ACCESSORIES



▶ 300SD Plunger Lock



Item	Finish	Cyl. Length	Keying
300SD	26D, US3, 10B	1"	KD, KA 101,103,107,915 Custom Keyed

SPECIFICATIONS

Keying: Can be keyed together with other N Series locks
Rekeyable: Easily rekeyable via speed-release cylinder release mechanism
US Patent Nos: 4,920,774; 5,121,619
Standard function: Key removable in locked or unlocked position.
Body: Zinc die cast
Cylinder: Solid brass, pin tumbler
Cylinder length: 1"
Barrel diameter: 1"
Finish: 26D, US3 or 10B
Packaged: Packed 10 per box

KEYING INFORMATION

Keyway: N Series (equivalent to National D4291 4-pin or D4292 5-pin system)
Keys: Includes 2 keys per lock
Stock keying: KD/KA - 4 pin standard
Stock KA#: 101, 103, 107, 915
Masterkeyed: 5 pin standard
Grand masterkeyed: Available
Keyblank 4-pin: KBN-4-NP (equivalent to NA14, 1069L)
Keyblank 5-pin: KBN-5-NP (equivalent to NA12, 1069LA)

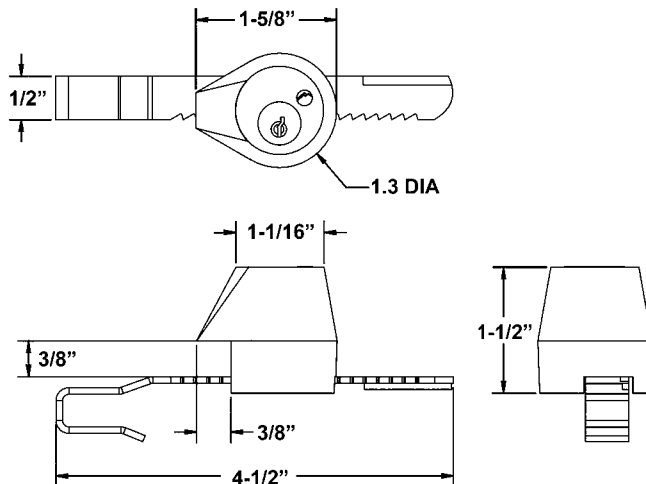
INCLUDED ACCESSORIES

34-9 matching thimble strike
 10-24 machine thread bolt extender for varying gaps between bypassing doors
 10-24 machine thread strike locator

▶ 329R Showcase/Ratchet Lock



Item	Finish	Keying
329R	26D	KD, KA 101,103,107,915 Custom Keyed



SPECIFICATIONS

Keying: Can be keyed together with other N Series locks
Rekeyable: Easily rekeyable via speed-release cylinder release mechanism
US Patent No: 5,121,619
Standard function: Key removable in locked or unlocked position.
Body: Zinc die cast
Cylinder: Solid brass, pin tumbler
Strap: Nylon coated strap fits 1/4" material
Finish: 26D
Packaged: Packed 10 per box

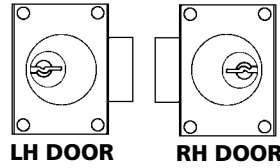
KEYING INFORMATION

Keyway: N Series (equivalent to National D4291 4-pin or D4292 5-pin system)
Keys: Includes 2 keys per lock
Stock keying: KD/KA - 4 pin standard
Stock KA#: 101, 103, 107, 915
Masterkeyed: 5 pin standard
Grand masterkeyed: Available
Keyblank 4-pin: KBN-4-NP (equivalent to NA14, 1069L)
Keyblank 5-pin: KBN-5-NP (equivalent to NA12, 1069LA)

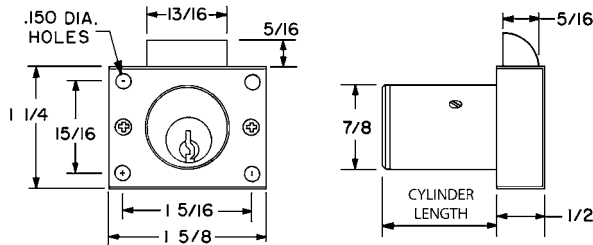
INCLUDED ACCESSORIES

Strap for 1/4" material thickness

► L20V Heavy Duty Latch Lock



Item	Function	Finish	Cyl. Length	Keying
L20V	VH Drawer	26D	15/16" or 1-3/8"	KD, KA 101, 103, 107, 915 Custom Keyed
For door function, turn lock 90 degrees.				



SPECIFICATIONS

Function: Heavy duty spring latch

Keying: Can be keyed together with other N Series locks

Function: Heavy duty spring latch for high-use applications

Rekeyable: Easily rekeyable via set screw cylinder release mechanism

Body: Zinc die cast

Cylinder: Solid brass, pin tumbler

Cylinder length: 15/16" or 1-3/8"

Barrel diameter: 7/8"

Latch projection: 5/16"

Finish: 26D

Packaged: Packed 10 per box

KEYING INFORMATION

Keyway: N Series (equivalent to National D4291 4-pin or D4292 5-pin system)

Keys: Includes 2 keys per lock

Stock keying: KD/KA - 4 pin standard

Stock KA#: 101, 103, 107, 915

Masterkeyed: 5 pin standard

Grand masterkeyed: Available

Keyblank 4-pin: KBN-4-NP

(equivalent to NA14, 1069L)

Keyblank 5-pin: KBN-5-NP

(equivalent to NA12, 1069LA)

INCLUDED ACCESSORIES

Strike: 999-STRIKE (slotted lip strike)

OPTIONAL ACCESSORIES

See the accessories section of this catalog for a complete list.

Spacers: WP21 spacer (3/32" thick), WP22 spacer (1/4" thick), WP23 spacer (1/2" thick)

Strikes: 07S, 12-1, 12-2, 12-3, 12-4, 56-1

Trim collars: TR1256

Through-bolt hardware: ETS2 trim plate, ETS2-PL trim pull and ETST2 template

► 998 | 999 Latch Lock



SPECIFICATIONS

- Function:** Spring latch
- Keying:** Can be keyed together with other N Series locks
- Reversible:** Easily reversible between door and drawer function
- Rekeyable:** Easily rekeyable via set screw cylinder release mechanism
- US Patent Nos:** 4,899,563; 7,874,189 B2
- Body:** Zinc die cast
- Cylinder:** Solid brass, pin tumbler
- Cylinder length:** 15/16" or 1-3/8"
- Barrel diameter:** 7/8"
- Latch projection:** 1/4"
- Finish:** 26D or US4
- Packaged:** Packed 10 per box

KEYING INFORMATION

- Keyway:** N Series (equivalent to National D4291 4-pin or D4292 5-pin system)
- Keys:** Includes 2 keys per lock
- Stock keying:** KD/KA - 4 pin standard
- Stock KA#:** 101, 103, 107, 915
- Masterkeyed:** 5 pin standard
- Grand masterkeyed:** Available
- Keyblank 4-pin:** KBN-4-NP (equivalent to NA14, 1069L)
- Keyblank 5-pin:** KBN-5-NP (equivalent to NA12, 1069LA)

FIELD REVERSIBLE INTO ALL FOUR HANDINGS

Item	Function	Finish	Cyl. Length	Keying
999R	RH Door	26D, US4	15/16" or 1-3/8"	KD, KA 101, 103, 107, 915 Custom Keyed
999L	LH Door	26D, US4	15/16" or 1-3/8"	
998V	VH Drawer	26D, US4	15/16" or 1-3/8"	
998I	IH Drawer	26D, US4	15/16" or 1-3/8"	

Field reversible: Locks are easily reconfigured in the field into any of the four handings.

INCLUDED ACCESSORIES

Strike: 999-STRIKE (slotted lip strike)

OPTIONAL ACCESSORIES

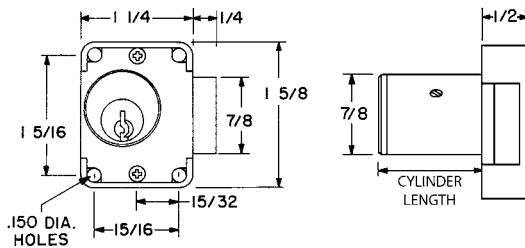
See the accessories section of this catalog for a complete list.

Spacer: WP24 (1/8" thick)

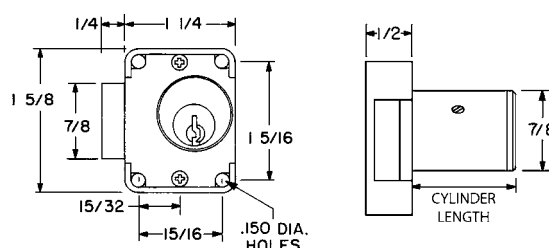
Trim ring: TR1256

Through-bolt hardware: ETS6 trim plate

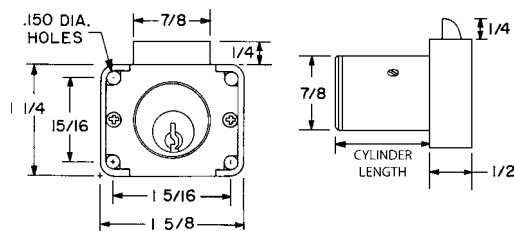
999L LEFT HAND



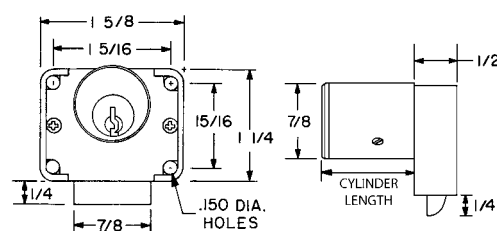
999R RIGHT HAND



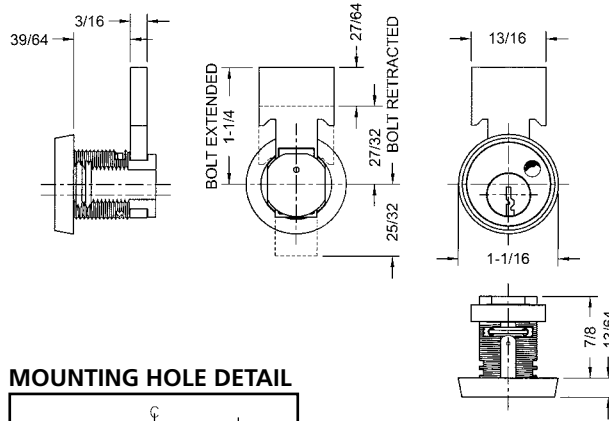
998V VERTICAL HAND



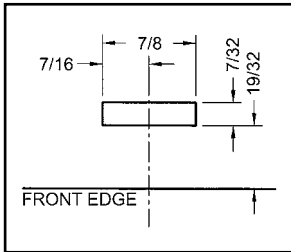
998I INVERTED HAND



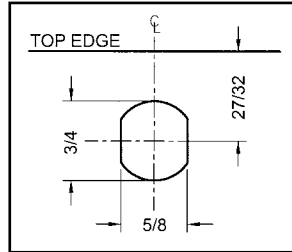
► T37 T-Bolt Drawer Lock



DRAWER DETAIL



MOUNTING HOLE DETAIL



Item	Finish	Cyl. Length	For Material	Keying
T37	26D	19/32"	1/4"	KA* or KD (4-pin) Custom, master keyed (4-pin)
T37-2		Long bolt		
T37-3		Short bolt (Chicago-style) for 25/32" backset		
T37-RC		Spring mounting clip		
T37-NKIT		Number plate kit		
T37DC-NP		Replacement number plate only		
*KA Nos: 101,103,107,915 51001 through 51011 001 through 030 Other non-stock codes available through custom keying.				

SPECIFICATIONS

Keying: Can be keyed together with other N Series locks

Rekeyable: Working top-slide, cylinder retainer staple and removable bezel ring make rekeying fast and easy. No more need to pry off faceplates and pin retainer clips.

US Patent No: 5,038,589

Standard function: Key removable in locked or unlocked position.

Retrofits: National C8137

Body: Zinc die cast

Cylinder: Zinc die cast, pin tumbler

Bolt: Stainless steel

Includes: Brass mounting nut. Spring mounting clip
T37-RC is available separately.

Barrel diameter: 3/4"

Across flats: 5/8"

Finish: 26D

Packaged: Packed 10 per box

KEYING INFORMATION

Keyway: N Series (equivalent to National D4291 4-pin system)

Keys: Includes 2 keys per lock

Stock keying: KD/KA - 4 pin standard

Stock KA#: 101, 103, 107, 915

51001 through 51011

001 through 030

Masterkeyed: 4 pin standard

Keyblank 4-pin: KBN-4-NP

(equivalent to NA14, 1069L)

SPECIAL NOTE ON BOLTS ONLY

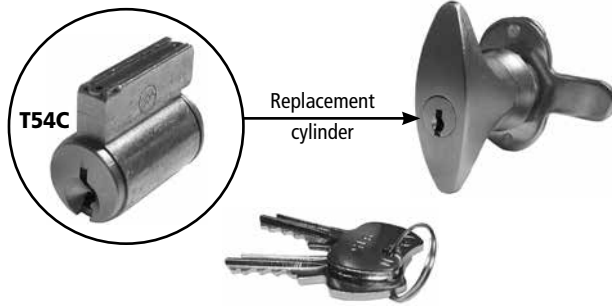
The T37-1 (regular bolt), T37-2 (long bolt) and T37-3 (short bolt) will not work in the National C8137 lock. However, the C8137 bolts will work in the T37 lock.

OPTIONAL ACCESSORIES

See below.

OPTIONAL ACCESSORIES	
<p>T37-RC Spring mounting clip</p> <p>The lock comes standard with clip mounting locations up to 11/64" material thicknesses.</p>	<p>T37-NKIT Number plate kit eliminates need to stamp face of lock</p> <p>Replacement number plates also available separately (Use part no. T37DC-NP).</p>
<p>T37-2 Long bolt can be cut to length required by application</p>	<p>T37-3 Short bolt for 25/32" backset</p>

► T54C T-Knob Cylinder Replacement Kit



Item	Finish	Type	Use with	Keying
T54C	26D	Replacement cylinder	CompX/National C8154 or C8155	Ships standard with empty chambers and 2 ringed 4-pin keyblanks. KD, KA or MK available.

Usage: T54C T-Knob Cylinder Replacement Kit replaces original CompX/National T-knob pin tumbler cylinders. No need to replace the entire t-knob lock, just replace the non-functioning cylinder. Cylinder is all brass construction for increased durability. This 5-pin cylinder can be keyed to match existing 4-pin or 5-pin systems. T54C replacement cylinder works with all CompX/National pin-tumbler t-knob locks regardless of handing or key operation (key removable in locked or unlocked position) or latch configuration. **Can be keyed to match our T37 Series locks (see opposite page) or any of our N Series products.**

SPECIFICATIONS

- Keying:** Can be keyed together with other N Series locks
- Rekeyable:** Includes working top-slide for easy rekeying
- Replaces:** CompX/National original cylinder for C8154 or C8155 pin tumbler t-knob locks for metal cabinet doors.
- Cylinder:** Drilled for 5 pins. Can be keyed to match existing 4-pin or 5-pin systems.
- Material:** Solid brass
- Finish:** 26D
- Packaged:** Packed 25 per box

KEYING INFORMATION

- Keyway:** N Series (equivalent to National D4291 4-pin or D4292 5-pin system)
- Keying:** Can be keyed to match National 4 or 5 pin key systems
- Includes:** Plug and housing, no pins or springs and 2 ringed KBN-4-NP (4-pin) keyblanks
- Custom keying:** Available
- Keyblank 4-pin:** KBN-4-NP (equivalent to NA14, 1069L)
- Keyblank 5-pin:** KBN-5-NP (equivalent to NA12, 1069LA)

► FC10 File Cabinet Lock Kit

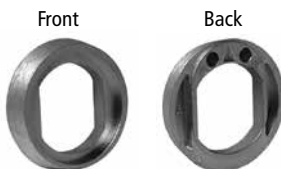


Item	Finish	Keying
FC10	26D	KD, KA 101,103,107,915 Custom, master keyed
T37-NKIT	Number plate kit	
T37DC-NP	Replacement number plate only	

SPECIFICATIONS

- Keying:** Can be keyed together with other N Series locks
- Rekeyable:** Working top-slide, cylinder retainer staple and removable bezel ring make rekeying fast and easy
- Retrofit:** Replacement for HON F24/F28 style vertical file cabinet locks
- U.S. Patent Nos:** 5,038,589; 5,737,950
- Standard function:** Key removable in locked or unlocked position.
- Body:** Zinc die cast
- Cylinder:** Zinc die cast, pin tumbler
- Includes:** Brass mounting nut
- Barrel diameter:** 3/4"
- Across flats:** 5/8"
- Finish:** 26D
- Packaged:** Packed 10 per box

FC26-AR Adapter Ring



Item	Finish	Description
FC26-AR	26D	Adapter ring converts FC10 to work as a replacement for HON F26 style lock.

SPECIFICATIONS

- Retrofit:** Converts the Olympus FC10 file cabinet lock so it can be used as a replacement for a HON F26 style vertical file cabinet lock.
- Usage:** Use the FC26-AR adapter ring in place of the bezel ring that comes standard with the FC10.
- Installation:** Install trim collar with arrow on back facing top of cabinet.

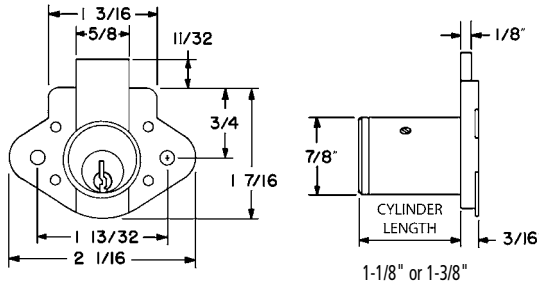
KEYING INFORMATION

- Keyway:** N Series (equivalent to National D4291 4-pin or D4292 5-pin system)
- Keys:** Includes 2 keys per lock
- Stock keying:** KD/KA - 4 pin standard
- Stock KA#:** 101, 103, 107, 915
- Masterkeyed:** 5 pin standard
- Grand masterkeyed:** Available
- Keyblank 4-pin:** KBN-4-NP (equivalent to NA14, 1069L)
- Keyblank 5-pin:** KBN-5-NP (equivalent to NA12, 1069LA)

OPTIONAL ACCESSORIES

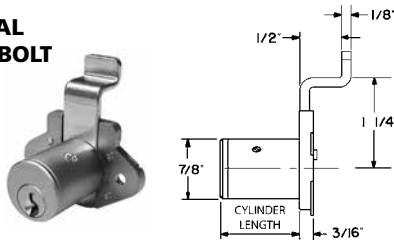
- T37-NKIT:** Number plate kit, eliminates need to stamp face of lock (page 61)
- T37DC-NP:** Replacement number ring plates available (page 61)

► N078 Drawer Lock

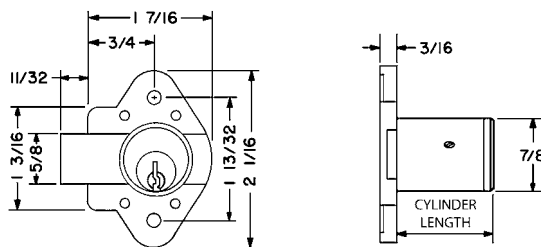
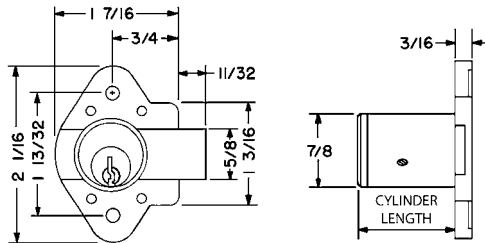


Item	Function	Finish	Cyl. Length	Keying
N078	VH Drawer	26D, US4	1-1/8" or 1-3/8"	KD, KA 101,103,107,915 Custom Keyed
Outbent bolt installed:		Specify LB1 for 1/2" offset outbent drawer bolt installed in lock.		
Outbent bolt only:		Order part number 078-LB1-DW for outbent drawer bolt only.		

OPTIONAL OFFSET BOLT



► N078L | N078R Door Lock



Item	Function	Finish	Cyl. Length	Keying
N078R	RH Door	26D, US4	1-1/8" or 1-3/8"	KD, KA 101,103,107,915 Custom Keyed
N078L	LH Door	26D, US4	1-1/8" or 1-3/8"	
Long bolt installed:		Specify LB for extended door bolt installed in lock.		
Long bolt only:		Order part number 078-LB-DR for extended door for bolt only.		

NOTE: N078R / N078L are reversible between left and right handings.

SPECIFICATIONS

- Keying:** Can be keyed together with other N Series locks
- Rekeyable:** Easily rekeyable via set screw cylinder release mechanism
- US Patent Nos:** 4,899,563; 4,920,774
- Standard function:** Key removable in locked or unlocked position.
- Door locks:** Can be reversed between left and right hand.
- Body:** Zinc die cast
- Cylinder:** Solid brass, pin tumbler
- Cylinder length:** 1-1/8" or 1-3/8"
- Barrel diameter:** 7/8"
- Finish:** 26D or US4
- Packaged:** Packed 10 per box

KEYING INFORMATION

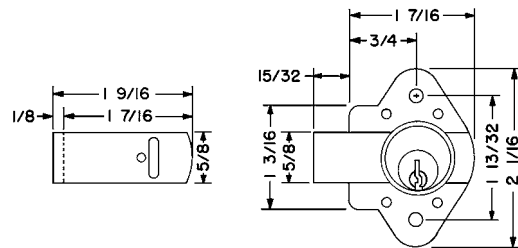
- Keyway:** N Series (equivalent to National D4291 4-pin or D4292 5-pin system)
- Keys:** Includes 2 keys per lock
- Stock keying:** KD/KA - 4 pin standard
- Stock KA#:** 101, 103, 107, 915
- Masterkeyed:** 5 pin standard
- Grand masterkeyed:** Available
- Keyblank 4-pin:** KBN-4-NP (equivalent to NA14, 1069L)
- Keyblank 5-pin:** KBN-5-NP (equivalent to NA12, 1069LA)

OPTIONAL ACCESSORIES

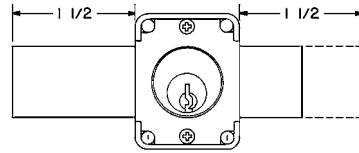
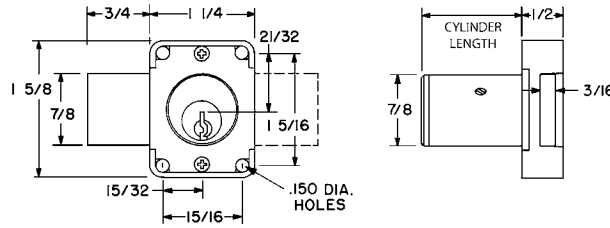
- See the accessories section of this catalog for a complete list.
- Spacers:** WP21 (3/32" thick), WP22 (1/4" thick), WP23 (1/2" thick)
- Strikes:** 07S, 56-1, 12-1, 12-2, 12-3, 12-4 strikes
- Trim collar:** TR1256
- Optional drawer bolt:** 078-LB1-DW long bolt with 1/2" offset (drawer only)
- Optional door bolt:** 078-LB-DR 1/4" straight long bolt (door only)
- Through-bolt hardware:** ETS3 trim plate and ETST3 template

OPTIONAL LONG BOLT

Extends overall bolt length by an additional 1/8". Reversible for use with LH or RH locks.



► 500DR | 500M Door Lock



ANSI/BHMA
A156.11 Grade 1
E07121
Woodwork Institute
(WI) acknowledged
product

Item	Function	Finish	Cyl. Length	Keying
500DR	Door	26D, US4, 10B	15/16"	KD, KA 4T21579, 4T37526 Custom Keyed
500DR	Door	26D, US4	1-3/8"	
500M	Door (MRI)	26D	15/16" or 1-3/8"	
Key-retaining:		Specify item 500KL for left-hand doors and 500KR for right-hand doors. (KL and KR designation are <i>only required for key retaining locks</i>).		
Key-retaining (MRI):		Specify item 500MKL for left-hand doors and 500MKR for right-hand doors. (MKL and MKR designation are <i>only required for key retaining MRI locks</i>).		
Long bolt:		Specify LB for long bolt installed in lock.		

SPECIFICATIONS

Keying: Can be keyed together with other R Series locks
Rekeyable: Easily rekeyable via set screw cylinder release mechanism
ANSI/BHMA: Passed ANSI/BHMA A156.11 Grade 1 performance requirements. Equivalent to E07121(500DR) / E07041(600DW).
500M/600M: M series (MRI) locks are made of all non-magnetic materials and components specifically for use in MRI medical applications.
Standard function: Key removable in locked or unlocked position. Standard function locks are non-handed.
Key-retaining: Key removable in locked position only. Specify handing (KL/KR for doors or KI/KV for drawers) when ordering.
US Patent Nos: 4,899,563; 4,920,774
Body: Zinc die cast
Cylinder: Solid brass, pin tumbler
Cylinder length: 15/16" or 1-3/8"
Barrel diameter: 7/8"
Finish: 26D, US4 or 10B
Packaged: Packed 10 per box

KEYING INFORMATION

Keyway: R Series (equivalent to CCL R1 system)
Keys: Includes 2 keys per lock
Stock keying: KD/KA - 5 pin standard
Stock KA#: 4T21579, 4T37526
Master keyed: 5 pin standard, 6 pin available
Grand masterkeyed: Available
Keyblank 5-pin: KBR-5-NP (equivalent to C0106, 1003A)
Keyblank 5-pin copper plated: KBR-5B (use with M Series MRI locks)
Keyblank 6-pin: KBR-6-NP (equivalent to L1003A)

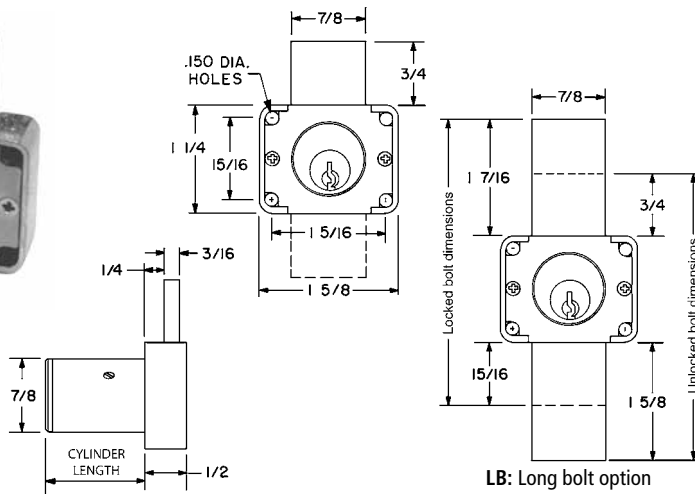
INCLUDED ACCESSORIES

500DR: 2 keys, 56-1 bar strike, and lock mounting screws.
500M: 2 keys, 56-1 bar strike, and lock mounting screws (keys, components and materials are non-ferrous/non-magnetic).
600DW: 2 keys, 12-3 angle strike, and lock mounting screws.
600M: 2 keys, 56-1 bar strike, and lock mounting screws (keys, components and materials are non-ferrous/non-magnetic).

OPTIONAL ACCESSORIES

See the accessories section of this catalog for a complete list.
Spacers: WP21 (3/32" thick), WP22 (1/4" thick), WP23 (1/2" thickness)
Strikes: 07S, 12-1, 12-2, 12-3, 12-4, 56-1 strikes
Trip collar: TR1256
Through-bolt hardware: ETS2 trim plate, ETS2-PL trim pull and ETST2 template
Long bolt (bolt only): 15-1-35 for use with 500DR/500M or 600DW/600M locks

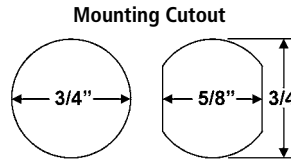
► 600DW | 600M Drawer Lock



ANSI/BHMA
A156.11 Grade 1
E07041
Woodwork Institute
(WI) acknowledged
product

Item	Function	Finish	Cyl. Length	Keying
600DW	Drawer	26D, US4, 10B	15/16" or 1-3/8"	KD, KA 4T21579, 4T37526 Custom Keyed
600M	Drawer (MRI)	26D	15/16" or 1-3/8"	
Key-retaining:		Specify item 600KI for inverted drawers and 600KV for vertical drawers. (KI and KV designation are <i>only required for key retaining locks</i>).		
Key-retaining (MRI):		Specify item 600MKI for inverted drawers and 600MKV for vertical drawers. (MKI and MKV designations are <i>only required for key retaining MRI locks</i>).		
Long bolt:		Specify LB for long bolt installed in lock.		

► DCR Cam Lock



ANSI/BHMA
A156.11 Grade 1
E07261 / E07271

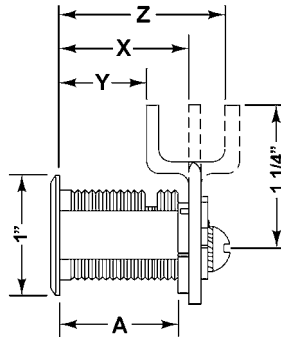
Woodwork Institute
(WI) acknowledged
product

Item	Finish	Cyl. Length	Keying
DCR1	26D, US3	1-1/16"	KD, KA 4T21579, 4T37526 Custom Keyed
DCR2	26D, US3	1-3/16"	
DCR3	26D, US3	1-7/16"	
DCR4	26D, US3	1-3/4"	

Cylinder length: As measured with straight cam.

DIMENSIONS

	For Mat. Thickness	Straight Cam (X)	Inbent Cam (Y)	Outbent Cam (Z)	Cylinder Length (A)
DCR1	3/4"	1-1/16"	3/4"	1-3/8"	1"
DCR2	7/8"	1-3/16"	7/8"	1-1/2"	1-1/8"
DCR3	1-1/8"	1-7/16"	1-1/8"	1-3/4"	1-3/8"
DCR4	1-1/2"	1-13/16"	1-1/2"	2-1/8"	1-3/4"



SPECIFICATIONS

Keying: Can be keyed together with other R Series locks

Rekeyable: Easily rekeyable via cylinder retainer clip

ANSI/BHMA: Passed ANSI/BHMA A156.11 Grade 1 performance requirements. Equivalent to E07261 / E07271.

US Patent Nos: 5,038,589; 5,737,950

Body: Zinc die cast

Cylinder: Zinc die cast, pin tumbler

Standard function: Key removable in locked or unlocked position.

Key retaining function: Alternate key-retaining shifters (page 61) are available separately for key removable in locked position only.

Cams: 2 reversible cams work in all positions

Face: 1" face covers splintering, no additional trim ring required

Finish: 26D or US3

Packaged: Packed 10 per box

KEYING INFORMATION

Keyway: R Series (equivalent to CCL R1 system)

Keys: Includes 2 keys per lock

Stock keying: KD/KA - 5 pin standard

Stock KA#: 4T21579, 4T37526

Masterkeyed: 5 pin standard

Grand masterkeyed: Available

Keyblank 5-pin: KBR-5-NP (equivalent to C0106, 1003A)

INCLUDED ACCESSORIES

See below.

OPTIONAL ACCESSORIES

See pages 60-61 for a complete list of optional cam sizes and other accessories for use with DCN cam locks.

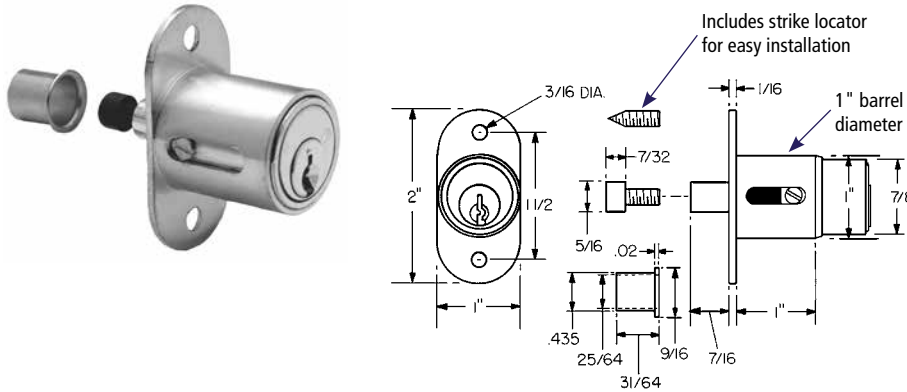
DCNP-200-KR: Key retaining drawer cam shifter

DCNP-200-KDR: Key retaining door cam shifter

INCLUDED ACCESSORIES

<p>DCNP-100-SC straight cam</p>	<p>DCNP-100-BC offset reversible cam</p>	<p>DCNP-500-ARP anti-rotation plate</p>	<p>DCNP-200-OCD lost-motion cam shifter</p>

► 400SD Plunger Lock



Item	Finish	Cyl. Length	Keying
400SD	26D, US3, 10B	1"	KD, KA 4T21579, 4T37526 Custom Keyed

SPECIFICATIONS

Keying: Can be keyed together with other R Series locks
Rekeyable: Easily rekeyable via speed-release cylinder release mechanism
US Patent Nos: 4,920,774; 5,121,619
Standard function: Key removable in locked or unlocked position.
Body: Zinc die cast
Cylinder: Solid brass, pin tumbler
Cylinder length: 1"
Barrel diameter: 1"
Finish: 26D, US3 or 10B
Packaged: Packed 10 per box

KEYING INFORMATION

Keyway: R Series (equivalent to CCL R1 system)
Keys: Includes 2 keys per lock
Stock keying: KD/KA - 5 pin standard
Stock KA#: 4T21579, 4T37526
Masterkeyed: 5 pin standard
Grand masterkeyed: Available
Keyblank 5-pin: KBR-5-NP (equivalent to CO106, 1003A)

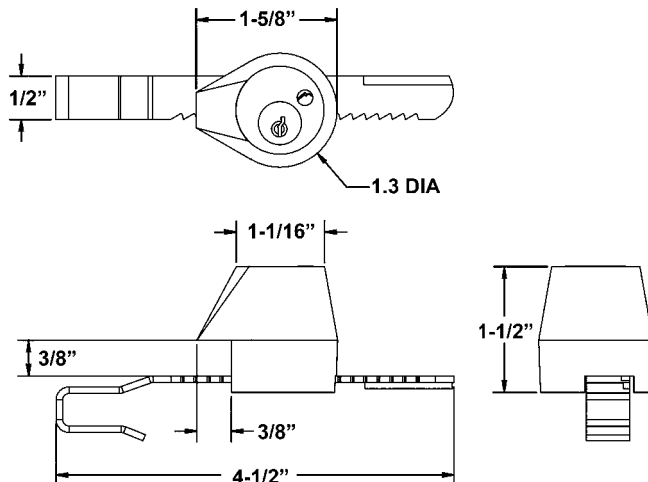
INCLUDED ACCESSORIES

34-9 matching thimble strike
 10-24 machine thread bolt extender for varying gaps between bypassing doors
 10-24 machine thread strike locator

► 429R Showcase/Ratchet Lock



Item	Finish	Keying
429R	26D	KD, KA 4T21579, 4T37526 Custom Keyed



SPECIFICATIONS

Keying: Can be keyed together with other R Series locks
Rekeyable: Easily rekeyable via speed-release cylinder release mechanism
US Patent No: 5,121,619
Body: Zinc die cast
Cylinder: Solid brass, pin tumbler
Strap: Nylon coated strap fits 1/4" material
Finish: 26D
Packaged: Packed 10 per box

KEYING INFORMATION

Keyway: R Series (equivalent to CCL R1 system)
Stock keying: KD/KA - 5 pin standard
Stock KA#: 4T21579, 4T37526
Masterkeyed: 5 pin standard
Grand masterkeyed: Available
Keyblank 5-pin: KBR-5-NP (equivalent to CO106, 1003A)

INCLUDED ACCESSORIES

Strap for 1/4" material thickness

► 996 | 997 Latch Lock

Field reversible into all four handings!



996V



996I



997L



997R

FIELD REVERSIBLE INTO ALL FOUR HANDINGS

Item	Function	Finish	Cyl. Length	Keying
997R	RH Door	26D, US4	15/16" or 1-3/8"	KD, KA 4T21579, 4T37526 Custom Keyed
997L	LH Door	26D, US4	15/16" or 1-3/8"	
996V	VH Drawer	26D, US4	15/16" or 1-3/8"	
996I	IH Drawer	26D, US4	15/16" or 1-3/8"	

Field reversible: Locks are easily reconfigured in the field into any of the four handings.

SPECIFICATIONS

- Function:** Spring latch
- Keying:** Can be keyed together with other R Series locks
- Reversible:** Easily reversible between door and drawer function
- Rekeyable:** Easily rekeyable via set screw cylinder release mechanism
- US Patent Nos:** 4,899,563; 7,874,189 B2
- Body:** Zinc die cast
- Cylinder:** Solid brass, pin tumbler
- Cylinder length:** 15/16" or 1-3/8"
- Barrel diameter:** 7/8"
- Latch projection:** 1/4"
- Finish:** 26D or US4
- Packaged:** Packed 10 per box

KEYING INFORMATION

- Keyway:** R Series (equivalent to CCL R1 system)
- Keys:** Includes 2 keys per lock
- Stock keying:** KD/KA - 5 pin standard
- Stock KA#:** 4T21579, 4T37526
- Masterkeyed:** 5 pin standard, 6 pin available
- Grand masterkeyed:** Available
- Keyblank 5-pin:** KBR-5-NP (equivalent to CO106, 1003A)
- Keyblank 6-pin:** KBR-6-NP (equivalent to L1003A)

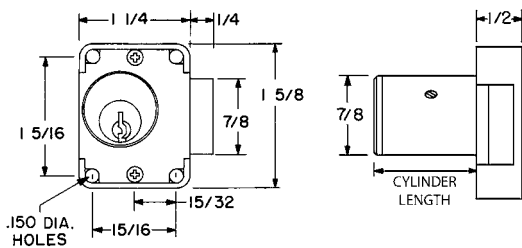
INCLUDED ACCESSORIES

Strike: 999-STRIKE (slotted lip strike)

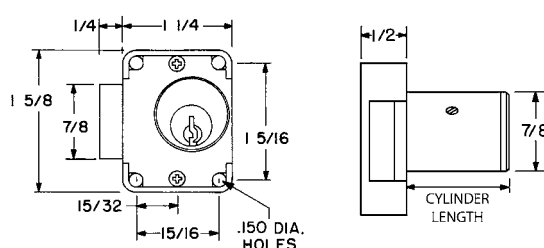
OPTIONAL ACCESSORIES

- See the accessories section of this catalog for a complete list.
- Spacer:** WP24 (1/8" thick)
- Trim ring:** TR1256
- Through-bolt hardware:** ETS6 trim plate

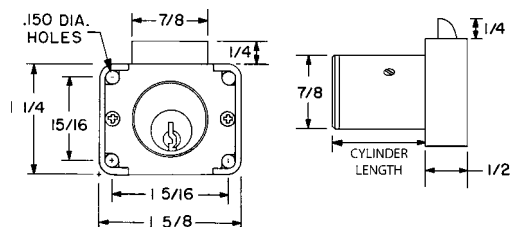
997L LEFT HAND



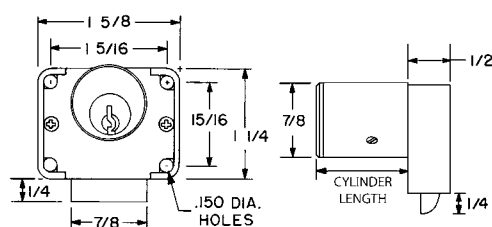
997R RIGHT HAND



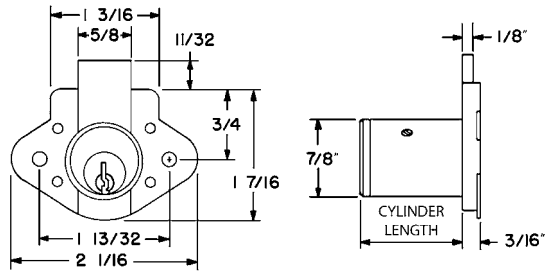
996V VERTICAL HAND



996I INVERTED HAND

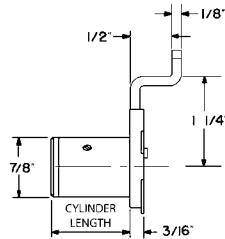


► R078 Deadbolt Lock



Item	Function	Finish	Cyl. Length	Keying
R078	VH Drawer	26D, US4	1-1/8" or 1-3/8"	KD, KA 4T21579, 4T37526 Custom Keyed
Outbent bolt installed:		Specify LB1 for 1/2" offset outbent drawer bolt installed in lock.		
Outbent bolt only:		Order part number 078-LB1-DW for outbent drawer bolt only.		

OPTIONAL OFFSET BOLT



SPECIFICATIONS

Keying: Can be keyed together with other R Series locks
Rekeyable: Easily rekeyable via set screw cylinder release mechanism
US Patent Nos: 4,899,563; 4,920,774
Body: Zinc die cast
Cylinder: Solid brass, pin tumbler
Cylinder length: 1-1/8"
Barrel diameter: 7/8"
Finish: 26D or US4
Packaged: Packed 10 per box

KEYING INFORMATION

Keyway: R Series (equivalent to CCL R1 system)
Keys: Includes 2 keys per lock
Stock keying: KD/KA - 5 pin standard
Stock KA#: 4T21579, 4T37526
Masterkeyed: 5 pin standard
Grand masterkeyed: Available
Keyblank 5-pin: KBR-5-NP (equivalent to C0106, 1003A)

OPTIONAL ACCESSORIES

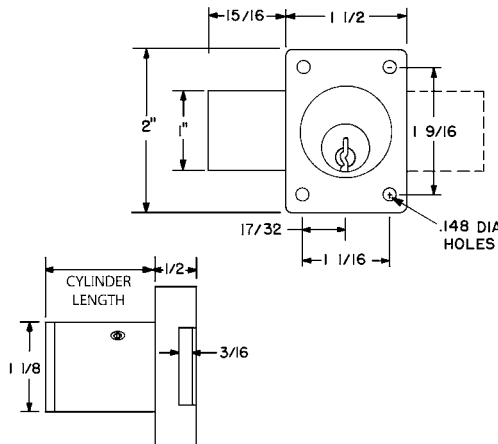
See the accessories section of this catalog for a complete list.
Spacers: WP21 (3/32" thick), WP22 (1/4" thick), WP23 (1/2" thick)
Strikes: 07S, 56-1, 12-1, 12-2, 12-3, 12-4 strikes
Trim collar: TR1256
Optional bolt: 078-LB1-DW optional 1/2" outbent drawer bolt
Through-bolt hardware: ETS3 trim plate and ETST3 template

► 700S Door Lock



ANSI/BHMA
A156.11 Grade 1
E07121

Woodwork Institute
(WI) acknowledged
product



Item	Function	Finish	Cyl. Length	Keying
700S	Door	26D, US3, 10B	1-1/8" or 1-3/8"	KD, KA 101,102, O-Bit Custom Keyed
700KL	LH Door-KR	26D, US3, 10B	1-1/8" or 1-3/8"	
700KR	RH Door-KR	26D, US3, 10B	1-1/8" or 1-3/8"	
Key-retaining (KR): Specify item 700KL for left-hand doors and 700KR for right-hand doors. (KL and KR designation are <i>only required for key retaining locks</i>).				
10B finish: Not available on 700S 1-3/8", 700KL 1-3/8" or 700KR 1-3/8"				

SPECIFICATIONS

Keying: Can be keyed together with other Schlage C Keyway locks

Rekeyable: Easily rekeyable via set screw cylinder release mechanism

ANSI/BHMA: Passed ANSI/BHMA A156.11 Grade 1 performance requirements. Equivalent to E07121 (700S) / E07041 (800S).

US Patent Nos: 4,899,563; 4,920,774

Standard function: Key removable in locked or unlocked position. Standard function locks are non-handed.

Key-retaining: Key removable in locked position only. Specify handing (KL/KR for doors or KI/KV for drawers) when ordering.

Body: Zinc die cast

Cylinder: Will accept other manufacturer's Schlage compatible key-in-knob cylinders

Cylinder length: 1-1/8" or 1-3/8"

Barrel diameter: 1-1/8"

Finish: 26D, US3, 10B

Packaged: Packed 10 per box

KEYING INFORMATION

Keyway: Schlage C keyway

Keys: Includes 2 keys per lock

Cylinder: Solid brass, pin tumbler

Stock keying: KD/KA - 5 pin standard

Stock KA#: 101, 102, O-Bit

Masterkeying: 5 pin standard, 6-pin available

Grand masterkeying: Available

Keyblank 5-pin: KBSC-5

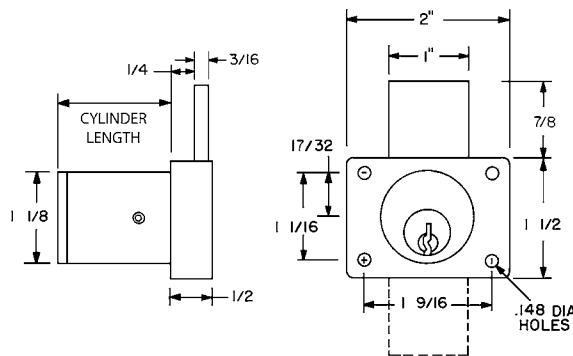
Keyblank 6-pin: KBSC-6

► 800S Drawer Lock



ANSI/BHMA
A156.11 Grade 1
E07041

Woodwork Institute
(WI) acknowledged
product



Item	Function	Finish	Cyl. Length	Keying
800S	Drawer	26D, US3, 10B	1-1/8" or 1-3/8"	KD, KA 101,102 O-Bit Custom Keyed
800KI	IH Drawer-KR	26D, US3, 10B	1-1/8" or 1-3/8"	
800KV	VH Drawer-KR	26D, US3, 10B	1-1/8" or 1-3/8"	
Key-retaining (KR): Specify item 800KI for inverted drawers and 800KV for vertical drawers. (KI and KV designation are <i>only required for key retaining locks</i>).				

INCLUDED ACCESSORIES

For 1-1/8" barrel length locks:

10-350 plastic spacers (qty 2)

10-054 1/4" plastic bar strike

10-055 1/2" plastic bar strike

For 1-3/8" barrel length locks:

10-054 1/4" plastic bar strike

OPTIONAL ACCESSORIES

See the accessories section of this catalog for a complete list.

Spacers: 10-348 (1/4" thick), 10-349 (1/2" thick), 10-350 (1/8" thick)

Strikes: 10-052, 10-056, 10-057, 10-058, 12-2, 12-3, 12-4

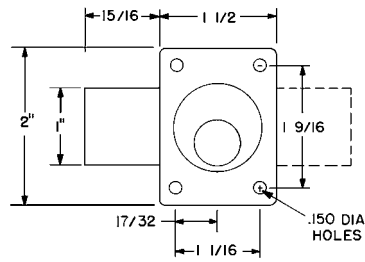
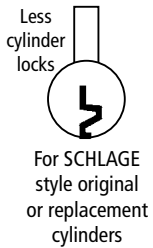
Trim collar: TR78

Through-bolt hardware: ETS1 trim plate, ETS1-PL trim pull and ETST1 template

Standard Cylinder

Schlage C Keyway or Less Cylinder

► 700LC Door Lock

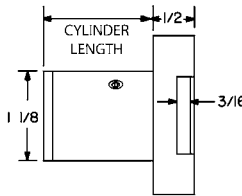


ANSI/BHMA
A156.11 Grade 1
E07121

Woodwork Institute
(WI) acknowledged
product

Item	Finish	Cyl. Length	Keying
700LCA	26D, US3, 10B	1-1/8"	Less Cylinder
700LCM	26D, US3, 10B	1-3/8"	

Note: 700LCM 1-3/8" barrel length locks are required for use with Medeco or Assa cylinders.



SPECIFICATIONS

Rekeyable: Easily rekeyable via set screw cylinder release mechanism
ANSI/BHMA: Passed ANSI/BHMA A156.11 Grade 1 performance requirements. Equivalent to E07121 (700LC) / E07041 (800LC).
US Patent Nos: 4,899,563; 4,920,774
Body: Zinc die cast
Cylinder: Will accept other manufacturer's Schlage compatible key-in-knob cylinders
Cylinder length: 1-1/8" or 1-3/8"
Barrel diameter: 1-1/8"
Finish: 26D, US3, 10B
Packaged: Packed 10 per box

INCLUDED ACCESSORIES

For 1-1/8" barrel length locks:
 10-350 plastic spacers (qty 2)
 10-054 1/4" plastic bar strike
 10-055 1/2" plastic bar strike
 10-360 universal driver, and 1 tailpiece for use with Schlage compatible cylinders
For 1-3/8" barrel length locks:
 10-054 1/4" plastic bar strike
 10-360 universal driver, and 3 tailpieces for use with Schlage compatible, Medeco or Assa cylinders

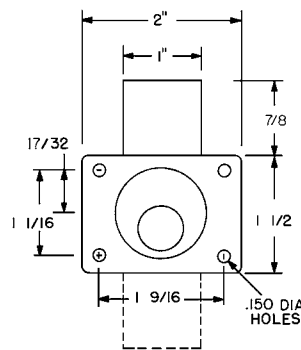
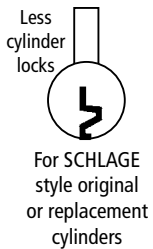
CYLINDER INFORMATION

Cylinder: Not included
Includes: All parts necessary to work with other manufacturers cylinders
ILCO cylinder: #1599 (various keyways available)
Assa cylinder: Requires LCM (1-3/8") locks
 Assa p/n: #65611
Medeco cylinders: Requires LCM (1-3/8") locks
 Original: 6 pin #20-009S4
 5 pin #20-008S4
 Biaxial: 6 pin #20W009S4
 5 pin #20W008S4
 Keymark: 6 pin #20K009S4
 Key retaining cylinder: #20W200S1
Compatible electronic cylinders: Medeco LOGIC, ASSA CLIQ or VIDEX CyberLock key-in-knob cylinders

OPTIONAL ACCESSORIES

See the accessories section of this catalog for a complete list.
Spacers: 10-348 (1/4" thick), 10-349 (1/2" thick), 10-350 (1/8" thick)
Strikes: 10-052, 10-056, 10-057, 10-058, 12-2, 12-3, 12-4
Trim collar: TR78 trim ring
Through-bolt hardware: ETS1 trim plate, ETS1-PL trim pull and ETST1 template
Cylinder: 78-201 Series (page 54)
Other: 78-KABA-CONV conversion kit for KABA-Peaks or Mul-T-Lock cylinders

► 800LC Drawer Lock

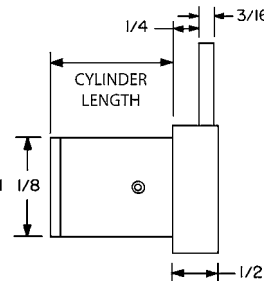


ANSI/BHMA
A156.11 Grade 1
E07041

Woodwork Institute
(WI) acknowledged
product

Item	Finish	Cyl. Length	Keying
800LCA	26D, US3, 10B	1-1/8"	Less Cylinder
800LCM	26D, US3, 10B	1-3/8"	

Note: 800LCM 1-3/8" barrel length locks are required for use with Medeco or Assa cylinders.

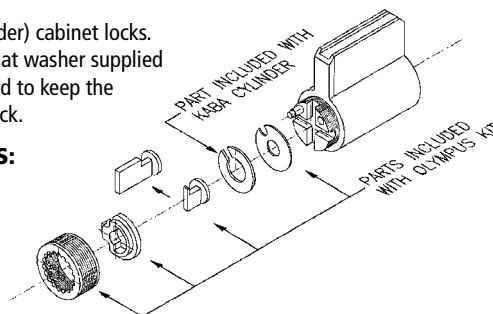


► 78-KABA-CONV Kaba Conversion Kit

For use with Olympus 700LC and 800LC (less cylinder) cabinet locks. The conversion kit requires the use of the C-form flat washer supplied with the KABA-Peaks cylinder. The washer is needed to keep the Olympus tailpiece on center while operating the lock.

USE WITH THE FOLLOWING CYLINDERS:

KABA-Peaks universal cylinder
 #3400-XX-1099 (where "XX" denotes finish)
Mul-T-Lock cylinders



Standard Cylinder

Schlage C Keyway or Less Cylinder

► 820 Cam Lock




820S



820LC

Note: This lock does not accept Medeco cylinders.

Less cylinder locks

 For SCHLAGE style original or replacement cylinders



720-PL3
anti-rotation plate

Woodwork Institute (WI) acknowledged product

Item	Finish	Cyl. Diameter	Mat. Thickness	Keying
820S	26D, US3	1-1/8"	Up to 1-3/8"	KD, KA 101, 102, 0-Bit Custom Keyed
820LC	26D, US3	1-1/8"	Up to 1-3/8"	Less Cylinder

SPECIFICATIONS

Rekeyable: Easily rekeyable via set screw on back of lock body
U.S. Patent No: 7,716,958 B2
Cylinder diameter: 1-1/8"
Across flats: 7/8"
Max. material thickness: 1-3/8"
Min. material thickness: 0.08"
Body: Zinc die cast
Functions: Includes parts for key-retaining or non-key-retaining
Finish: 26D or US3
Packaged: Packed 10 per box

820S KEYING INFORMATION

Keying: Can be keyed together with other Schlage C Keyway locks
Keyway: Schlage "C" Keyway
Keys: Includes 2 keys per lock
Cylinder: Solid brass, pin tumbler
Stock keying: KD/KA - 5 pin standard
Stock KA#: 101, 102, 0-Bit
Masterkeying: 5 pin standard, 6-pin available
Grand masterkeying: Available
Keyblank 5-pin: KBSC-5
Keyblank 6-pin: KBSC-6

820LC CYLINDER INFORMATION

Cylinder: Not included
Accepts: Schlage compatible key-in-knob cylinders including ILCO cylinder #1599. This lock does not accept Medeco cylinders.
Includes: All parts necessary to work with other manufacturers' Schlage compatible cylinders.
Compatible electronic cylinders: ASSA CLIQ or VIDEX CyberLock key-in-knob cylinders.

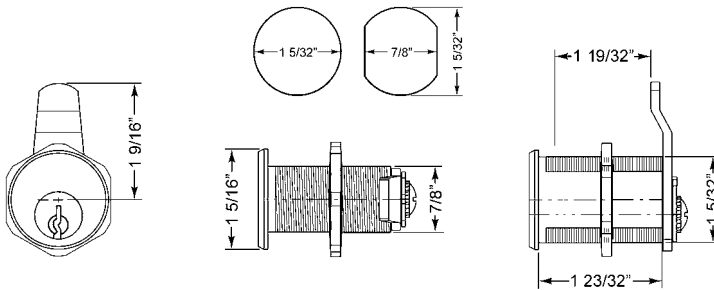
INCLUDED ACCESSORIES

720-PL3 anti-rotation plate
 720-3-1 short inverted cam
 720-3-2 long vertical cam
 720-CDLM lost motion cam shifter
 720-CDDM key retaining door cam shifter
 720-KR key retaining drawer cam shifter

OPTIONAL ACCESSORIES

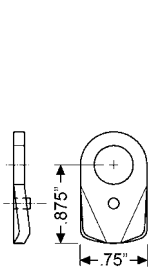
See accessories on page 69. See page 70 for cam assembly instructions.
Optional cams: 7-3-2, 7-3-3, 7-3-4, 7-3-5
Trim collars: TR200 Series
Cylinder: 78-201 Series (page 54)
Switch accessory pack: SW-1
CL-MP-118: Double-D metal punch (page 57)

MOUNTING CUTOUT

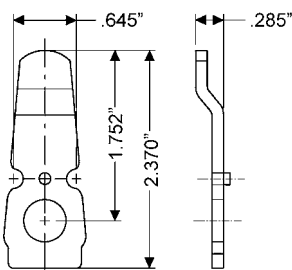


INCLUDED CAMS

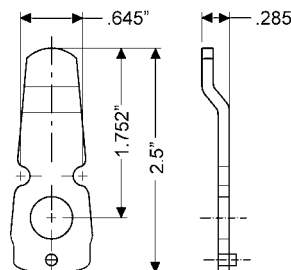
May include either 720-3-2 (mid-pin style) OR 720-3-2 (bottom-pin style)



720-3-1
for inverted function



720-3-2
inbent cam for vertical function (mid-pin style)




720-3-2
inbent cam for vertical function (bottom-pin style)

Standard Cylinder

Schlage C Keyway or Less Cylinder

► 829R Showcase/Ratchet Lock



Less cylinder locks

 For SCHLAGE style original or replacement cylinders

Woodwork Institute (WI) acknowledged product

FOR BYPASSING SLIDING DOORS

Item	Finish	Mat. Thickness	Keying
829R	26D	Up to 1/4"	KD, KA 101, 102, O-Bit Custom Keyed
829R-LC	26D	Up to 1/4"	Less Cylinder
829-MD	Medeco Driver Pack (required if installing Medeco cylinders in LC (less cylinder product). Sold separately.		
Optional straps:	729RS-2 fits up to 3/8" material thickness 729RS-3 fits up to 5/8" material thickness (adjustable)		

SPECIFICATIONS

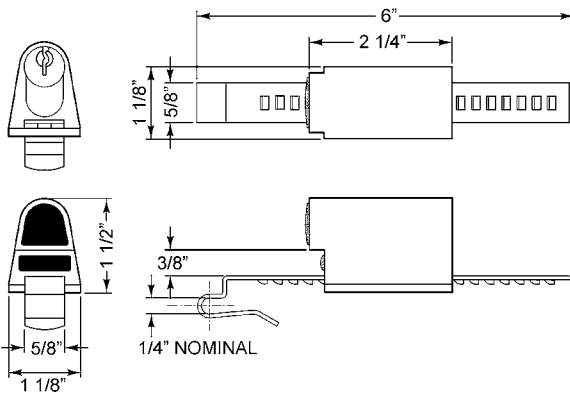
Rekeyable: Easily rekeyable via set screw cylinder release mechanism
ANSI/BHMA: Complies with clause 6.3 (8.2~8.4) of ANSI/BHMA A156.11 ANSI standards
Use: Sliding glass or wood doors
Body: Zinc die cast
Strap: Steel
Finish: 26D
Packaged: Packed 10 per box

829R KEYING INFORMATION

Keying: Can be keyed together with other Schlage C Keyway locks
Keyway: Schlage C keyway
Keys: Includes 2 keys per lock
Cylinder: Solid brass pin, tumbler
Stock keying: KD/KA - 5 pin standard
Stock KA#: 101, 102, O-Bit
Masterkeying: 5 pin standard, 6-pin available
Grand masterkeying: Available
Keyblank 5-pin: KBSC-5
Keyblank 6-pin: KBSC-6

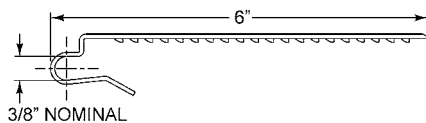
829R-LC CYLINDER INFORMATION

Cylinder: Not included
Includes: All parts necessary to work with other manufacturers' cylinders
Accepts: Schlage compatible key-in-knob cylinders including ILCO cylinder #1599 and Medeco cylinders
Medeco cylinders: Requires optional 829-MD Medeco Driver Pack (available separately.) Will accept the following Medeco cylinders:
 Original: 6 pin #20-00954
 5 pin #20-00854
 Biaxial: 6 pin #20W00954
 5 pin #20W00854
 Keymark: 6 pin #20K00954
 Key retaining cylinder: #20W200S1
Compatible electronic cylinders: Medeco LOGIC, ASSA CLIQ or VIDEX CyberLock key-in-knob cylinders

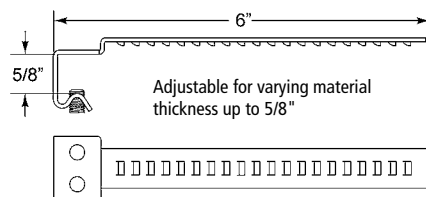


OPTIONAL STRAPS

729RS-2



729RS-3



INCLUDES

729RS-1 strap for 3/16" to 1/4" material thickness

OPTIONAL ACCESSORIES

Alternate straps: 729RS-2 strap for 3/8" material thickness, or 729RS-3 strap for up to 5/8" material thickness
Medeco driver pack: 829-MD (required if using Medeco cylinders)
Cylinder: 78-201 Series (page 54)

Standard Cylinder

Schlage C Keyway or Less Cylinder

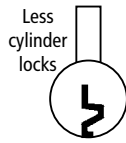
► L78 Latch Lock



L78V



L78V-LC



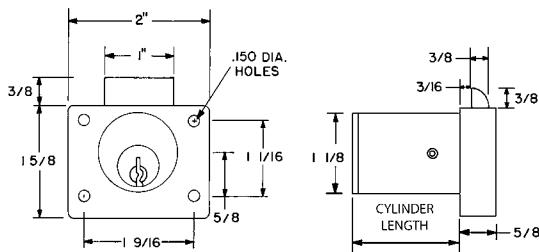
For SCHLAGE style original or replacement cylinders

FIELD REVERSIBLE INTO ALL FOUR HANDINGS!

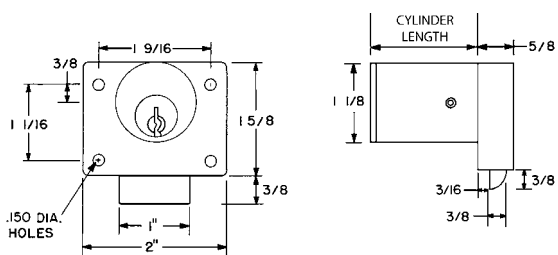
Item	Function	Finish	Cyl. Length	Keying
L78R	RH Door	26D, US3	1-1/8" or 1-3/8"	KD, KA 101, 102 Custom Keyed
L78L	LH Door	26D, US3	1-1/8" or 1-3/8"	
L78V	VH Drawer	26D, US3	1-1/8" or 1-3/8"	
L78I	IH Drawer	26D, US3	1-1/8" or 1-3/8"	

Item	Function	Finish	Cyl. Length	Keying
L78R-LCA	RH Door	26D, US3	1-1/8"	Less Cylinder
L78R-LCM	RH Door	26D, US3	1-3/8"	
L78L-LCA	LH Door	26D, US3	1-1/8"	
L78L-LCM	LH Door	26D, US3	1-3/8"	
L78V-LCA	VH Drawer	26D, US3	1-1/8"	
L78V-LCM	VH Drawer	26D, US3	1-3/8"	
L78I-LCA	IH Drawer	26D, US3	1-1/8"	
L78I-LCM	IH Drawer	26D, US3	1-3/8"	

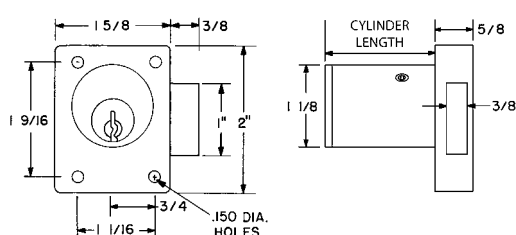
L78V Vertical Hand (VH)



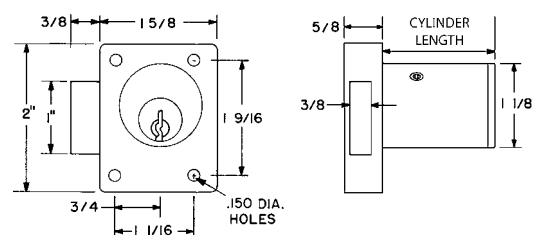
L78I Inverted Hand (IH)



L78L Left Hand (LH)



L78R Right Hand (RH)



SPECIFICATIONS

- Reversible:** Easily field reversible between door and drawer functions
- Rekeyable:** Easily rekeyable via set screw cylinder release mechanism
- US Patent Nos:** 4,899,563; 7,874,189 B2
- Body:** Zinc die cast
- Cylinder length:** 1-1/8" or 1-3/8"
- Barrel diameter:** 1-1/8"
- Finish:** 26D or US3
- Packaged:** Packed 10 per box

INCLUDED ACCESSORIES

For 1-1/8" barrel length locks:

- 10-351 plastic spacers (qty 2)
- L78ST-1 lipped strike

For 1-3/8" barrel length locks:

- L78ST-2 lipped strike

L78 KEYING INFORMATION

- Keying:** Can be keyed together with other Schlage C Keyway locks
- Keyway:** Schlage C keyway
- Keys:** Includes 2 keys per lock
- Cylinder:** Solid brass, pin tumbler
- Stock keying:** KD/KA - 5 pin standard
- Stock KA#:** 101, 102
- Masterkeying:** 5 pin standard, 6-pin available
- Grand masterkeying:** Available
- Keyblank 5-pin:** KBSC-5
- Keyblank 6-pin:** KBSC-6

L78-LC CYLINDER INFORMATION

- Cylinder:** Not included
- Accepts:** Schlage compatible key-in-knob cylinders including ILCO cylinder #1599
- Includes:** All parts necessary to work with other manufacturers' cylinders
- Compatible electronic cylinders:** Medeco LOGIC, ASSA CLIQ or VIDEX CyberLock key-in-knob cylinders

OPTIONAL ACCESSORIES

See the accessories section of this catalog for a complete list.

- Trim collar:** TR78 trim ring
- Spacer:** 10-351 spacer (1/8" thick)
- Cylinder:** 78-201 Series (page 54)

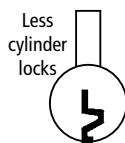
► 850S Deadlatching Drawer Lock



850S



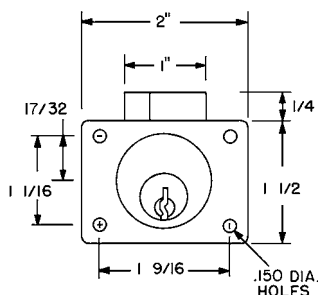
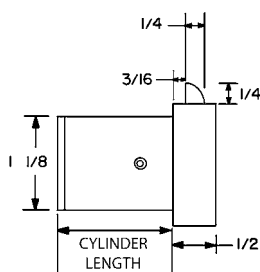
850LC



Less cylinder locks
For SCHLAGE style original or replacement cylinders

Item	Function	Finish	Cyl. Length	Keying
850S	VH Drawer	26D, US3	1-1/8"	KD, KA 101, 102 Custom Keyed
850S	VH Drawer	26D, US3	1-3/8"	

Item	Function	Finish	Cyl. Length	Keying
850LCA	VH Drawer	26D, US3	1-1/8"	Less Cylinder
850LCM	VH Drawer	26D, US3	1-3/8"	



SPECIFICATIONS

Rekeyable: Easily rekeyable via set-screw cylinder removal mechanism

U.S. Patent Nos: 4,899,563; 4,920,774; 5,657,652

Body: Zinc die cast

Cylinder length: 1-1/8" or 1-3/8"

Barrel diameter: 1-1/8"

Finish: 26D or US3

Packaged: Packed 10 per box

INCLUDED ACCESSORIES

For 1-1/8" barrel length locks:

10-350 plastic spacers (qty 2)

850-210 matching strike

For 1-3/8" barrel length locks:

850-211 matching strike

850S KEYING INFORMATION

Keying: Can be keyed together with other Schlage C Keyway locks

Keyway: Schlage C keyway

Keys: Includes 2 keys per lock

Cylinder: Solid brass, pin tumbler

Stock keying: KD/KA - 5 pin standard

Stock KA#: 101, 102

Masterkeying: 5 pin standard, 6-pin available

Grand masterkeying: Available

Keyblank 5-pin: KBSC-5

Keyblank 6-pin: KBSC-6

850LC CYLINDER INFORMATION

Cylinder: Not included

Accepts: Schlage compatible key-in-knob cylinders including ILCO cylinder #1599

Includes: All parts necessary to work with other manufacturers' cylinders

Compatible electronic cylinders: Medeco LOGIC, ASSA CLIQ or VIDEX CyberLock key-in-knob cylinders

OPTIONAL ACCESSORIES

See the accessories section of this catalog for a complete list.

Spacers: 10-350 spacer (1/8" thick), 10-348 spacer (1/4" thick), 10-349 spacer (1/2" thick)


Trim ring: TR78 trim ring

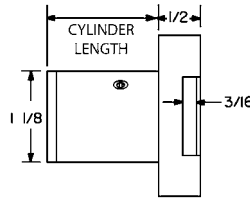
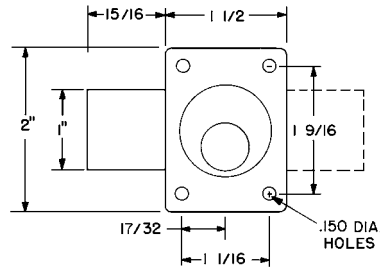
Cylinder: 78-201 Series (page 54)

Through-bolt hardware: ETS1 trim plate, ETS1-PL trim pull and ETST1 template

► 754LC Door Lock

For SARGENT C480-2 (13-3457) deadbolt cylinder

Less cylinder locks

 For SARGENT original deadbolt-style cylinders



Woodwork Institute (WI) acknowledged product

Item	Finish	Cyl. Length	Description
754LC	26D, US3	1-3/8"	Less Cylinder - For use with Sargent C480-2 (13-3457) deadbolt cylinder

SPECIFICATIONS

Rekeyable: Easily rekeyable via set-screw cylinder removal mechanism

US Patent Nos: 4,899,563; 4,920,774

Standard function: Key removable in locked or unlocked position. Standard function locks are non-handed.

Body: Zinc die cast

Cylinder length: 1-3/8"

Barrel diameter: 1-1/8"

Finish: 26D or US3

Packaged: Packed 10 per box

CYLINDER INFORMATION

Cylinder: Not included

Accepts: Sargent C480-2 (13-3457) 6-pin deadbolt cylinder

INCLUDED ACCESSORIES

All parts to work with Sargent original cylinders 10-056 notched strike

OPTIONAL ACCESSORIES

See the accessories section of this catalog for a complete list.

Spacers: 10-348 (1/4" thick), 10-349 (1/2" thick), 10-350 (1/2" thick)


Strikes: 10-052, 10-054, 10-055, 10-057, 10-058, 12-2, 12-3, 12-4

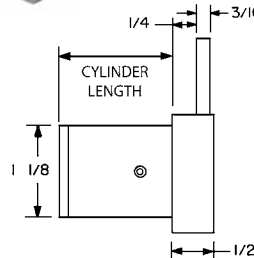
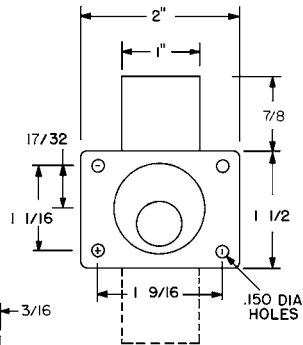
Trim ring: TR78

Through-bolt hardware: ETS1 trim plate, ETS1-PL trim pull and ETST1 template

► 854LC Drawer Lock

For SARGENT C480-2 (13-3457) deadbolt cylinder

Less cylinder locks

 For SARGENT original deadbolt-style cylinders



Woodwork Institute (WI) acknowledged product

Item	Finish	Cyl. Length	Description
854LC	26D, US3	1-3/8"	Less Cylinder - For use with Sargent C480-2 (13-3457) deadbolt cylinder

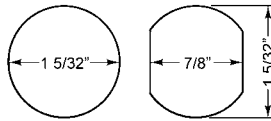
► SA54 Cam Lock



For SARGENT interchangeable core cylinders



MOUNTING CUTOUT



720-PL3
anti-rotation plate

SPECIFICATIONS

- Cylinder diameter: 1-1/8"
- Across flats: 7/8"
- Max. material thickness: 1-1/8"
- Min. material thickness: 0.08"
- Functions: Includes parts for key-retaining or non-key-retaining function
- Body: Zinc die cast
- Finish: 26D
- Packaged: Packed 10 per box

CYLINDER INFORMATION

- Cylinder: Not included
- Accepts: Sargent 6300 Series interchangeable core cylinders
- Note: Use of Sargent "Degree" interchangeable cores requires purchase of alternate SA54-PD-DG prong driver.

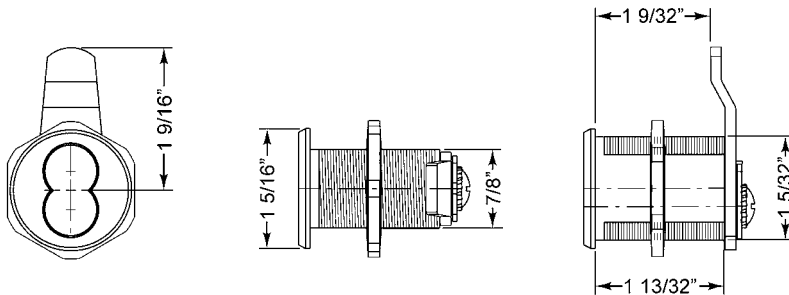
INCLUDED ACCESSORIES

- Plastic actuator to operate lock without core
- 720-PL3 anti-rotation plate
- 720-3-1 short inverted cam
- 720-3-2 long vertical cam
- 720-CDLM lost motion cam shifter
- 720-CDDM key retaining door cam shifter
- 720-KR key retaining drawer cam shifter
- Prong driver for Sargent 6300 series interchangeable cores

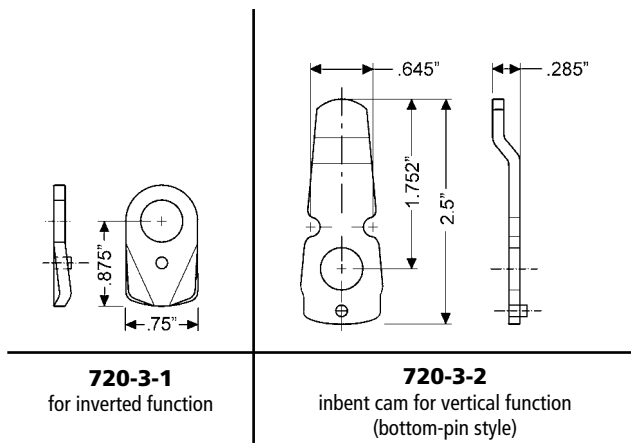
OPTIONAL ACCESSORIES

- See accessories on page 69. See page 70 for cam assembly instructions.
- Optional cams: 7-3-2, 7-3-3, 7-3-4, 7-3-5
- Trim collars: TR200 Series
- Switch accessory pack: SW-1
- CL-MP-118: Double-D metal punch (page 57)
- Prong Driver: SA54-PD-DG for use with Sargent "Degree" interchangeable cores

Item	Finish	Cyl. Diameter	Mat. Thickness	Description
SA54LM/DM	26D	1-1/8"	Up to 1-1/8"	Lock body - For use with Sargent IC
SA54-PD-DG	Prong driver for Sargent "Degree" interchangeable cores (available separately)			



INCLUDED CAMS



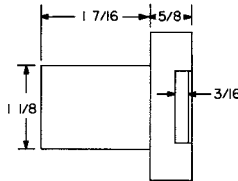
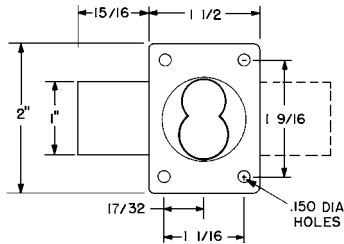
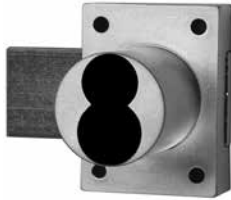
720-3-1
for inverted function

720-3-2
inbent cam for vertical function
(bottom-pin style)

► 777 Door Lock



For SCHLAGE
full-size
interchangeable
core cylinders



ANSI/BHMA
A156.11 Grade 1
E07121

Woodwork Institute
(WI) acknowledged
product

KEY REMOVABLE LOCKED OR UNLOCKED POSITION

Item	Function	Finish	Core	Description
777ICP-DR	Door	26D, US3, 10B	Standard/Classic or Primus/Everest	Lock body - For Schlage full-size IC

KEY RETAINING (KEY REMOVABLE LOCKED POSITION ONLY)

Item	Function	Finish	Core	Description
777IC-DRK	Door-KR	26D, US3, 10B	Standard/Classic	Lock body - For Schlage full-size IC
777P-DRK	Door-KR	26D, US3, 10B	Primus/Everest	

Key-retaining (KR): Cycle to "locked" position before inserting core.

SPECIFICATIONS

ANSI/BHMA: Passed ANSI/BHMA A156.11 Grade 1 performance requirements. Equivalent to E07121 (777ICP) / E07041 (888ICP)

Standard function: Key removable in locked and unlocked position.

Key-retaining function: Specify core type (Standard/Classic or Primus/Everest) when ordering

Body: Zinc die cast

Cylinder length: 1-7/16"

Barrel diameter: 1-1/8"

Finish: 26D, US3 or 10B

Packaged: Packed 10 per box

CYLINDER INFORMATION

Cylinder: Not included

Accepts: Schlage large format/full-size IC cylinders

- Schlage Quad, Numbered Section, and Schlage Classic IC cores

- Schlage Primus® and Everest large format IC cores

- Mul-T-Lock large format IC cores

Compatible electronic cylinders: VIDEX CyberLock LFIC cylinders

INCLUDED ACCESSORIES

7788-PA-D actuator to operate lock without core

10-350 plastic spacers (qty 3)

10-054 1/4" plastic bar strike

10-055 1/2" plastic bar strike

OPTIONAL ACCESSORIES

See the accessories section of this catalog for a complete list.

Spacers: 10-350 (1/8" thick), 10-348 (1/4" thick), 10-349 (1/2" thick)

Strikes: 10-052, 10-056, 10-057, 10-058, 12-2, 12-3, 12-4

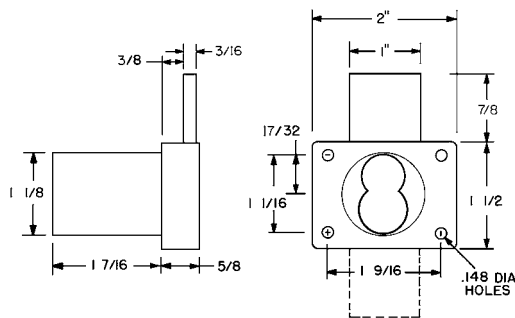
Trim ring: TR78

Through-bolt hardware: ETS1/ETS4/ETS5 trim plate, ETS1-PL trim pull and ETST1 template

► 888 Drawer Lock



For SCHLAGE
full-size
interchangeable
core cylinders



ANSI/BHMA
A156.11 Grade 1
E07041

Woodwork Institute
(WI) acknowledged
product

KEY REMOVABLE LOCKED OR UNLOCKED POSITION

Item	Function	Finish	Core	Description
888ICP-DW	Drawer	26D, US3, 10B	Standard/Classic or Primus/Everest	Lock body - For Schlage full-size IC

KEY RETAINING (KEY REMOVABLE LOCKED POSITION ONLY)

Item	Function	Finish	Core	Description
888IC-DWK	Drawer-KR	26D, US3, 10B	Standard/Classic	Lock body - For Schlage full-size IC
888P-DWK	Drawer-KR	26D, US3, 10B	Primus/Everest	

Key-retaining (KR): Cycle to "locked" position before inserting core.

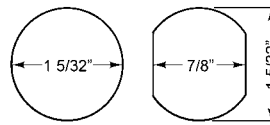
► 920 Cam Lock



For SCHLAGE full-size interchangeable core cylinders



MOUNTING CUTOUT



720-PL3
anti-rotation plate



ANSI/BHMA
A156.11 Grade 1
E07261/E07271

Woodwork Institute
(WI) acknowledged
product

Item	Finish	Cyl. Diameter	Mat. Thickness	Description
920LM/DM	26D, US3	1-1/8"	Up to 1-1/8"	Lock body - For Schlage full-size IC

SPECIFICATIONS

ANSI/BHMA: Passed ANSI/BHMA A156.11 Grade 1 performance requirements. Equivalent to E07261/E07271.

Cylinder diameter: 1-1/8"

Across flats: 7/8"

Max. material thickness: 1-3/16"

Min. material thickness: 0.08"

Functions: Includes parts for key-retaining or non-key-retaining function

Body: Zinc die cast

Finish: 26D or US3

Packaged: 10 per box

CYLINDER INFORMATION

Cylinder: Not included

Accepts: Schlage large format/full-size IC cylinders

- Schlage Quad, Numbered Section, and Schlage Classic IC cores
- Schlage Primus® and Everest large format IC cores
- Mul-T-Lock large format IC cores

Compatible electronic cylinders: VIDEX CyberLock LFIC cylinders

INCLUDED ACCESSORIES

- 7788-PA-D actuator to operate lock without core
- 720-PL3 anti-rotation plate
- 720-3-1 short inverted cam
- 720-3-2 long vertical cam
- 720-CDLM lost motion cam shifter
- 720-CDDM key retaining door cam shifter
- 720-KR key retaining drawer cam shifter

OPTIONAL ACCESSORIES

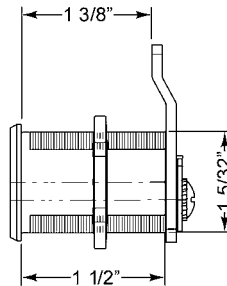
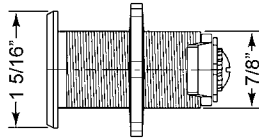
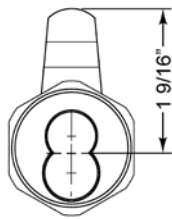
See accessories on page 69. See page 70 for cam assembly instructions.

Optional cams: 7-3-2, 7-3-3, 7-3-4, 7-3-5

Trim collars: TR200 Series

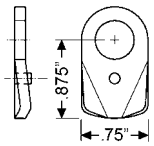
Switch accessory pack: SW-1

CL-MP-118: Double-D metal punch (page 57)

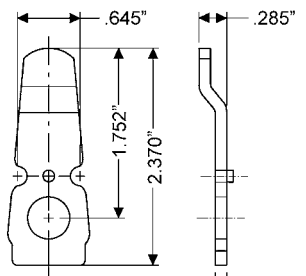


INCLUDED CAMS

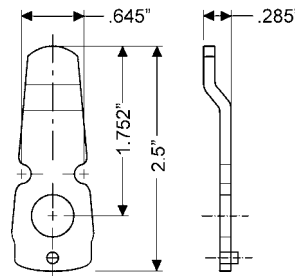
May include either 720-3-2 (mid-pin style) OR 720-3-2 (bottom-pin style)



720-3-1
for inverted function



720-3-2
inbent cam for vertical function
(mid-pin style)



720-3-2
inbent cam for vertical function
(bottom-pin style)

► 929R Showcase/Ratchet Lock



For SCHLAGE
full-size
interchangeable
core cylinders



Woodwork Institute
(WI) acknowledged
product

FOR BYPASSING SLIDING DOORS

Item	Finish	Mat. Thickness	Description
929R	26D	Up to 1/4"	Lock body - For Schlage full-size IC
Optional straps:	729RS-2 fits up to 3/8" material thickness 729RS-3 fits up to 5/8" material thickness (adjustable)		

SPECIFICATIONS

ANSI/BHMA: Complies with clause 6.3 (8.2~8.4) of

ANSI/BHMA A156.11 1999 ANSI standards

Use: Sliding glass or wood doors

Body: Zinc die cast

Strap: Steel

Finish: 26D

Packaged: Packed 10 per box

CYLINDER INFORMATION

Cylinder: Not included

Accepts: Schlage large format/full-size IC cylinders

- Schlage Quad, Numbered Section, and Schlage Classic IC cores

- Schlage Primus® and Everest large format IC cores

- Mul-T-Lock large format IC cores

Compatible electronic cylinders: VIDEX

CyberLock LFIC cylinders

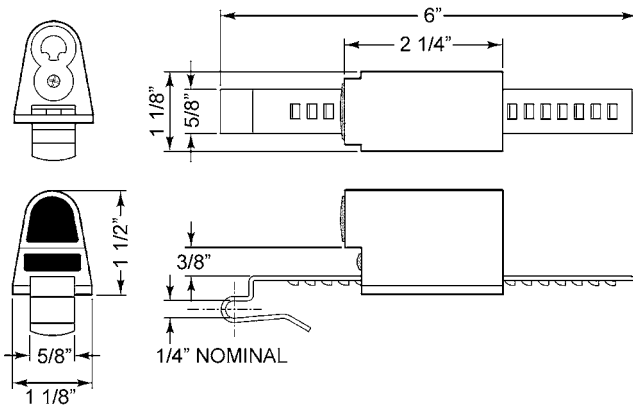
INCLUDED ACCESSORIES

7788-PA-D plastic thumbturn

729RS-1 strap for 3/16" to 1/4" material thickness

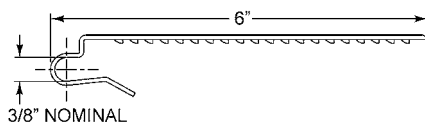
OPTIONAL STRAPS

Alternate straps: 729RS-2 strap for 3/8" material thickness, or 729RS-3 strap for up to 5/8" material thickness

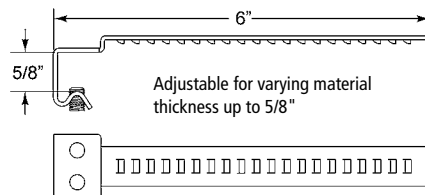


OPTIONAL STRAPS

729RS-2



729RS-3

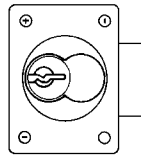


► L92V Latch Lock

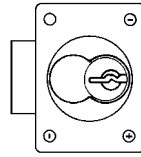

For SCHLAGE
full-size
interchangeable
core cylinders



For door applications,
place lock on side.

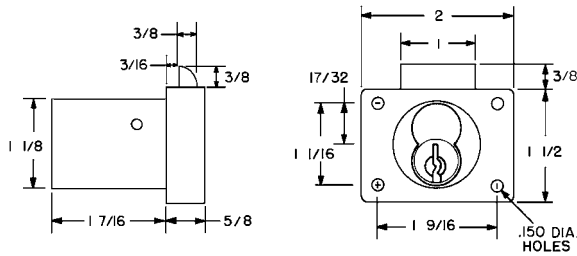


Left-Hand Door



Right-Hand Door

Item	Handing	Finish	Cyl. Length	Keying
L92V	VH Drawer	26D, US3	1-7/16"	Lock body - For Schlage full-size IC



SPECIFICATIONS

Function: Spring latch
Body: Zinc die cast
Barrel diameter: 1-1/8"
Cylinder length: 1-7/16"
Latch projection: 3/8"
Handing: Drawer Vertical
Finish: 26D or US3
Packaged: Packed 10 per box

CYLINDER INFORMATION

Cylinder: Not included
Accepts: Schlage large format/full-size IC cylinders
 - Schlage Quad, Numbered Section, and Schlage Classic IC cores
 - Schlage Primus® and Everest large format IC cores
 - Mul-T-Lock large format IC cores
Compatible electronic cylinders: VIDEX CyberLock LFIC cylinders

INCLUDED ACCESSORIES

10-350 spacers (qty 3)
 L78ST-1-SS matching lip strike
 7788-PA-D plastic thumbturn

OPTIONAL ACCESSORIES

See the accessories section of this catalog for a complete list.

Spacers: 10-350 (1/8" thick), 10-348 (1/4" thick), 10-349 (1/2" thick)

Trim ring: TR78

Through-bolt hardware: ETS1 trim plate, ETS1-PL trim pull and ETST1 template

► CR1125RD Rim Deadbolt



For CORBIN
RUSSWIN
interchangeable
core cylinders



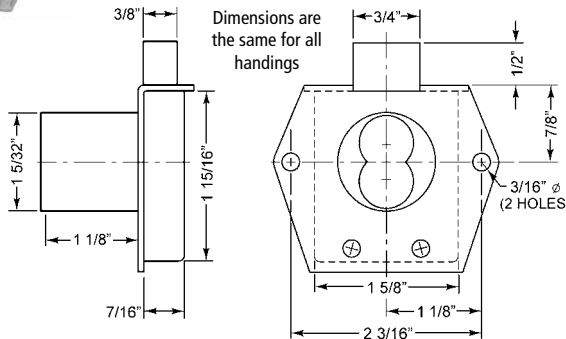
CR1125RD
CR1125RDVH



CR1125RDLH



CR1125RDRH



Woodwork Institute
(WI) acknowledged
product

Part No.	Function	Finish	Cyl. Length	Description
CR1125RDRH	RH Door	26D	1-1/8"	Lock body - For Corbin/Russwin IC
CR1125RDLH	LH Door	26D	1-1/8"	
CR1125RDVH	VH Drawer	26D	1-1/8"	

SPECIFICATIONS

Mounting: Rim (surface)

Function: Key removable in locked and unlocked position

Barrel diameter: 1-5/32"

Cylinder length: 1-1/8"

Body: Zinc die cast cylinder housing, steel back plate and steel case

Finish: 26D

Packaged: Packed 10 per box

CYLINDER INFORMATION

Cylinder: Not included

Accepts: Corbin/Russwin interchangeable core cylinders

INCLUDED ACCESSORIES

725-PA plastic thumbturn

1125-1 spacer to fit 6 or 7 pin cores

725-SP-RD solid rectangular strike

OPTIONAL ACCESSORIES

See the accessories section of this catalog for a complete list.

Spacers: WP725 (1/8" thick), WP726 (1/4" thick)

Strikes: 725-SP Series

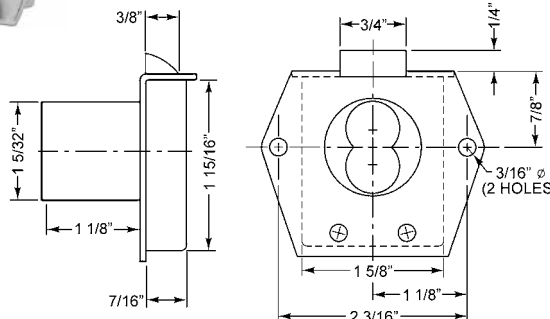
► CR1125RL Rim Latch



For CORBIN
RUSSWIN
interchangeable
core cylinders



CR1125RL
CR1125RLVH



Woodwork Institute
(WI) acknowledged
product

Part No.	Function	Finish	Cyl. Length	Description
CR1125RLVH	VH Drawer	26D	1-1/8"	Lock body - For Corbin/Russwin IC

SPECIFICATIONS

Mounting: Rim (surface)

Barrel diameter: 1-5/32"

Cylinder length: 1-1/8"

Latch projection: 1/4"

Body: Zinc die cast cylinder housing, steel back plate and steel case

Finish: 26D

Packaged: Packed 10 per box

CYLINDER INFORMATION

Cores: Less cylinder

Accepts: Corbin/Russwin interchangeable core cylinders

INCLUDED ACCESSORIES

725-PA actuator to operate lock without core

1125-1 spacer to fit 6 or 7 pin cores

725-SP-RL solid lipped strike

OPTIONAL ACCESSORIES

See the accessories section of this catalog for a complete list.

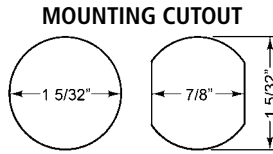
Spacers: WP725 (1/8" thick), WP726 (1/4" thick)

Strikes: 725-SP Series

► CR25 Cam Lock



For CORBIN
RUSSWIN
interchangeable
core cylinders



720-PL3
anti-rotation plate

SPECIFICATIONS

Cylinder diameter: 1-1/8"
Across flats: 7/8"
Max. material thickness: 1-1/8"
Min. material thickness: 0.08"
Functions: Includes parts for key-retaining or non-key-retaining function
Body: Zinc die cast
Finish: 26D
Packaged: 10 per box

CYLINDER INFORMATION

Cylinder: Not included
Accepts: Corbin/Russwin interchangeable core cylinders

INCLUDED ACCESSORIES

725-PA plastic thumbturn
1125-1 spacer to fit 6 or 7 pin cores
720-PL3 anti-rotation plate
720-3-1 short inverted cam
720-3-2 long vertical cam
720-CDLM lost motion cam shifter
720-CDDM key retaining door cam shifter
720-KR key retaining drawer cam shifter

OPTIONAL ACCESSORIES

See accessories on page 69. See page 70 for cam assembly instructions.

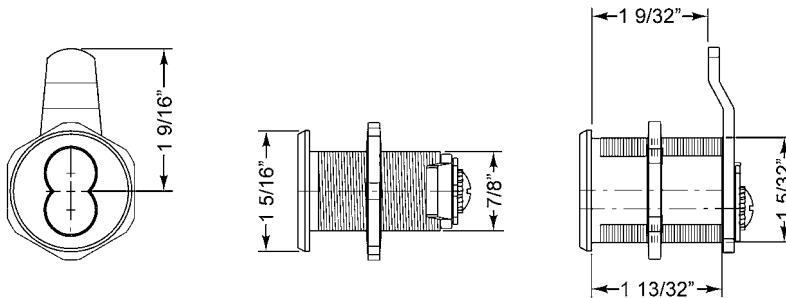
Optional cams: 7-3-2, 7-3-3, 7-3-4, 7-3-5

Trim collars: TR200 Series

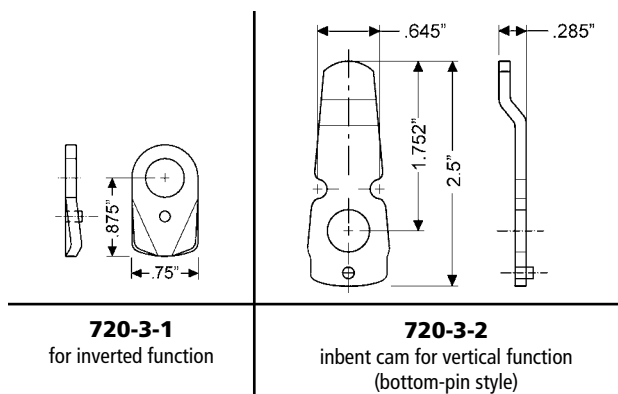
Switch accessory pack: SW-1

CL-MP-118: Double-D metal punch (page 57)

Item	Finish	Cyl. Diameter	Mat. Thickness	Description
CR25LM/DM	26D	1-1/8"	Up to 1-1/8"	Lock body - For Corbin/Russwin IC



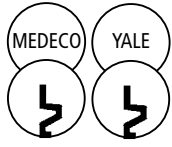
INCLUDED CAMS



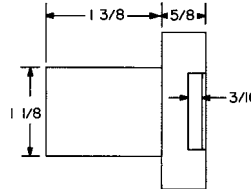
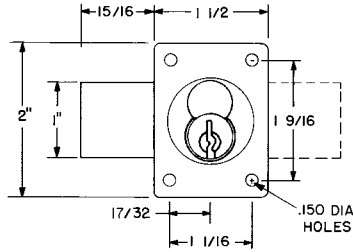
720-3-1
for inverted function

720-3-2
inbent cam for vertical function
(bottom-pin style)

► 931DR Door Lock



For MEDECO/YALE style large format interchangeable core cylinders



IMPORTANT: Medeco "Keymark" cylinders require Best compatible (small format) cabinet lock bodies (See 721DR/DW).

Woodwork Institute (WI) acknowledged product

KEY REMOVABLE LOCKED OR UNLOCKED POSITION

Item	Function	Finish	Cyl. Length	Description
931DR	Door	26D, US3	1-3/8"	Lock body - For Medeco/Yale large format IC

KEY RETAINING (KEY REMOVABLE LOCKED POSITION ONLY)

Item	Function	Finish	Cyl. Length	Description
931DR-KR	Door-KR	26D, US3	1-3/8"	Lock body - For Medeco/Yale large format IC

Key-Retaining (KR): Cycle to "locked" position before inserting core.

SPECIFICATIONS

Standard function: Key removable in locked and unlocked position.

Key-retaining function: Key removable in locked position only. Specify **-KR** for key retaining.

Cylinder length: 1-3/8"

Barrel diameter: 1-1/8"

Body: Zinc die cast

Finish: 26D or US3

Packaged: Packed 10 per box

CYLINDER INFORMATION

Cylinder: Not included

Medeco cylinder: Accepts Medeco #32-0201 (6-pin) IC cylinder and Medeco #31-0100 (6-pin) Yale IC compatible cylinder.

Yale cylinder: Accepts Yale 1210 Series (6-pin) IC core cylinder

ASSA cylinder: Accepts ASSA's 6-pin, Yale-compatible large format IC cylinder.

Special note: Medeco "Keymark" cylinders require Best compatible (small format) cabinet lock bodies.

INCLUDED ACCESSORIES

931-PA plastic thumbturn

931-1 spacer for 6-pin Medeco cores

10-350 plastic spacers (qty 3)

10-054 1/4" plastic bar strike

10-055 1/2" plastic bar strike

OPTIONAL ACCESSORIES

See the accessories section of this catalog for a complete list.

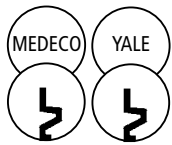
Spacers: 10-350 (1/8" thick), 10-348 (1/4" thick), 10-349 (1/2" thick)

Strikes: 10-052, 10-056, 10-057, 10-058, 12-2, 12-3, 12-4

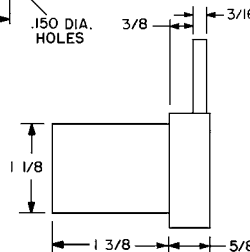
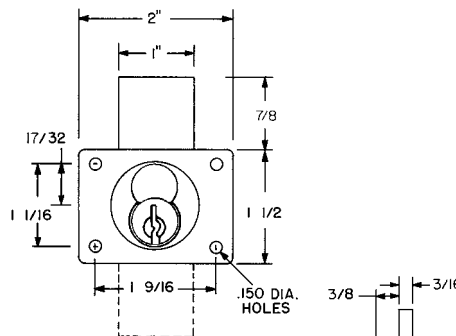
Trim ring: TR78

Through-bolt hardware: ETS1 trim plate, ETS1-PL trim pull and ETST1 template

► 931DW Drawer Lock



For MEDECO/YALE style large format interchangeable core cylinders



IMPORTANT: Medeco "Keymark" cylinders require Best compatible (small format) cabinet lock bodies (See 721DR/DW).

Woodwork Institute (WI) acknowledged product

KEY REMOVABLE LOCKED OR UNLOCKED POSITION

Item	Function	Finish	Cyl. Length	Description
931DW	Drawer	26D, US3	1-3/8"	Lock body - For Medeco/Yale large format IC

KEY RETAINING (KEY REMOVABLE LOCKED POSITION ONLY)

Item	Function	Finish	Cyl. Length	Description
931DW-KR	Drawer-KR	26D, US3	1-3/8"	Lock body - For Medeco/Yale large format IC

Key-Retaining (KR): Cycle to "locked" position before inserting core.

Interchangeable Core

Medeco or Yale Large Format

► ME93 Cam Lock

IMPORTANT: Medeco "Keymark" cylinders require Best compatible (small format) cabinet lock bodies (See 720LM/DM or 721DR/DW).



720-PL3
Anti-rotation plate



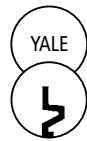
For MEDECO style large format interchangeable core cylinders

Item	Finish	Cyl. Diameter	Mat. Thickness	Description
ME93LM/DM	26D	1-1/8"	Up to 1-1/8"	Lock body - For Medeco Large Format IC

► YA93 Cam Lock



720-PL3
Anti-rotation plate



For YALE style 6-pin large format interchangeable core cylinders

Item	Finish	Cyl. Diameter	Mat. Thickness	Description
YA93LM/DM	26D	1-1/8"	Up to 1-1/8"	Lock body - For Yale Large Format IC

SPECIFICATIONS

Cylinder diameter: 1-1/8"
 Across flats: 7/8"
 ME93 Max. material thickness: 1-1/4"
 YA93 Max. material thickness: 1-5/16"
 Min. material thickness: 0.08"
 Functions: Includes parts for key-retaining or non-key-retaining function
 Body: Zinc die cast
 Finish: 26D
 Packaged: 10 per box

ME93 CYLINDER INFORMATION

Cores: Not included.
 Medeco cylinder: Accepts Medeco #32-0201 (6-pin) IC cylinder.
 Special note: Medeco "Keymark" cylinders require Best compatible (small format) cabinet lock bodies.

YA93 CYLINDER INFORMATION

Cores: Not included.
 Yale cylinder: Accepts Yale 1210 Series (6-pin) IC cylinder.
 Assa cylinder: Accepts ASSA's 6-pin, Yale-compatible large format IC cylinder.

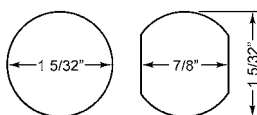
INCLUDED ACCESSORIES

931-PA plastic thumbturn
 720-PL3 anti-rotation plate
 720-3-1 short inverted cam
 720-3-2 long vertical cam
 720-CDLM lost motion cam shifter
 720-CDDM key retaining door cam shifter
 720-KR key retaining drawer cam shifter

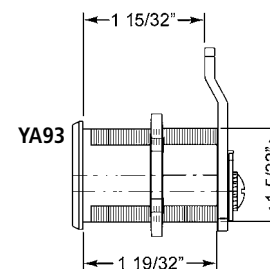
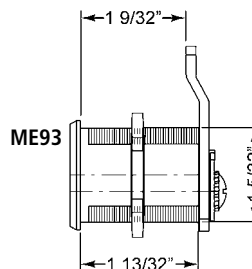
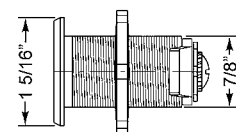
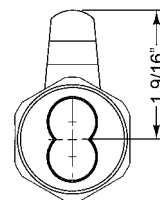
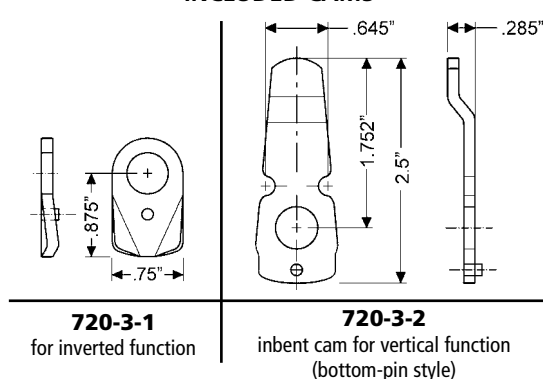
OPTIONAL ACCESSORIES

See accessories on page 69. See page 70 for cam assembly instructions.
 Optional cams: 7-3-2, 7-3-3, 7-3-4, 7-3-5
 Trim collars: TR200 Series
 Switch accessory pack: SW-1
 CL-MP-118: Double-D metal punch (page 57)

MOUNTING CUTOUT



INCLUDED CAMS



► B7 Cam Lock



BEST Keyway
(non-SFIC)



Locks in all eight positions with 2 reversible cams.

AVAILABLE KEYWAYS

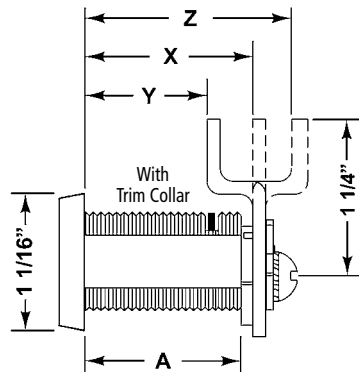
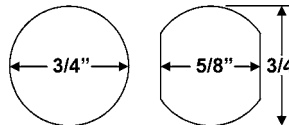
A	B	E	F	G
J	K	L	R	

Woodwork Institute
(WI) acknowledged
product

Item	Keyway	Finish	Cyl. Length*	Keying
B7	See chart	26D	1-3/16"	O-Bit or Custom Keyed

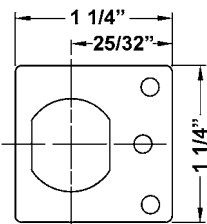
*Cyl. Length: As measured with straight cam.

MOUNTING CUTOUT

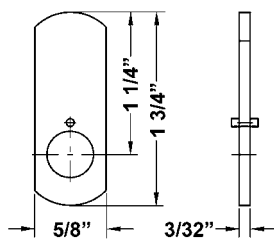


With Trim Collar	
For Mat. Thickness	7/8"
Straight Cam (X)	1-3/16"
Inbent Cam (Y)	7/8"
Outbent Cam (Z)	1-1/2"
Cylinder Length (A)	1-1/8"

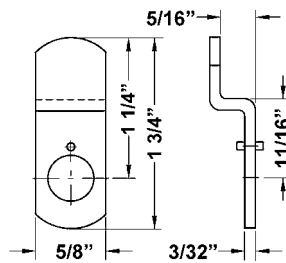
INCLUDED PARTS



DCNP-500-ARP
anti-rotation plate



DCNP-100-SC
straight cam



DCNP-100-BC
offset reversible cam

SPECIFICATIONS

Rekeyable: Patented cylinder retainer clip

US Patent Nos: 5,038,589; 5,737,950

Retrofits: Best 5E

Usage: Commonly used as locking device on medical carts (see also our 724VR medical cart/file cabinet lock for use on medical carts)

Body: Zinc die cast

Cylinder: Zinc die cast pin tumbler, drilled for 7 pins

Standard function: Key removable in locked or unlocked position.

Key retaining function: Alternate key-retaining shifters (page 61) are available separately for key removable in locked position only.

Cams: 2 reversible cams work in all positions

Finish: 26D

Packaged: Packed 10 per box

KEYING INFORMATION

Keyways: A,B,E,F,G,J,K,L,R

Keys: Includes 2 keys per lock

Stock keying: O-Bit

Keying: Custom and/or masterkeying available. Specify at time of order.

Rekeying: Use special pin spring p/n S-SPRING.

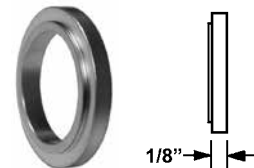
INCLUDED ACCESSORIES

Trim collar and parts in chart below.

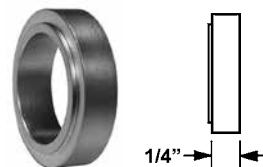
OPTIONAL ACCESSORIES

See pages 60-61 for a complete list of optional cam sizes and other accessories for use with B7 Series cam locks.

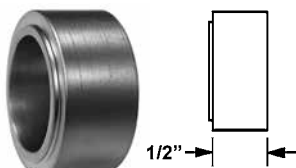
TRB7 SPACER COLLARS AVAILABLE SEPARATELY



TRB7-18-26D
Spacer collar, 1/8"



TRB7-14-26D
Spacer collar, 1/4"



TRB7-12-26D
Spacer collar, 1/2"

Interchangeable Core

Best Compatible (Small Format)

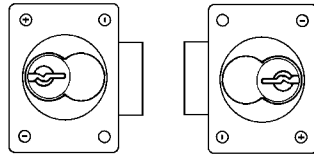
► L72V Latch Lock



For BEST style interchangeable core cylinders



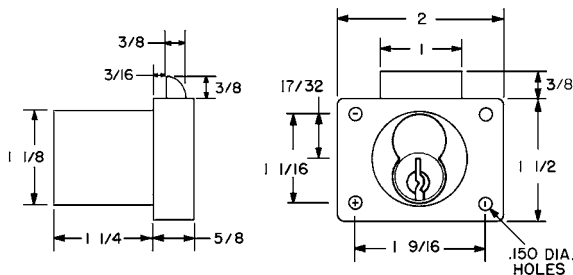
For door applications, place lock on side.



Left-Hand Door

Right-Hand Door

Item	Handing	Finish	Cyl. length	Keying
L72V	VH Drawer	26D, US3	1-1/4"	Lock body - For small format IC
L72V-SP1	VH Drawer	26D, US3	1-1/4"	Lock body - For Sargent XC or Marks high security cores with side pins. Includes short pin prong driver no. L72V-PD-SP1.



SPECIFICATIONS

Function: Spring latch
Body: Zinc die cast
Barrel diameter: 1-1/8"
Cylinder length: 1-1/4"
Latch projection: 3/8"
Finish: 26D or US3
Packaged: Packed 10 per box

KEYING INFORMATION

Cores: Not included
Accepts: Best, Arrow, Falcon, KSP, Schlage SFIC or equivalent small format interchangeable cores
Compatible electronic cylinders: Medeco Nexgen XT or VIDEX CyberLock SFIC cylinders

INCLUDED ACCESSORIES

10-350 spacers (qty 3)
 L78ST-1-SS matching lip strike
 725-1 spacer to fit 6 or 7 pin cores
 725-PA plastic thumbturn

OPTIONAL ACCESSORIES

See the accessories section of this catalog for a complete list.

Prong drivers: Shortened prong driver for use with Sargent XC or Marks high security cores with side pins. Specify L72V-PD-SP1 (for prong driver only).

Spacers: 10-350 (1/8" thick), 10-348 (1/4" thick), 10-349 (1/2" thick)

Trim ring: TR78

Through-bolt hardware: ETS1 trim plate, ETS1-PL trim pull and ETST1 template

SFIC cores: 206/207 Series (page 53)

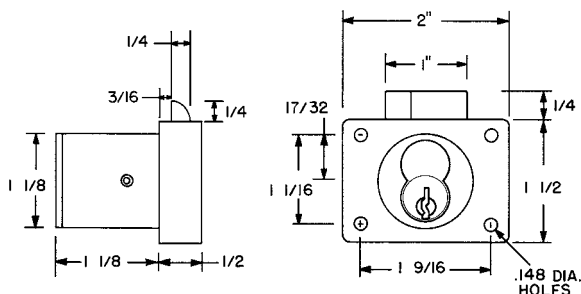
► 950 Deadlatching Lock



For BEST style interchangeable core cylinders



Item	Handing	Finish	Cyl. length	Description
950IC	VH Drawer	26D, US3	1-1/8"	Lock body - For small format IC



SPECIFICATIONS

Function: Deadlocking latch
U.S. Patent No: 4,899,563; 4,922,774; 5,657,652
Body: Zinc die cast
Cylinder length: 1-1/8"
Barrel diameter: 1-1/8"
Latch projection: 1/4"
Finish: 26D or US3
Packaged: Packed 10 per box

KEYING INFORMATION

Cores: Not included.
Accepts: Best, Arrow, Falcon, KSP, Schlage SFIC or equivalent small format interchangeable cores
Compatible electronic cylinders: Medeco Nexgen XT or VIDEX CyberLock SFIC cylinders

INCLUDED ACCESSORIES

10-350 spacers (qty 2)
 725-1 spacer to fit 6 or 7 pin cores
 850-210 matching strike
 725-PA plastic thumbturn

OPTIONAL ACCESSORIES

See the accessories section of this catalog for a complete list.

Spacers: 10-350 (1/8" thick), 10-348 (1/4" thick), 10-349 (1/2" thick)

Trim ring: TR78

Through-bolt hardware: ETS1 trim plate, ETS1-PL trim pull and ETST1 template

SFIC cores: 206/207 Series (page 53)

Interchangeable Core

Best Compatible (Small Format)

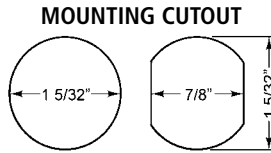
► 720 Cam Lock



For BEST style interchangeable core cylinders



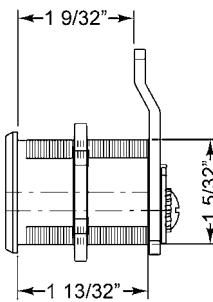
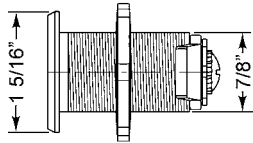
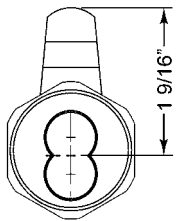
720-PL3
Anti-rotation plate



ANSI/BHMA
A156.11 Grade 1
E07261/E07271

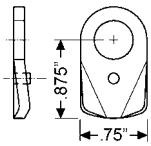
Woodwork Institute
(WI) acknowledged
product

Item	Finish	Body	Cyl. Diameter	Mat. Thickness	Description
720LM/DM	26D, US26, US3	Zinc die cast	1-1/8"	Up to 1-1/8"	Lock body - For small format IC
720B	26D	Machined solid brass	1-1/8"	Up to 1-1/8"	

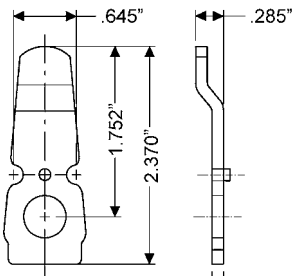


INCLUDED CAMS

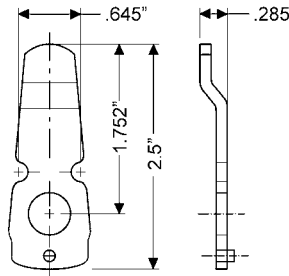
May include either 720-3-2 (mid-pin style) OR 720-3-2 (bottom-pin style)



720-3-1
for inverted function



720-3-2
inbent cam for vertical function
(mid-pin style)



720-3-2
inbent cam for vertical function
(bottom-pin style)

SPECIFICATIONS

Retrofits: Best 1E7E4

ANSI/BHMA: Passed ANSI/BHMA A156.11 Grade 1 performance requirements. Equivalent to E07261/E07271.

Cylinder diameter: 1-1/8"

Across flats: 7/8"

Max. material thickness: 1-1/8"

Min. material thickness: 0.08"

Functions: Includes parts for key-retaining or non-key-retaining function

Body: Zinc die cast or machined solid brass

Finish: 26D, US26 or US3

Packaged: Packed 10 per box

KEYING INFORMATION

Cores: Not included.

Accepts: Best, Arrow, Falcon, KSP, Schlage SFIC or equivalent small format interchangeable cores

Compatible electronic cylinders: Medeco Nexgen XT or VIDEX CyberLock SFIC cylinders

INCLUDES

725-PA plastic thumbturn

720-PL3 stabilizer plate

725-1 spacer to fit 6 or 7 pin cores

720-3-1 short inverted cam

720-3-2 long vertical cam

720-CDLM lost motion cam shifter

720-CDDM key retaining door cam shifter

720-KR key retaining drawer cam shifter

OPTIONAL ACCESSORIES

See accessories on page 69. See page 70 for cam assembly instructions.

Optional cams: 7-3-2, 7-3-3, 7-3-4, 7-3-5

Trim collars: TR200 Series

Switch accessory pack: SW-1

CL-MP-118: Double-D metal punch (page 57)

SFIC cores: 206/207 Series (page 53)

Interchangeable Core

Best Compatible (Small Format)

► 720B-DM Medical Cart Direct Drive Cam Lock



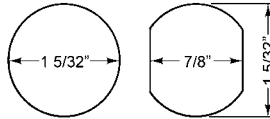
See also page 46:
724VR Medical Cart/
File Cabinet lock



For BEST style interchangeable core cylinders



MOUNTING CUTOUT



TR201
1/8"

TR202
1/4"

Item	Finish	Body	Cyl. Diameter	Mat. Thickness	Description
720B-DM	26D	Machined solid brass	1-1/8"	Up to 1-1/8"	Lock body - For small format IC

SPECIFICATIONS

Retrofits: Best 1E7D4
Cams: Will work with Best original cams
Cylinder diameter: 1-1/8"
Across flats: 7/8"
Max. material thickness: 1-1/8"
Min. material thickness: 0.08"
Functions: Direct drive screw on cam mechanism
Body: Solid machined brass
Finish: 26D
Packaged: Packed 10 per box

KEYING INFORMATION

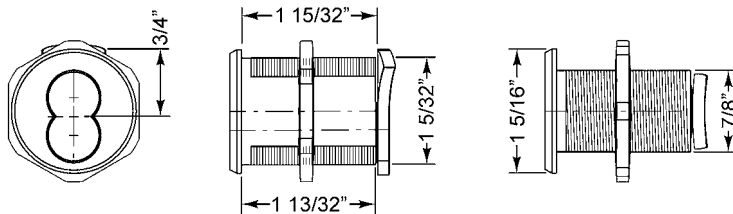
Cores: Not included.
Accepts: Best, Arrow, Falcon, KSP, Schlage SFIC or equivalent small format interchangeable cores
Compatible electronic cylinders: Medeco Nexgen XT or VIDEX CyberLock SFIC cylinders

INCLUDED ACCESSORIES

725-PA plastic thumbturn
720-3-D1 short direct drive cam
TR201 spacer collar, 1/8"
TR202 spacer collar, 1/4"
725-1 spacer for 6 pin cores

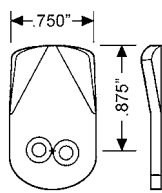
OPTIONAL ACCESSORIES

Cam: 720-3-SC1
Trim collars: TR200 Series (page 69)
CL-MP-118: Double-D metal punch (page 57)
SFIC cores: 206/207 Series (page 53)

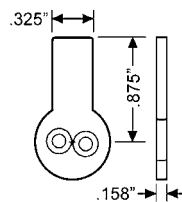


INCLUDED CAM

OPTIONAL CAM



720-3-D1
short cam



720-3-SC1
switch cam

Interchangeable Core

Best Compatible (Small Format)

► 721DR Deadbolt Lock

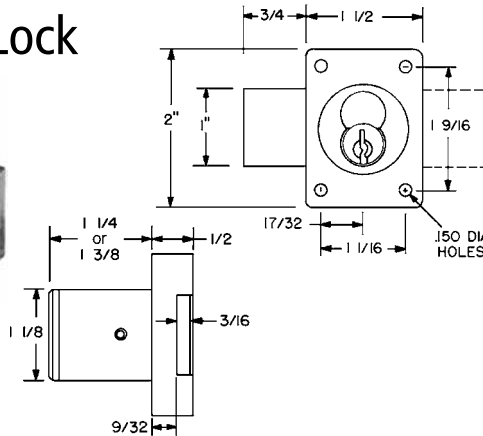


For BEST style interchangeable core cylinders



ANSI/BHMA
A156.11 Grade 1
E07121

Woodwork Institute
(WI) acknowledged
product



KEY REMOVABLE LOCKED OR UNLOCKED POSITION

Item	Function	Finish	Cyl. Length	Description
721DR	Door	26D, US26, US3, 10B	1-1/4"	Lock body - For small format IC
721DR-SP1	Door	26D, US26, US3, 10B	1-1/4"	Lock body - For Sargent XC or Marks high security cores. Includes short pin prong driver 721DR-11-SP1
721DR-138	Door	26D	1-3/8"	Lock body - For small format IC

KEY RETAINING (KEY REMOVABLE LOCKED POSITION ONLY)

Item	Function	Finish	Cyl. Length	Description
721DR-KR	Door-KR	26D, US26, US3, 10B	1-1/4"	Lock body - For small format IC
721DR-KR138	Door-KR	26D	1-3/8"	

Key-retaining: Cycle to "locked" position before inserting core.

► 721DW Drawer Lock

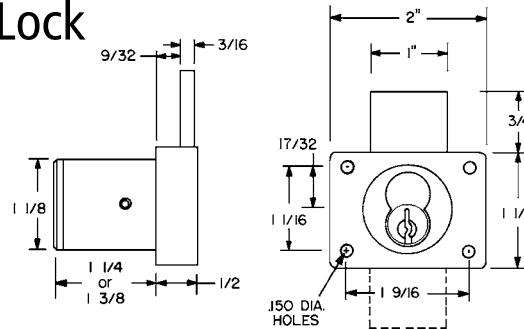


For BEST style interchangeable core cylinders



ANSI/BHMA
A156.11 Grade 1
E07041

Woodwork Institute
(WI) acknowledged
product



KEY REMOVABLE LOCKED OR UNLOCKED POSITION

Item	Function	Finish	Cyl. Length	Description
721DW	Drawer	26D, US26, US3, 10B	1-1/4"	Lock body - For small format IC
721DW-SP1	Drawer	26D, US26, US3, 10B	1-1/4"	Lock body - For Sargent XC or Marks high security cores. Includes short pin prong driver 721DW-11-SP1
721DW-138	Drawer	26D	1-3/8"	Lock body - For small format IC

KEY RETAINING (KEY REMOVABLE LOCKED POSITION ONLY)

Item	Function	Finish	Cyl. Length	Description
721DW-KR	Drawer-KR	26D, US26, US3, 10B	1-1/4"	Lock body - For small format IC
721DW-KR138	Drawer-KR	26D	1-3/8"	

Key-retaining: Cycle to "locked" position before inserting core.

SPECIFICATIONS

Retrofits: Best 3L

Reversible: Field reversible between door and drawer functions

ANSI/BHMA: Passed ANSI/BHMA A156.11 Grade 1 performance requirements. Equivalent to E07121 (721DR) / E07041 (721DW)

Standard function: Key removable in locked and unlocked position.

Key-retaining function: Key removable in locked position only. Specify -KR for key-retaining.

US Patent Nos: 4,899,563; 4,920,774

Barrel diameter: 1-1/8"

Cylinder length: 1-1/4" or 1-3/8"

Body: Zinc die cast

Finish: US26, 26D, US3 or US10B

Packaged: Packed 10 per box

KEYING INFORMATION

Cores: Not included

Accepts: Best, Arrow, Falcon, KSP, Schlage SFIC or equivalent small format interchangeable cores

Compatible electronic cylinders: Medeco Nexgen XT or VIDEX CyberLock SFIC cylinders

INCLUDED ACCESSORIES

For 1-1/4" barrel length locks:

- 725-1 spacer to fit 6 or 7 pin cores
- 725-PA plastic thumbturn
- 10-350 (qty 3) plastic spacers
- 10-054 1/4" plastic bar strike
- 10-057 .65" plastic bar strike

For 1-3/8" barrel length locks:

- 725-1 spacer to fit 6 or 7 pin cores
- 725-PA plastic thumbturn
- 10-054 1/4" plastic bar strike

OPTIONAL ACCESSORIES

See the accessories section of this catalog for a complete list.

Spacers: 10-350 (1/8" thick), 10-348 (1/4" thick), 10-349 (1/2" thick)

Strikes: 10-052, 10-055, 10-056, 10-058, 12-2, 12-4

Trim ring: TR78

Through-bolt hardware: ETS1 trim plate, ETS1-PL trim pull and ETST1 template

SFIC cores: 206/207 Series (page 53)

Interchangeable Core

Best Compatible (Small Format)

► 722S Plunger Lock



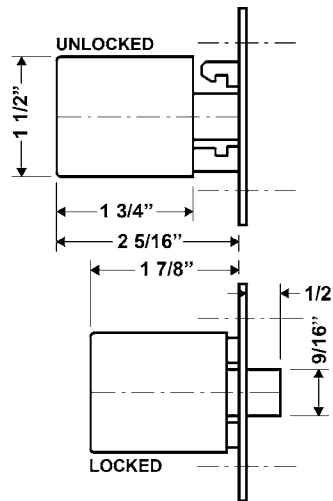
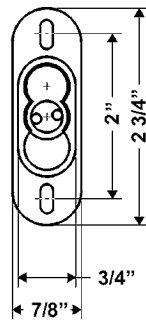
For BEST style interchangeable core cylinders



722S



722S-TBM
Through-bolt mount



Item	Function	Finish	Description
722S	Standard	26D	Lock body - For small format IC
722S-KR	Key-retaining	26D	
722S-TBM	Standard	26D	Lock body - For small format IC (includes through-bolt mounting hardware)
722S-TBM-KR	Key-retaining	26D	

SPECIFICATIONS

Retrofits: Best 2S, 2S-TBM

Standard function: Key removable in locked and unlocked position.

Key-retaining function: Key removable in locked position only. Specify **-KR** for key-retaining.

TBM function: Specify TBM for "through-bolt mounting"

Body: Solid brass

Barrel length: 1-3/4"

Bolt throw: 1/2"

Max. door thickness: 1-7/8"

Min. door thickness (TBM): 5/8"

Finish: 26D

Packaged: Packed 10 per box

KEYING INFORMATION

Cores: Not included

Accepts: Best, Arrow, Falcon, KSP, Schlage SFIC or equivalent small format interchangeable cores

Compatible electronic cylinders: Medeco Nexgen XT or VIDEX CyberLock SFIC cylinders

INCLUDED ACCESSORIES

725-1 spacer to fit 6 or 7 pin cores

Matching strike

725-PA plastic thumbturn

TBM locks include through-bolt plates and screws

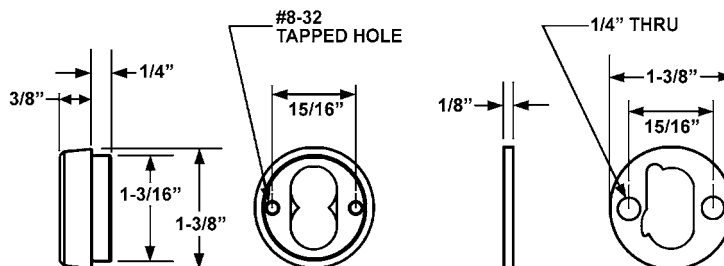
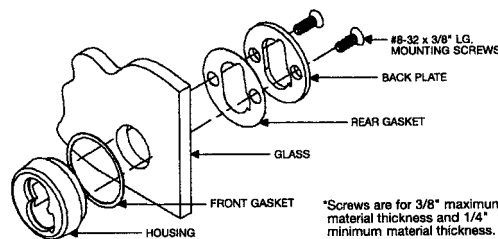
OPTIONAL ACCESSORIES

SFIC cores: 206/207 Series (page 53)

► 723S Sliding Door Cylinder Housing



For BEST style interchangeable core cylinders



FOR BYPASSING SLIDING GLASS DOORS

Item	Finish	Size	Type	Description
723S	26D, US26	Adjustable	Sliding door cylinder housing	Lock body - For small format IC
Note:	Requires use of 207S series SFIC core (page 53)			

SPECIFICATIONS

Retrofits: Best 4S

Function: For use on bypassing sliding doors. Core acts as stop for interior sliding door.

Material: Zinc die cast

Finish: 26D or US26

INCLUDED ACCESSORIES

Screws: Includes 3 sizes of screws (7/16", 3/4" and 1") to adapt lock for use on varying material thicknesses

KEYING INFORMATION

Core: Not included, requires special core

Accepts: Best (6C or 6CP), Arrow, Falcon, KSP, Schlage SFIC or equivalent small format interchangeable cores

OPTIONAL ACCESSORIES

SFIC cores: 207S Series (page 53)

207S Series SFIC cores



The Olympus 723S requires use of 207S series SFIC cores (page 53)

Interchangeable Core

Best Compatible (Small Format)

► 724VR Medical Cart File Cabinet Lock

See also page 43:
720B-DM Medical Cart/
Direct Drive Cam Lock

SPECIFICATIONS

Retrofits: Best 2P73

Use: Commonly used as locking device on medical carts (see also our B7 cam lock which is also commonly used on medical carts)

Open indicator: Includes red "caution" flag when unlocked.

Mounting slot: Vertical

Bolt type: Round spring bolt

Material: Zinc die cast

Finish: 26D

Packaged: Packed 10 per box

KEYING INFORMATION

Cores: Not included

Accepts: Best, Arrow, Falcon, KSP, Schlage SFIC or equivalent small format interchangeable cores

Compatible electronic cylinders: Medeco Nexgen XT or VIDEX CyberLock SFIC cylinders

INCLUDED ACCESSORIES

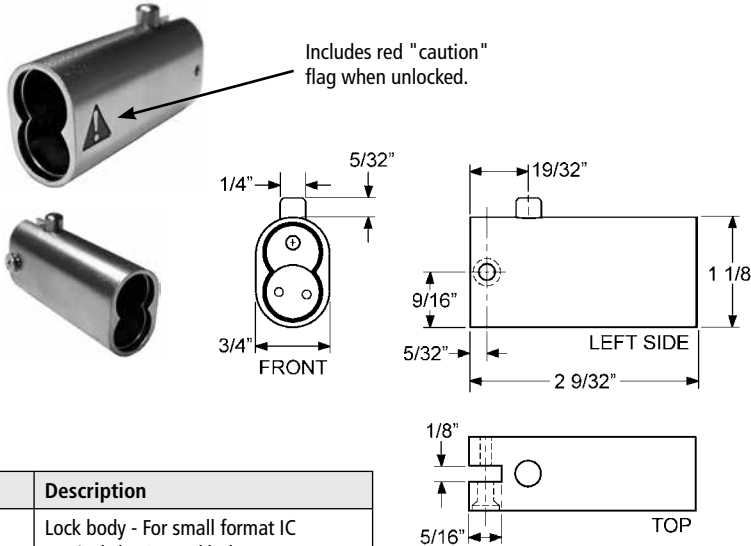
725-1 spacer to fit 6 or 7 pin cores

725-PA plastic thumbturn

OPTIONAL ACCESSORIES

SFIC cores: 206/207 Series (page 53)

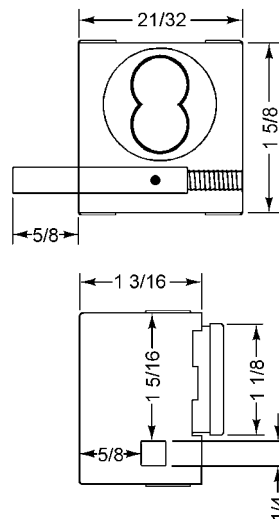

For BEST style interchangeable core cylinders



Item	Finish	Description
724VR	26D	Lock body - For small format IC Vertical slot / round bolt
Note: Includes red "caution" flag when unlocked.		

► 728MBL Mail Box Lock


For BEST style interchangeable core cylinders



Item	Finish	Size	Description
728MBL	26D	Adjustable	Lock body - For small format IC

SPECIFICATIONS

Retrofits: Best 8L

Handing: RH standard

Installation: Fits most common metal mail box door designs

Material: Zinc die cast cylinder housing, steel body

Size: Adjustable

Finish: 26D

Packaged: Packed 10 per box

KEYING INFORMATION

Cores: Not included

Accepts: Best, Arrow, Falcon, KSP, Schlage SFIC or equivalent small format interchangeable cores

Compatible electronic cylinders: Medeco Nexgen XT or VIDEX CyberLock SFIC cylinders

OPTIONAL ACCESSORIES

SFIC cores: 206/207 Series (page 53)

Interchangeable Core

Best Compatible (Small Format)

► 725RL Rim Latch



For BEST style interchangeable core cylinders

Surface Mounted



725RL
725RL-DW-VH



725RL-DR-LH



725RL-DW-IH



725RL-DR-RH

SPECIFICATIONS

Retrofits: Best 5L7RL

Mounting: Rim (surface)

ANSI/BHMA: Passed ANSI/BHMA A156.11 Grade 1 performance requirements

Material: Zinc die cast cylinder housing, steel back plate and steel case

Cylinder length: 1-1/16" or 1-3/8"

Barrel diameter: 1-1/8"

Latch projection: 1/4"

Reverse latch: Available for DW-VH or DW-IH functions - use reverse latch for in-swinging door applications.

Finish: US26, 26D, US3, US4 or 10B (1-3/8" barrel length locks available in 26D finish only)

Packaged: Packed 10 per box

KEYING INFORMATION

Cores: Not included.

Accepts: Best, Arrow, Falcon, KSP, Schlage SFIC or equivalent small format interchangeable cores

Compatible electronic cylinders: Medeco Nexgen XT or VIDEX CyberLock SFIC cylinders

INCLUDED ACCESSORIES

725-1 spacer to fit 6 or 7 pin cores

725-SP-RL solid lipped strike

725-PA plastic thumbturn

OPTIONAL ACCESSORIES

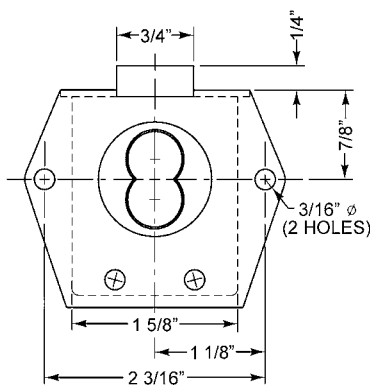
See the accessories section of this catalog for a complete list.

Spacers: WP725 (1/8" thick), WP726 (1/4" thick)

Strikes: 725-SP Series

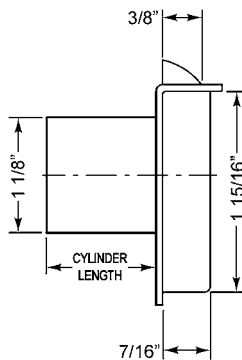
SFIC cores: 206/207 Series (page 53)

Item	Function	Finish	Cyl. Length	Description
725RL-DR-RH	RH Door	26D, US26, US3, US4, 10B	1-1/16"	Lock body - For small format IC
725RL3DR-RH	RH Door	26D	1-3/8"	
725RL-DR-LH	LH Door	26D, US26, US3, US4, 10B	1-1/16"	
725RL3DR-LH	LH Door	26D	1-3/8"	
725RL-DW-VH	VH Drawer	26D, US26, US3, US4, 10B	1-1/16"	
725RL3DWWH	VH Drawer	26D	1-3/8"	
725RL-DW-IH	IH Drawer	26D, US26, US3, US4, 10B	1-1/16"	
725RL3DW-IH	IH Drawer	26D	1-3/8"	
Below locks are with Reverse Latch for "in-swinging" doors				
725RL-DWRVH	VH Drawer	26D, US26, US3, US4, 10B	1-1/16"	Lock body - For small format IC
725RL3DWRVH	VH Drawer	26D	1-3/8"	
725RL-DWRIH	IH Drawer	26D, US26, US3, US4, 10B	1-1/16"	
725RL3DWRIH	IH Drawer	26D	1-3/8"	



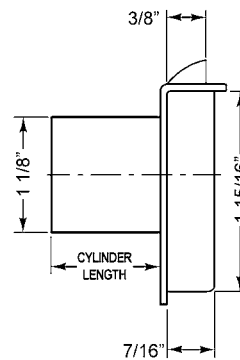
725RL

Dimensions are the same for all handings.



725RL

(Rim Latch)
Standard configuration



725RL-DWR

(Rim Latch with Reverse Latch Option)
For "in-swinging" doors

Interchangeable Core

Best Compatible (Small Format)

► 725RD Rim Deadbolt

SPECIFICATIONS

Retrofits: Best 5L7RD
Mounting: Rim (surface)
ANSI/BHMA: Passed ANSI/BHMA A156.11 Grade 1 performance requirements
Material: Zinc die cast cylinder housing, steel back plate and steel case
Cylinder length: 1-1/16" or 1-3/8"
Barrel diameter: 1-1/8"
Key-retaining: Available for DW-VH applications
Finish: US26, 26D, US3, US4 or 10B (1-3/8" barrel length locks available in 26D finish only)
Packaged: Packed 10 per box

KEYING INFORMATION:

Cores: Not included.
Accepts: Best, Arrow, Falcon, KSP, Schlage SFIC or equivalent small format interchangeable cores
Compatible electronic cylinders: Medeco Nexgen XT or VIDEX CyberLock SFIC cylinders

INCLUDED ACCESSORIES

725-1 spacer to fit 6 or 7 pin cores
 725-SP-RD solid rectangular strike
 725-PA plastic thumbturn

OPTIONAL ACCESSORIES

See the accessories section of this catalog for a complete list.
Spacers: WP725 (1/8" thick), WP726 (1/4" thick)
Strikes: 725-SP Series
SFIC cores: 206/207 Series (page 53)

Surface Mounted



For BEST style interchangeable core cylinders



725RD
725RD-DW-VH



725RD-DR-RH

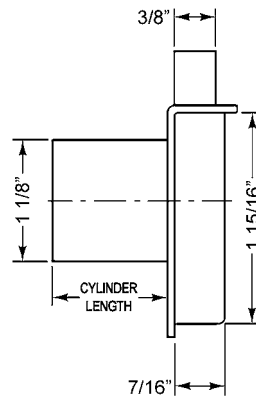
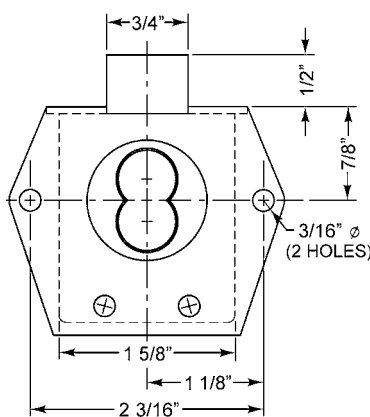


725RD-DW-IH



725RD-DR-LH

Item	Function	Finish	Cyl. Length	Description
725RD-DR-RH	RH Door	26D, US26, US3, US4, 10B	1-1/16"	Lock body - For small format IC
725RD3DR-RH	RH Door	26D	1-3/8"	
725RD-DR-LH	LH Door	26D, US26, US3, US4, 10B	1-1/16"	
725RD3DR-LH	LH Door	26D	1-3/8"	
725RD-DW-VH	VH Drawer	26D, US26, US3, US4, 10B	1-1/16"	
725RD3DWWH	VH Drawer	26D	1-3/8"	
725RD-DW-IH	IH Drawer	26D, US26, US3, US4, 10B	1-1/16"	
725RD3DW-IH	IH Drawer	26D	1-3/8"	
Below locks are with "key-retaining" function (key removable in locked position only)				
725RD-DWKVH	VH Drawer	26D, US26, US3, US4, 10B	1-1/16"	Lock body - For small format IC
725RD3DWKVH	VH Drawer	26D	1-3/8"	



725RD

(Rim Deadbolt) Standard configuration.
 Dimensions are the same for all handings.

► 725MD Mortise Deadbolt



For BEST style interchangeable core cylinders

Mortise Mounted



725MD
725MD-DW-VH



725MD-DR-RH



725MD-DW-IH



725MD-DR-LH

SPECIFICATIONS

Retrofits: Best 5L7MD
Mounting: Mortise
ANSI/BHMA: Passed ANSI/BHMA A156.11 Grade 1 performance requirements
Material: Zinc die cast cylinder housing, steel back plate and steel case
Cylinder length: 1-1/16" or 1-3/8"
Barrel diameter: 1-1/8"
Key-retaining: Available for DW-VH applications
Finish: US26, 26D, US3, US4 or 10B (1-3/8" barrel length locks available in 26D finish only)
Packaged: Packed 10 per box

KEYING INFORMATION

Cores: Not included
Accepts: Best, Arrow, Falcon, KSP, Schlage SFIC or equivalent small format interchangeable cores
Compatible electronic cylinders: Medeco Nexgen XT or VIDEX CyberLock SFIC cylinders

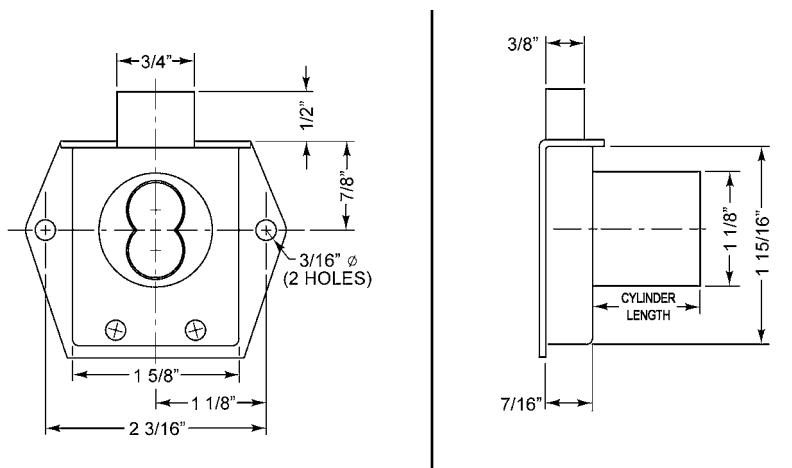
INCLUDED ACCESSORIES

725-1 spacer to fit 6 or 7 pin cores
 725-SP-MD slotted rectangular strike
 725-PA plastic thumbturn

OPTIONAL ACCESSORIES

See the accessories section of this catalog for a complete list.
Spacers: WP725 (1/8" thick), WP726 (1/4" thick)
Strikes: 725-SP Series
SFIC cores: 206/207 Series (page 53)

Item	Function	Finish	Cyl. Length	Description
725MD-DR-RH	RH Door	26D, US26, US3, US4, 10B	1-1/16"	Lock body - For small format IC
725MD3DR-RH	RH Door	26D	1-3/8"	
725MD-DR-LH	LH Door	26D, US26, US3, US4, 10B	1-1/16"	
725MD3DR-LH	LH Door	26D	1-3/8"	
725MD-DW-VH	VH Drawer	26D, US26, US3, US4, 10B	1-1/16"	
725MD3DW-VH	VH Drawer	26D	1-3/8"	
725MD-DW-IH	IH Drawer	26D, US26, US3, US4, 10B	1-1/16"	
725MD3DW-IH	IH Drawer	26D	1-3/8"	
Below locks are "key-retaining" (key removable in locked position only)				
725MD-DWKVH	VH Drawer	26D, US26, US3, US4, 10B	1-1/16"	Lock body - For small format IC
725MD3DWKVH	VH Drawer	26D	1-3/8"	



725MD

(Mortise Deadbolt) Standard configuration.
 Dimensions are the same for all handings.

► 725ML Mortise Latch



For BEST style interchangeable core cylinders

Mortise Mounted



725ML
725ML-DW-VH



725ML-DR-LH



725ML-DW-IH



725ML-DR-RH

SPECIFICATIONS

Retrofits: Best 5L7ML

Mounting: Mortise

ANSI/BHMA: Passed ANSI/BHMA A156.11 Grade 1 performance requirements

Material: Zinc die cast cylinder housing, steel back plate and steel case

Cylinder length: 1-1/16" or 1-3/8"

Barrel diameter: 1-1/8"

Reverse latch: Available for DW-VH or DW-IH functions (use reverse latch for in-swinging door applications)

Finish: US26, 26D, US3, US4 or 10B (1-3/8" barrel length locks available in 26D finish only)

Packaged: Packed 10 per box

KEYING INFORMATION

Cores: Not included.

Accepts: Best, Arrow, Falcon, KSP, Schlage SFIC or equivalent small format interchangeable cores

Compatible electronic cylinders: Medeco Nexgen XT or VIDEX CyberLock SFIC cylinders

INCLUDED ACCESSORIES

725-1 spacer to fit 6 or 7 pin cores

725-SP-ML slotted lipped strike

725-PA plastic thumbturn

OPTIONAL ACCESSORIES

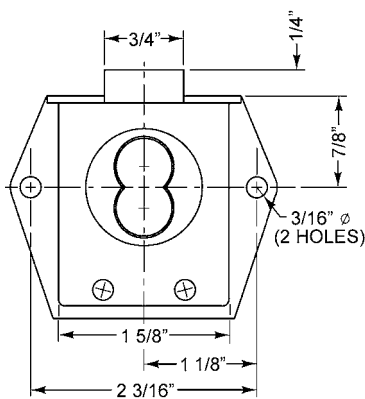
See the accessories section of this catalog for a complete list.

Spacers: WP725 (1/8" thick), WP726 (1/4" thick)

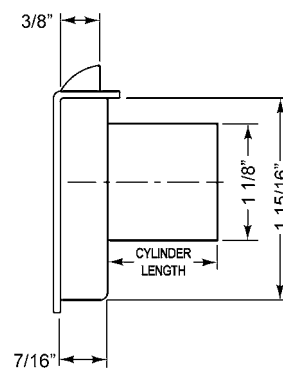
Strikes: 725-SP Series

SFIC cores: 206/207 Series (page 53)

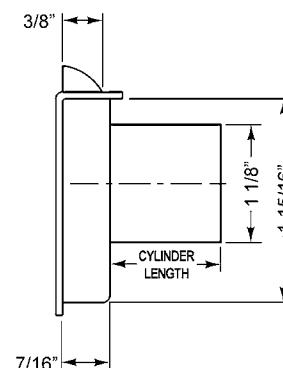
Item	Function	Finish	Cyl. Length	Description	
725ML-DR-RH	RH Door	26D, US26, US3, US4, 10B	1-1/16"	Lock body - For small format IC	
725ML3DR-RH	RH Door	26D	1-3/8"		
725ML-DR-LH	LH Door	26D, US26, US3, US4, 10B	1-1/16"		
725ML3DR-LH	LH Door	26D	1-3/8"		
725ML-DW-VH	VH Drawer	26D, US26, US3, US4, 10B	1-1/16"		
725ML3DW-VH	VH Drawer	26D	1-3/8"		
725ML-DW-IH	IH Drawer	26D, US26, US3, US4, 10B	1-1/16"		
725ML3DW-IH	IH Drawer	26D	1-3/8"		
Below locks are with Reverse Latch for "in-swinging" doors					
725ML-DWRVH	VH Drawer	26D, US26, US3, US4, 10B	1-1/16"		Lock body - For small format IC
725M3DWRVH	VH Drawer	26D	1-3/8"		
725ML-DWRIH	IH Drawer	26D, US26, US3, US4, 10B	1-1/16"		
725ML3DWRIH	IH Drawer	26D	1-3/8"		



725ML
Dimensions are the same for all handings.



725ML
Mortise Latch
Standard configuration



725ML-DWR
Mortise Latch with "Reverse Latch"
option for "in-swinging" doors

► 725RSL Enclosure Lock For NEMA Metal Traffic Control Boxes



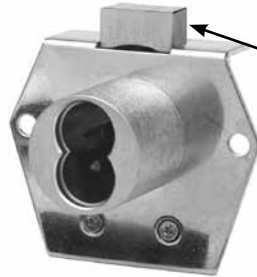
For BEST style interchangeable core cylinders



725RSL-LH



725RSL-RH



725RSL-VH
SQUARE SPRING LATCH

SPECIAL NOTE: This is a spring loaded square latch for metal enclosures only. For standard deadbolt function (used in wood casework), see 725RD or 725MD series locks.

IMPORTANT NOTE

For standard deadbolt function see **725RD** or **725MD**
For standard spring latch function see **725RL** or **725ML**

Item	Function	Finish	Cyl. Length	Description
725RSL-RH	RH Door	26D, US4	1-1/16"	Lock body - For small format IC Specialized spring bolt function for metal cabinet enclosures.
725RSL-LH	LH Door	26D, US4	1-1/16"	
725RSL-VH	VH Drawer	26D, US4	1-1/16"	

Note: Solid brass cylinder housing available in 26D and US4 finishes only.

SPECIFICATIONS

Retrofits: Best 5L7RD (with option code "SL" square latch, spring loaded)

Mounting: Rim (surface)

Square latch (725RSL): Available for VH, RH or LH functions

Material: Solid brass cylinder housing, steel back plate and steel case

Cylinder length: 1-1/16"

Barrel diameter: 1-1/8"

Finish: 26D or US4

Packaged: Packed 10 per box

KEYING INFORMATION

Cores: Not included. We can match painted BEST cores (blue, red, green, white or orange).

Accepts: Best, Arrow, Falcon, KSP, Schlage SFIC or equivalent small format interchangeable cores

Compatible electronic cylinders: Medeco Nexgen XT or VIDEX CyberLock SFIC cylinders

INCLUDED ACCESSORIES

725-1 spacer to fit 6 or 7 pin cores

725-SP-RL solid lipped strike

725-PA plastic thumbturn

OPTIONAL ACCESSORIES

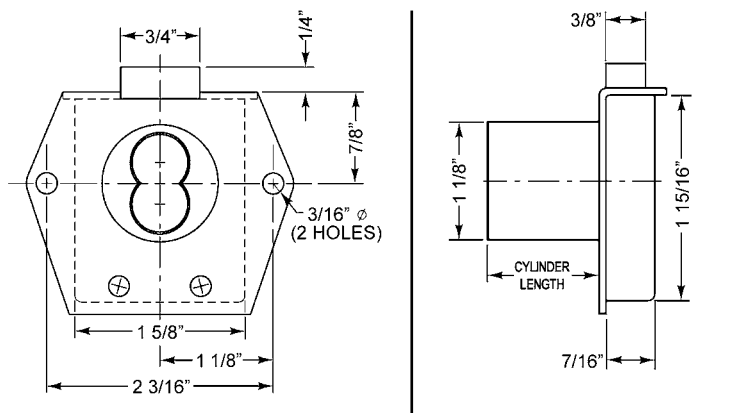
See the accessories section of this catalog for a complete list.

Spacers: WP725 (1/8" thick), WP726 (1/4" thick)

Strikes: 725-SP Series

SFIC cores: 206/207 Series (page 53)

ENCLOSURE LOCK (SQUARE-STYLE, SPRING BOLT)

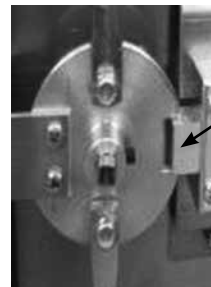


725RSL

(Square Latch) Standard configuration.
Dimensions are the same for all handings.

FOR METAL CABINETS/ENCLOSURES

Locking mechanism (inside of cabinet)



To open cabinet, bolt retracts allowing handle on outside to rotate disk, disengaging top and bottom latching mechanisms. When handle and disk are moved back into the closed position, bolt springs back into slot in disk and the cabinet is locked.

Interchangeable Core

Best Compatible (Small Format)

► 729R Showcase/Ratchet Lock



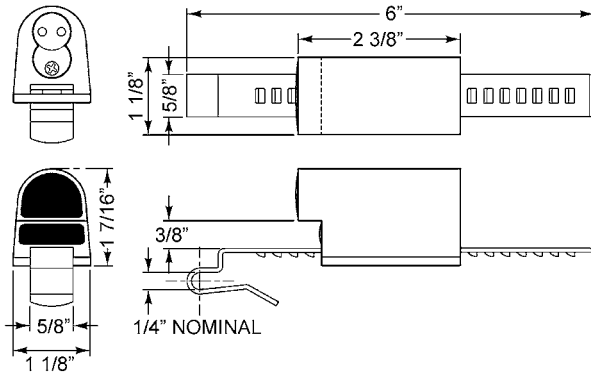
For BEST style interchangeable core cylinders



Woodwork Institute (WI) acknowledged product

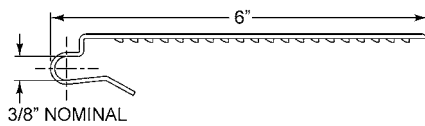
FOR BYPASSING SLIDING DOORS

Item	Finish	Mat. Thickness	Description
729R	26D	Up to 1/4"	Lock body - For small format IC
Optional straps:	729RS-2 fits up to 3/8" material thickness 729RS-3 fits up to 5/8" material thickness (adjustable)		

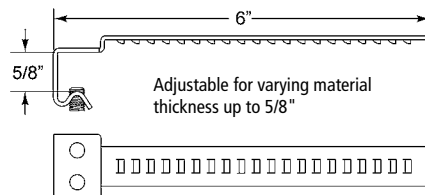


OPTIONAL STRAPS

729RS-2



729RS-3



SPECIFICATIONS

Retrofits: Best 35

ANSI/BHMA: Complies with clause 6.3 (8.2~8.4) of ANSI/BHMA A156.11 ANSI standards

Use: Sliding glass or wood doors

Body: Zinc die cast

Strap: Steel

Finish: 26D

Packaged: Packed 10 per box

KEYING INFORMATION

Cores: Not included.

Accepts: Best, Arrow, Falcon, KSP, Schlage SFIC or equivalent small format interchangeable cores

Compatible electronic cylinders: Medeco Nexgen XT or VIDEX CyberLock SFIC cylinders

INCLUDED ACCESSORIES

729RS-1 strap for 3/16" to 1/4" material thickness

725-1 spacer to fit 6 or 7 pin cores

725-PA plastic thumbturn

OPTIONAL ACCESSORIES

Alternate straps: 729RS-2 strap for 3/8" material thickness, or 729RS-3 strap for up to 5/8" material thickness

SFIC cores: 206/207 Series (Page 53)

► 206 | 207 SFIC Cylinders



BEST compatible interchangeable core cylinders

AVAILABLE KEYWAYS

A	B	C	D	E	F	G	H	
J	K	L	M	Q	1C	1D	KMT300	

206/207 6 or 7 pin SFIC cores

Item No.	Finish	Description
206-(x*)-(y*) 206-(x*)-(y*)-CUST	26D, US4	6 pin core, uncombined 6 pin core, KA, KD or MK
207-(x*)-(y*) 207-(x*)-(y*)-CUST	26D, US4	7 pin core, uncombined 7 pin core, KA, KD or MK
KB-400K(x*) KB-400K(x*)-CUST		Keyblank for 6 or 7 SFIC pin core Cut key for 6 or 7 SFIC pin core

(x*) = Keyway letter, (y*) = Finish



207S 7 Pin Cores (for use with 723S)

Item No.	Finish	Description
207S-(x*)-(y*) 207S-(x*)-(y*)-CUST	26D, US4	7 pin glass core, uncombined 7 pin glass core, KA, KD or MK
KB-400K(x*) KB-400K(x*)-CUST		Keyblank for 6 or 7 SFIC pin core Cut key for 6 or 7 SFIC pin core

(x*) = Keyway letter, (y*) = Finish

207S



For use with Olympus 723S

207 (BL/GR/RD) Painted Cores

We can match your blue, green or red painted Best cores.

Item No.	Color	Description
207-A-BL	BLUE	7 pin, keyed "Blue" (A keyway)
207-A-GR	GREEN	7 pin, keyed "Green" (A keyway)
207-A-RD	RED	7 pin, keyed "Red" (A keyway)

SPECIFICATIONS

206 Series: 6 pin core

207 Series: 7 pin core

207S Series: 7 pin core for 723S

Cores: Equivalent to Best, Arrow, Falcon or similar small format interchangeable cores

Standard finish: 26D or US4

Painted cores: 207 (7 pin only) available in blue (BL), green (GR) or red (RD)

KEYING INFORMATION

Uncombined: Core only (does not include pins, springs or keys)

Keyed cores: Specify KA, KD or MK.

Keyed cores include 2 change keys per core. 2 additional cut keys (master keys and/or control keys) are shipped with each order. Additional keys are available separately.

Stamping/Engraving: Custom stamping or engraving for cores and keys is available for an additional charge. See price list for details.

OTHER ACCESSORIES

Keys: For additional keys see bottom of this page or key information on page 55.

FOR USE WITH

L72, 720, 721, 722, 723, 724, 725, 728, 729 and 950 SFIC cabinet locks

SFIC CONSTRUCTION CORES

SFIC locks ship standard with 725-PA plastic actuator (except 728MBL and 723S). Brass keyed construction cores are available for an additional charge and may be returned for credit at a later date.

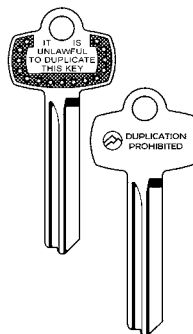
Construction cores receive one change key per 10 cores and one control key per 20 cores. Additional keys may be purchased at the standard price.

For more information call our customer service department at 800-525-0954.

KEY BLANKS & CUT KEYS

Item No.	Type	Description
KB-400K(x*)	Blank	Keyblank for 6 or 7 pin core
KB-400K(x*)-CUST	Cut key	Cut key for 6 or 7 pin core
KB-400K(x*)-CK	Cut key	Cut control key for 6 or 7 pin core
KB-400K(x*)-MK	Cut key	Cut master key for 6 or 7 pin core

x* = Specify keyway (see below)
A, B, C, D, E, F, G, H, J, K, L, M, Q, 1C, 1D, KMT300



► PA Series Plastic Thumbturns



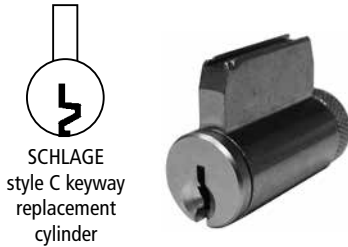
FOR INTERCHANGEABLE CORE LOCKS

Item	Description
725-PA	Ships standard with small format IC locks: L72V,720,721,722,724,725, 728,729,950 locks Ships standard with Corbin/Russwin IC locks: CR1125,CR25
7788-PA-D	Ships standard with Schlage FSIC locks: L92V,777,888,920,929
931-PA	Ships standard with Medeco/Yale IC locks: 931,ME93,YA93

SPECIFICATIONS

Description: Black or gray plastic thumbturn
Purpose: Operate lock without core
Material: Plastic

► 78-201 Schlage C Keyway Cylinders



SPECIFICATIONS

Cylinder: Solid brass, drilled for 6 pins
Finish: US26D or US4 finish
Keyway: Schlage C
Keying: Specify keying at time of order
Use: Works with Olympus less cylinder (for Schlage standard cylinder) cabinet locks
Universal driver: Position of the 10-360 universal driver in the back of the cylinder is dependent on the specific lock the cylinder will be used in. Please see ordering information below.
Cylinder includes: 2 operating keys and 10-360 universal driver, and 1 each 10-361 (1-1/8") and 10-362 (1-3/8") tailpiece/driver bar.



ORDERING INFORMATION

Orientation of universal driver (p/n 10-360) in back of cylinder is based on the Olympus item the cylinder will be used with. See the **For use with** section of the chart opposite for ordering information and cylinder part-numbers.

OTHER ACCESSORIES

Keys: For additional keys see page 55

CYLINDER ORDERING GUIDELINES

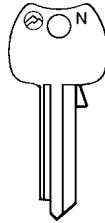
Item No.	Finish	Universal Driver 10-360 Position	For use with	Keying
78-201H26D-CUST 78-201HUS4-CUST	26D US4	Horizontal 	700LC 829R-LC 850S	KA, KD or MK
78-201V26D-CUST 78-201VUS4-CUST	26D US4	Vertical 	800LC 820LC	KA, KD or MK
78-201-26D-CUST 78-201-US4-CUST	26D US4	N/A	10-360 driver not required L78	KA, KD or MK

Custom stamping and/or engraving available. See price list for details.

► N Series Keys

KEY BLANKS

KBN-4-NP	National D4291 keyway - 4 pin blank Equivalent to NA14, 1069L
KBN-5-NP	National D4292 keyway - 5 pin blank Equivalent to NA12, 1069LA
KBN-5B	National D4291 keyway - 5 pin blank (copper plated for 100M/200M MRI locks)



CUT KEYS

KB-101-NP	Cut key for KA #101
KB-103-NP	Cut key for KA #103
KB-107-NP	Cut key for KA #107
KB-915-NP	Cut key for KA #915
KBN-4-CUST	Custom cut 4-pin key
KBN-5-CUST	Custom cut 5-pin key
KBN-5B-CUST	Custom cut 5-pin key (copper plated for 100M/200M Series MRI locks)

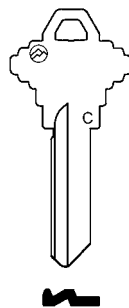
MASTER KEYS

KB-GM1MK-NP	Cut master key for GM1 (4-pin) master key system
KB-GM2MK-NP	Cut master key for GM2 (5-pin) master key system
KB-GM3MK-NP	Cut master key for GM300 (5-pin) master key system

► Schlage C Keys

KEY BLANKS

KBSC-5-NP	Schlage C keyway - 5 pin blank
KBSC-6-NP	Schlage C keyway - 6 pin blank



CUT KEYS

KB-700-101	Cut key for KA#101
KB-700-102	Cut key for KA#102
KB-700-CUST	Custom cut key for Schlage C keyway

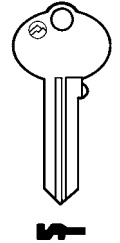
MASTER KEYS

KB-700MK	Cut master key for Schlage C (6-pin) master key system
----------	--

► R Series Keys

KEY BLANKS

KBR-5-NP	CCL R1 keyway - 5 pin blank Equivalent to CO106, 1003A
KBR-5B	CCL R1 keyway - 5 pin blank (copper plated for 500M/600M MRI locks)
KBR-6-NP	CCL R1 keyway - 6 pin blank Equivalent to L1003A



CUT KEYS

KB-4T2-NP	Cut key for KA #4T21579
KB-4T3-NP	Cut key for KA #4T37526
KBR-5-CUST	Custom cut 5-pin key
KBR-5B-CUST	Custom cut 5-pin key (copper plated for 500M/600M MRI locks)
KBR-6-CUST	Custom cut 6-pin key

MASTER KEYS

KB-R1MK-NP	Cut master key for R1 (5-pin) master key system
------------	---

► SFIC/B7 Keys

KEY BLANKS

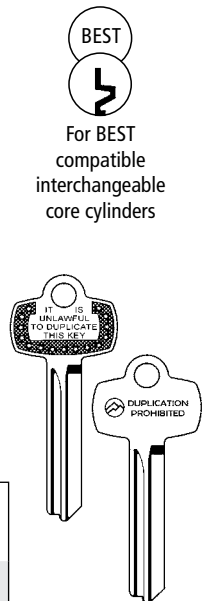
KB-400K(x*)	Keyblank for 6 or 7 pin core
x* = Specify keyway (see below) A,B,C,D,E,F,G,H,J,K,L,M,Q,1C,1D,KMT300	

CUT KEYS

KB-400K(x*)-CK	Cut control key for 6 or 7 pin core
KB-400K(x*)-CUST	Cut key for 6 or 7 pin core
x* = Specify keyway (see below) A,B,C,D,E,F,G,H,J,K,L,M,Q,1C,1D,KMT300	

AVAILABLE KEYWAYS

A	B	C	D	E	F	G	H	
J	K	L	M	Q	1C	1D	KMT300	



For BEST compatible interchangeable core cylinders



Made in USA

► N1 Kit For N Series Locks

Item	Description	Qty/pkg.
OC3730	Driver #1	100
OC3731	Driver #2	100
OC3732	Driver #3	100
OC3733	Driver #4	100
OC3740	Master driver #2	100
OC3741	Master driver #3	100
OC3742	Master driver #4	100
OC3743	Master driver #5	100
OC3744	Master driver #6	100
OC3745	Master driver #7	100
OC3746	Master driver #8	100
OC3747	Master driver #9	100

Additional pins available (100 pcs. per pkg.)
Specify item number above when ordering replacement pins.

Item	Description	Qty/pkg.
OC3750	Tumbler #0	100
OC3751	Tumbler #1	100
OC3752	Tumbler #2	100
OC3753	Tumbler #3	100
OC3754	Tumbler #4	100
OC3755	Tumbler #5	100
OC3756	Tumbler #6	100
OC3757	Tumbler #7	100
OC3758	Tumbler #8	100
OC3759	Tumbler #9	100
OC3737	Tumbler springs	100
S100	Set screws	10
FL1	Plug follower	1 ea.

SPECIFICATIONS

Keyway: N Series (National D4291/D4292 Keyway)
Pins: Color coded, .101 diameter brass pins

USE WITH

100, 200, 300, 329, 998, 999, FC10, L20V, N078, T37, T54C, DCN1,2,3,4

EACH KIT INCLUDES

- 100 each: Drivers 1 through 4
- 100 each: Master drivers 2 through 9
- 100 each: Tumblers 0 through 9
- 100 each: Tumbler springs
- 10 each: Set screws
- 1 each: Plug follower

► R1 Kit For R Series Locks

Item	Description	Qty/pkg.
X025	Master pin #2	100
X038	Master pin #3	100
X050	Master pin #4	100
X063	Master pin #5	100
X075	Master pin #6	100
X088	Master pin #7	100
X100	Master pin #8	100
X113	Master pin #9	100
W111	Bottom pin #0	100
W123	Bottom pin #1	100
W136	Bottom pin #2	100
W148	Bottom pin #3	100
W161	Bottom pin #4	100
W173	Bottom pin #5	100
W186	Bottom pin #6	100
W198	Bottom pin #7	100
W210	Bottom pin #8	100
W223	Bottom pin #9	100

Item	Description	Qty/pkg.
X155	Driver #0	100
X088	Driver #5	100
OC3737	Tumbler springs	100
S100	Set screws	10
FL1	Plug follower	1 ea.

Additional pins available (100 pcs. per pkg.)
Specify item number above when ordering replacement pins.

SPECIFICATIONS

Keyway: R Series (CCL R1 Keyway)
Pins: Color coded, .095 diameter brass pins,
Olympus B4R ball end bottom pins, type B4R & 4R master pins

USE WITH

500, 600, 400, 429, 996, 997, R078, DCR1,2,3,4

EACH KIT INCLUDES

- 100 each: Master pins 2 through 9
- 100 each: Bottom pins 0 through 9
- 100 each: Drivers 0 and 5
- 100 each: Tumbler springs
- 10 each: Set screws
- 1 each: Plug follower

► SK Series Sample, Service & Parts Kits



TOP LAYER
Parts and accessories

BOTTOM LAYER
Cabinet lock products

SPECIFICATIONS

Kits contains a sampling of our best selling Olympus cabinet locks and accessories.

SK-002

General Product Line Kit: This kit contains our best selling Olympus cabinet locks and accessories. The kit comes with its own plastic, 2 level case with each product carefully marked and separated by dividers.

SK-003

SFIC Product Line Kit: This kit contains a sampling of our small format interchangeable core cabinet locks and accessories. The kit comes with its own plastic, 2 level case with each product carefully marked and separated by dividers.

SK-004

Parts & Accessories Kit: Contains a sampling of our most popular parts and accessories. The kit comes in its own plastic, 2 level case with parts marked and separated by dividers. Provides additional room for extra locks and accessories.

► CL-HIT-25 Cabinet Lock Drill Guide



SPECIFICATIONS

Rubber lined jaws: Protect cabinet doors and give greater holding power.

Adjustable stop: For repeat installations on the same cabinet door.

Maximum thickness: Works on doors up to 1-1/2" thick.

Hole location: Locate the cylinder hole up to 2-5/8" from the edge of the door.

Five sizes of drill bushings for versatility: 3/4", 7/8", 1", 1-1/8" and 1-1/4".

These bushings are designed to be used with clean cutting Forstner type drill bits and are not compatible with hole saws, paddle, or spade-type bits.

► CL-MP-118 Double D Metal Punch For 1-1/8" diameter cam locks



SPECIFICATIONS

Hole type: Punches a DOUBLE "D" hole in sheet metal cabinet drawers and doors.

Metal type: Use on metal cabinets or any type of sheet metal door made with 18 gauge (.048) or lighter steel.

To use: Drill a 3/4" hole centered where the cam lock is to be installed, slide the punch through the hole and tighten down the hex nut with a 11/16" wrench or socket set.

Hole size: Punches a DOUBLE "D" hole size approximately 7/8" wide by 1-1/8" high.

For use with: 1-1/8" diameter Olympus cabinet locks 720, 820, 920, CR25 ME93, SA54 and YA93.

► FDB Series Display Boards



FDB-001



FDB-002



FDB-003



FDB-004



FDB-005

SPECIFICATIONS

This valuable resource demonstrates the variety of pin-tumbler cabinet locks available from Olympus Lock. Each lock is mounted so it can be functionally tested. Boards are made of particle board with plastic laminate and are free-standing for countertop display (except FDB-005). Specific finishes or locks may be requested at time of order.

FDB-001

PRODUCT LINE OVERVIEW

Includes a sampling of each product family: Large pin, small pin, interchangeable core, padlockable cam locks.

FDB-002

SMALL PIN LOCKS

Includes a sampling of our small pin N Series or R Series locks.

FDB-003

SCHLAGE FULL-SIZE IC + LARGE PIN LOCKS

Includes a sampling of our large pin and/or Schlage full-size interchangeable core locks.

FDB-004

SMALL FORMAT IC LOCKS

Includes a sampling of our small format interchangeable core locks.

FDB-005

SAMPLE STICK

This small board is easy to carry and includes our best selling items.

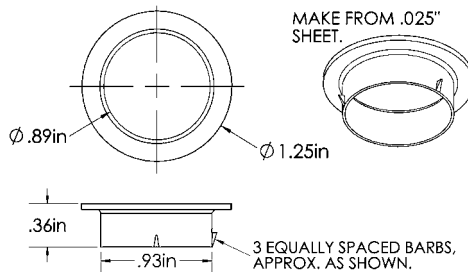
► TR1256 | TR78 Trim Rings



7/8" hole dia.

TR1256

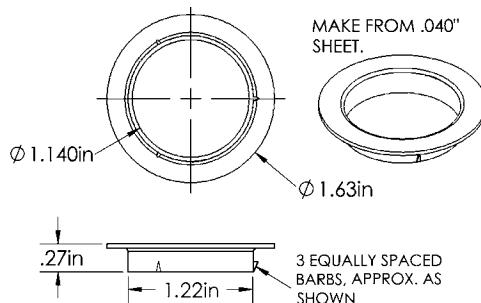
Fits 7/8" diameter cabinet locks



1-1/8" hole dia.

TR78

Fits 1-1/8" diameter cabinet locks



SPECIFICATIONS

Trim rings cover chips or gouges in the laminate or wood hole that can be seen from the outside of the cabinet. They are used primarily to enhance the appearance of the overall lock installation.

TR1256

Fits: 7/8" diameter cabinet locks

Material: Brass

Finish: 26D, US4 or 10B

Use with: 100, 200, N078, 999, 998, 500, 600, R078, 997, 996, L20V

TR78

Fits: 1-1/8" diameter cabinet locks

Material: Brass

Finish: 26D, US3 or 10B

Use with: 700, 800, 850, 950, 721, 725, 754, 854, 777, 888, 931, L72, L78, L92

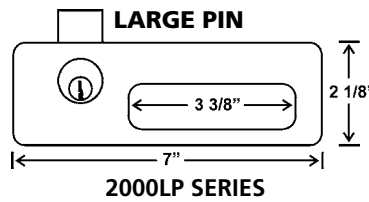
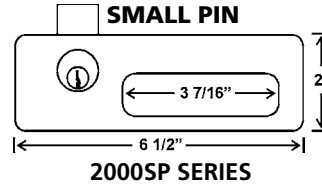
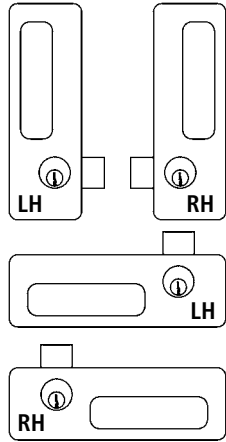
► 2000 Handle Series



"I applaud your research toward a beneficial solution to all users, including people with disabilities," and for "creating a system that would not only meet the required code and ADA standards, but would truly work the best for the widest range of users."
 — Barbara L. Allan, Director Access/Abilities Program, Easter Seals



2000SP-RH
(right-hand)



SPECIFICATIONS

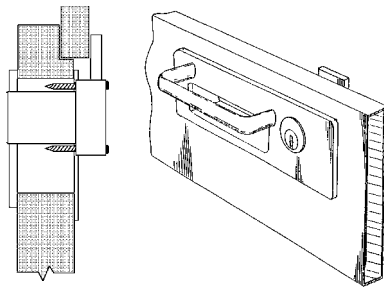
Function: Cabinet pull and lock all in one unit
ADA use: Can be used in ADA (American Disabilities Act) applications when used with optional wire pull
Application: Fits door or drawer applications
Finish: US26D finish
Locking: Accepts small or large pin Olympus cabinet locks
Non-locking: Matching dummy handles for non-locking doors and drawers
U.S. Patent No.: 6,412,317 B1

2000SP SERIES - USE WITH

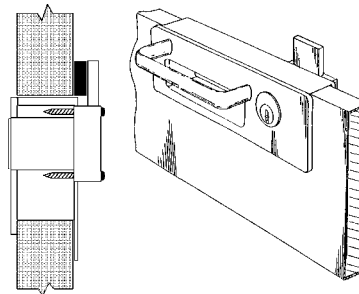
Olympus 7/8" diameter cabinet lock series: 100, 200, 500 or 600.
 Olympus 3/4" cam lock series: DCN, DCR, B7
 (requires use of cam lock adapter 2000MED-DR for doors or 2000MED-DW for drawers).

2000LP SERIES - USE WITH

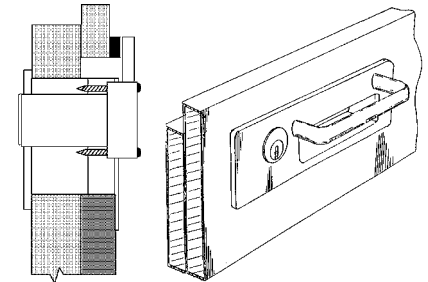
Olympus 1-1/8" diameter cabinet lock series: 700, 721, 754, 777, 800, 854, 888 or 931.



2001 Series
Overlay Construction



2002 Series
Flush Construction



2003/2004 Series
Drawer Liner Construction

2001 SERIES Overlay Construction

Item	Handing*	Type	Finish	Fits Material
2001SP 2001SPD	RH or LH	Small Pin Locking Small Pin Dummy	26D	3/4" to 1"
2001LP 2001LPD	RH or LH	Large Pin Locking Large Pin Dummy	26D	3/4" to 1"

* RH or LH can also be used in the drawer position

2002 SERIES Flush Construction

Item	Handing*	Type	Finish	Fits Material
2002SP 2002SPD	RH or LH	Small Pin Locking Small Pin Dummy	26D	3/4" to 7/8"
2002LP 2002LPD	RH or LH	Large Pin Locking Large Pin Dummy	26D	3/4" to 7/8"

* RH or LH can also be used in the drawer position

2003/2004 SERIES Drawer Liner Construction

Item	Handing*	Type	Finish	Fits Material
2003SP 2003SPD	RH	Small Pin Locking Small Pin Dummy	26D	1-1/2"
2004SP 2004SPD	RH	Small Pin Locking Small Pin Dummy	26D	1-1/4" to 1-3/8"
2003LP 2003LPD	RH	Large Pin Locking Large Pin Dummy	26D	1-3/8"

* RH can also be used in the drawer position

102 SERIES Oval Wire Pull



3-3/4" or 4" optional oval wire pull is required for ADA compliance and is mounted per below. For use with small or large pin handles.

Item No.	Finish	Description
102-015-965C	26D	3 3/4" satin chrome pull
102-015-96	US3	3 3/4" polished brass pull
102-015-45C	26D	4" satin chrome pull
102-015-4	US3	4" polished brass



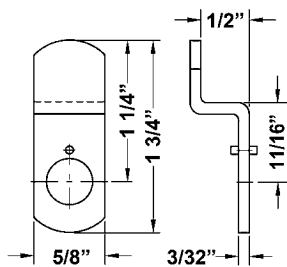
Pull can be used in door or drawer configuration.

► Offset Cams For B7, DCN, DCR

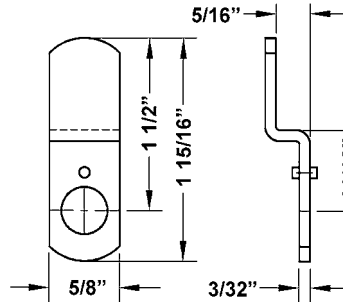
- DCNP-100-BC5.....1/2" offset cam
- DCNP-100-LBClong offset cam
- DCNP-100-HD1-7/16" heavy duty offset cam
- DCNP-100-HD21-3/4" heavy duty offset cam
- DCNP-100-HD31/8" heavy duty offset cam
- DCNP-100-HC1.....offset hook cam

SPECIFICATIONS

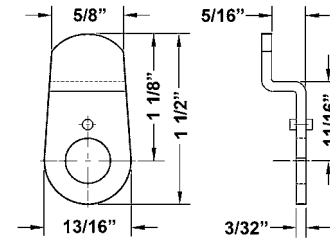
DCNP cams work with our 3/4" cam lock series DCN, DCR or B7. All offset cams are reversible and can be used in either the inbent or outbent position. See the applicable product page for accessories that ship standard with each product.



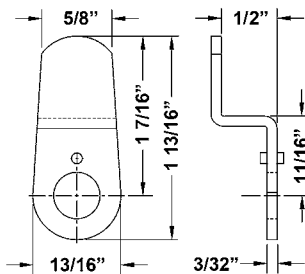
DCNP-100-BC5
1/2" offset cam



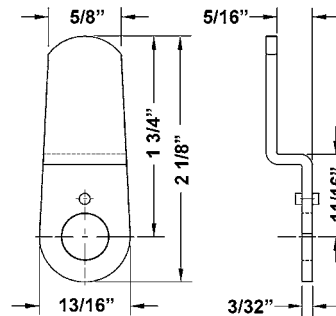
DCNP-100-LBC
15/16" offset cam



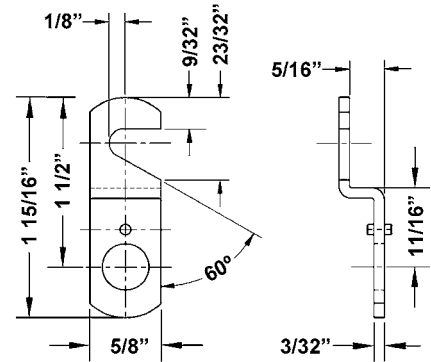
DCNP-100-HD3
1-1/8" heavy duty offset cam



DCNP-100-HD
1-7/16" heavy duty offset cam



DCNP-100-HD2
1-3/4" heavy duty offset cam



DCNP-100-HC1
offset hook cam

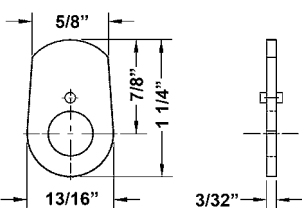
► Straight Cams For B7, DCN, DCR

- DCNP-HD-875 7/8" short cam
- DCNP-HD-1 1" short cam
- DCNP-100-SC2 1-3/4" heavy duty straight cam
- DCNP-100-LC long 3" straight cam

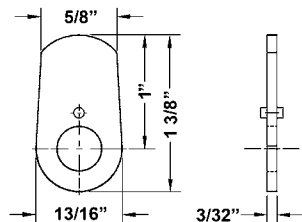
SPECIFICATIONS

DCNP cams work with our 3/4" cam lock series DCN, DCR or B7. All offset cams are reversible and can be used in either the inbent or outbent position. See the applicable product page for accessories that ship standard with each product.

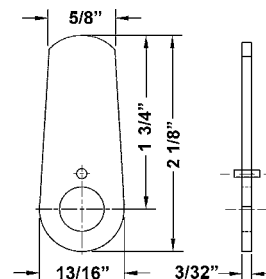
APPLICATION NOTE
Use the DCNP-HD-875 cam with our DCN2 series cam locks to retrofit **Hollman Lockers** brand keyed cam locks.



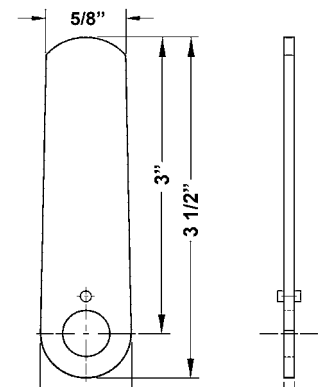
DCNP-HD-875
short cam



DCNP-HD-1
short cam



DCNP-100-SC2
1-3/4" heavy duty straight cam



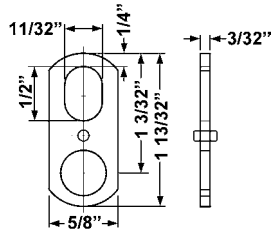
DCNP-100-LC
long 3" straight cam

► Specialty Cams For B7, DCN, DCR

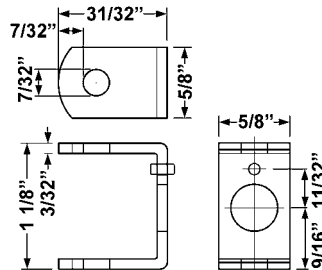
- DCNP-100-B1 Straight 1-3/32" long with oval cutout
- DCNP-100-B2 U-shaped bent cam
- DCNP-100-B3 Straight hook cam
- DCNP-100-WB short cam with perpendicular arm

SPECIFICATIONS

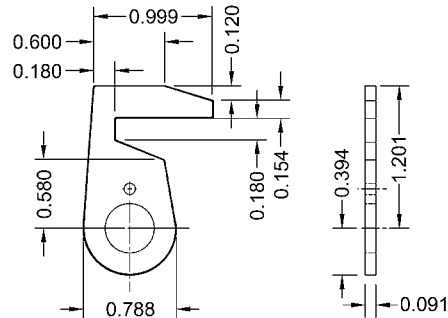
DCNP cams work with our 3/4" cam lock series DCN, DCR or B7. All offset cams are reversible and can be used in either the inbent or outbent position. See the applicable product page for accessories that ship standard with each product.



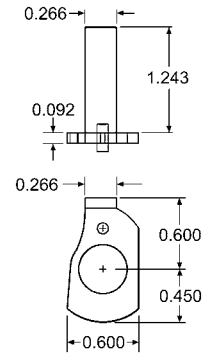
DCNP-100-B1
straight cam w/cutout



DCNP-100-B2
U-shaped cam

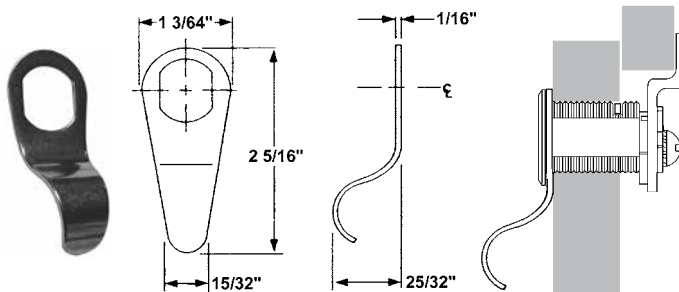


DCNP-100-B3
straight hook cam



DCNP-100-WB
short cam with perpendicular arm

► Other Accessories For B7, DCN, DCR



DCNP-300-FP

Finger pull for use with DCN and DCR series cam locks. Eliminates need for additional cabinet pull. Mounts between front of cam lock and cabinet face. Stainless steel finish.

KEY-RETAINING CAM SHIFTERS

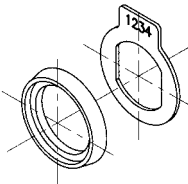


DCNP-200-KR
key-retaining drawer cam shifter

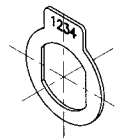


DCNP-200-KDR
key-retaining door cam shifter

NUMBER PLATES & KITS



T37-NKIT
Number Plate Kit
For use with B7 or T37 only



T37DC-NP
Number Plate
For use with DCN, DCR, B7, T37

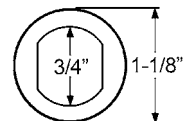
WASHERS



DCNP-SPW
pronged wood washer

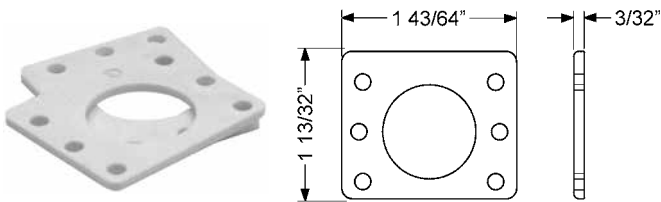


DCNP-GW
self-adhesive clear plastic washer for mounting lock on glass

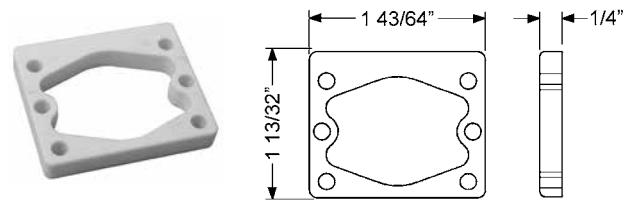


► Spacers For 7/8" diameter locks

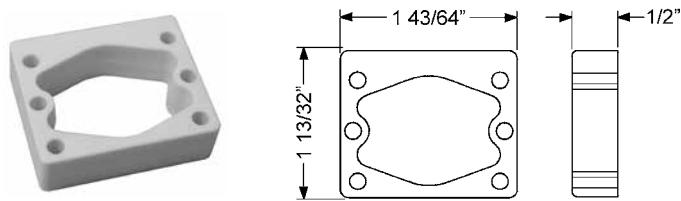
WP21 3/32" thickness
Use with 100, 200, 500, 600, L20V, N078, R078



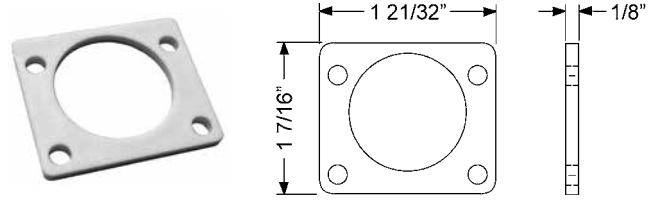
WP22 1/4" thickness
Use with 100, 200, 500, 600, L20V, N078, R078



WP23 1/2" thickness
Use with 100, 200, 500, 600, L20V, N078, R078

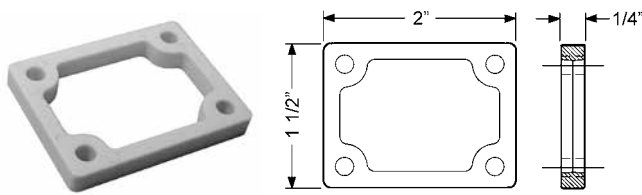


WP24 1/8" thickness
Use with 996, 997, 998, 999

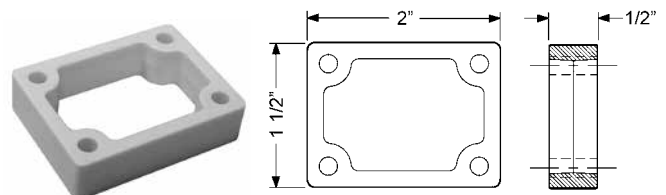


► Spacers For 1-1/8" diameter locks

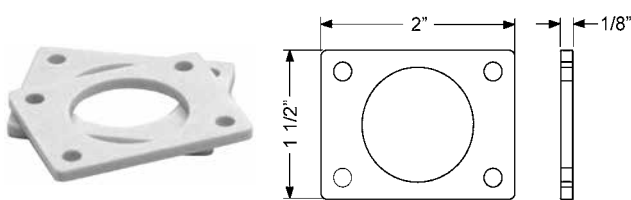
10-348 1/4" thickness
Use with 700, 721, 754, 777, 800, 850, 854, 888, 931, 950, L92, L72



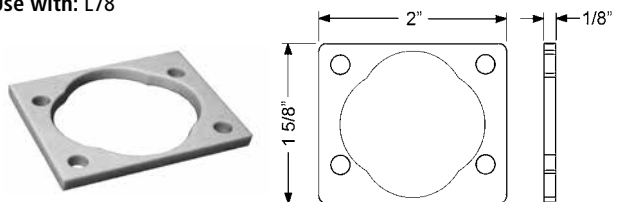
10-349 1/2" thickness
Use with 700, 721, 754, 777, 800, 850, 854, 888, 931, 950, L92, L72



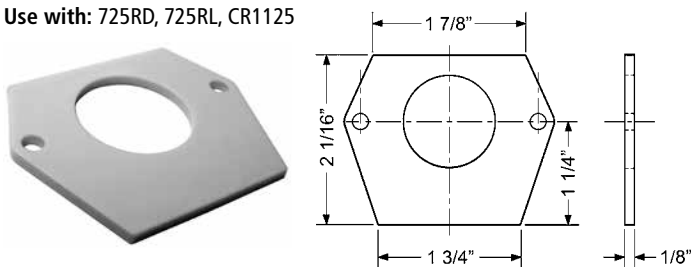
10-350 1/8" thickness
Use with: 700, 721, 754, 777, 800, 850, 854, 888, 931, 950, L92, L72



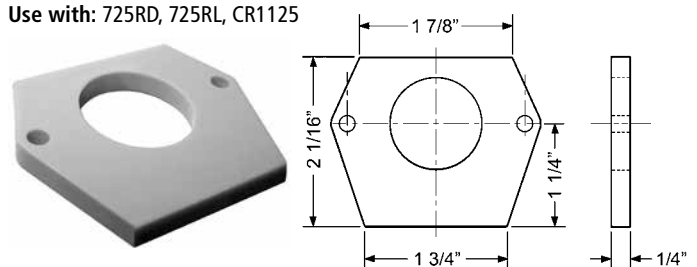
10-351 1/8" thickness
Use with: L78



WP725 1/8" thickness
Use with: 725RD, 725RL, CR1125



WP726 1/4" thickness
Use with: 725RD, 725RL, CR1125



► ETS Series Through-bolt mounting hardware

ETS SERIES (a)

Exterior through-bolt plate

Attractive mounting: External metal through-bolt plate *figure (a)* allows for flush mounting of the cabinet lock face with face of cabinet

Increases security: Reinforces the cabinet face by direct connection of lock mounting screws to through-bolt plate's binder posts

Available finishes: US3 and 26D

Includes: Mounting screws

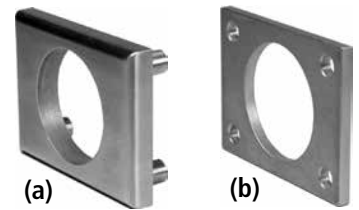
ETST SERIES (b)

Spacer/template for through-bolt plate

Mounting guide: The spacer/template *figure (b)* allows for proper mounting hole placement of external through-bolt plate

Spacer: Can be used as a 1/8" shim spacer

Available finishes: US3 and 26D

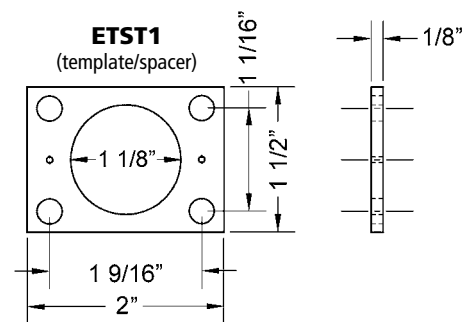
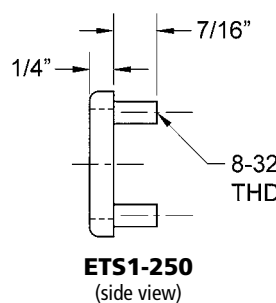
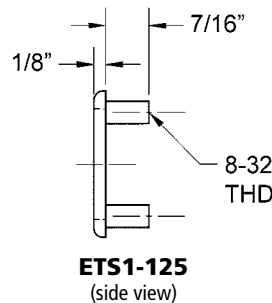
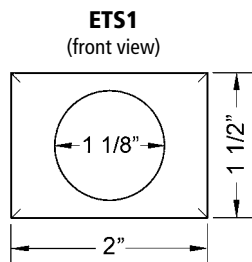


Through-bolt plates and spacer/templates increase security by providing through-bolt mounting of Olympus cabinet locks. U.S. Patent No. D490,686 S

► ETS1 | ETST1

For use with 700, 721, 754, 777, 800, 850, 854, 888, 931, 950, L72V, L92V

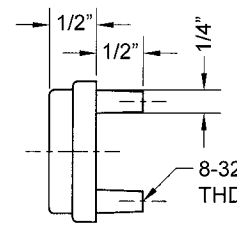
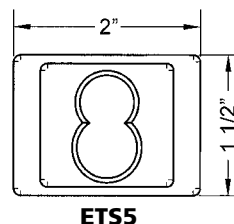
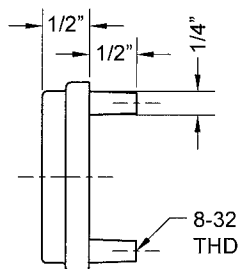
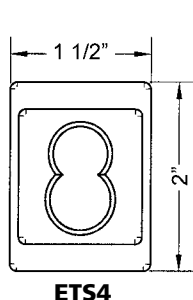
Item	Finish	Description
ETS1-125	26D, US3	1/8" thick through-bolt plate
ETS1-250	26D, US3	1/4" thick through-bolt plate
ETS1B	26D, US3	1/4" thick through-bolt plate (no hole)
ETST1	26D, US3	Through-bolt plate spacer/template



► ETS4 | ETS5

For use with 777, 888

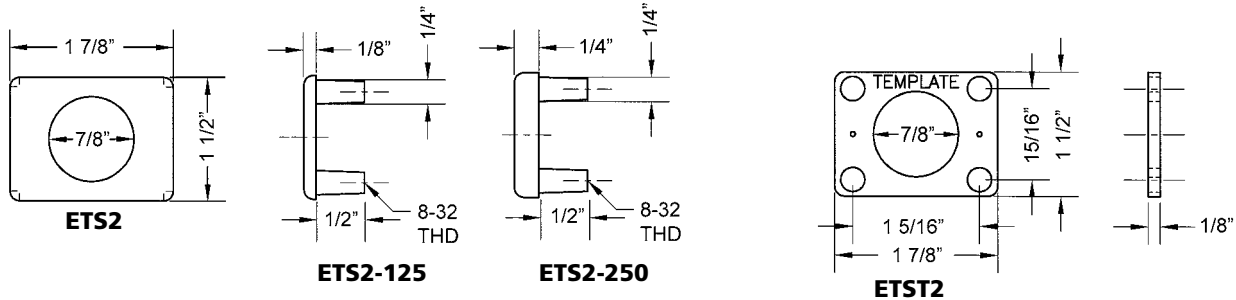
Item	Finish	Description	Use With
ETS4	26D, US3	1/2" thick through-bolt plate	777 Series
ETS5	26D, US3	1/2" thick through-bolt plate	888 Series



► ETS2 | ETST2

For use with 100, 200, 500, 600, L20V

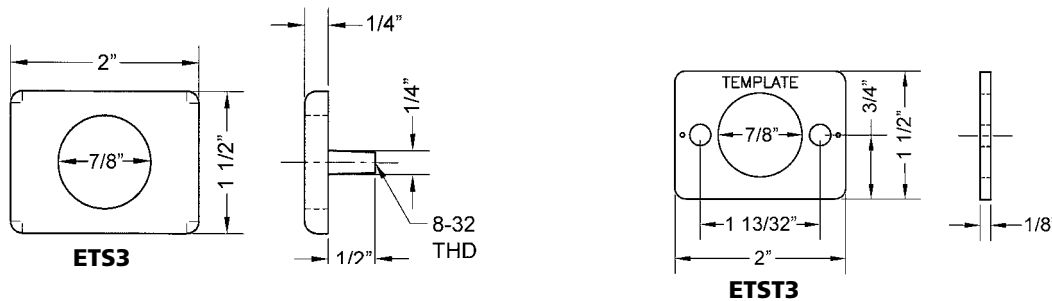
Item	Finish	Description
ETS2-125	26D, US3	1/8" thick through-bolt plate
ETS2-250	26D, US3	1/4" thick through-bolt plate
ETST2	26D, US3	1/8" spacer/template



► ETS3 | ETST3

For use with N078, R078

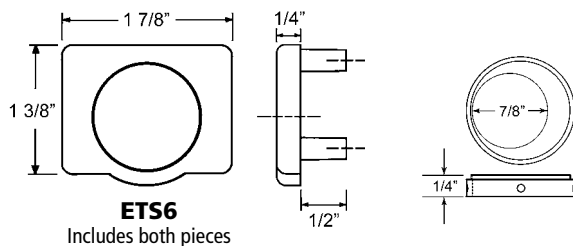
Item	Finish	Description
ETS3	26D, US3	1/4" thick through-bolt plate
ETST3	26D, US3	1/8" spacer/template



► ETS6

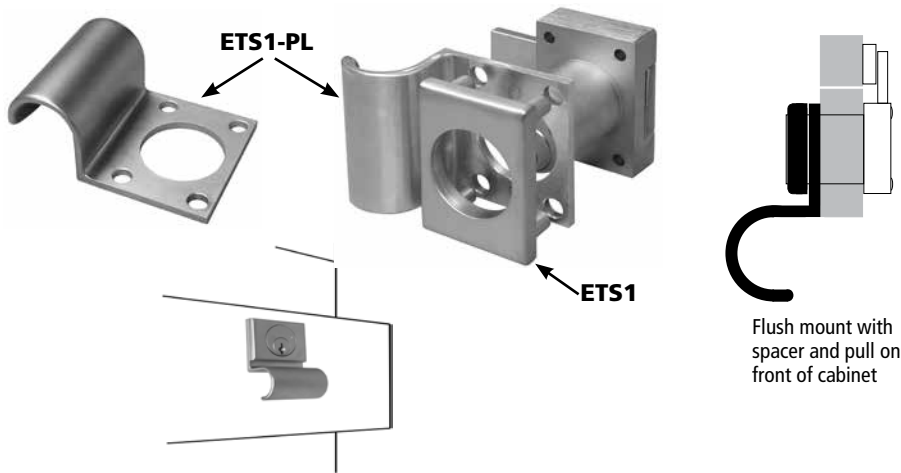
For use with 999, 998, 997, 996

Item	Finish	Description
ETS6	26D, US3	1/4" thick through-bolt plate



Includes both pieces

► ETS1-PL Pull for 1-1/8" diameter locks



Item	Finish	Description	Use With
ETS1-PL	26D, US3	1/8" thick pull	700, 721, 754, 777, 800, 850, 854, 888, 931, 950, L92V, L72V
ETS1-125	26D, US3	1/8" thick through-bolt plate	
ETS1-250	26D, US3	1/4" thick through-bolt plate	

Note: ETS1-PL requires use of ETS1-125 or ETS2-250

SPECIFICATIONS

Mounting: The ETS1-PL cabinet pull fits between our ETS1 through-bolt plate and the face of the cabinet. If mounted "pull down" in drawer applications, the pull will protect the face of the cabinet from the wear and tear of hanging keys.

Through-bolt security: When combined with the ETS1 through-bolt plate, they provide through-bolt mounting of the cabinet lock and pull in a single unit.

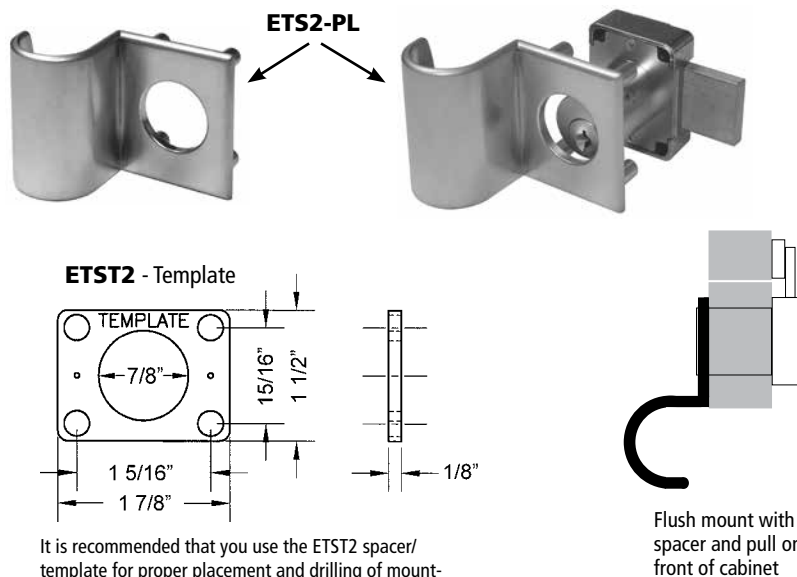
Function: Works for both door or drawer applications

Compatible with: Existing ETS1 hardware and screws

Available finishes: US3 and US26D

Use with 1-1/8" barrel diameter locks: 700, 721, 754, 777, 800, 850, 854, 888, 931, 950, L92V, L72V

► ETS2-PL Pull for 7/8" diameter locks



It is recommended that you use the ETST2 spacer/template for proper placement and drilling of mounting holes prior to installation.

Item	Finish	Description	Use With
ETS2-PL	26D, US3	1/8" thick pull	100, 200, 500, 600, L20V
ETST2	26D, US3	1/8" thick through-bolt plate	

SPECIFICATIONS

Mounting: The ETS2-PL cabinet pull is mounted on the face of the cabinet and provides through-bolt mounting of the cabinet lock and pull in a single unit. If mounted "pull down" in drawer applications, the pull will protect the face of the cabinet from the wear and tear of hanging keys.

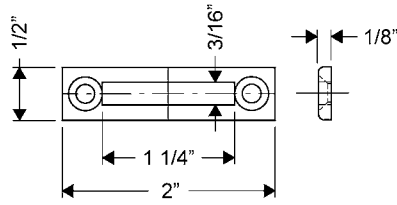
Function: Works for both door or drawer applications. Does not require use of ETS2 through-bolt plate. Works with existing ETST2 through-bolt spacer/template.

Available finishes: US3 and US26D

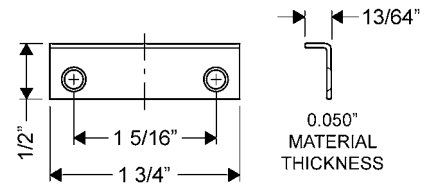
Use with 7/8" barrel diameter locks: 100, 200, 500, 600, L20V

► Strikes

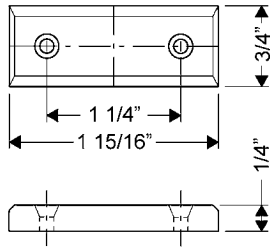
10-052 Slotted strike
Finish: 26D finish



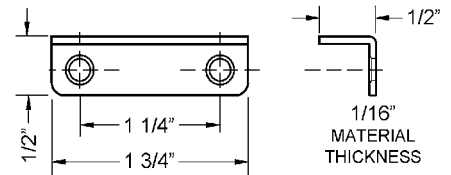
12-1 Angle strike
Finish: 26D or US4



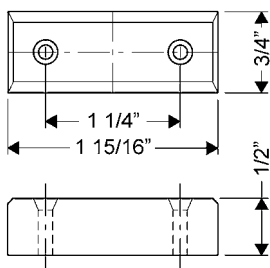
10-054 1/4" bar strike
Finish: White plastic



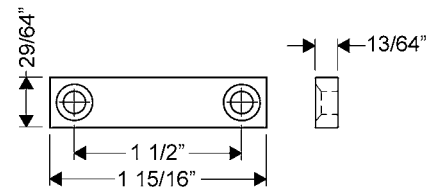
12-3 Medium angle strike
Finish: 26D or US4



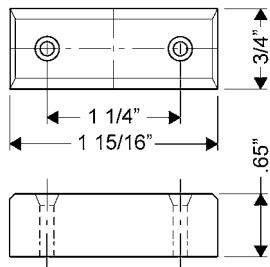
10-055 1/2" bar strike
Finish: White plastic



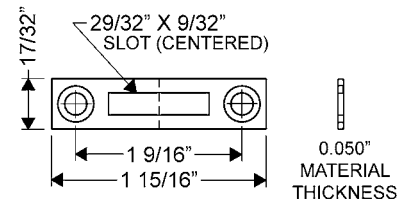
56-1 Bar strike
Finish: 26D or US4



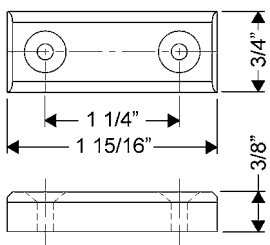
10-057 .65" bar strike
Finish: White plastic



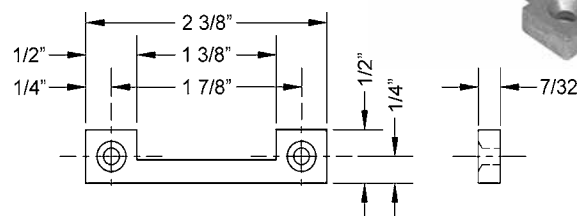
07S Slotted strike
Finish: 26D or US4



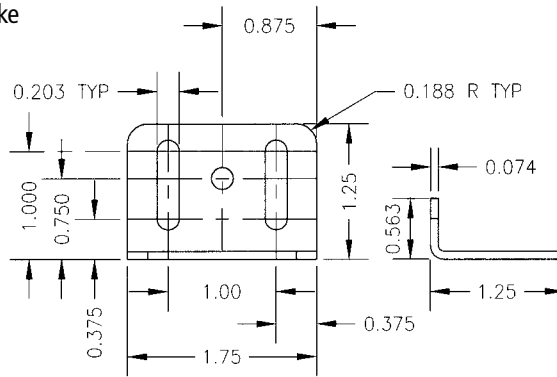
10-058 3/8" bar strike
Finish: White plastic



10-056 Notched bar strike
Finish: 26D



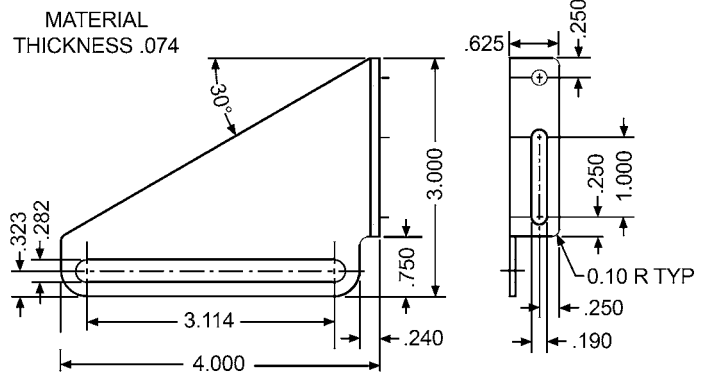
12-2 Heavy duty angle strike
Finish 26D



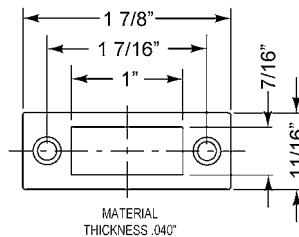
12-4-ZP Frameless drawer strike
Finish Zinc plated



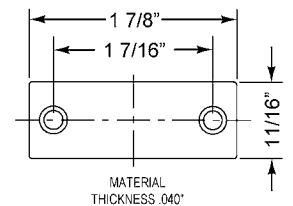
Provides a locking point when there is no frame between drawers. Can be mounted on left or right side of cabinet frame.



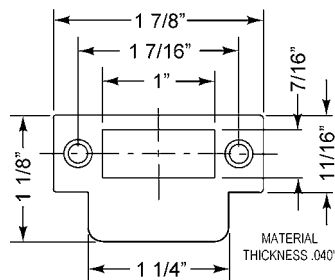
725-SP-MD Slotted strike
Use with 725 mortise deadbolt
Finish US3 or (SS) Stainless Steel



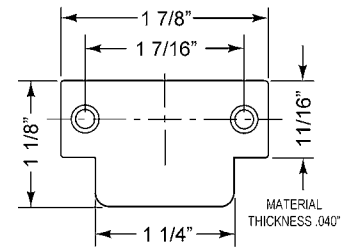
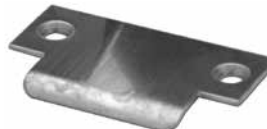
725-SP-RD Solid strike
Use with 725/CR1125 rim deadbolt
Finish US3 or (SS) Stainless Steel



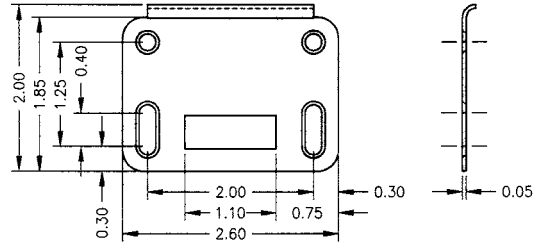
725-SP-ML Slotted lip strike
Use with 725 mortise latch
Finish US3 or (SS) Stainless Steel



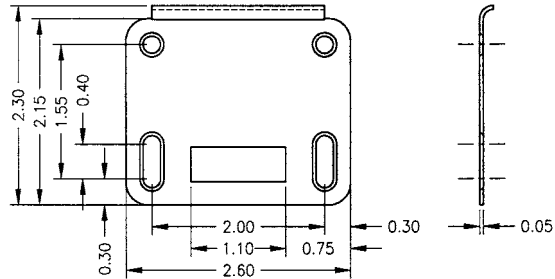
725-SP-RL Solid lip strike
Use with 725/CR1125 rim latch
Finish US3 or (SS) Stainless Steel



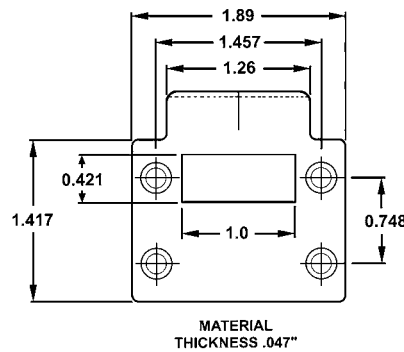
L78ST-1 Lipped strike
 Use with: L78, 1-1/8" barrel length
 and L72V, L92V
 Finish: US3 or Stainless Steel



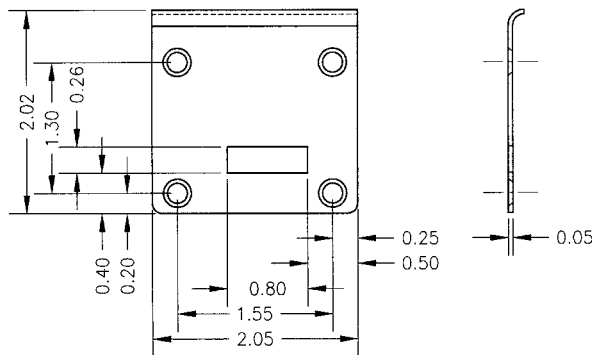
L78ST-2 Lipped strike
 Use with: L78, 1-3/8" barrel length
 Finish: US3



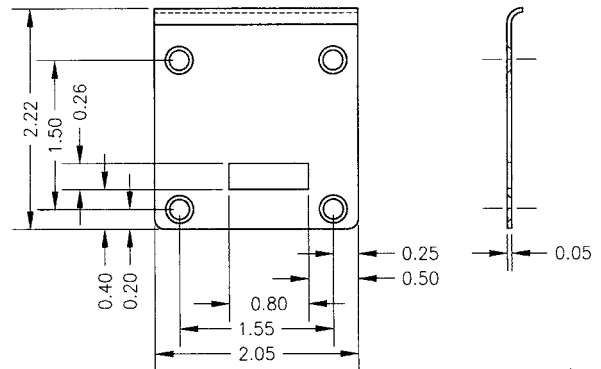
999-STRIKE Lipped strike
 Use with: 996, 997, 998, 999, L20V
 Finish: US3



850-210 Lipped strike
 Use with: 850/950, 1-1/8" barrel length
 Finish: US3

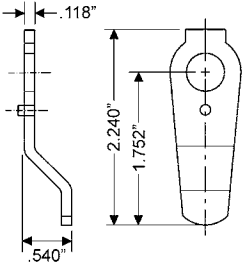
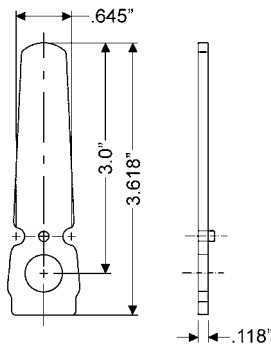
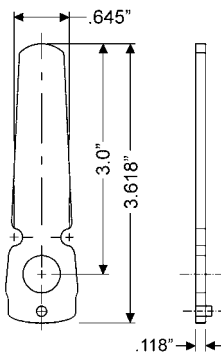
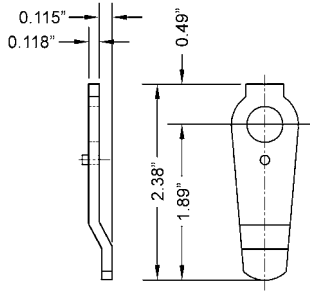


850-211 Lipped strike
 Use with: 850, 1-3/8" barrel length
 Finish: US3



► 720-3 Optional Cams

For use with: 720, 820, 920, CR25, ME93, SA54, and YA93 1-1/8" diameter cam locks (excludes 720B-DM)

			
<p>720-3-3 inbent cam for inverted function</p>	<p>720-3-4 3" straight cam for vertical function (mid-pin style)</p>	<p>720-3-4 3" straight cam for vertical function (bottom-pin style)</p>	<p>720-3-5 inbent cam for inverted function</p>

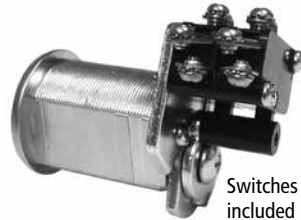
► SW-1 Switch Accessory Pack

SWITCHES

- Switches:** Not included.
Accepts: Pin plunger style, snap acting, miniature switches:
- Omron - V Series
 - Honeywell (MicroSwitch) - V Series
 - Cherry - E Series
 - Panasonic (Aromat) - ABV Type
 - C&K (ITT) - TM & TF Series



SW-1 Kit



Switches not included

SPECIFICATIONS

- Use:** Includes parts to convert 720, 820, 920, CR25, ME93, SA54 or YA93 series cam locks into switch locks
Special note: Cannot be used with 720B-DM direct drive
Configuration: Can be configured for 1 or 2 switches
Packaged: Each

► TR200 Trim Collars



TR201 - 1/8"



TR202 - 1/4"

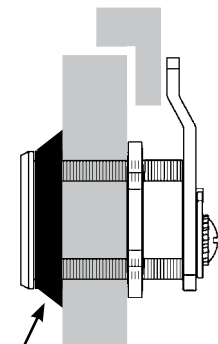


TR203 - 3/8"



TR204 - 5/32"

Item	Finish	Description	Use With
TR201	32D or US3	1/8" thick trim collar	720, 820, 920, CR25, ME93, SA54, YA93
TR202	32D or US3	1/4" thick trim collar	
TR203	32D or US3	3/8" thick trim collar	
TR204	32D	5/32" thick trim collar	
TR200A	32D or US3	Trim collar pack. Includes TR201, TR202 and TR203 trim collars.	



Trim collars pull lock forward allowing it to be used on thinner gauge material thickness.

Cam Assembly Instructions

For 1-1/8" Diameter Cam Locks

► For 1-1/8" Diameter Cam Locks 720, 820, 920, CR25, ME93, SA54, and YA93 (excludes 720B-DM)

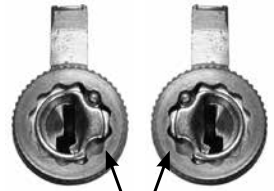
NOTE: These instructions do not apply to the 720B-DM direct drive cam lock. The 720B uses different cams and cam shifter mechanism.

Above referenced 1-1/8" diameter cam locks ship standard with A, B and C cam shifters (pictured below).

820 requires proper installation of universal driver into back of cylinder
(see picture at right) →

The 820 Series includes universal driver (item no. 10-360). For cam rotation to work properly, the supplied universal driver must be installed under the cap at the back of the cylinder in either of the 2 vertical positions indicated at the right (with tab to the left or right only). DO NOT install universal driver in the horizontal (tab up) position.

Schlage compatible cylinder



Correct universal driver position for 820 cam lock



720-CDLM
lost motion cam shifter
(non-key-retaining)



720-CDDM
key retaining
door cam shifter



720-KR
key retaining
drawer cam shifter

The cam shifter and cams must be assembled per the below instructions to achieve the proper handing and operation. To make cam assembly easier, it is recommended that a core is installed into the lock before the cam and cam shifter is assembled onto the back of the lock.

BOX A

720-3-2 VERTICAL CAM / 720-3-4 LONG 3" CAM
IMPORTANT: If your cam has a brass pin between the two notched cut outs, use these instructions, otherwise see Box B.

LH Door or Drawer **RH Door or Drawer**

Key removable in locked or unlocked position.

LH Door Key Retaining **RH Door Key Retaining**

Key removable in locked position only.

Drawer Key Retaining **Drawer Key Retaining**

Key removable in locked position only.

BOX B

720-3-2 VERTICAL CAM / 720-3-4 LONG 3" CAM
IMPORTANT: If your cam has a brass pin on the bottom of the cam, use these instructions, otherwise see Box A.

LH Door or Drawer **RH Door or Drawer**

Key removable in locked or unlocked position.

LH Door Key Retaining **RH Door Key Retaining**

Key removable in locked position only.

Drawer Key Retaining **Drawer Key Retaining**

Key removable in locked position only.

720-3-3 INVERTED CAM / 720-3-5 INVERTED CAM

Drawer **Drawer**

Stop pin → ← Stop pin

Key removable in locked or unlocked position.

Drawer Key Retaining **Drawer Key Retaining**

Stop pin → ← Stop pin

Key removable in locked position only.

720-3-1 SHORT CAM

LH Door Key Retaining **RH Door Key Retaining**

Inverted Drawer Key Retaining

Key removable in locked position only.

Rekeying Instructions

Rekeying instructions are also available on our website under each individual product page or videos in our video library at www.olympus-lock.com

► 100,200,500,600,996,997,998,999,L20V

1. Remove set screw from barrel of lock.
2. Remove internal cylinder housing from lock body.
3. Remove brass retainer on back of cylinder plug.
4. Turn key 1/4 turn and place follower tool into back of cylinder plug.
5. Push follower through lock, removing plug for rekeying.

► 300SD,400SD

Note: These locks need not be removed from cabinet to be rekeyed.

1. Open lock (cylinder projects forward).
2. Locate "speed release" button on left side of projected cylinder and depress with sharp tool. Cylinder will spring forward.
3. Turn key 1/4 turn and pull cylinder forward out of lock.
4. Pull up retaining pin located at rear of cylinder. Cylinder may be rekeyed in two ways: use a follow tool to remove plug, or access top slide.
5. After keying, hold bolt stable and reinsert cylinder while depressing "speed release." Lock cylinder will automatically realign itself and snap back into place.

► 329R/429R

1. Remove strap from lock.
2. Turn lock over so that the back of the lock faces up and you have access to the set screw.
3. Remove the set screw and the small triangular metal cap.
4. Turn the lock onto its side with the protruding section facing you.
5. Using a sharp tool or paperclip, depress the button at the bottom of the hole. This will release the cylinder housing for removal.
6. Remove the cylinder housing from the lock body.
7. Rekey as necessary.
8. Reassemble lock.

► B7,DCN,DCR,FC10

1. Remove cam and screw.
2. Turn lock upside down.
3. Take a sharp tool and push retainer staple out.
4. Turn key 1/4 turn and place follower tool into back of cylinder plug.
5. Push follower through lock removing plug for rekeying.

► T37

1. To remove bolt:
 - a. Turn key to the 2:00 position, pull bolt up
 - b. Using a small tool, depress the bolt spring through the hole on the back of the lock and pull the bolt out
2. Remove the trim collar from the lock.
3. Slide the pin retaining cap off to expose springs and pins.
4. Rekey as necessary.
5. After keying, slide pin retaining cap back into place.
6. Replace trim collar.
7. To reinsert bolt:
 - a. Insert key and turn to 2:00 position.
 - b. Insert bolt until spring snaps into place.

► N078,R078

1. Remove set screw from barrel of lock.
2. Remove internal cylinder housing from lock body.
3. Remove brass retainer on back of cylinder plug.
4. Turn key 1/4 turn and place follower tool into back of cylinder plug.
5. Push follower through lock, removing plug for rekeying.

► 700,800,L78,754,854

1. Remove set screw from barrel of lock.
2. Turn key 1/4 turn and pull out cylinder and housing from lock body.
3. Extract cylinder and rekey same as a Schlage-style cylinder. Olympus brass cylinder body will chamber Schlage and Weiser original cylinders along with Lori replacement plugs. Less cylinder locks may chamber other manufacturer's cylinders.
4. Replace cylinder in housing. For proper operation, lazy cam must be timed.

Door timing: Driver bar faces away from direction the bolt is projecting.

Drawer timing: Driver bar faces in same direction the bolt is projecting.
5. Insert cylinder and housing by aligning set screw and hole.
6. Push until cylinder is approximately 1/8" from seated position. Use key to pick up lazy cam which will fully seat cylinder. If key does not withdraw at end of bolt throw, cam is not timed correctly (see "timing" above - Step 4).

► 820

1. Remove both set screw and set screw/stop pin from back of lock.
2. Remove rear housing section from back of lock.
3. Remove internal cam driver from back of cylinder.
4. Remove cylinder from lock body.
5. Remove brass retainer on back of cylinder plug.
6. Turn key 1/4 turn and place follower tool into back of cylinder plug.
7. Push follower through lock, removing plug for rekeying.

► 829

1. Turn lock over and remove the 4 screws from the bottom rectangular plate.
2. Remove bottom plate, then remove remaining set screw from bottom of lock.
3. Remove cylinder and cylinder top block from lock body.
4. Rekey cylinder, then reassemble into lock body using the reverse of above steps.

► 850

1. Remove set screw from barrel of lock.
2. Remove internal cylinder housing from lock body.
3. Turn key 1/4 turn and pull out cylinder and housing from lock body.
4. Extract cylinder and rekey same as a Schlage-style cylinder. Olympus brass cylinder body will chamber Schlage and Weiser original cylinders along with Lori replacement plugs. Less cylinder locks may chamber other manufacturer's Schlage compatible key-in-knob cylinders.
5. Insert cylinder and housing by aligning set screw and hole.

Architectural Specifications

The architectural specifications listed in our catalog are also available on our website at www.olympus-lock.com

► SMALL PIN National Keyway

4 PIN - 650 key changes available under a master key system

5 PIN - 2,000 key changes available under a master key system

DEADBOLT LOCK —

Olympus 100DR (door) - Olympus 200DW (drawer)

Cabinet locks: Provide Olympus 100DR (door) and Olympus 200DW (drawer) easily rekeyable cabinet locks such as manufactured by Olympus Lock, Inc. All locks to include: working cylinder slides and forwardly removable cylinders for rekeying without totally disassembling lock body. Furnish 2 keys per lock and bar or slotted strikes as required. Spacers to be provided as required for flush fit with outside face of casework material. Locks shall be capable of being keyed alike, keyed different and/or master keyed per supplied schedule. Locks will have passed BHMA/ANSI Grade 1 performance requirements.

HEAVY DUTY LATCH LOCK —

Olympus L20V (drawer)

Cabinet locks: Provide Olympus L20V easily rekeyable, heavy duty, drawer latch lock such as manufactured by Olympus Lock, Inc. Lock to include, working cylinder slides, forwardly removable cylinders for rekeying without totally disassembling lock body. Spacers will be provided as required for flush fit with outside face of casework material. Furnish 2 keys per lock and lipped strike as required. Locks shall be capable of being keyed alike, keyed different and/or master keyed per supplied schedule.

LATCH LOCK —

Olympus 999R (RH-door) / 999L (LH-door) - Olympus 998 (drawer)

Cabinet locks: Provide Olympus 999 (door) and 998 (drawer) easily rekeyable latch locks such as manufactured by Olympus Lock, Inc. All locks to include: working cylinder slides, forwardly removable cylinders for rekeying without totally disassembling lock body and four-way reversible handing. Keyway will remain in the vertical position regardless of installation as a door or drawer. Spacers will be provided as required for flush fit with outside face of casework material. Furnish 2 keys per lock and lipped strike as required. Locks shall be capable of being keyed alike, keyed different and/or master keyed per supplied schedule.

SLIDING DOOR LOCK — Olympus 300SD (sliding door)

Cabinet locks: Provide Olympus 300SD (sliding door) lock. Locks shall be easily rekeyable without removal from cabinet via a speed release mechanism such as manufactured by Olympus Lock, Inc. All locks to include: working cylinder slides, forwardly removable cylinders for rekeying without totally disassembling lock body, built in bolt extension and strike locator. Locks will include 2 keys per lock and shall be capable of being keyed alike, keyed different and/or master keyed per supplied schedule.

CAM LOCKS — Olympus DCN1, DCN2, DCN3, DCN4

Cabinet locks: Provide Olympus DCN Series (cam lock). Cam locks to be easily rekeyable and field reversible such as manufactured by Olympus Lock, Inc. All cylinders to include a working top slide mechanism and retainer staple to permit easy rekeying and field maintenance of lock. Cam locks will have a 1 inch face diameter and include an anti-rotation plate to trap the hex nut and prevent the lock from twisting in the hole. All cam locks will be field reversible such that one straight and one offset cam will provide all locking positions. Locks will include 2 keys per lock and shall be capable of being keyed alike, keyed different and/or master keyed per supplied schedule. Locks will have passed BHMA/ANSI Grade 1 performance requirements.

DEADBOLT LOCK —

Olympus N078R (RH-door) / N078L (LH-door) - and N078 (drawer)

Cabinet locks: Provide Olympus N078 (door) and N078 (drawer) easily rekeyable cabinet locks such as manufactured by Olympus Lock, Inc. All locks to include: working cylinder slides and forwardly removable cylinders for rekeying without totally disassembling lock body. Provide spacers as required for flush fit with outside face of casework material. Keyway will remain in the vertical position regardless of installation as a door or drawer. Locks will include 2 keys per lock and shall be capable of being keyed alike, keyed different and/or master keyed per supplied schedule.

SHOWCASE RATCHET LOCK — Olympus 329R

Ratchet locks: Provide Olympus 329R easily rekeyable ratchet lock such as manufactured by Olympus Lock, Inc. All locks to include: working cylinder slides and forwardly removable cylinders for rekeying without totally disassembling lock body. Locks will include 2 keys per lock and shall be capable of being keyed alike, keyed different and/or master keyed per supplied schedule.

► SMALL PIN CCL Keyway

5 PIN - 2,000 key changes available master key system

6 PIN - 4,000 key changes available master key system

DEADBOLT LOCK —

Olympus 500DR (door) - Olympus 600DW (drawer)

Cabinet locks: Provide Olympus 500DR (door) and Olympus 600DW (drawer) easily rekeyable cabinet locks such as manufactured by Olympus Lock, Inc. All locks to include: working cylinder slides and forwardly removable cylinders for rekeying without totally disassembling lock body. Furnish 2 keys per lock and bar or slotted strikes as required. Spacers to be provided as required for flush fit with outside face of casework material. Locks shall be capable of being keyed alike, keyed different and/or master keyed per supplied schedule. Locks will have passed BHMA/ANSI Grade 1 performance requirements.

LATCH LOCK —

Olympus 997R (RH-door) / 997L (LH-door) - Olympus 996 (drawer)

Cabinet locks: Provide Olympus 997 (door) and 996 (drawer) easily rekeyable latch locks such as manufactured by Olympus Lock, Inc. All locks to include: working cylinder slides, forwardly removable cylinders for rekeying without totally disassembling lock body and four-way reversible handing. Keyway will remain in the vertical position regardless of installation as a door or drawer. Spacers will be provided as required for flush fit with outside face of casework material. Furnish 2 keys per lock and lipped strike as required. Locks shall be capable of being keyed alike, keyed different and/or master keyed per supplied schedule.

SLIDING DOOR LOCK — Olympus 400SD (sliding door)

Cabinet locks: Provide Olympus 400SD (sliding door) lock. Locks shall be easily rekeyable without removal from cabinet via a speed release mechanism such as manufactured by Olympus Lock, Inc. All locks to include: working cylinder slides, forwardly removable cylinders for rekeying without totally disassembling lock body, built in bolt extension and strike locator. Locks will include 2 keys per lock and shall be capable of being keyed alike, keyed different and/or master keyed per supplied schedule.

CAM LOCK — Olympus DCR1, DCR2, DCR3, DCR4

Cabinet locks: Provide Olympus DCR Series (cam lock). Cam locks to be easily rekeyable and field reversible such as manufactured by Olympus Lock, Inc. All cylinders to include a working top slide mechanism and retainer staple to permit easy rekeying and field maintenance of lock. Cam locks will have a 1 inch face diameter and include an anti-rotation plate to trap the hex nut and prevent the lock from twisting in the hole. All cam locks will be field reversible such that one straight and one offset cam will provide all locking positions. Locks will include 2 keys per lock and shall be capable of being keyed alike, keyed different and/or master keyed per supplied schedule. Locks will have passed BHMA/ANSI Grade 1 performance requirements.

DEADBOLT LOCK — Olympus R078 (drawer)

Cabinet locks: Provide R078 (drawer) easily rekeyable cabinet locks such as manufactured by Olympus Lock, Inc. All locks to include: working cylinder slides and forwardly removable cylinders for rekeying without totally disassembling lock body. Provide spacers as required for flush fit with outside face of casework material. Locks will include 2 keys per lock and shall be capable of being keyed alike, keyed different and/or master keyed per supplied schedule.

SHOWCASE RATCHET LOCK — Olympus 429R

Ratchet locks: Provide Olympus 429R easily rekeyable ratchet lock such as manufactured by Olympus Lock, Inc. All locks to include: working cylinder slides and forwardly removable cylinders for rekeying without totally disassembling lock body. Locks will include 2 keys per lock and shall be capable of being keyed alike, keyed different and/or master keyed per supplied schedule.

Architectural Specifications

The architectural specifications listed in our catalog are also available on our website at www.olympus-lock.com

► STD CYLINDER Schlage C Keyway

5 PIN - 2,000 key changes available under a master key system

6 PIN - 4,000 key changes available under a master key system

DEADBOLT LOCK —

Olympus 7005C (door) - Olympus 8005 (drawer)

Cabinet locks: Provide Olympus 7005C (door) and Olympus 8005C (drawer) easily rekeyable cabinet locks such as manufactured by Olympus Lock, Inc. All locks to include: forwardly removable cylinders for rekeying without totally disassembling lock body. Furnish 2 keys per lock and bar or slotted strikes as required. Spacers to be provided as required for flush fit with outside face of casework material. Locks shall be capable of being keyed alike, keyed different and/or master keyed per supplied schedule. Locks will have passed BHMA/ANSI Grade 1 performance requirements.

CAM LOCK — *Olympus 820S*

Cabinet locks: Provide Olympus 820S (cam) locks. Locks shall be easily rekeyable such as manufactured by Olympus Lock, Inc. All locks will include easily removable cylinders for rekeying without totally disassembling lock body. Locks shall be capable of being keyed alike, keyed different and/or master keyed per supplied schedule. Furnish 2 keys per lock.

SHOWCASE RATCHET LOCK — *Olympus 829R*

Cabinet locks: Provide Olympus 829R sliding door ratchet lock such as manufactured by Olympus Lock, Inc. All locks will include easily removable cylinders for rekeying. Locks shall be capable of being keyed alike, keyed different and/or master keyed per supplied schedule. Furnish 2 keys per lock. Locks will comply with clause 6.3 (8.2~8.4) of Grade 1 ANSI/BHMA A156.11 ANSI standards.

LATCH LOCK (DEAD LATCH) — *Olympus 850S (drawer)*

Cabinet locks: Provide Olympus 850S (drawer) locks. Locks shall be easily rekeyable such as manufactured by Olympus Lock, Inc. All drawer latch locks to provide a deadlocking function, forwardly removable cylinders for rekeying without totally disassembling lock body, and spacers as required for flush fit with outside face of casework material. Furnish 2 keys per lock and strikes as required. Locks shall be capable of being keyed alike, keyed different and/or master keyed per supplied schedule.

LATCH LOCK (SPRING LATCH) —

Olympus L78R / L78L (door) - L78V (drawer)

Cabinet locks: Provide Olympus L78 (door) and Olympus L78 (drawer) latch locks. Locks shall be easily rekeyable such as manufactured by Olympus Lock, Inc. All latch locks to provide: forwardly removable cylinders for rekeying without totally disassembling lock body. Locks shall provide for field reversible handings such that keyway will remain in the vertical position regardless of installation as a door or a drawer. Spacers to be provided for flush fit with outside face of casework material. Furnish 2 keys per lock and strikes as required. Locks shall be capable of being keyed alike, keyed different and/or master keyed per supplied schedule.

► LESS CYLINDER Sargent

6 PIN - 4,000 key changes available with master key system

DEADBOLT LOCK — *Olympus 754LC (door) - Olympus 854LC (drawer)*

Cabinet lock: Provide Olympus 754LC (door) and Olympus 854LC (drawer) easily rekeyable locks such as manufactured by Olympus Lock, Inc. All locks to include: forwardly removable cylinders for rekeying without totally disassembling lock body, and spacers as required for flush fit with outside face of casework material. All deadbolt locks to be non-handed and to provide dedicated door and drawer functions in order to maintain keyway verticality when installed. All lock bodies to accept Sargent C480-2 (13-3457) deadbolt cylinder as supplied by Sargent Manufacturing Company.

► IC CORE Schlage Full-Size

5 PIN - 2,000 key changes available master key system

6 PIN - 4,000 key changes available master key system

DEADBOLT LOCK —

Olympus 777ICP-DR (door) - Olympus 888ICP-DW (drawer)

Cabinet locks: Provide 777ICP-DR (door) and 888ICP-DW (drawer) locks as manufactured by Olympus Lock, Inc. All lock bodies to accept Schlage large format interchangeable core cylinders such as supplied by Schlage Lock Company. Locks will provide dedicated door and drawer functions in order to maintain keyway verticality when installed. Deadbolt door locks to be non-handed. Locks will have passed BHMA/ANSI Grade 1 performance requirements.

CAM LOCK — *Olympus 920LM/DM*

Cabinet locks: Provide 920LM/DM (cam lock) such as manufactured by Olympus Lock, Inc. Cam locks will be reversible between lost motion or key retaining. All locks to accept Schlage large format interchangeable core cylinders such as supplied by Schlage Lock Company. All locks will provide disassembly/reassembly features to facilitate on-the-job maintenance. Locks will have passed BHMA/ANSI Grade 1 performance requirements.

SHOWCASE RATCHET LOCK — *Olympus 929R*

Cabinet locks: Provide Olympus 929R sliding door ratchet lock such as manufactured by Olympus Lock, Inc. All locks to accept Schlage large format interchangeable core cylinders such as supplied by Schlage Lock Company. Locks will comply with clause 6.3 (8.2~8.4) of Grade 1 ANSI/BHMA A156.11 ANSI standards.

LATCH LOCK — *Olympus L92V Series*

Cabinet locks: Provide Olympus L92V latch lock such as manufactured by Olympus Lock, Inc. All locks to accept Schlage large format interchangeable core cylinders such as supplied by Schlage Lock Company. Include strike as required.

► IC CORE Sargent

6 PIN - 4,000 key changes available with master key system

CAM LOCK — *Olympus SA54 Series (cam lock)*

Cabinet locks: Provide Olympus SA54 Series (cam lock) such as manufactured by Olympus Lock, Inc. Lock to accept 6 pin Sargent interchangeable core cylinders such as manufactured by Sargent Manufacturing Company. Cam locks to be reversible between lost motion and key retaining and include disassembly/reassembly features to facilitate on-the-job maintenance.

Architectural Specifications

The architectural specifications listed in our catalog are also available on our website at www.olympus-lock.com

► IC CORE Small Format

6 PIN - 4,000 key changes available with master key system
7 PIN - 16,000 key changes available with master key system

CAM LOCK — Olympus 720 Series

Cabinet locks: Provide Olympus 720 Series (cam lock) such as manufactured by Olympus Lock, Inc. Lock to accept 6 or 7 pin small format interchangeable core cylinders such as supplied by Best, Arrow, Falcon, KSP or equivalent. Cam locks to be reversible between lost motion and key retaining and include disassembly/reassembly features to facilitate on-the-job maintenance. Locks will have passed BHMA/ANSI Grade 1 performance requirements.

DEADBOLT LOCK — Olympus 721DR (door) / 721DW (drawer)

Cabinet locks: Provide Olympus 721DR (door) and Olympus 721DW (drawer) such as manufactured by Olympus Lock, Inc. Locks to accept 6 or 7 pin small format interchangeable core cylinders such as supplied by Best, Arrow, Falcon, KSP or equivalent. All locks to be field reversible and to provide dedicated door and drawer functions in order to maintain keyway verticality when installed. Include strikes and spacers as required for flush fit with outside face of casework material. Locks will provide disassembly/reassembly features to facilitate on-the-job maintenance. Locks will have passed BHMA/ANSI Grade 1 performance requirements.

SLIDING DOOR LOCK — Olympus 722S (standard mount) - 722S-TBM (through-bolt mount)

Cabinet locks: Provide Olympus 722 Series sliding door lock such as manufactured by Olympus Lock, Inc. Lock to accept 6 or 7 pin small format interchangeable core cylinders such as supplied by Best, Arrow, Falcon, KSP or equivalent.

DEADBOLT LOCK — Olympus 725RD / 725MD Series

Cabinet locks: Provide Olympus 725 Series deadbolt door and drawer locks such as manufactured by Olympus Lock, Inc. Locks to accept 6 or 7 pin small format interchangeable core cylinders such as supplied by Best, Arrow, Falcon, KSP or equivalent. Locks will provide dedicated door and drawer functions in order to maintain keyway verticality when installed. Include strikes as required. Locks will have passed ANSI Grade 1 cycle testing.

LATCH LOCK — Olympus 725RL / 725ML Series

Cabinet locks: Provide Olympus 725 Series door and drawer latch locks such as manufactured by Olympus Lock, Inc. Locks to accept 6 or 7 pin small format interchangeable core cylinders such as supplied by Best, Arrow, Falcon, KSP or equivalent. Locks will provide dedicated door and drawer functions in order to maintain keyway verticality when installed. Include strikes as required. Locks will have passed ANSI Grade 1 cycle testing.

MAILBOX LOCK — Olympus 728MBL

Cabinet locks: Provide Olympus 728MBL mailbox locks such as manufactured by Olympus Lock, Inc. Locks to accept 6 or 7 pin small format interchangeable core cylinders such as supplied by Best, Arrow, Falcon, KSP or equivalent.

SHOWCASE RATCHET LOCK — Olympus 729R

Cabinet locks: Provide Olympus 729R sliding door ratchet lock such as manufactured by Olympus Lock, Inc. Locks to accept 6 or 7 pin small format interchangeable core cylinders such as supplied by Best, Arrow, Falcon, KSP or equivalent. Locks will comply with clause 6.3 (8.2~8.4) of Grade 1 ANSI/BHMA A156.11 ANSI standards.

LATCH LOCK — Olympus L72V Series

Cabinet locks: Provide Olympus L72V Series latch lock such as manufactured by Olympus Lock, Inc. Lock to accept 6 or 7 pin small format interchangeable core cylinders such as supplied by Best, Arrow, Falcon, KSP or equivalent. Include strike as required.

LATCH LOCK (DEAD LATCH) — Olympus 950IC (drawer)

Cabinet locks: Provide Olympus 950IC (drawer) locks. All drawer latch locks to provide a deadlocking function, strikes and spacers as required for flush fit with outside face of casework material. Locks to accept 6 or 7 pin small format interchangeable core cylinders such as supplied by Best, Arrow, Falcon, KSP or equivalent.

► BEST KEYWAY Utility Cam Lock

6 PIN - 4,000 key changes available with master key system
7 PIN - 16,000 key changes available with master key system

CAM LOCK — Olympus B7 Series

Cabinet locks: Provide Olympus B7 Series (cam lock) such as manufactured by Olympus Lock, Inc. Cam locks to be reversible between lost motion and key retaining and include disassembly/reassembly features to facilitate on-the-job maintenance.

► IC CORE Medeco/Yale

6 PIN - 4,000 key changes available with master key system

DEADBOLT LOCK — Olympus 931DR (door) / 931DW (drawer)

Cabinet lock: Provide Olympus 931DR (door) and Olympus 931DW (drawer) locks such as manufactured by Olympus Lock, Inc. All locks to accept Medeco 6-pin interchangeable core cylinder #32-0201 or Yale #1210 series 6-pin interchangeable core cylinder. Locks will include spacers as required for flush fit with outside face of casework material. Include bar or slotted strikes as required. All deadbolt locks to be non-handed and to provide dedicated door and drawer functions in order to maintain keyway verticality when installed. All locks will be manufactured with disassembly/reassembly features to facilitate on-the-job maintenance.

CAM LOCK — Olympus ME93 Series (cam lock)

Cabinet locks: Provide Olympus ME93 Series (cam lock) such as manufactured by Olympus Lock, Inc. Lock to accept Medeco 6-pin interchangeable core cylinder #32-0201. Cam locks to be reversible between lost motion and key retaining and include disassembly/reassembly features to facilitate on-the-job maintenance.

CAM LOCK — Olympus YA93 Series (cam lock)

Cabinet locks: Provide Olympus YA93 Series (cam lock) such as manufactured by Olympus Lock, Inc. Lock to accept Yale #1210 series 6-pin interchangeable core cylinder. Cam locks to be reversible between lost motion and key retaining and include disassembly/reassembly features to facilitate on-the-job maintenance.

► IC CORE Corbin/Russwin

6 PIN - 4,000 key changes available with master key system
7 PIN - 16,000 key changes available with master key system

DEADBOLT LOCKS — Olympus CR1125RD (door/drawer)

Cabinet locks: Provide Olympus CR1125RD (door/drawer) lock bodies as manufactured by Olympus Lock, Inc. Locks to accept 6 or 7 pin interchangeable core cylinders as supplied by Corbin/Russwin. All deadbolt locks to provide dedicated door and drawer functions in order to maintain keyway verticality when installed. All locks to be manufactured with disassembly/reassembly features to facilitate on-the-job maintenance.

LATCH LOCKS — Olympus CR1125RL (drawer)

Cabinet locks: Provide Olympus CR1125RL (drawer) lock bodies as manufactured by Olympus Lock, Inc. Locks to accept 6 or 7 pin interchangeable core cylinders as supplied by Corbin/Russwin. All latch locks to provide dedicated drawer function in order to maintain keyway verticality when installed. All locks to be manufactured with disassembly/reassembly features to facilitate on-the-job maintenance.

CAM LOCK — Olympus CR25 Series (cam lock)

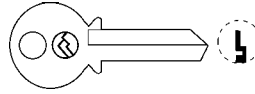
Cabinet locks: Provide Olympus CR25 Series (cam lock) such as manufactured by Olympus Lock, Inc. Lock to accept 6 or 7 pin Corbin/Russwin interchangeable core cylinders such as manufactured by Corbin/Russwin. Cam locks to be reversible between lost motion and key retaining and include disassembly/reassembly features to facilitate on-the-job maintenance.

► BP Series Mountain Brand Padlocks



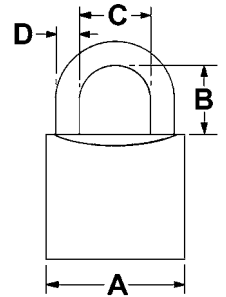
BP SERIES KEYBLANKS

Item	Fits Padlock	Packaged
KB220	BP075	50/box
KB225	BP100	50/box
KB235	BP125	50/box
KB240	BP150/BP175	50/box
KB250	BP200	50/box



SPECIFICATIONS

Body: Solid brass body
Cylinder: Pin tumbler
Shackle: Hardened steel
Internal parts: Brass
Locking: Heel and toe
Keying: Keyed different or keyed alike
Special note on our keyed different padlocks:
 Keyed different codes are not guaranteed against interchange.
Use: All weather, indoor/outdoor
Keys: Includes 3 keys per lock
Packaged: Blister packed
Sales unit: Sold in full box quantities only.



MOUNTAIN BRAND - BLISTER PACKED PADLOCKS

Item	Width	Keying	Shackle	Box Qty.	Box Weight	Case Qty.
BP075	3/4" — 20mm	KD, KA 30	Regular	10	1.1 lbs.	200
BP100	1" — 25mm	KD, KA 40,45	Regular	10	1.1 lbs.	200
BP125	1-1/4" — 30mm	KD, KA 51	Regular	10	2.1 lbs.	100
BP125LS	1-1/4" — 30mm	KD, KA 51,59	Long	10	3.1 lbs.	50
BP150	1-1/2" — 40mm	KD, KA 60,61,65	Regular	10	3.9 lbs.	100
BP150LS	1-1/2" — 40mm	KD, KA 60,65	Long	10	4.7 lbs.	50
BP175	1-3/4" — 45mm	KD, KA 70,75	Regular	5	2.9 lbs.	75
BP200	2" — 50mm	KD, KA 80	Regular	5	3.1 lbs.	75

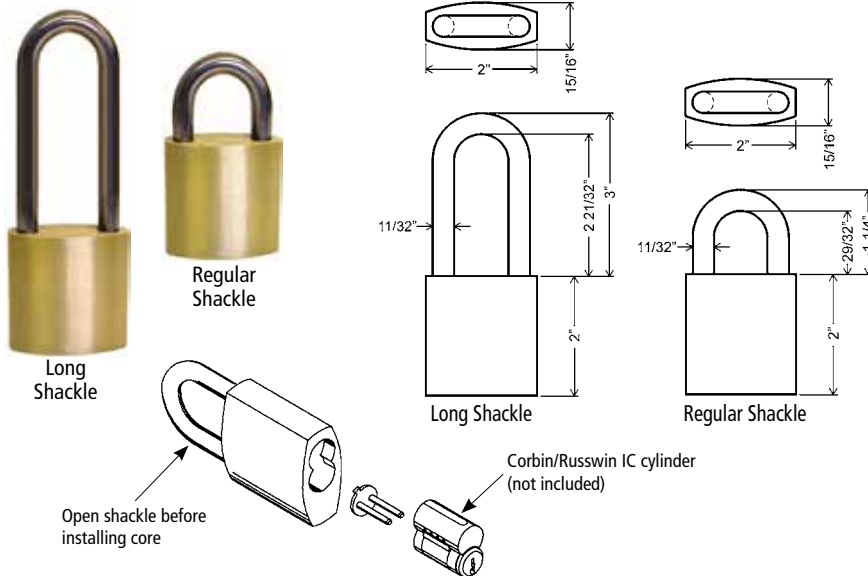
Warning: This product contains a chemical known to the State of California to cause cancer and birth defects or other reproductive harm.

PADLOCK DIMENSIONS

Item	A	B	C	D
BP075	3/4"	3/8"	3/8"	1/8"
BP100	1"	1/2"	1/2"	5/32"
BP125	1-1/4"	5/8"	5/8"	7/32"
BP125-LS	1-1/4"	2-1/8"	5/8"	7/32"
BP150	1-1/2"	7/8"	7/8"	1/4"
BP150-LS	1-1/2"	2-1/2"	7/8"	1/4"
BP175	1-3/4"	1"	1"	9/32"
BP200	2"	1-1/8"	1"	11/32"

Note: All fractional measurements are approximate.

► CRB200 For Corbin/Ruswin IC Cores



SPECIFICATIONS

Body: Extruded brass
Locking: Ball bearing heel and toe
Body width: 2"
Body height: 2"
Shackle: Stainless steel
Finish: BHMA 606 Satin Brass (US4)

CYLINDER INFORMATION

Cores: Not included
Accepts: Corbin/Ruswin 6-pin interchangeable core cylinders
Standard function: Key removable in locked or unlocked position

REGULAR SHACKLE

Shackle opening: 7/8"
Packed: Each
Weight each: 0.68 lbs.

LONG SHACKLE

Shackle opening: 2-5/8"
Packed: Each
Weight each: 0.78 lbs.

Item	Shackle	Keyway
CRB200-IC6	Regular	Accepts Corbin/Ruswin 6-pin IC Cylinders
CRB200-IC6-LS	Long	Accepts Corbin/Ruswin 6-pin IC Cylinders



OLYMPUS LOCK, INC.

The cabinet lock innovators.

18424 Highway 99
Lynnwood, WA 98037
206-362-3290 | 800-525-0954
Fax 206-362-3569
info@olympus-lock.com
www.olympus-lock.com



facebook.com/OlympusLock



twitter.com/OlympusLock



youtube.com/OlympusLock



enews sign up: olympus-lock.com



For more information, installation instructions, technical videos or pre-written architectural specifications, please visit our website at:

www.olympus-lock.com

Copyright © 2016 Olympus Lock, Inc. all rights reserved. Other products and companies referred to herein are trademarks or registered trademarks of their respective companies or mark holders. Information and specifications in this document are subject to change without notice at any time. The information provided in this document is as complete and correct as is reasonably possible. We cannot guarantee the accuracy of information provided to us by other manufacturers as they are under no obligation to notify us of changes to products or specifications. Printed in USA. 11/16 Literature part-number PC-1611.