

QuickStart Guide C-4000 ZOOM

Need more help?
visit <http://support.olympusamerica.com>
for online automated help

OLYMPUS

Olympus America, Inc.
Two Corporate Center Drive
Melville, NY 11747-3157

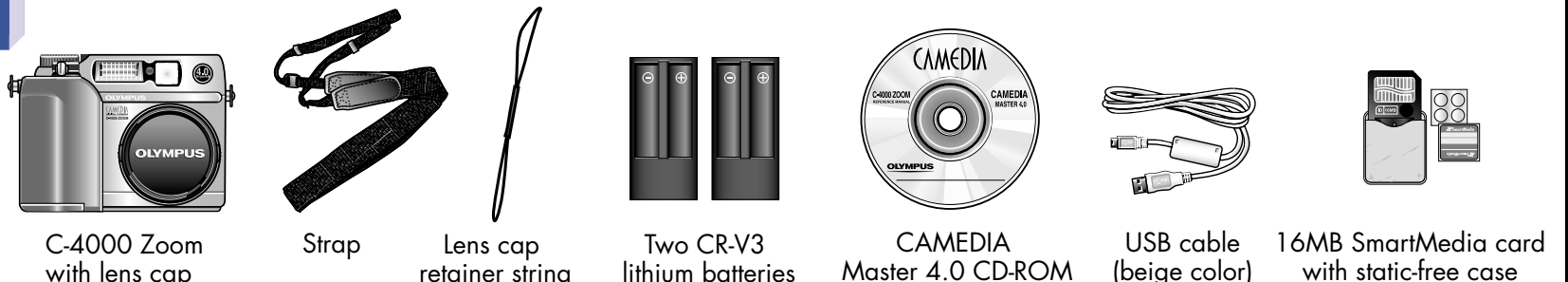
It is strongly recommended that you follow these step-by-step numbered instructions to set up and quickly begin using your new C-4000 Zoom digital camera.

START HERE

For more detailed instructions on advanced features, please refer to the printed Basic Manual included in your package, or the Reference Manual on the CD-ROM.

1 UNPACKING THE BOX CONTENTS

Gather your C-4000 Zoom and all the parts as shown in the illustrations. You'll need these to complete the steps for the camera set-up procedures that follow.



The following items are also included in the C-4000 Zoom package: Video cable, SmartMedia card instructions, Basic Manual, warranty card, registration card, safety precautions booklet, and SmartMedia write-protect adhesive seals.

2 PREPARE THE CAMERA FOR USE

Before you begin using your Olympus C-4000 Zoom Digital Camera...

a. Load the batteries

The CR-V3 lithium batteries included with your C-4000 Zoom are much more powerful than standard AA alkaline batteries. Please note that they are not rechargeable.

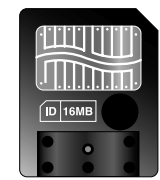
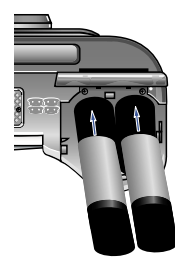
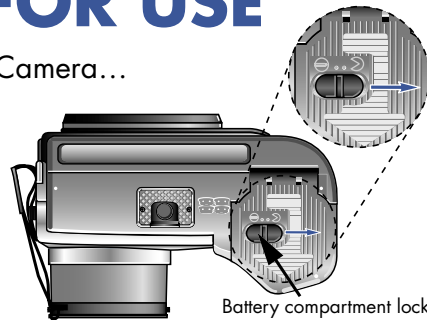
Load the two CR-V3 lithium batteries. Note they can only be inserted with the indentations facing each other. The contact terminals must be inserted first, as shown at right. Never force battery insertion. When loading CR-V3 batteries ignore the illustration on the camera body.

If you are loading four AA type batteries into the compartment, load them as indicated in the illustration on the camera body. Close the cover and lock the battery compartment door.

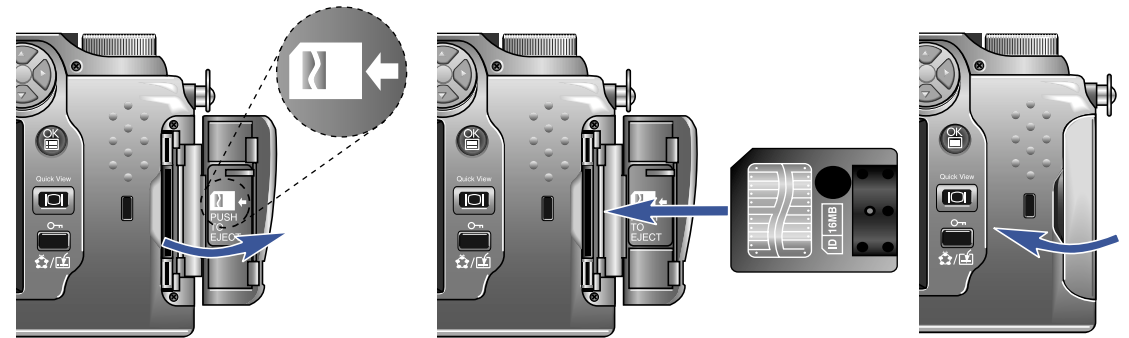
TIP: For best results, Olympus strongly recommends using four AA nickel metal hydride (NiMH) rechargeable batteries. An optional Olympus AC adapter also is available, and is recommended when downloading images to ensure a consistent power supply. See the C-4000 Zoom Basic Manual for more information on battery use.

b. Insert the SmartMedia™ Card

The SmartMedia card is where the camera stores your pictures. The pictures you take remain on the SmartMedia card even when the camera is turned off and/or the batteries are removed.



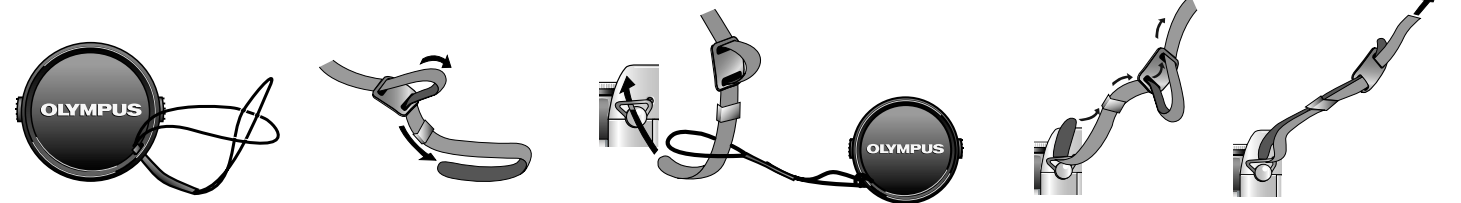
Avoid opening the card cover, removing the SmartMedia card, or removing the batteries while the camera is ON. Doing so could damage all pictures stored on the SmartMedia card.



To remove a SmartMedia card, push it into the camera, and then release it. The card partially ejects and can now be removed.

c. Attach the carrying strap and lens cap retainer string (OPTIONAL)

We recommend that you attach the strap and lens cap retainer string at this time to make the camera easier to handle and prevent loss of the lens cap. Attach the strap as illustrated.

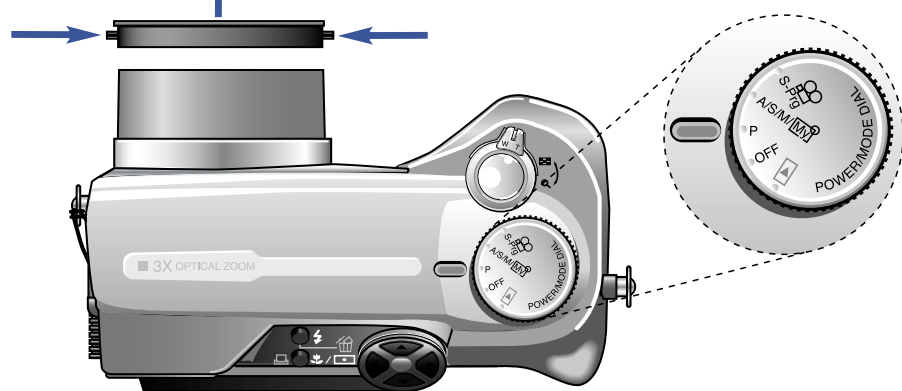


3 TURNING ON THE CAMERA

The camera Power/Mode dial is used to select the various operation modes.

a. Turn the camera ON

- Squeeze the tabs on the sides of the lens cap to remove it.
- Turn the Power/Mode dial counter clock-wise to the "P" position. The monitor will activate briefly, and then turn off.



TIP: To maximize battery life, the C-4000 Zoom features a power saving mode in which the camera enters a sleep mode after approximately three (3) minutes of non-use. Press the shutter button or zoom lever to wake up the camera.

b. Set the Date and Time (OPTIONAL)

Although this is not required, it is recommended that you set the date and time. This affects the way image files are named, and each picture will be recorded with this information.

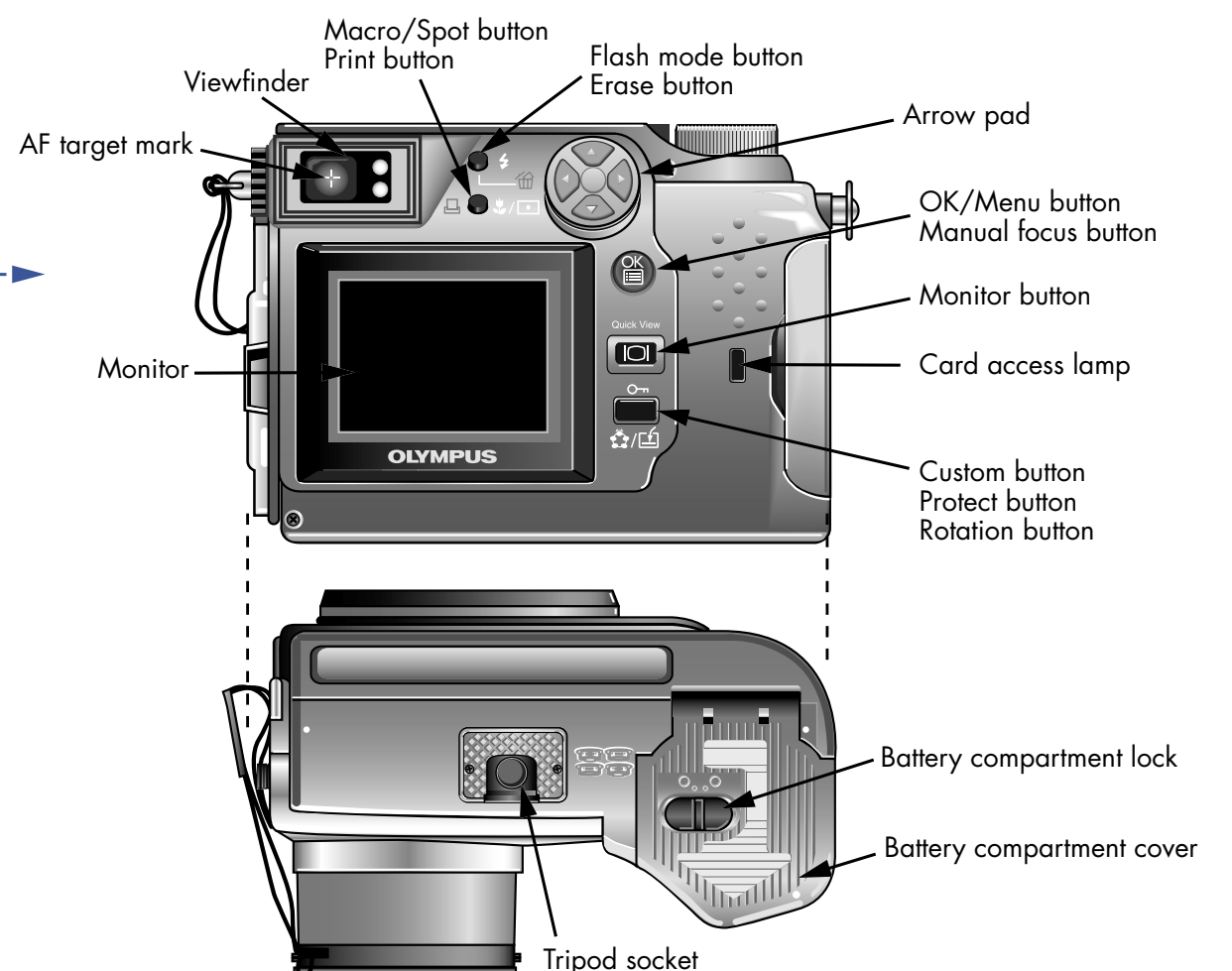
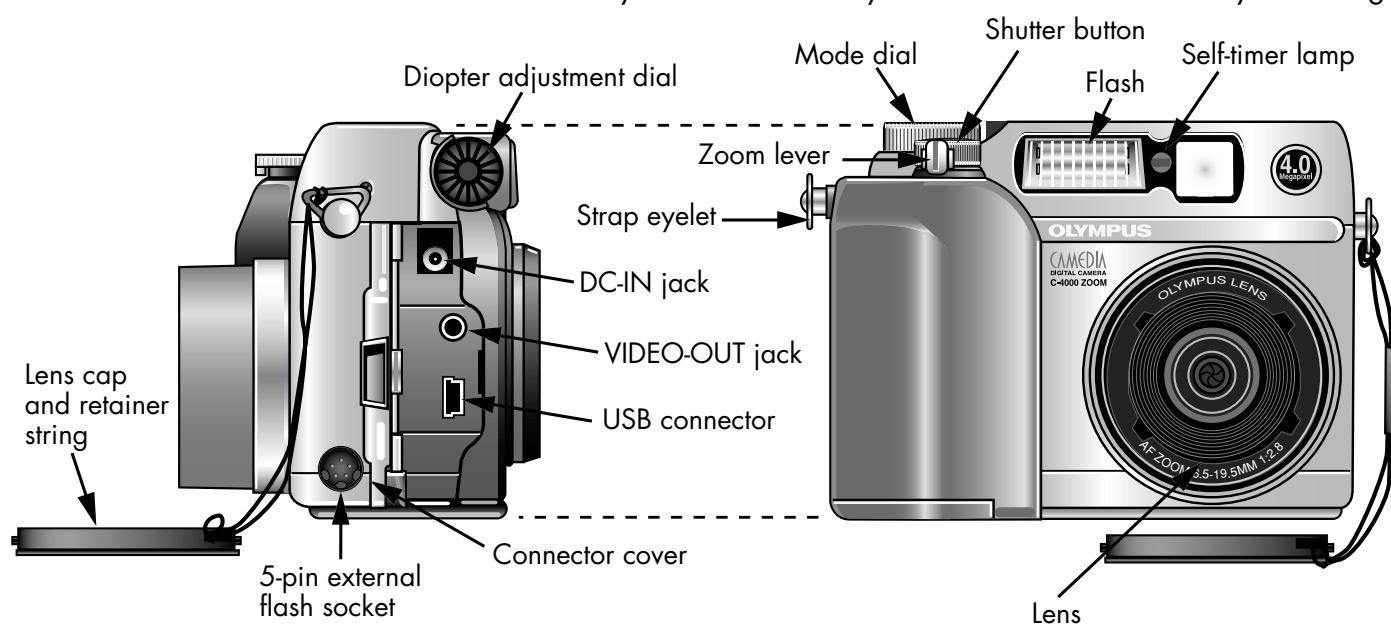
- Set the mode dial to "P" and press **OK**. The monitor turns on and the top menu appears.
- Press **▲** on the arrow pad to select MODE MENU.
- To access the Date/Time menu, press **▲** three (3) times to scroll to the SET tab. Now press **▶**.
- Press **▲** five (5) times to select **⌚**, and then press **▶**.
- Use the **▲**/**▼** keys to select the desired date format (usually M, D, Y).
- Press **▶** to proceed to the next field. Adjust the date and time in the appropriate fields using the **▲**/**▼** keys. Repeat the process until all date/time fields have been set.

Note: Time is entered using the 24-hour format.

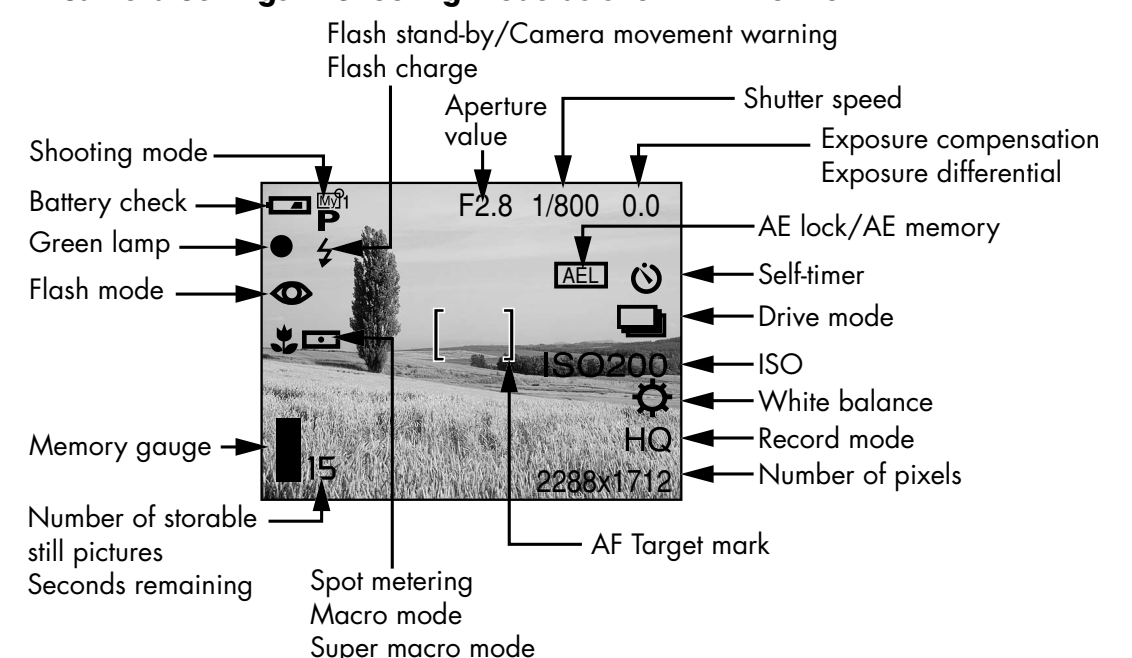
- Press **OK** twice to set the date and time and exit the menu.

c. Camera Diagram and Controls

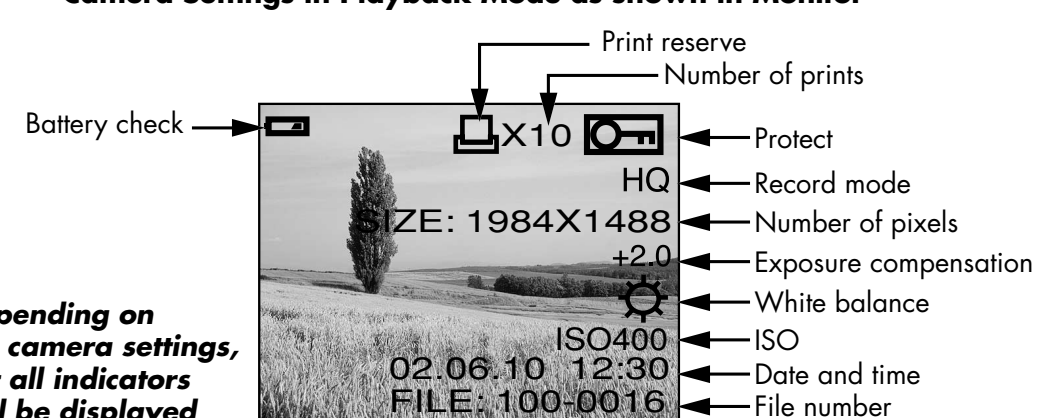
Now take a moment to familiarize yourself with the key areas of camera controls by reviewing the illustrations.



Camera Settings in Shooting Mode as shown in Monitor



Camera Settings in Playback Mode as shown in Monitor



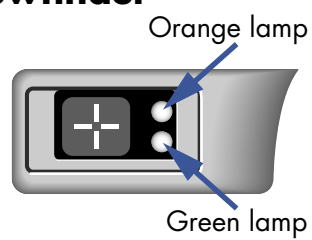
Note: Depending on the camera settings, not all indicators will be displayed

4 TAKING PICTURES

There are two ways to compose your subject—with the viewfinder or using the monitor. Depending on the shooting situation, there may be advantages to each method. Please refer to the printed Basic Manual for more information.

a. Taking a Picture with the Viewfinder

- Turn the camera Power/Mode dial to "P" (Program shooting).
- Frame your subject using the crosshairs in the viewfinder.
- Press the shutter button halfway.



The C-4000 Zoom confirms the focus and exposure are properly set when you see a steady green lamp in the viewfinder. The orange lamp informs you that the flash is recommended and/or recharging (when blinking); or ready to fire (when steady).

- Press the shutter button completely to take the picture. A short beep confirms your picture has been taken.

b. Taking a Picture with the Monitor

- Press \square once while in shooting mode, and frame your subject using the full-color monitor.

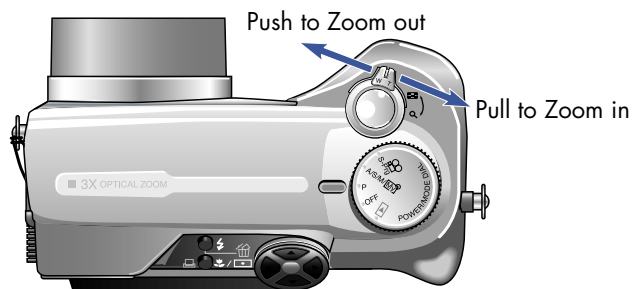


Icons representing camera settings appear on the monitor, telling you important information such as the flash, aperture, shutter speed, exposure compensation, image quality modes, and the number of frames remaining.

- Press the shutter button halfway. Check the status of the green and orange lamps as described in "a".
- Press the shutter button completely to take the picture. A short beep confirms your picture has been taken.

c. Zooming

The C-4000 Zoom features a zoom lens, allowing you to get closer to the action, or capture wide-angle shots and get everything into the picture.



- Pull the lever toward "T" to choose telephoto shooting and get closer to your subject.
- Push it toward "W" to choose wide-angle shooting.

d. Flash Modes

Press \blacksquare to cycle through the C-4000's flash modes:

Flash Icon	Flash Mode	Description
No icon	Auto-flash	The camera automatically decides if the flash is needed.
	Red-eye Reduction Flash	Reduces incidence of red-eye by emitting pre-flashes to shrink pupil size before firing the main flash. The strobe effect is normal operation for this mode.
	Fill-in Flash	The flash always fires with every picture.
	Slow synchronization	Adjusts the flash for special situations requiring slow shutter speeds.
	Flash off	Turns the flash off for times when flash photography is prohibited or not desired. The flash never fires.

e. Number of Storable Pictures

Your C-4000 Zoom Digital Camera package includes a 16 MB SmartMedia card. In the default quality setting of HQ mode (High Quality), you have enough capacity to store approximately 16 pictures.

This mode allows you to capture high quality images with medium file sizes. The HQ mode is suitable for most shooting situations.

See the C-4000 Zoom Basic Manual for complete descriptions of each quality mode, and the storable frame capacity for the various resolution modes.

TIP: To find out how many frames you have left, turn on the monitor and look for the number in the lower left corner. Remember, you can always delete unwanted pictures to make room for more. (See Step 5).

5 VIEWING AND ERASING PICTURES

With the C-4000 Zoom, you can easily view photos and delete the ones you don't want.

a. Viewing Pictures

There are two ways to access the Playback mode:

- Turn the Power/Mode dial to \square .
- OR**
- If the camera is in the shooting mode with the lens barrel extended, press \square twice in rapid succession (Quick View).

The last picture taken appears in the monitor. Use \leftarrow to scroll through the images saved on the SmartMedia card.

When you are finished reviewing your pictures:

- Turn the Power/Mode dial to the OFF position.
- OR**
- To return to the shooting mode, press \square once again, or press the shutter button halfway.

b. Erasing Pictures

The beauty of digital photography is your ability to keep the photos you want, delete the rest, and reuse empty memory space to take new pictures. The C-4000 Zoom offers two ways to permanently erase unwanted digital photos:

Single-Frame Erase: Deletes only the picture currently displayed in the monitor.

Once erased, pictures cannot be restored.

- Turn the camera Power/Mode dial to \square .
- Use the arrow keys to display the picture you want to erase.
- Press \blacksquare .
- Use the \leftarrow keys to highlight YES, and press \blacksquare . The picture is now erased.

All-Frame Erase: Deletes all pictures on the SmartMedia card in one operation, except for pictures you have protected.

Once erased, pictures cannot be restored.

- Turn the camera Power/Mode dial to \square .
- Press \blacksquare , then press \leftarrow to select MODE MENU.
- Use \leftarrow to select the CARD tab, then press \leftarrow twice to access the CARD SETUP screen.
- The ALL ERASE option is highlighted. Press \blacksquare .
- As a safeguard, the C-4000 Zoom will ask you to select YES or NO to confirm erasing, as this process permanently deletes all unprotected pictures. Select YES using the arrow keys and press \blacksquare .

6 CONNECTING THE CAMERA TO A COMPUTER

TIP: Olympus recommends the use of an optional AC adapter to ensure a consistent power supply when downloading images.

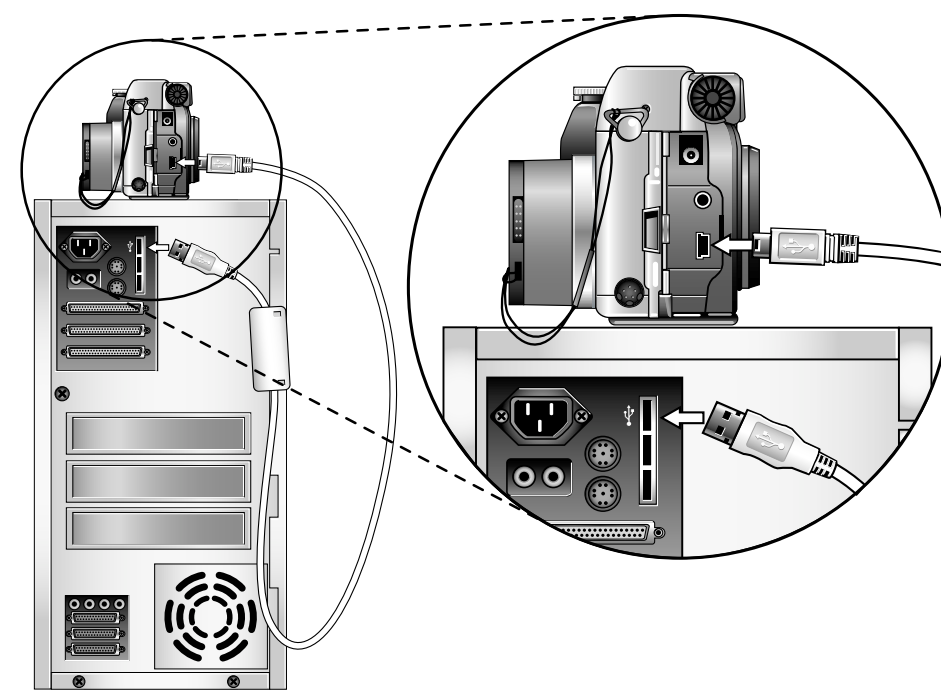
Make sure that the camera is turned off before connecting it to your computer.

Olympus makes it simple to connect the C-4000 Zoom to your computer.

- Turn the camera off.
- Plug the supplied USB cable into the ports on your camera and computer as illustrated at right.

Windows 98 users must install the "USB Driver for Windows 98" software before connecting the C-4000 Zoom to the computer. Refer to the Software Installation Guide for complete information.

- Put the camera into computer communications mode by turning the Power/Mode dial to \square .



7 INSTALLING THE CAMERA SOFTWARE

You've now mastered the basic functionality of your new Olympus C-4000 Zoom digital camera! You are now ready to begin exploring the possibilities that digital photography brings to your computer. Activities such as photo editing, e-mailing, printing, and much more are only steps away!

About the Olympus CAMEDIA Master 4.0 CD-ROM

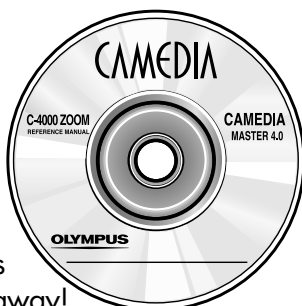
Your Olympus C-4000 Zoom Digital Camera comes bundled with a suite of software and documentation. The CD includes:

- **CAMEDIA Master 4.0:** To download pictures from the camera, view, organize, retouch, share, and print your digital photos and movies.
- **USB Driver for Windows 98:** This utility must be installed to allow the camera to communicate with your computer if it uses the Microsoft Windows 98 operating system.
- **Adobe Acrobat Reader 4.0:** To access the C-4000 Zoom Reference Manual stored on the CD-ROM in PDF format.
- **Olympus C-4000 Zoom Reference Manual:** A complete reference guide in digital form, saved on the CD in PDF format.

You may or may not need to install all of these applications, depending upon your type of computer and whether you have previously installed some titles.

You are now ready to install the computer software.

- Open the **CAMEDIA Master 4.0 CD-ROM** package and locate the **Software Installation Guide** in the language you wish to use.
- Continue to follow the step-by-step instructions for installing the software, and enjoy your new digital photo processing capabilities!



Additional Camera Features

The C-4000 Zoom offers a host of advanced features to expand your creativity. Here's just a small sampling. See the C-4000 Zoom Basic Manual for details on these capabilities, and more!

- **Advanced photographic control:** Aperture Priority, Shutter Priority, and full Manual modes are available to give you complete control of your photography.
- **Attachable conversion lenses:** Extend the optical capabilities of the camera.
- **Macro Mode and Super Macro Mode:** For taking extremely tight close-up pictures.
- **Noise Reduction Mode:** Enjoy low-light photography with astonishing clarity!
- **Movie Mode:** Yes, the C-4000 Zoom records movies! (Movie Mode does not record sound.)
- **6 Scene Program Shooting Modes:** Easily select the best camera settings that most closely match your shooting situation.
- **External flash synchronization:** Use your camera in a studio setup, or use an external flash system of your choice.
- **Video Monitoring:** View your pictures and movies directly on a TV.
- **Protecting Pictures:** Prevents you from accidentally erasing pictures.

TIP: Remember to complete and return your Registration Card, and keep all camera documentation handy.

For additional help, call (888) 553-4448 8:00AM - 10:00PM Eastern Time (Monday - Friday)