

# **Ω OMEGA<sup>®</sup>**

## **ENGINEERING, INC.**

### **DAQ-12** **Data Acquisition Adapter** For 16 bit ISA compatible machines

### **Users Manual**

INTERFACE CARDS FOR PERSONAL COMPUTERS

OMEGA ENGINEERING, INC.  
One Omega Drive  
P.O. Box 4047  
Stamford, CT 06907-4047

TEL: (203) 359-1660  
FAX: (203) 359-7700  
Toll free: 1-800-826-6342  
E-mail: [das@omega.com](mailto:das@omega.com)

<http://www.dasiee.com>

## WARRANTY/DISCLAIMER

OMEGA ENGINEERING, INC., warrants this unit to be free of defects in materials and workmanship for a period of **13 months** from the date of purchase. OMEGA warranty adds an additional one (1) month grace period to the normal **one (1) year product warranty** to cover shipping and handling time. This ensures that OMEGA's customers receive maximum coverage on each product. If the unit should malfunction, it must be returned to the factory for evaluation. OMEGA's Customer Service Department will issue an Authorized Return (AR) number immediately upon phone or written request. Upon examination by OMEGA, if the unit is found to be defective it will be repaired or replaced at no charge. OMEGA's warranty does not apply to defects resulting from any action of the purchaser, including but not limited to mishandling, improper interfacing, operation outside design limits, improper repair or unauthorized modification. This WARRANTY is VOID if the unit shows evidence of having been tampered with or shows evidence of being damaged as a result of excessive corrosion; or current, heat, moisture or vibration; improper specification; misapplication; misuse or other operating conditions outside of OMEGA's control. Components which wear are not warranted, including but not limited to contact points, fuses and triacs.

**OMEGA is pleased to offer suggestions on the use of its various products. However, OMEGA neither assumes responsibility for any omissions or errors nor assumes liability for any damages that result from the use of its products in accordance with information provided from OMEGA, either verbal or written. OMEGA warrants only that the parts manufactured by it will be as specified and free of defects. OMEGA MAKES NO OTHER WARRANTIES OR REPRESENTATIONS OF ANY KIND WHATSOEVER, EXPRESSED OR IMPLIED, EXCEPT THAT OF TITLE, AND ALL IMPLIED WARRANTIES INCLUDING ANY WARRANTY OF MERCHANTABILITY AND FITNESS FOR A PARTICULAR PURPOSE ARE HEREBY DISCLAIMED. LIMITATION OF LIABILITY: The remedies of purchaser set forth herein are exclusive and the total liability of OMEGA with respect to this order, whether based on contract, warranty, negligence, indemnification, strict liability or otherwise, shall not exceed the purchase price of the component upon which liability is based. In no event shall OMEGA be liable for consequential, incidental or special damages.**

CONDITIONS: Equipment sold by OMEGA is not intended to be used, nor shall it be used: (1) as a "Basic Component" under 10 CFR 21 (NRC), used in or with any nuclear installation or activity, medical application or used on humans. Should any Product(s) be used in or with any nuclear installation or activity, medical application, used on humans or misused in any way, OMEGA assumes no responsibility as set forth in our basic WARRANTY/DISCLAIMER language, and additionally, purchaser will indemnify OMEGA and hold OMEGA harmless from any liability or damage whatsoever arising out of the use of the Product(s) in such a manner.

## RETURN REQUESTS/INQUIRIES

Direct all warranty and repair requests/inquiries to the OMEGA Customer Service Department. BEFORE RETURNING ANY PRODUCT(S) TO OMEGA, PURCHASER MUST OBTAIN AN AUTHORIZED RETURN (AR) NUMBER FROM OMEGA'S CUSTOMER SERVICE DEPARTMENT (IN ORDER TO AVOID PROCESSING DELAYS). THE ASSIGNED NUMBER SHOULD THEN BE MARKED ON THE OUTSIDE OF THE RETURN PACKAGE AND ON ANY CORRESPONDENCE. THE PURCHASER IS RESPONSIBLE FOR SHIPPING CHARGES, FREIGHT, INSURANCE AND PROPER PACKAGING TO PREVENT BREAKAGE IN TRANSIT.

FOR **WARRANTY** RETURNS, please have the following information available BEFORE contacting OMEGA:

- (1) P.O. Number under which the product was purchased,
- (2) Model and serial number of the product under warranty, and
- (3) Repair instructions and/or specific problems relative to the product.

FOR **NON-WARRANTY** REPAIRS, consult OMEGA for current repair charges. Have the following information available BEFORE contacting OMEGA:

- (1) P.O. Number to cover the cost of the repair,
- (2) Model and serial number of the product, and
- (3) Repair instructions relative to the product.

OMEGA's policy is to make running changes, not model changes, whenever an improvement is possible. This affords our customers the latest in technology and engineering. OMEGA is a registered trademark of OMEGA ENGINEERING, INC. © Copyright 1999 OMEGA ENGINEERING, INC. All rights reserved. This document may not be copied, photocopied, reproduced, translated or reduced to any electronic medium or machine readable form, in whole or in part, without prior written consent of OMEGA ENGINEERING, INC.



## Declaration of Conformity

**Manufacturer's Name:** Omega Engineering, Inc.

**Manufacturer's Address:** One Omega Drive  
Stamford, CT 06907-0047

**Application of Council Directive:** 89/336/EEC

**Standards to which  
Conformity is Declared:** \* EN50081-2  
(EN55022, EN60555-2, EN60555-3)  
\* EN50082-1  
(IEC 801-2, IEC 801-3, & IEC 801-4)

**Type of Equipment:** Information Technology Equipment

**Equipment Class:** Light Industrial Equipment

**Product Name:** ISA Data Acquisition Card

**Model Number :** DAQ-12

OMEGAnet® On-line Service:

<http://www.omega.com>

Internet e-mail:

info@omega.com

**Servicing North America:**

**USA:** One Omega Drive, Box 4047 E-mail: info@omega.com  
ISO 9001 Certified Stamford, CT 06907-0047  
Tel: (203) 359-1660 FAX: (203) 359-7700

**Canada:** 976 Bergar E-mail: info@omega.com  
Laval (Quebec) H7L 5A1  
Tel: (514) 856-6928 FAX: (514) 856-6886

**For immediate technical or application assistance:**

**USA and Canada:** Sales Service: 1-800-826-6342 / 1-800-TC-OMEGA<sup>SM</sup>  
Customer Service: 1-800-622-2378 / 1-800-622-BEST<sup>SM</sup>  
Engineering Service: 1-800-872-9436 / 1-800-USA-WHEN<sup>SM</sup>  
TELEX: 996404 EASYLINK: 62968934 CABLE: OMEGA

**Mexico and Latin America:** Tel: (001) 800-826-6342 FAX: (001) 203-359-7807  
En Espanol: (001) 203-359-7803 E-mail: espanol@omega.com

**Servicing Europe:**

**Benelux:** Postbus 8034, 1180 LA Amstelveen, The Netherlands  
Tel: (31) 20 6418405  
Toll Free in Benelux: 0800 0993344  
E-mail: nl@omega.com

**Czech Republic:** ul.Rude armady 1868, 733 01 Karvina-Hranice  
Tel: 42 (69) 6311899 FAX: 42 (69) 6311114  
Toll Free: 0800-1-66342 E-mail: czech@omega.com

**France:** 9, rue Denis Papin, 78190 Trappes  
Tel: (33) 130-621-400  
Toll Free in France: 0800-4-06342  
E-mail: france@omega.com

**Germany/Austria:** Daimlerstrasse 26, D-75392 Deckenpfronn, Germany  
Tel: 49 (07056) 3017  
Toll Free in Germany: 0130 11 21 66  
E-mail: germany@omega.com

**United Kingdom:**  
**ISO 9002 Certified**

One Omega Drive, River Bend Technology Drive  
Northbank, Irlam, Manchester  
M44 5EX, England  
Tel: 44 (161) 777-6611  
FAX: 44 (161) 777-6622  
Toll Free in England: 0800-488-488  
E-mail: info@omega.co.uk

It is the policy of OMEGA to comply with all worldwide safety and EMC/EMI regulations that apply. OMEGA is constantly pursuing certification of its products to the European New Approach Directives. OMEGA will add the CE mark to every appropriate device upon certification.

The information contained in this document is believed to be correct but OMEGA Engineering, Inc. accepts no liability for any errors it contains, and reserves the right to alter specifications without notice. **WARNING:** These products are not designed for use in, and should not be used for, patient connected applications.

# Table of Contents

<b>1. Introduction</b>	8
1.1 Installation	8
1.2 DAQ-12 Specifications	9
<b>2. Circuit Board Description and Configuration</b>	10
2.1 Analog to Digital Converter	10
2.2 Digital to Analog Converters	14
2.3 Digital Input/Output	16
2.4 Base Address	16
2.5 Clock Selection	17
2.5.1 Internal Clock	18
2.5.2 External Clock	19
2.6 Trigger Selection	20
2.7 Direct Memory Access	21
2.8 Interrupts	22
2.8.1 External Interrupt	22
<b>3. External Connections</b>	23
<b>4. Register Description and Programming</b>	25
4.1 Register Description	25
4.1.1 Control Word Register	25
4.1.2 Start of Conversion Register	27
4.1.3 A/D Converter Data Register	27
4.1.4 D/A Converter 0 Register	28
4.1.5 D/A Converter 1 Register	28
4.1.6 Clock Rate Register (low word)	28
4.1.7 Clock Rate Register (high word)	28
4.1.8 Multi-Function Timer Register	28
4.1.9 8254 Control Word/Status Register	28
4.2 Programming the 8254 Counter/Timer	29

## List of Figures and Tables

Figure 2-1. Jumper J1 Configuration .....	10
Figure 2-2. Jumper J7 Configuration .....	11
Figure 2-3. Jumper J6 Configuration .....	13
Figure 2-4. Jumper J4 Configuration .....	14
Figure 2-5. I/O Base Address Selection .....	16
Figure 2-6. Jumper J3 Configuration .....	17
Figure 2-7. Sampling Rate External Clock Pulses .....	19
Figure 2-8. Pre-Divider External Clock Pulses .....	20
Figure 2-9. Jumper J2 Configuration .....	20
Figure 2-10. Jumpers J8 and J9 Configuration .....	21
Figure 2-11. Jumpers J10 and J11 Configuration .....	22
Figure 3-1. 62 Pin Connector Diagram .....	23
Table 2-1. Recommended Input Ranges and Gain Settings .....	12
Table 2-2. A/D Conversion Format Examples .....	14
Table 2-3. D/A Converter Mode Selection Options .....	15
Table 4-1. DAQ-12 Address Map .....	25

# 1. Introduction

---

The DAQ-12 is a high speed data acquisition adapter for IBM AT and compatible machines offering eight differential analog input channels with 16-bit resolution, two analog output channels with 12-bit resolution and four digital input/output lines. Other features of the DAQ-12 include:

## Analog to Digital Converter

- ♦ 200 KHz maximum sampling rate
- ♦ Bipolar input ranges from  $\pm 10\text{mV}$  to  $\pm 10$  volts
- ♦ Unipolar input ranges from  $20\text{mV}$  to 10 volts
- ♦ Programmable gain selection
- ♦ Two DMA channels for continuous acquisition
- ♦ Internal or external clock and trigger

## Digital to Analog Converters

- ♦ Two independent analog output channels
- ♦ Output ranges of 0 to  $\pm 5$  volts
- ♦ Internal or external voltage reference
- ♦ Two DMA channels for continuous output

## Other Features

- ♦ Interrupt on one of four sources including an external interrupt input
- ♦ High density D-62 connector for reduced noise

## 1.1 Installation

1. Configure the DAQ-12 utilizing the instructions in Chapter 2: Circuit Board Description and Configuration.
2. Ensure that power is not applied to the computer system.
3. Remove the cover according to the instructions provided by the system manufacturer.
4. Insert the DAC-16 into any vacant ISA expansion slot. The board is secured to the slot by installing the Option Retaining Bracket (ORB) screw.
5. Replace the system cover per manufacturer instructions.



## 1.2 DAQ-12 Specifications

Bus Interface:	ISA 16-bit
I/O Address Range:	0000H - FFFFH
Interrupt Levels:	IRQ 2, 3, 4, 5, 6, 7, 10, 11, 12, 14, 15
DMA Levels:	DRQ 5, 6, 7
	DACK 5, 6, 7

Power Requirements:		
<u>Power Supply</u>	<u>I(t)</u>	<u>I(ms)</u>
-5 volts	---	---
+5 volts	1069.0 mA	1204.9mA
-12 volts	---	---
+12 volts	374.9 mA	491.4mA

I(t) = Typical Current / I(ms) = Maximum Statistical Current

## 2. Circuit Board Description and Configuration

The base address of the DAQ-12 is selected using switches SW1 and SW2. The operating mode of the DAQ-12 is controlled by jumpers J1 through J7, while DMA and interrupt selections are set with jumpers J8 through J11. Connections to external equipment are made through the high density 62-pin connector CN1.

### 2.1 Analog to Digital Converter

The analog to digital (A/D) section of the DAQ-12 accepts up to 8 differential or 16 single ended inputs from the D-62 connector. These inputs pass through a multiplexer circuit which selects the channel to be converted. The selected input is then amplified and presented to the A/D converter to be digitized. The digital output of the A/D is latched into a buffer to be read by the computer. The multiplexer circuit (MUX) selects one of the analog input channels to be input to the A/D converter. The typical characteristics of the multiplexer circuit are:

- ♦ switching time: 0.5 us
- ♦ settling time: 3.0 us

Before operating the DAQ-12, the multiplexer circuit must be configured to accept either differential or single-ended analog inputs. Single-ended mode measures the voltage difference between the input signal and the analog ground reference of the DAQ-12 (e.g. CH0+ and ground) while differential mode measures the voltage difference between two input signals (e.g. CH0+ and CH0-).

Jumper J1 is used to configure the DAQ-12 for either single ended or differential inputs as shown in Figure 2-1. Once configured, the input channel is software selectable through the control word register.

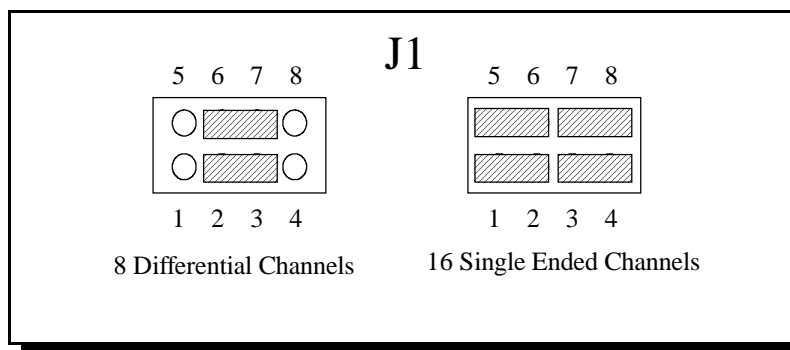


Figure 2-1. Jumper J1 Configuration

The amplifier stage of the A/D converter circuit performs two functions: (1) amplifies low level input signals and (2) converts this input signal into a voltage range acceptable to the A/D converter. Seven gain levels are software selectable for the amplifier stage of the A/D circuit. To support high level input signals, the DAQ-12 provides input gain selections of 1, 2, 4 and 8. For signals requiring greater amplification, the DAQ-12 provides input gains of 1, 10, 100 and 500. The gain setting is determined by the value written to the gain control register.

In order to provide a full +10 volt input range and for greater overall versatility, the DAQ-12 is equipped with a 'divide by 2' pre-scaling circuit. With the pre-scaler enabled, the resultant high level input gain selections become ½, 1, 2 and 4 and the low level input gain selections become ½, 5, 50 and 250. Figure 2-2 illustrates jumper J7 (Pre-scaler) configuration options.

NOTE: The unipolar / bipolar input selection is controlled by the A/D converter and is selected independent of the single-ended or differential input mode configuration of the multiplexer and amplifier circuits.

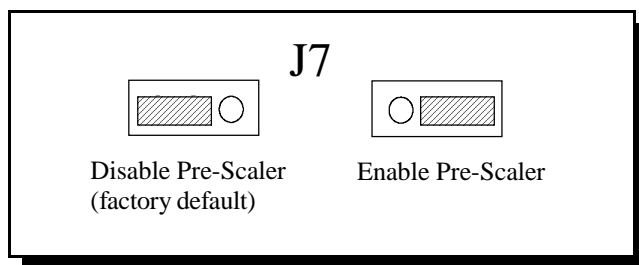


Figure 2-2. Jumper J7 Configuration

Table 2-1 details the available gain settings and resulting input ranges for the various input configurations. Note that the 'gain byte' field in Table 2-1 is the value written to the DAQ-12's gain control register. (\* indicates unipolar mode not available with gain of ½).

Maximum Input Voltage	Amplifier	J7	Gain Byte (HEX)
Unipolar / Bipolar	Gain	---	---
+10/±5	1	1-2	00
+1/±0.5	10	1-2	01
+0.1/±0.05	100	1-2	02
+0.02/±0.01	500	1-2	03
+10/±5	1	1-2	80
+5/±2.5	2	1-2	81
+2.5/±1.25	4	1-2	82
+1.25/±0.625	8	1-2	83
N/A*/±10	½	2-3	00
+2/±1	5	2-3	01
+0.2/±0.1	50	2-3	02
+0.04/±0.02	250	2-3	03
N/A*/ ±10	½	2-3	80
+10/ ±5	1	2-3	81
+5/ ±2.5	2	2-3	82
+2.5/ ±1.25	4	2-3	83

Table 2-1. Recommended Input Ranges and Gain Settings

The final stage of the A/D converter circuit is the A/D converter IC. The converter must be configured for unipolar or bipolar input voltages as shown in Figure 2-3. When configured for unipolar operation, the analog input multiplied by the gain setting must be in the range of 0 volts (analog ground) to +10 volts. When configured for bipolar operation, the analog input multiplied by the gain setting must be in the range of -5 volts to +5 volts.

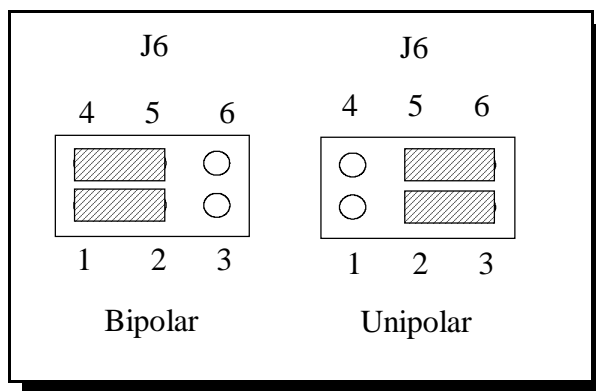


Figure 2-3. Jumper J6 Configuration

**WARNING:** The user must ensure that the maximum input voltage multiplied by the amplifier gain does not exceed the range of 0 to +10 volts for unipolar operation or -5 to +5 volts for bipolar operation.

Although the A/D converter produces 12-bit digital 'codes' to represent the input voltage, the DAQ-12 converts these 'codes' into standard 16-bit signed integer values before returning them to the PC. When the A/D converter is configured for unipolar operation, the DAQ-12 returns values in the range of 0 to 4095. When configured for bipolar operation, values in the range of -2048 to +2047 are returned.

In order to calculate the actual input voltage from the value provided by the DAQ-12, the user must know the configuration (unipolar / bipolar) and the gain setting used to acquire the data. Given this information, the input voltage can be calculated using the following equations:

$$\text{Unipolar mode:} \quad \text{input} = \left[ \frac{\text{CODE}}{4096} \right] * \left[ \frac{10\text{V}}{\text{GAIN}} \right]$$

$$\text{Bipolar mode:} \quad \text{input} = \left[ \frac{\text{CODE}}{2048} \right] * \left[ \frac{5\text{V}}{\text{GAIN}} \right]$$

Voltage	Unipolar Code	Bipolar Code
-5	n/a	1111 1000 0000 0000
-2.5	n/a	1111 1100 0000 0000
0	0000 0000 0000 0000	0000 0000 0000 0000
2.5	0000 0100 0000 0000	0000 0100 0000 0000
5	0000 1000 0000 0000	0000 0111 1111 1111
10	0000 1111 1111 1111	n/a

Table 2-2. A/D Conversion Format Examples

NOTE: The 'voltage' column is the voltage applied to the A/D converter. This voltage is equivalent to the input voltage multiplied by the amplifier gain.

## 2.2 Digital to Analog Converters

The digital to analog (D/A) section of the DAQ-12 consists of two independent 12-bit multiplying D/A converters, and two independent two-stage output amplifiers. Digital data, (output to the D/A converter by the CPU), is converted to an analog voltage by the D/A converter, amplified by the output amplifiers and becomes output to the 62 pin connector at CN1. The D/A converters used on the DAQ-12 are 12-bit resolution converters. Of the 16 bits written to the D/A, only the 12 least significant bits (D0 - D11) are used for the conversion. The 4 most significant bits (D12 - D15) are ignored.

The DAQ-12 implements multiplying D/A converters which makes the analog output proportional to a reference voltage applied to the D/A. Under normal circumstances, the reference voltage should be applied from the internal +5V reference source. An external reference voltage may also be supplied to the D/A. This input from the D-62 connector should not exceed 5 volts and has a typical input impedance of 7.5Kohms. The D/A reference voltage source is selected using jumper J4 as illustrated in Figure 2-4.

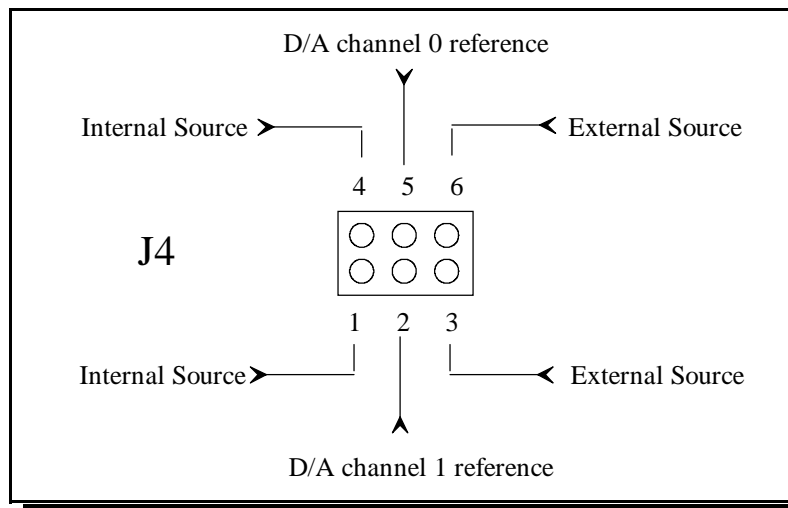


Figure 2-4. Jumper J4 Configuration

The D/A converter channels may also be operated in unipolar mode: 0 to +5 volts, or bipolar mode: -5 to +5 volts. The output mode is selected using jumper J5 as shown in Figure 2-5. In addition, a gain selection jumper is provided to select an output gain of 1 or 2. When using an external voltage reference, this gain can be used to amplify the D/A output for small reference voltages.

**WARNING:** When the internal voltage reference is used, the D/A gain **MUST** be set to the gain = 1 position.

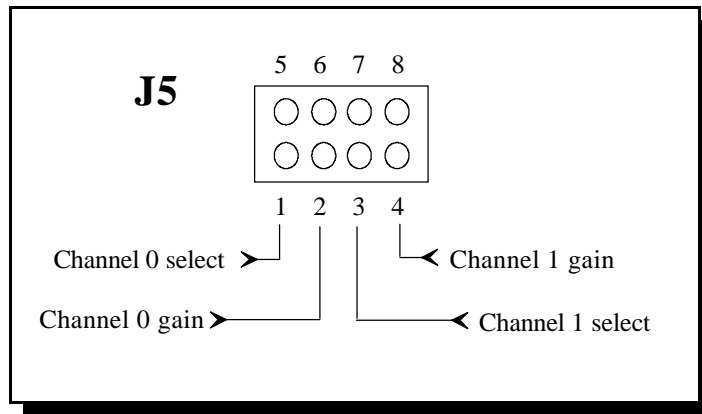


Figure 2-5. Jumper J5 Configuration

Table 2-3 lists configuration options for jumper J5.

	<b>Channel 0</b>	<b>Channel 1</b>
<b>Bipolar</b>	connect 1-5	connect 3-7
<b>Unipolar</b>	open 1-5	open 3-7
<b>Gain = 1</b>	connect 2-6	connect 4-8
<b>Gain = 2</b>	open 2-6	open 4-8

Table 2-3. D/A Converter Mode Selection Options

When configured for unipolar operation, the output voltage can be calculated from the equation:

$$A_{out} = V_{ref} * \left[ \frac{CODE}{4096} \right] * gain$$

For bipolar operation, the equation becomes:

$$A_{out} = \left[ \frac{CODE}{2048} \right] - 1 * V_{ref} * gain$$

### 2.3 Digital Input/Output

The DAQ-12 offers four bits of digital output and four bits of digital input for control/monitoring of external digital devices. The four digital output lines are LS TTL compatible and will initialize low (0 volts) on power-up. The four digital inputs are also LS TTL compatible. There is no termination provided on the digital input lines and a read of an unused digital input will result in an indeterminate value.

### 2.4 Base Address

The DAQ-12 uses 16 consecutive I/O address locations in the range 0 to 0FFFFH. Two six-position switches (SW1 and SW2) are used to select the base address. SW1 controls address lines A15 - A10, and SW2 controls A9 - A4. Address lines A3 - A0 are used internally by the DAQ-12 to select which register to access. When selecting a base address for the DAQ-12, an address selection switch in the "OFF" position corresponds to an address bit of "1" while a switch in the "ON" position corresponds to an address bit of "0". The base address of the DAQ-12 must be set on a 16 byte boundary, meaning A3 - A0 are "0". The address of the DAQ-12 as shipped from the factory is 0300H. This setting and other examples are shown in the Figure 2-5.

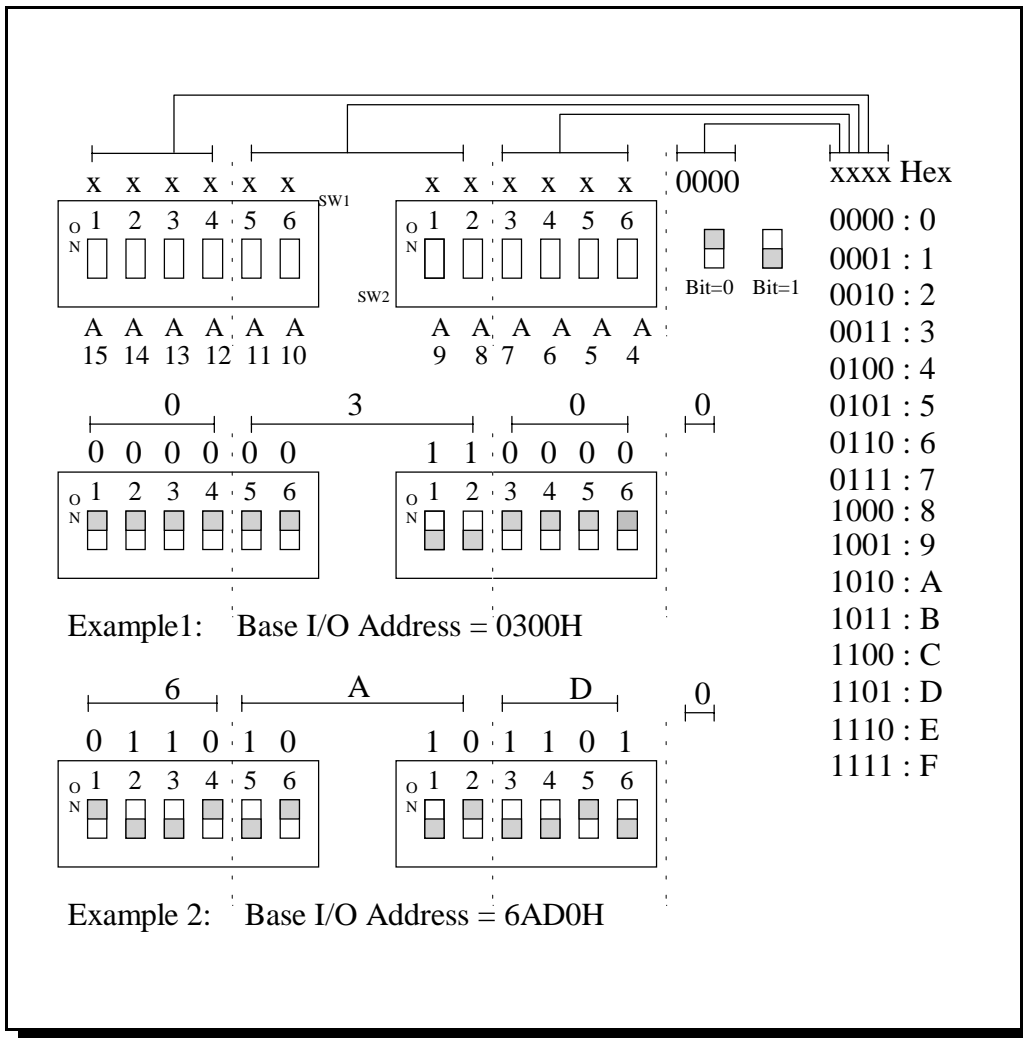


Figure 2-5. I/O Base Address Selection



## 2.5 Clock Selection

The DAQ-12 is equipped with a programmable clock circuit to produce data sampling rates independent from the clock rate of the host computer. An onboard 8254 programmable interval timer, with a 10 MHz clock input and either two or three cascaded 16-bit timers, provides the sampling rate. This enables the sampling rate to be adjusted from 5  $\mu$ s between samples to almost a year between samples, in as small as 100ns increments.

The DAQ-12's sampling rate can also be generated from an external clock input. This external clock can be connected directly to the A/D converter or through a 16-bit pre-divider, the multi-function timer. Samples are taken on the low to high transition of the clock.

**WARNING:** For the DAQ-12, the maximum data sampling rate is 5 $\mu$ s. This restricts clock frequency to a maximum of 200 KHz. Sampling rates in excess of 200 KHz may result in erratic operation and unpredictable results.

The clock source, internal or external clock, is software selectable through the DAQ-12's control word register. The configuration of the clock source itself is controlled by jumper block J3 as shown in Figure 2-6, (\* indicates factory default).

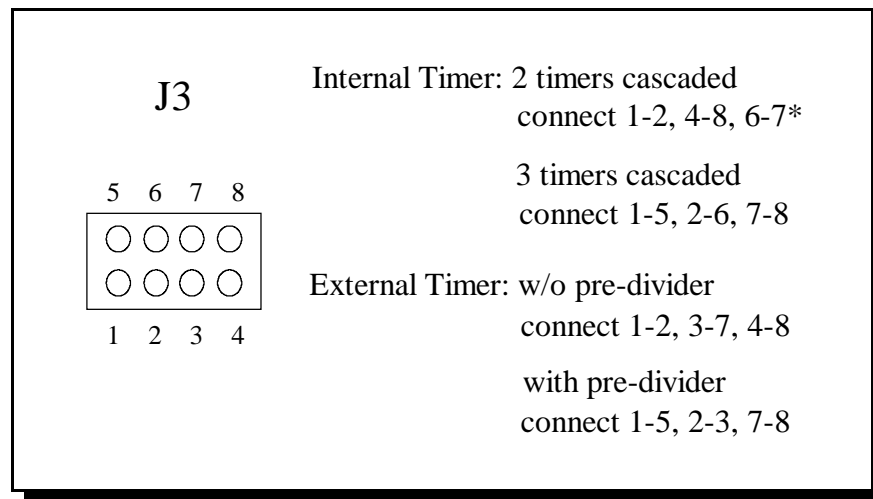


Figure 2-6. Jumper J3 Configuration

### 2.5.1 Internal Clock

Sampling rates for the internal clock can be calculated using the following equation:

$$t = 100\text{ns} * [N1*N2] \text{ or}$$
$$f = 10\text{MHz} / [N1*N2]$$

where N1 is the low 16-bits of the clock divider and N2 is the high 16-bits of the clock divider. The following criteria must be met when selecting values for N1 and N2:

$$2 \leq N1 \leq 65,535$$
$$2 \leq N2 \leq 65,535$$
$$N1 * N2 \geq 50$$

Using the equations above, the minimum and maximum data sampling rates for the internal clock can be calculated.

Maximum sampling rate:

$$N1 = 2, N2 = 25$$

$$t = 100 \times 10^{-9} * [(2)*(25)]$$
$$t = 100 \times 10^{-9} * 50$$
$$t = 5 \text{ us}$$

$$f = 10 \times 10^6 / [(2)*(25)]$$
$$f = 10 \times 10^6 / 50$$
$$f = 200 \text{ Khz}$$

Minimum Sampling Rate:

$$N1 = 65535, N2 = 65535$$

$$t = 100 \times 10^{-9} * [(65535)*(65535)]$$
$$t = 100 \times 10^{-9} * [4.295 \times 10^9]$$
$$t = 429.5 \text{ sec}$$

$$f = 10 \times 10^6 / [(65535)*(65535)]$$
$$f = 10 \times 10^6 / [4.295 \times 10^9]$$
$$f = 2.328 \text{ mHz}$$

If extremely slow data sampling rates are needed, the third 8254 timer, the multi-function timer, can be cascaded with the other two to produce a 48-bit clock divider. The sampling rates are then calculated as follows:

$$t = 100\text{ns} * [N1*N2*N3] \text{ or}$$
$$f = 10\text{MHz} / [N1*N2*N3]$$

where N1 is the low 16-bits of the clock divider, N2 is the intermediate 16-bits of the clock divider, and N3 is the high 16-bits of the divider. The following criteria must be met when selecting values for N1, N2, and N3:

$$2 \leq N1 \leq 65,535$$
$$2 \leq N2 \leq 65,535$$
$$2 \leq N3 \leq 65,535$$

$$N1 * N2 * N3 \geq 50$$

When configured for a 48-bit divider, the first sampling period will be slightly longer than the others because the first clock period is required to load the initial value of the multi-function timer. The following equation calculates the additional time of the first period:

$$t_{add} = 100\text{ns} * [N1 * N2]$$

To minimize the amount of additional time required for the first sample, select clock dividers such that N1 and N2 are as small as possible and N3 is as large as possible. Using the equations above, the minimum and maximum data sampling rates and the amount of additional time required for the first sample can be calculated.

Maximum sampling rate:

$$N1 = 2, N2 = 5, N3 = 5$$

$$t = 100 \times 10^{-9} * [(2)*(5)*(5)]$$

$$t = 100 \times 10^{-9} * 50$$

$$t = 5 \text{ us}$$

$$f = 10 \times 10^6 / [(2)*(5)*(5)]$$

$$f = 10 \times 10^6 / 50$$

$$f = 200 \text{ Khz}$$

$$t_{add} = 100 \times 10^{-9} * [2 * 5]$$

$$t_{add} = 100 \times 10^{-9} * 10$$

$$t_{add} = 1 \text{ us}$$

Minimum sampling rate:

$$N1 = 65535, N2 = 65535, N3 = 65535$$

$$t = 100 \times 10^{-9} * [(65535)*(65535)*(65535)]$$

$$t = 100 \times 10^{-9} * [2.815 \times 10^{14}]$$

$$t = 28.146 \times 10^6 \text{ sec}$$

$$t = 325 \text{ days, 18 hours, 23 minutes, 29 sec}$$

$$f = 10 \times 10^6 / [(65535)*(65535)*(65535)]$$

$$f = 10 \times 10^6 / [2.815 \times 10^{14}]$$

$$f = 35.529 \text{ nHz}$$

$$t_{add} = 100 \times 10^{-9} * [65535 * 65535]$$

$$t_{add} = 100 \times 10^{-9} * [4.295 \times 10^9]$$

$$t_{add} = 429.5 \text{ sec}$$

### 2.5.2 External Clock

The external clock input to the DAQ-12 is a TTL level (0 - 5 volt) signal. This input may be used to control the sampling rate directly, or it may be fed through a pre-divider (the multi-function timer) with the timer output controlling the A/D sampling rate. When used to control the sampling rate directly, the frequency of the external clock input may be varied from DC to 100 KHz as long as the width of the low and high portions of the clock are a minimum of 1 us each. The A/D conversion cycle will begin on each rising edge of the external clock input. (See Figure 2-7).

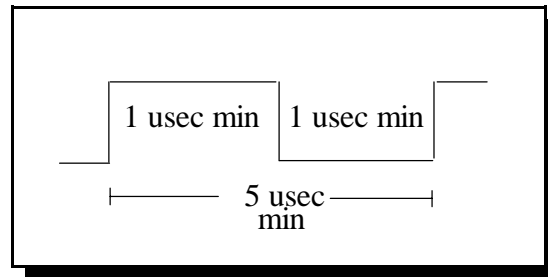


Figure 2-7. Sampling Rate External Clock Pulses

When the multi-function timer is used as a pre-divider, the frequency of the external clock input may be varied from DC to 10 MHz as long as the high portion of the clock is at least 30ns and the low portion is at least 50ns. Except for the first period, the sampling rate of the DAQ-12 will be the external clock frequency divided by the count value written to the multi-function timer. Since one clock pulse is required to load the initial count value into the timer, the first sampling interval will be one clock cycle longer than the rest. The valid range of count values for the multi-function timer is  $2 \leq \text{count} \leq 65,535$  but the resulting sampling rate must be less than 200KHz to assure proper operation of the A/D converter circuitry. (See Figure 2-8).

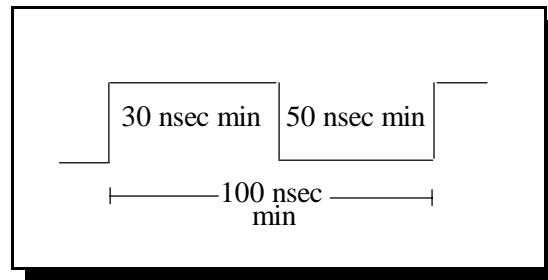


Figure 2-8. Pre-Divider External Clock Pulses

## 2.6 Trigger Selection

The DAQ-12 is capable of accepting an internal software trigger or an external hardware trigger. The trigger selection and trigger level bits in the DAQ-12 control word register select the trigger source and level. Upon reset, the trigger selection and trigger level bits default to the internal software trigger. When the internal trigger is used, an output to the start-of-conversion register will trigger the DAQ-12 to begin sampling the input. For triggering off an external event, the DAQ-12 accepts a level sensitive, TTL compatible trigger input from the D-62 connector. The trigger level bit in the DAQ-12 control word register determines which TTL level is used to trigger the A/D converter to begin sampling.

When an internal clock source is used, a delay of not more than 225ns will occur between the trigger and the first data sample. When an external clock is used, the delay will be dependent on the frequency and duty cycle of the clock input. If these delays are unacceptable, the clock and trigger circuitry can be bypassed and a start of conversion pulse can be input directly into the A/D circuitry with a maximum delay of 25ns. If the user controls the start of conversion pulse directly, the sample will be taken on the low to high transition of the pulse, the pulse must have a duration of at least 5 us, and the duty cycle must be between 5 and 80 percent. Jumper J2, shown in Figure 2-9, configures start of conversion control.

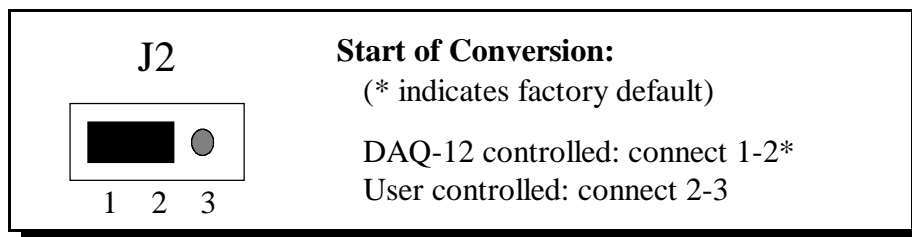


Figure 2-9. Jumper J2 Configuration

## 2.7 Direct Memory Access

Direct Memory Access (DMA) transfers provide a way of transferring data from the DAQ-12's A/D converter into the personal computer's memory without using the Central Processing Unit (CPU). DMA capability enables other system software to be executed while data is being input from the DAQ-12.

The DAQ-12 actually implements two DMA channels. The advantage of having two DMA channels is that one channel can be transferring data while the second channel is being programmed. When the first channel is finished, the second channel will automatically take over and continue the data transfer. The first channel can then be re-programmed while the second channel is transferring data. In this way, the DAQ-12 can acquire data continuously until terminated by the user.

The DAQ-12 supports 16-bit DMA transfers on channels 5, 6, and 7. The DMA channel(s) are selected by jumpers J8 and J9 as shown in Figure 2-10.

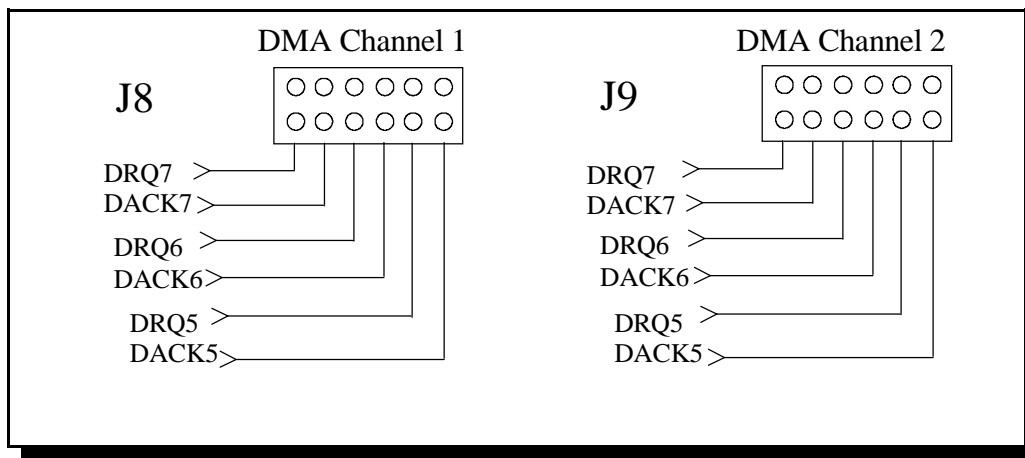


Figure 2-10. Jumpers J8 and J9 Configuration

**WARNING:** To properly implement the DMA capability, the DRQ and DACK of each DMA channel must be jumpered to the same number, i.e. DRQ 5/DACK 5. If both DMA channels are to be used, each channel must be jumpered to a different number, i.e. channel 1 is jumpered to DRQ 5 /DACK 5 and channel 2 is jumpered to DRQ 7/DACK 7.

## 2.8 Interrupts

The DAQ-12 is capable of generating an interrupt from one of four sources:

1. End of conversion signal
2. DMA terminal count
3. Multi-function timer output
4. External interrupt input

The interrupt source is software selected through the DAQ-12 control word register. The interrupt level is selected using the jumpers J10 and J11 as shown in Figure 2-11.

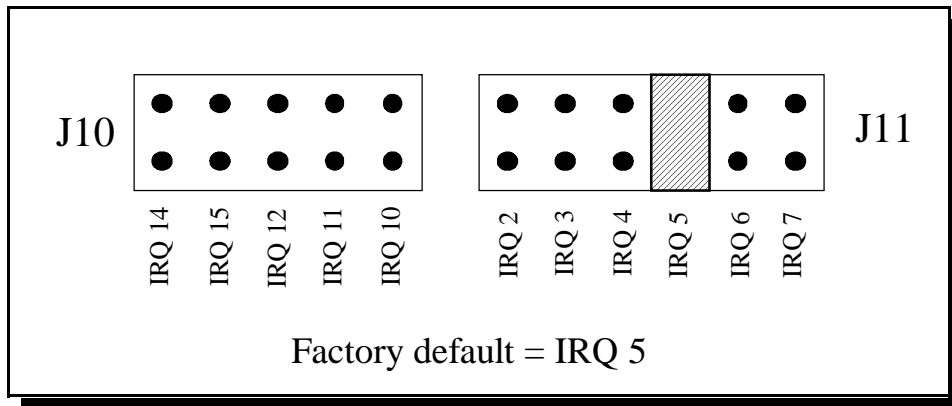


Figure 2-11. Jumpers J10 and J11 Configuration

### 2.8.1 External Interrupt

The external interrupt is a TTL compatible input from the D-62 connector. An interrupt request is generated on a high to low transition of this input.

### 3. External Connections

The DAQ-12 is equipped with a high density 62-pin connector as shown in Figure 3-1.

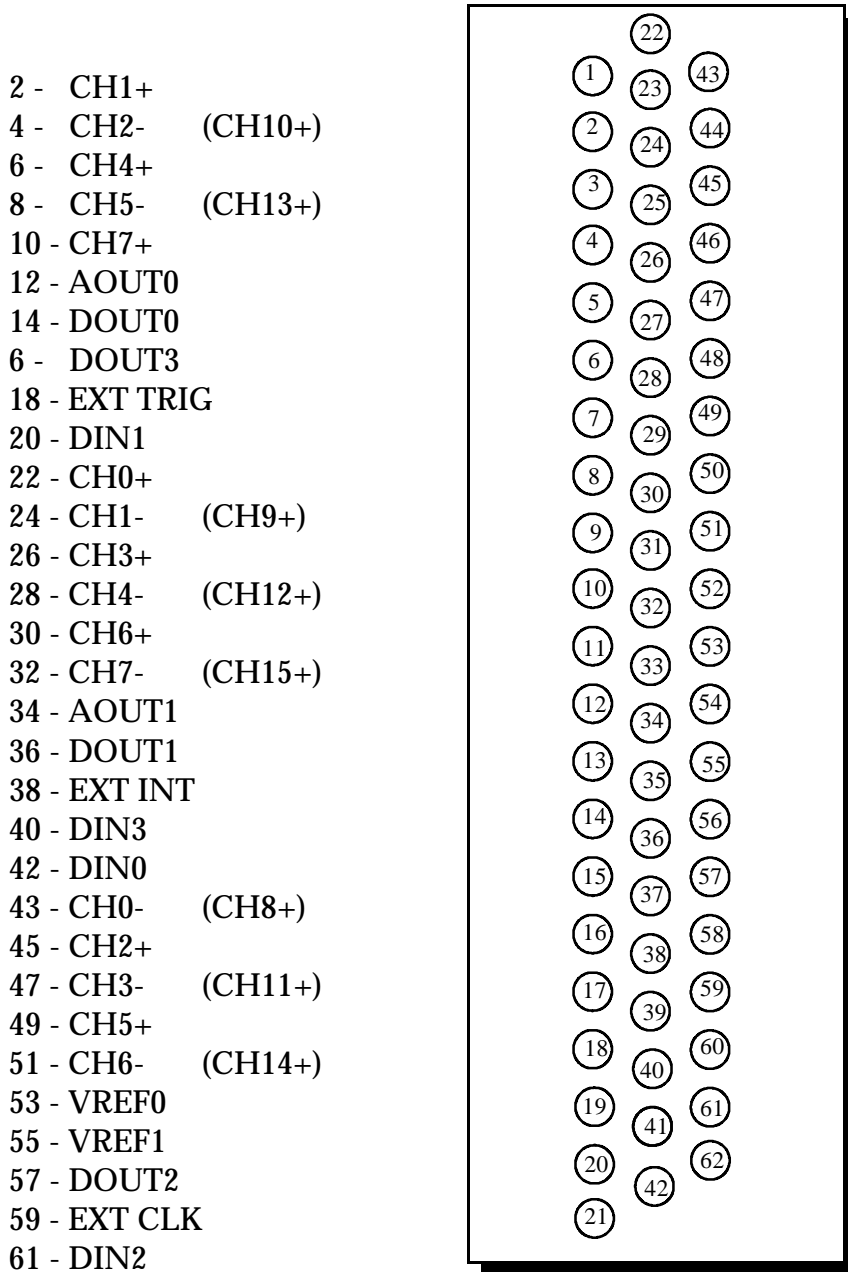


Figure 3-1. 62 Pin Connector Diagram

Analog Ground - 1, 3, 5, 7, 9, 11, 13, 44, 46, 48, 50, 52, 54

Digital Ground - 15, 17, 19, 21, 37, 39, 41, 56, 58, 60, 62

CHx-, CHx+ : Analog inputs to the analog to digital converter. When using differential input mode, eight input channels are available (CH0+ to CH7+). When using single-ended inputs, 16 channels are available (CH0+ to CH15+). The first eight channels are input through the connections marked CH0+ to CH7+ and the second eight channels through CH0- to CH7-.

AOUT0, AOUT1: Analog outputs from the digital to analog converters. Polarity and maximum amplitude depend on the jumper settings and voltage references. Output resistance of the analog outputs is typically 70 ohms.

VREF0, VREF1: External voltage references for the digital to analog converters. Input range is 0 to 5.0 volts with a no-load input resistance of 7.5 Kohms typical.

EXT CLK, EXT TRG, EXT INT: External clock, trigger, and interrupt inputs respectively. Inputs are TTL compatible.

DOUT0, DOUT1, DOUT2, DOUT3: TTL compatible digital output lines.

DIN0, DIN1, DIN2, DIN3: TTL compatible input lines.



## 4. Register Description and Programming

The DAQ-12 uses 16 consecutive I/O address locations in the range 0 to FFFFH. The card utilizes these addresses for the registers listed in Table 4-1. (\* indicates registers located in 8254 counter).

Base + 0, 1	Read/Write 16-bit Control Word Register
Base + 2, 3	Write only 16-bit Start Conversion Register Read only 16-bit A/D Data Register
Base + 4, 5	Write only 16-bit D/A Channel 0 Register
Base + 6, 7	Write only 16-bit D/A Channel 1 Register
Base + 8	Read/Write 8-bit Digital Input/Output Register
Base 9	Read/Write 8-bit Gain Control Register
Base A, B	Reserved
Base + C *	Read/Write 8-bit Clock Rate Register (low)
Base + D *	Read/Write 8-bit Clock Rate Register (high)
Base E *	Read/Write 8-bit Multi-function Timer Register
Base F *	Read/Write 8-bit 8254 Control Word/Status Register

Table 4-1. DAQ-12 Address Map

### 4.1 Register Description

#### 4.1.1 Control Word Register

The control word register defines and controls many of the DAQ-12'S data conversion functions. This register is 16-bit read/write.

	<u>Write</u>	<u>Read</u>		<u>Write</u>	<u>Read</u>
D15	INT2	INT2	D7	RUN	RUN
D14	INT1	INT1	D6	0	EOC
D13	INT0	INT0	D5	0	VALID
D12	DMAEN	DMAEN	D4	DMASL	DMASL
D11	DMACT	DMACH	D3	CHSL3	CHSL3
D10	LEVEL	LEVEL	D2	CHSL2	CHSL2
D9	TRIG	TRIG	D1	CHSL1	CHSL1
D8	CLK	CLK	D0	CHSL0	CHSL0

INT2, INT1 and INT0 control the DAQ-12 interrupt source.

<u>INT2</u>	<u>INT1</u>	<u>INT0</u>	<u>DESCRIPTION</u>
0	0	0	Interrupt disabled
1	0	0	Interrupt timer 2
1	0	1	Interrupt on terminal count
1	1	0	External interrupt
1	1	1	Interrupt on end of conversion

DMAEN - enables / disables DMA. When set, logic 1, DMA transfers are enabled.

DMACT - enables the multi-channel DMA capability of the DAQ-12. When set, logic 1, a terminal count on the active DMA channel causes DMA transfers to begin on the "stand-by" channel. When cleared, logic 0, DMA transfers halt when the terminal count is reached on the active channel.

DMACH - indicates which of the DAQ-12'S DMA channels is currently active to transfer data. Logic 0 indicates DMA channel 0, logic 1 indicates DMA channel 1.

DMASL - When using differential input mode, eight input channels are available (CH0+ through CH7+). When using single-ended inputs, 16 channels are available (CH0+ through CH15+). The first eight channels are input through the connections marked CH0+ through CH7+ and the second eight channels through CH0- through CH7-.

LEVEL - selects the edge of the external trigger input. When set, logic 1, A/D conversions will begin on the falling edge of the external trigger input. When cleared, logic 0, conversions will begin on the rising edge of the external trigger. IMPORTANT: LEVEL must be logic 0 when internal triggering is used.

TRIG - selects between internal and external triggers. When set, logic 1, the external trigger is selected.

CLK - selects between internal and external clock sources. When set, logic 1, the external clock source is selected.

RUN - when set, logic 1, the A/D converter is placed in the 'run' mode and will begin converting data when a trigger is received. RUN may be cleared at any time by writing a "0" to it. When using DMA transfers, RUN is automatically cleared when a terminal count is received with DMACT set to "0".

EOC - when set, indicates an end of conversion has taken place and the data is available in the A/D converter data register.

VALID - when set, logic 1, indicates at least one data sample was lost because it was read by the personal computer before the next sample was converted. Data was lost because the sampling rate was too fast for the computer to acquire the data. VALID is reset by writing to the start conversion register.

CHSL2, CHSL1, CHSL0 - select the multiplexer channel for the analog input signal. (\* denotes only available in single ended input mode).

<u>CHSL3</u>	<u>CHSL2</u>	<u>CHSL1</u>	<u>CHSL0</u>	<u>MUX channel</u>
0	0	0	0	channel 0
0	0	0	1	channel 1
0	0	1	0	channel 2
0	0	1	1	channel 3
0	1	0	0	channel 4
0	1	0	1	channel 5
0	1	1	0	channel 6
0	1	1	1	channel 7
1	0	0	0	channel 8*
1	0	0	1	channel 9*
1	0	1	0	channel 10*
1	0	1	1	channel 11*
1	1	0	0	channel 12*
1	1	0	1	channel 13*
1	1	1	0	channel 14*
1	1	1	1	channel 15*

#### 4.1.2 Start of Conversion Register

The start of conversion register is 16-bit write only and performs two functions:

1. When configured for internal triggering, writing a "0" to this register generates the software trigger, starting the data conversion process.
2. Writing a "0" to this register at any time resets the VALID bit in the control word register. This allows the VALID bit to be reset at any time during the conversion process or before the event of an external trigger.

#### 4.1.3 A/D Converter Data Register

An input to this register returns the last digital value converted by the A/D converter. This register is 16-bit read only.

#### **4.1.4 D/A Converter 0 Register**

An output to this register causes the lower twelve bits of data to be converted to an analog output on D/A converter channel 0. The four most significant bits of data are ignored. This register is 16-bit write only.

#### **4.1.5 D/A Converter 1 Register**

An output to this register causes the lower twelve bits of data to be converted to an analog output on D/A converter channel 1. The four most significant bits of data are ignored. This register is 16-bit write only.

The remaining four registers are contained in an 8254 counter/timer.

#### **4.1.6 Clock Rate Register (low word)**

The low word of the clock divider is contained in counter 0 of an 8254 counter/timer. The output of this counter is cascaded into the input of counter 1 to produce a 32-bit timer. Mode 2 must be selected for counter 0 with a minimum count of 2. This register is 8-bit read/write.

#### **4.1.7 Clock Rate Register (high word)**

The high word of the clock divider is contained in counter 1 of the 8254 counter/timer. Mode 2 must be selected for counter 1 with a minimum count of 2. This register is 8-bit read/write.

#### **4.1.8 Multi-Function Timer Register**

The multi-function timer is implemented using counter 2 of the 8254 counter/timer. Mode 2 must be selected for this timer with a minimum count of 2. This register is 8-bit read/write.

#### **4.1.9 8254 Control Word/Status Register**

This register is used to program the mode and report the status of the 8254 counter/timer. This register is 8-bit read/write.

## 4.2 Programming the 8254 Counter/Timer

This section provides programming information for the 8254 counter/timer as implemented on the DAQ-12. For more details on the 8254, consult the Intel Micro-processor and Peripheral Handbook.

To program any of the counters contained in the 8254 counter/timer, three steps are required:

1. Write the configuration byte to the 8254 mode select/status register. This byte sets the operating mode of the selected counter.
2. Write the least significant byte of the count value to the selected counter register.
3. Write the most significant byte of the count value to the selected counter register.

The following examples illustrate the programming sequence for each of the counters in the 8254. The variable 'base\_address' is the base address of the DAQ-12 as defined by the address selection switches.

### Counter 0 - Clock rate register (low word)

operating mode: 2  
minimum count value: 2  
configuration byte: 0 / 0 / 1 / 1 / 0 / 1 / 0 / 0 = 34H

Example: Program the value 2675H into the low word of the clock rate register.

output 34H to base\_address + 0FH  
output 75H to base\_address + 0CH  
output 26H to base\_address + 0CH

Example: Program the value 0008H into the low word of the clock rate register.

output 34H to base\_address + 0FH  
output 08H to base\_address + 0CH  
output 00H to base\_address + 0CH

### Counter 1 - Clock rate register (high word)

operating mode: 2  
minimum count value: 2  
configuration byte: 0 / 1 / 1 / 1 / 0 / 1 / 0 / 0 = 74H

Example: Program the value 13A4H into the high word of the clock rate register.

output 74H to base\_address + 0FH  
output A4H to base\_address + 0DH  
output 13H to base\_address + 0DH

Example: Program the value FFFFH into the high word of the clock rate register.

output 74H to base\_address + 0FH  
output FFH to base\_address + 0DH  
output FFH to base\_address + 0DH

### Counter 2 - Multi-function timer register

operating mode: 2  
minimum count value: 2  
configuration byte: 1 / 0 / 1 / 1 / 0 / 1 / 0 / 0 = B4H

Example: Program the value 000AH into the multi-function timer register.

output B4H to base\_address + 0FH  
output 0AH to base\_address + 0EH  
output 00H to base\_address + 0EH

Example: Program the value 0100H into the multi-function timer register.

output B4H to base\_address + 0FH  
output 00H to base\_address + 0EH  
output 01H to base\_address + 0EH

DAQ-12 Users Manual  
Version 2.20  
January 28, 1999  
Part No. 940-0030-220

---