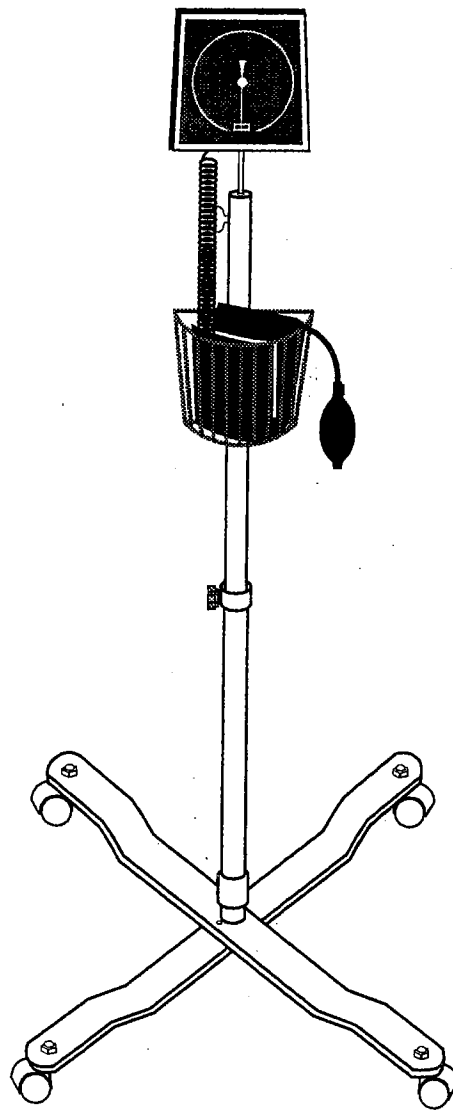


**BMS<sup>®</sup>**

**INSTRUCTION MANUAL**

**RESIDENT FLOOR ANEROID  
MODEL 11-685**





## SPECIFICATIONS

### RESIDENT FLOOR ANEROID

### MODEL 11-685

Thank you for purchasing the BMS Resident Floor Aneroid model 11-685. This high quality diagnostic instrument comes complete with everything you need to accurately and easily monitor a patient's blood pressure. The durable unit frame is mounted on easy-rolling casters. ABS plastic casing houses a no stop pin 300 mm Hg large face aneroid gauge. A rubber coated storage basket conveniently holds the cuff and inflation system. The unit is backed by our LIFETIME Calibration Warranty (see back page for warranty).

- 1.) To assemble the base of the unit form an "X" with the two leg sections (see figure A). Be sure to keep all of the premounted casters facing the same direction.
- 2.) Place the leg section containing the guide pin on the bottom half of the "X" configuration. Insert the guide pin into the guide pin hole of the top section.
- 3.) Align the center holes on each leg section.
- 4.) From the bottom of the "X" leg sections, insert the bolt and washer through the aligned center holes. Secure the bolt into the bottom of the base pole and tighten with a wrench.

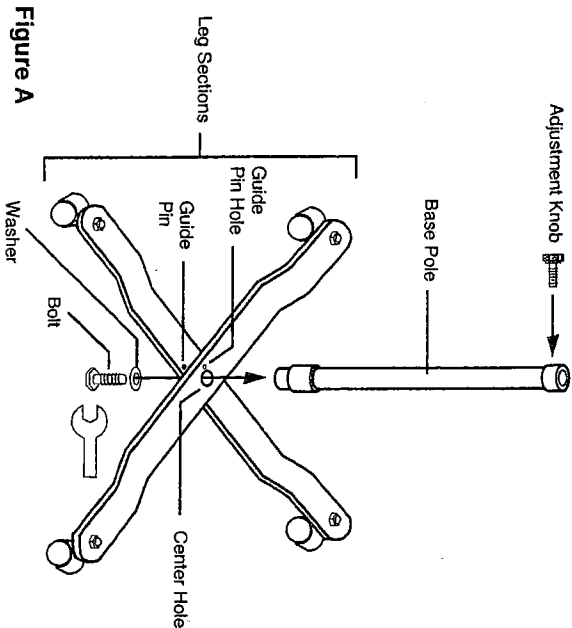
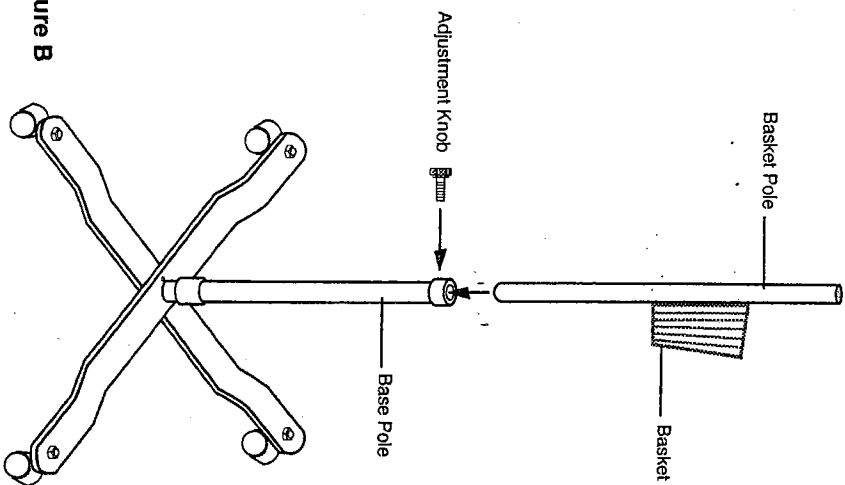


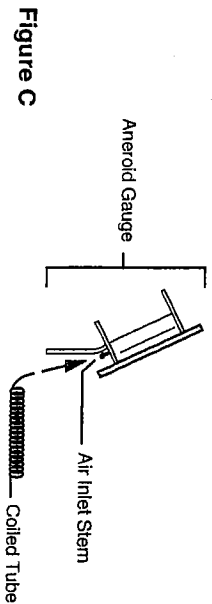
Figure A

Scale Range:	20 - 300 mm Hg With 2 mm Hg Divisions
Manometer:	Aneroid Gauge
Accuracy:	± 3 mm Hg Throughout Scale
Gauge Housing:	High Impact Off White ABS Plastic
Faceplate Color:	Blue
Markings Color:	White
Cuff Material:	Blue Nylon
Cuff Dimension:	21 in. (± 0.5 in.) x 5.7 in. (- 0.1 in./+0.2 in.)
Closure Material:	Hook and Pile
Artery Label:	BMS
Tubing:	8 ft. Coiled Latex Tubing
Bladder Dimensions:	9 in. (± 0.5 in.) x 5 in. (± 0.25 in.)
Bladder Material:	Seamless Latex Construction
Arm Circumference Range:	Approximately 9 in. to 14 in.
Inflation Bulb:	Latex
Air Release Valve:	Deluxe
Unit Dimensions:	Height: 41.5 in. Adjustable to 46.5 in. Weight: 11 lbs. (approximately) Leg Span: 23 in.
Basket Pole:	Chrome Plated Brass
Base Pole:	Gray Iron (baked enamel finish)
Leg Sections:	Gray Iron (baked enamel finish)
Basket Dimensions:	6.75 in. x 7 in. x 3 in. (approximately)
Warranty:	Lifetime Calibration

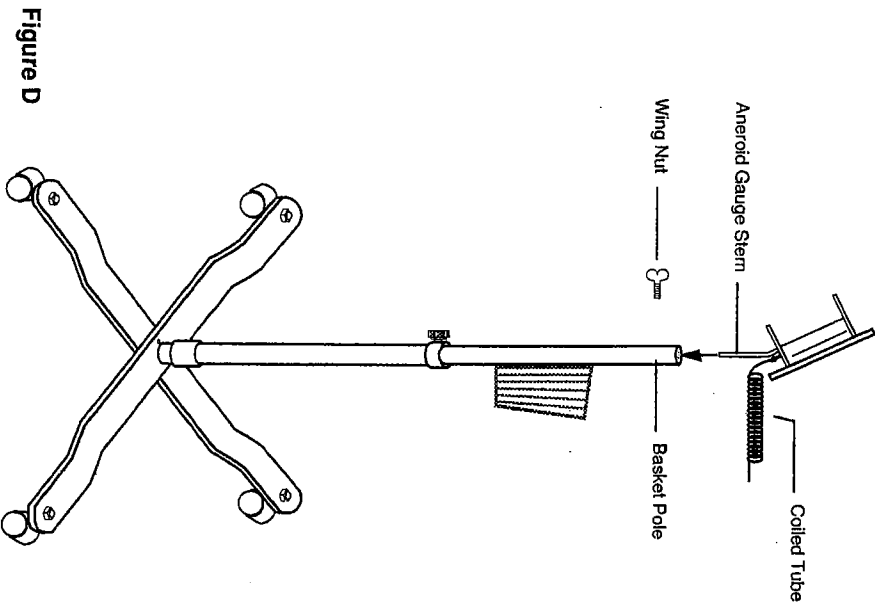
- Loosen the adjustment knob until you can slide the basket pole into the base pole (see figure B).
- Select the basket height which is most comfortable for you to work with and then secure the basket pole by tightening the adjustment knob.



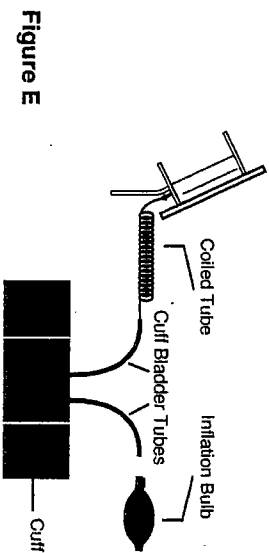
- Attach the coiled tube to the aneroid gauge by pushing the end without the plastic connector over the air inlet stem (see figure C).



- Insert the aneroid gauge stem into the basket pole. If necessary, loosen the wing nut on the basket pole (see figure D).
- Select the desired height of the aneroid gauge and tighten the wing nut.



- Attach the end of the coiled tube with the plastic connector to one of the cuff bladder tubes (see figure E).
- Attach the inflation bulb to the remaining cuff bladder tube.





## LIFETIME WARRANTY

If, under normal conditions of use, the aneroid gauge becomes inaccurate, you are entitled to free readjustment for the lifetime of the unit. Readjustment does not include the replacement of broken parts or any part of the inflation system. Omron Healthcare, Inc. guarantees gauge accuracy as long as the dial needle remains within the zero indicator on the face plate when the gauge is not in use.

Should repair or calibration be needed within the warranty period, ship the unit prepaid to **Omron Healthcare, Inc., 300 Lakeview Parkway, Vernon Hills, IL 60061, Attn: Service Dept.**, together with \$5.00 for return shipping and insurance. Be sure to include the model number of your unit and your phone number on any correspondence.

The above warranty is complete and exclusive. The warrantor expressly disclaims liability for incidental, special, or consequential damages of any nature. (Some states do not allow the exclusion or limitation of incidental or consequential damages, so the above warranty may not apply to you.)

Any implied warranties arising by the operation of law shall be limited in duration to the term of this warranty. (Some states do not allow limitations on how long an implied warranty lasts, so the above limitation may not apply to you.)

This warranty gives you specific legal rights and you may have other rights which vary from state to state.

FOR CUSTOMER SERVICE CALL TOLL FREE:  
1-800-634-4350

Manufactured for:

**OMRON HEALTHCARE, INC.**  
300 Lakeview Parkway  
Vernon Hills, Illinois 60061

Copyright © 1996 OMRON HEALTHCARE, INC.