

OPERATOR'S MANUAL

MANUEL D'UTILISATION

MANUAL DEL OPERADOR

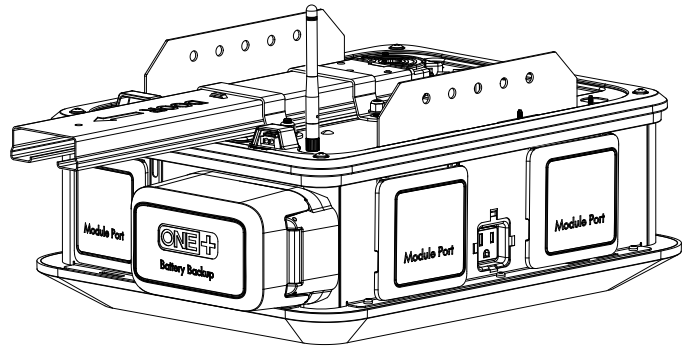
GARAGE DOOR OPENER

OUVRE-PORTE DE GARAGE

SISTEMA DE APERTURA PARA

PORTÓN DE GARAJE

GD200



HomeLink® and the HomeLink® house icon are registered trademarks of Gentex Corporation.

HomeLink® et l'image de maison HomeLink® sont des marques déposées de Gentex Corporation.

HomeLink® y el icono de la casa de HomeLink® son marcas comerciales registradas de Gentex Corporation.

Your garage door opener has been engineered and manufactured to our high standard for dependability, ease of operation, and operator safety. When properly cared for, it will give you years of rugged, trouble-free performance.

⚠ WARNING: To reduce the risk of injury, the user must read and understand the operator's manual before using this product.

Thank you for your purchase.

SAVE THIS MANUAL FOR FUTURE REFERENCE

Ce ouvre-porte de garage a été conçu et fabriqué conformément à nos strictes normes de fiabilité, simplicité d'emploi et sécurité d'utilisation. Correctement entretenu, cet outil vous donnera des années de fonctionnement robuste et sans problème.

⚠ AVERTISSEMENT :
Pour réduire les risques de blessures, l'utilisateur doit lire et veiller à bien comprendre le manuel d'utilisation avant d'employer ce produit.

Merci de votre achat.

Su sistema de apertura para portón de garaje ha sido diseñado y fabricado de conformidad con nuestras estrictas normas para brindar fiabilidad, facilidad de uso y seguridad para el operador. Con el debido cuidado, le brindará muchos años de sólido funcionamiento y sin problemas.

⚠ ADVERTENCIA:
Para reducir el riesgo de lesiones, el usuario debe leer y comprender el manual del operador antes de usar este producto.

Le agradecemos su compra.

**CONSERVER CE MANUEL POUR
FUTURE RÉFÉRENCE**

**GUARDE ESTE MANUAL PARA
FUTURAS CONSULTAS**

TABLE OF CONTENTS

TABLE DES MATIÈRES / ÍNDICE DE CONTENIDO

■ Introduction	2
Introduction / Introducción	
■ Specific Safety Rules.....	3
Règles de sécurité particulières / Reglas de seguridad específicas	
■ Safety Rules for Battery Operation.....	4
Règles particulières concernant l'utilisation de la pile / Reglas específicas para el funcionamiento a batería	
■ Safety Rules for Charger	5
Règles de sécurité concernant le chargeur / Reglas de seguridad para el empleo del cargador	
■ Symbols.....	6-7
Symboles / Símbolos	
■ Electrical	8
Caractéristiques électriques / Aspectos eléctricos	
■ Features.....	9-12
Caractéristiques / Características	
■ Loose Parts.....	13-14
Outils nécessaires / Herramientas necesarias	
■ Tools Needed	15
Outils nécessaires / Herramientas necesarias	
■ Assembly	15-19
Assemblage / Armado	
■ Installation.....	20-34
Installation / Instalación	
■ Operation.....	35-46
Utilisation / Funcionamiento	
■ Maintenance	47-48
Entretien / Mantenimiento	
■ Accessories	49
Accessoires / Accesorios	
■ Troubleshooting.....	50-51
Dépannage / Corrección de problemas	
■ Warranty	52
Garantie / Garantía	
■ Parts Ordering / Service	Back Page
Commande de pièces et réparation / Pedidos de piezas y servicio.....	Page arrière / Pág. posterior

This product has many features for making its use more pleasant and enjoyable. Safety, performance, and dependability have been given top priority in the design of this product making it easy to maintain and operate.

* * *

Ce produit offre de nombreuses fonctions destinées à rendre son utilisation plus plaisante et satisfaisante. Lors de la conception de ce produit, l'accent a été mis sur la sécurité, les performances et la fiabilité, afin d'en faire un outil facile à utiliser et à entretenir.

* * *

Este producto ofrece numerosas características para hacer más agradable y placentero su uso. En el diseño de este producto se ha conferido prioridad a la seguridad, el desempeño y la fiabilidad, por lo cual se facilita su manejo y mantenimiento.

WARNING:

READ AND UNDERSTAND ALL INSTRUCTIONS BEFORE USING THIS GARAGE DOOR OPENER to reduce the risk of electric shock, fire and/or serious personal injury.

- For use with residential sectional or single-panel garage doors. Not for commercial use.
- Only enable the RYOBI Garage Door Opener Module System App feature when installed with a sectional door.
- Know your product. Read operator's manual carefully. Learn its applications and limitations, as well as the specific potential hazards related to this unit. Following this rule will reduce the risk of electric shock, fire, death, or serious injury.
- Always follow all safety rules recommended by the manufacturer of your garage door opener, in addition to all safety rules for the garage door opener attachment and accessories. Following this rule will reduce the risk of serious personal injury.
- Devices or features, such as the RYOBI Garage Door Opener Module System App, that allow you to open and close the garage without the garage door being in view should only be used with sectional garage doors.
- Do not use any attachments or accessories not recommended by the manufacturer of this product.
- A monthly test of the device's functionality is recommended to ensure reliable performance over time.
- Do not use the garage door opener if it is damaged or broken.
- Do not use garage door opener if keypads do not start and stop the motor. An opener that cannot be controlled with a keypad is dangerous and must be repaired.
- To avoid accidental use place keypads and remotes in a location that is inaccessible to children and others not qualified to operate the machine at least five feet above the floor.
- Do not allow children or untrained individuals to use this unit.
- Do not allow to be used as a toy. Close attention is necessary when used near children.
- To avoid death or serious personal injury, stay clear of the garage door while it is moving.
- The effectiveness of the safety sensors included in this system directly relates to the placement and installation of the sensors.
- Use extra care when mounting the unit. Keep proper footing and balance at all times.
- Mount the garage door opener to joists only. Never mount the unit to drywall or false ceiling grids. Failure to properly install the garage door opener could result in a falling hazard that can cause death or serious personal injury.
- This product is not equipped for permanent wiring. Contact licensed electrician to install a suitable receptacle if one is not available.
- Plug the garage door opener directly into a power source. Do not attach an extension cord or cord adaptor to this product's power cord.
- Do not unplug by pulling on cord. To unplug, grasp the plug, not the cord.
- Do not handle battery pack, power supply cord, wires, wire terminals, or accessories with wet hands.
- Disconnect battery pack and unplug the garage door opener before making any adjustments, changing accessories, or performing maintenance. Such preventive safety measures reduce the risk of electrocution or electric shock.
- Inspect power supply cord and wires periodically and, if damaged, have repaired by the manufacturer or by an authorized service center to avoid risk. Keep power supply cord and wires away from pinch points and moving parts. Following this rule will reduce the risk of electric shock or fire.
- Check damaged parts. Before further use of the garage door opener, a belt, pulley, or other part that is damaged should be carefully checked to determine that it will operate properly and perform its intended function. Check for alignment of moving parts, binding of moving parts, breakage of parts, and any other conditions that may affect its operation. A belt, pulley, or other part that is damaged should be properly repaired or replaced by an authorized service center. Following this rule will reduce the risk of shock, fire, or serious injury.
- When servicing a product, use only identical replacement parts. Follow instructions in the *Maintenance* section of this manual. Use of unauthorized parts or failure to follow Maintenance instructions may create a risk of injury.
- Never attempt to loosen, adjust, or remove the door springs (torsion spring and/or extension spring), door spring components, or any surfaces to which these items are secured. These items are under extreme tension and any such alteration could result in death, serious personal injury, and/or property damage.
- Servicing of garage doors, door springs (torsion and/or extension springs), and door spring components should be performed only by a qualified service person.

SPECIFIC RULES FOR BATTERY OPERATION

- When battery pack is not in use, keep it away from other metal objects like: paper clips, coins, keys, nails, screws, or other small metal objects that can make a connection from one terminal to another. Shorting the battery terminals together may cause sparks, burns, or a fire.
- Use battery operated products only with specifically designated battery packs. Use of any other battery packs may create a risk of fire.
- Do not dispose of the batteries in a fire. The cell may explode. Check with local codes for possible special disposal instructions.
- Do not open or mutilate the batteries. Released electrolyte is corrosive and may cause damage to the eyes or skin. It may be toxic if swallowed.
- Do not place battery tools or their batteries near fire or heat. This will reduce the risk of explosion and possibly injury.
- Batteries can explode in the presence of a source of ignition, such as a pilot light. To reduce the risk of serious personal injury, never use any cordless product in the presence of open flame. An exploded battery can propel debris and chemicals. If exposed, flush with water immediately.
- Do not crush, drop or damage battery pack. Do not use a battery pack or charger that has been dropped or received a sharp blow. A damaged battery is subject to explosion. Properly dispose of a dropped or damaged battery immediately.
- Exercise care in handling batteries in order not to short the battery with conducting materials such as rings, bracelets, and keys. The battery or conductor may overheat and cause burns.
- Under extreme usage or temperature conditions, battery leakage may occur. If liquid comes in contact with your skin, wash immediately with soap and water. If liquid gets into your eyes, flush them with clean water for at least 10 minutes, then seek immediate medical attention. Following this rule will reduce the risk of serious personal injury.
- Battery powered garage door openers do not have to be plugged into an electrical outlet; therefore, they are always in operating condition. Be aware of possible hazards when making adjustments or changing accessories. Following this rule will reduce the risk of electric shock, fire, or serious personal injury.
- For best results, your garage door opener's battery should be charged in a location where the temperature is more than 50°F but less than 100°F. Do not store outside or in vehicles.
- Save these instructions. Refer to them frequently and use them to instruct others who may use this product. If you loan someone this product, loan them these instructions also.

SAFETY RULES FOR CHARGER

- Before charging battery pack, read all instructions and cautionary markings in this manual, on the battery pack, and product using battery to prevent misuse of the products and possible injury or damage.

WARNING:


Charge only lithium-ion rechargeable batteries. Other types of batteries may burst, causing personal injury or damage. For compatible battery packs see tool/appliance/battery pack/charger correlation supplement 987000-432.

- Do not expose garage door opener to wet or damp conditions. Water entering product will increase the risk of electric shock.
- Do not abuse cord or garage door opener. Do not pull the garage door opener's cord rather than the plug when disconnecting from receptacle. Damage to the cord or garage door opener could occur and create an electric shock hazard. If cord or garage door opener is damaged, have the garage door opener repaired by an authorized service center.
- Do not let gasoline, oils, petroleum-based products, etc. come in contact with plastic parts. They contain chemicals that can damage, weaken, or destroy plastic.
- Do not operate garage door opener with a damaged cord or plug, which could cause shorting and electric shock. If damaged, have the garage door opener replaced by an authorized service center.
- Do not operate garage door opener if it has received a sharp blow, been dropped, or otherwise damaged in any way. Take it to an authorized service center for an electrical check to determine if the garage door opener is in good working order.
- Do not disassemble garage door opener. Take it to an authorized service center when service or repair is required. Incorrect reassembly may result in a risk of electric shock or fire.
- Risk of electric shock. Do not touch uninsulated portion of output connector or uninsulated battery terminal.

IMPORTANT SAFETY INSTRUCTIONS




1. **SAVE THESE INSTRUCTIONS - DANGER: TO REDUCE RISK OF FIRE OR ELECTRIC SHOCK CAREFULLY FOLLOW THESE INSTRUCTIONS.**

This manual contains important safety and operating instructions for the GD200 garage door opener.







2. **Before using garage door opener**, read all instructions and cautionary markings on garage door opener, battery, and product using battery.
3.  **CAUTION:** To reduce the risk of injury, charge only lithium-ion rechargeable batteries. Other types of batteries may burst, causing personal injury or damage.

SYMBOLS

The following signal words and meanings are intended to explain the levels of risk associated with this product.

SYMBOL	SIGNAL	MEANING
	DANGER:	Indicates an imminently hazardous situation, which, if not avoided, will result in death or serious injury.
	WARNING:	Indicates a potentially hazardous situation, which, if not avoided, could result in death or serious injury.
	CAUTION:	Indicates a potentially hazardous situation, which, if not avoided, may result in minor or moderate injury.
	NOTICE:	(Without Safety Alert Symbol) Indicates important information not related to an injury hazard, such as a situation that may result in property damage.

Some of the following symbols may be used on this product. Please study them and learn their meaning. Proper interpretation of these symbols will allow you to operate the product better and safer.

SYMBOL	NAME	DESIGNATION/EXPLANATION
	Safety Alert	Indicates a potential personal injury hazard.
	Read Operator's Manual	To reduce the risk of injury, user must read and understand operator's manual before using this product.
	Eye Protection	Always wear eye protection with side shields marked to comply with ANSI Z87.1 when assembling and performing maintenance on this product.
	Electrocution/ Electric Shock	Unplug the unit before attaching wires to reduce the risk of electrocution or electric shock.
	Moving Door	To avoid death or serious personal injury, stay clear of the garage door while it is moving and never attempt to run or walk under moving garage door.
	Recycle Symbols	This product uses lithium-ion (Li-ion) batteries. Local, state, or federal laws may prohibit disposal of batteries in ordinary trash. Consult your local waste authority for information regarding available recycling and/or disposal options.

SYMBOLS

Some of the following symbols may be used on this product. Please study them and learn their meaning. Proper interpretation of these symbols will allow you to operate the product better and safer.

SYMBOL	NAME	DESIGNATION/EXPLANATION
==	Direct Current	Type or a characteristic of current
~	Alternating Current	Type of current
n_0	No Load Speed	Rotational speed, at no load
.../min	Per Minute	Revolutions, strokes, surface speed, orbits etc., per minute
V	Volts	Voltage
Hz	Hertz	Frequency (cycles per second)
A	Amperes	Current
W	Watt	Power

CALIFORNIA PROPOSITION 65

WARNING:

This product may contain chemicals, including lead, known to the State of California to cause cancer, birth defects or other reproductive harm. ***Wash hands after handling.***

ELECTRICAL

ELECTRICAL CONNECTION

This product has a precision-built electric motor. It should be connected to a **power supply that is 120 volts, AC only (normal household current), 60 Hz**. Except with battery pack installed, a substantial voltage drop will cause a loss of power and the motor will overheat. If your product does not operate when plugged into an outlet, double-check the power supply.

GROUNDING INSTRUCTIONS

See Figure 1.

This product must be grounded. In the event of a malfunction or breakdown, grounding provides a path of least resistance for electric current to reduce the risk of electric shock. This product is equipped with an electric cord having an equipment-grounding conductor and a grounding plug. The plug must be plugged into a matching outlet that is properly installed and grounded in accordance with all local codes and ordinances.

Do not modify the plug provided. If it will not fit the outlet, have the proper outlet installed by a qualified electrician.

⚠ WARNING:

Improper connection of the grounding plug can result in a risk of electric shock. When repair or replacement of the cord is required, do not connect the grounding wire to either flat blade terminal. The wire with insulation having an outer surface that is green with or without yellow stripes is the grounding wire.

Check with a qualified electrician or service personnel if the grounding instructions are not completely understood, or if in doubt as to whether the product is properly grounded.

Repair or replace a damaged or worn cord immediately.

This product is for use on a nominal 120 V circuit and has a grounding plug similar to the plug illustrated in figure 1. Only connect the product to an outlet having the same configuration as the plug. Do not use an adapter with this product.

GROUND FAULT CIRCUIT INTERRUPTER

See Figure 2.

The 10 amp, 120 volt receptacles on the garage door opener are protected by a Ground Fault Circuit Interrupter (GFCI), which guards against the hazards of ground fault currents.

An example of ground fault current is the current that would flow through a person who is using an appliance with faulty insulation and, at the same time, is in contact with an electrical ground such as a plumbing fixture, wet floor, or earth.

GFCI receptacles do not protect against short circuits, overloads, or shocks.

The GFCI receptacles can be tested with the TEST and RESET buttons.

To test:

- Open the console door.
- Depress the TEST button. This should cause the RESET button to pop out.
- To restore power, depress the RESET button.

Perform this test monthly to ensure proper operation of the GFCI.

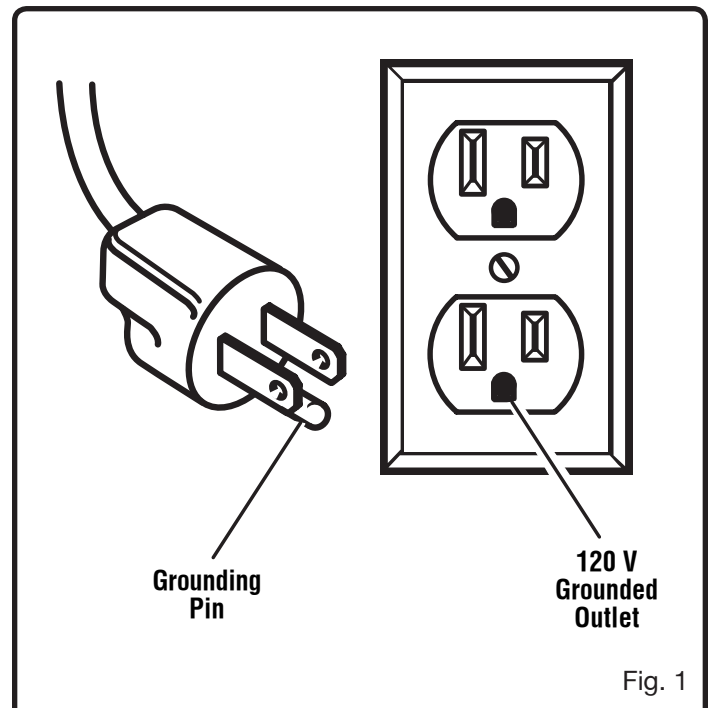


Fig. 1

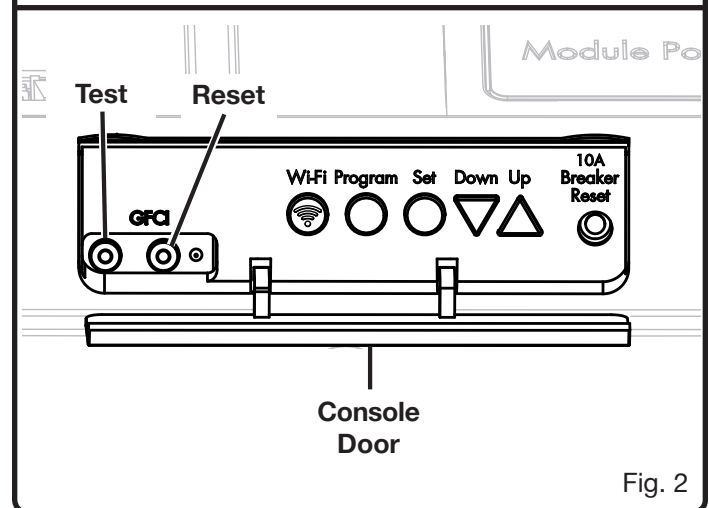


Fig. 2

FEATURES

PRODUCT SPECIFICATIONS

Module Capacity up to 7
 Max Garage Door Height 7 ft.*
 Bulb Type LED
 Drive Type Belt Drive
 Input 120V AC, 60 Hz. or 18V DC
 Motor 2 HPS**
 No Load Speed (Max) 8.5 in. per second
 Rail Length 10 ft.

Remote Detection Range 300 ft.
 Motion Sensor Detection Range 18 ft.
 Vehicle and Home HomeLink® compatible***

* An extension rail kit (GDA100EXT) is available for 8 ft. garage door assembly.
 ** Horsepower Similar (HPS) designates that this system meets RYOBI pulling force specification for a 2.0 horsepower garage door opener.
 *** HomeLink® and the HomeLink® house icon are registered trademarks of Gentex Corporation.

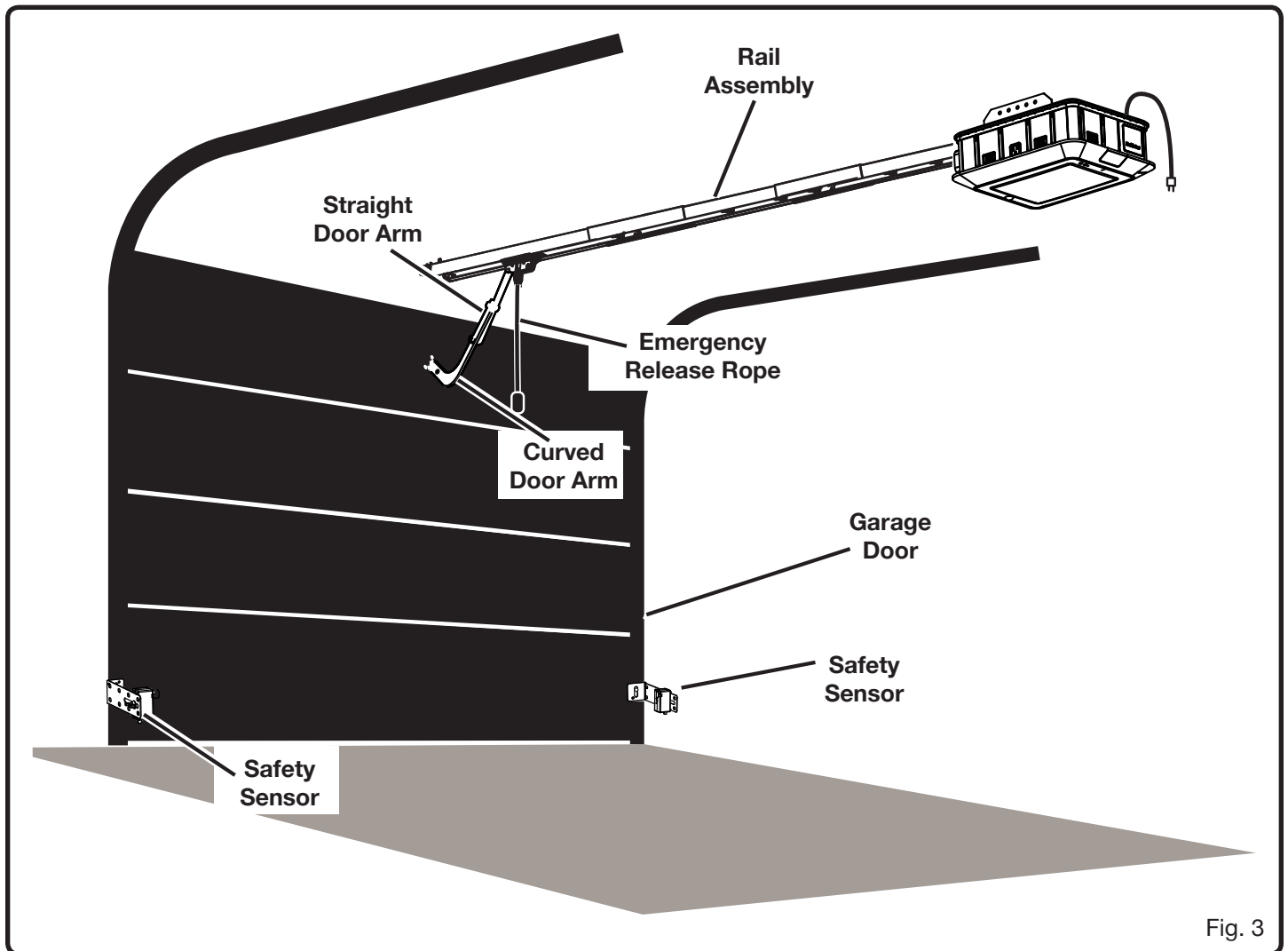


Fig. 3

FEATURES

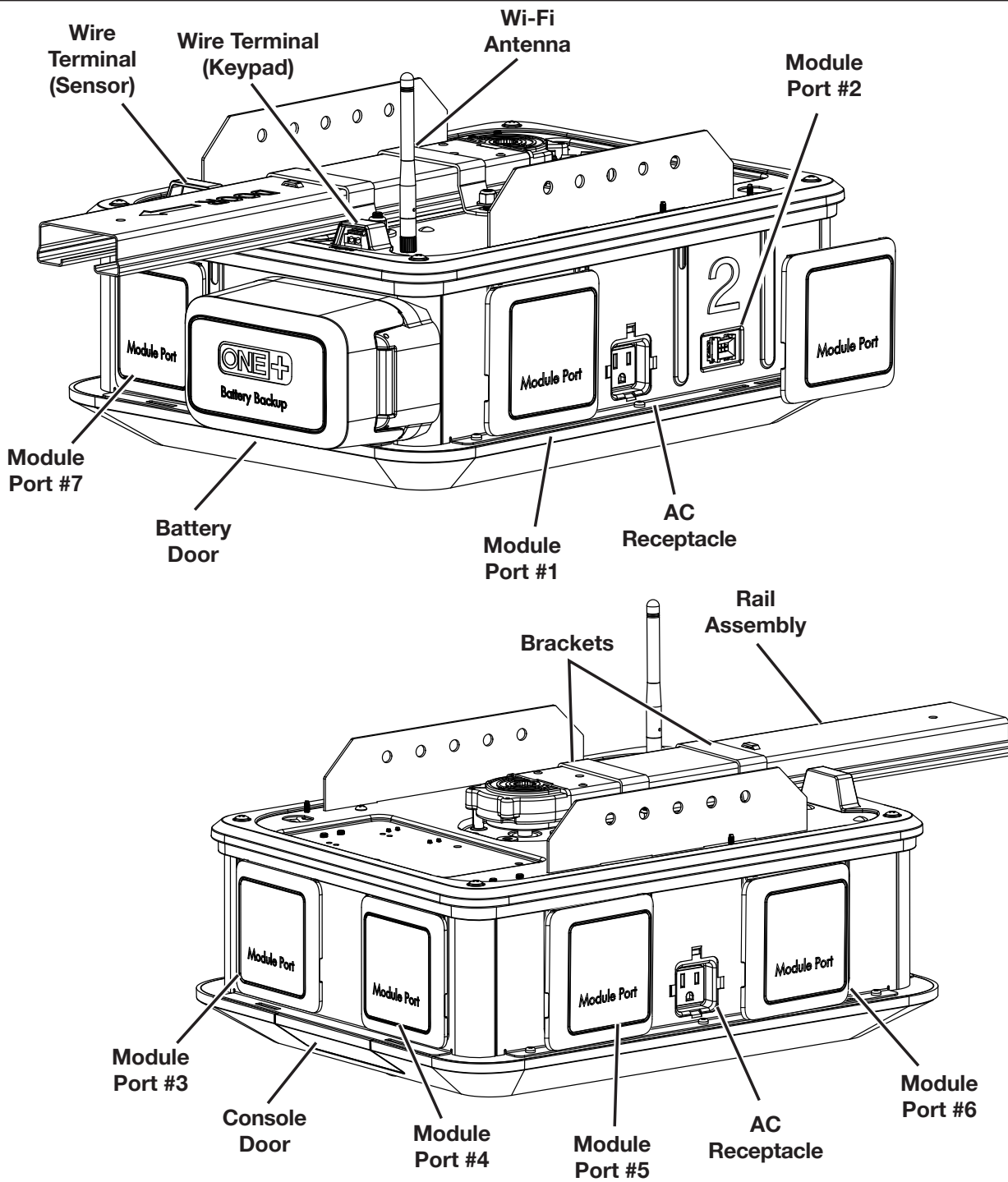


Fig. 4

FEATURES

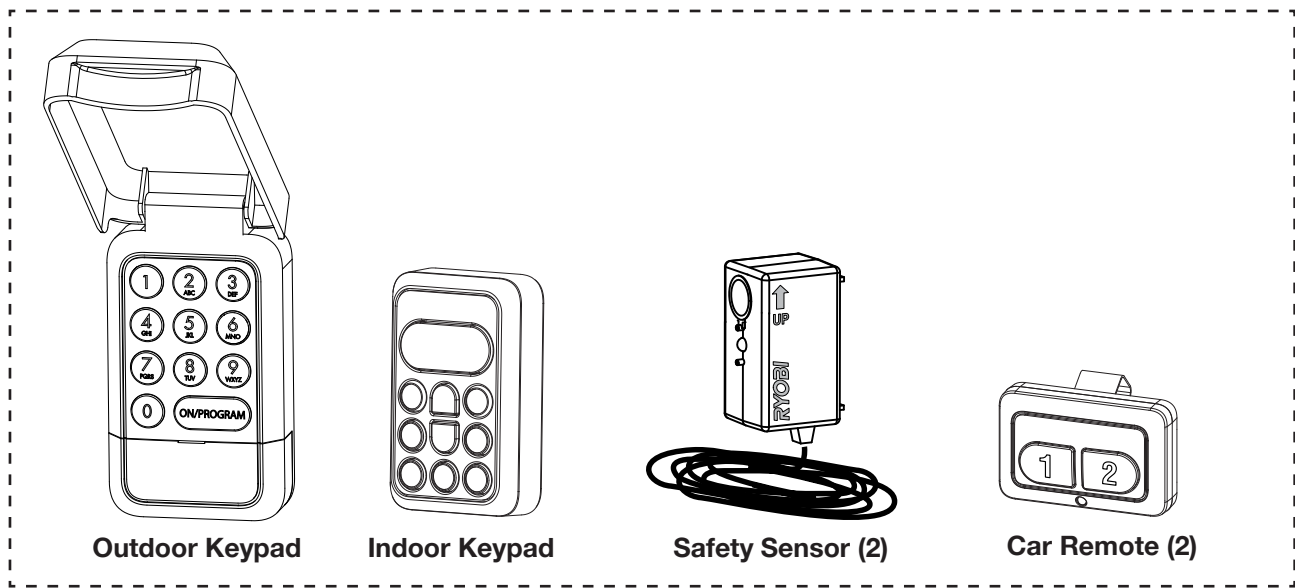
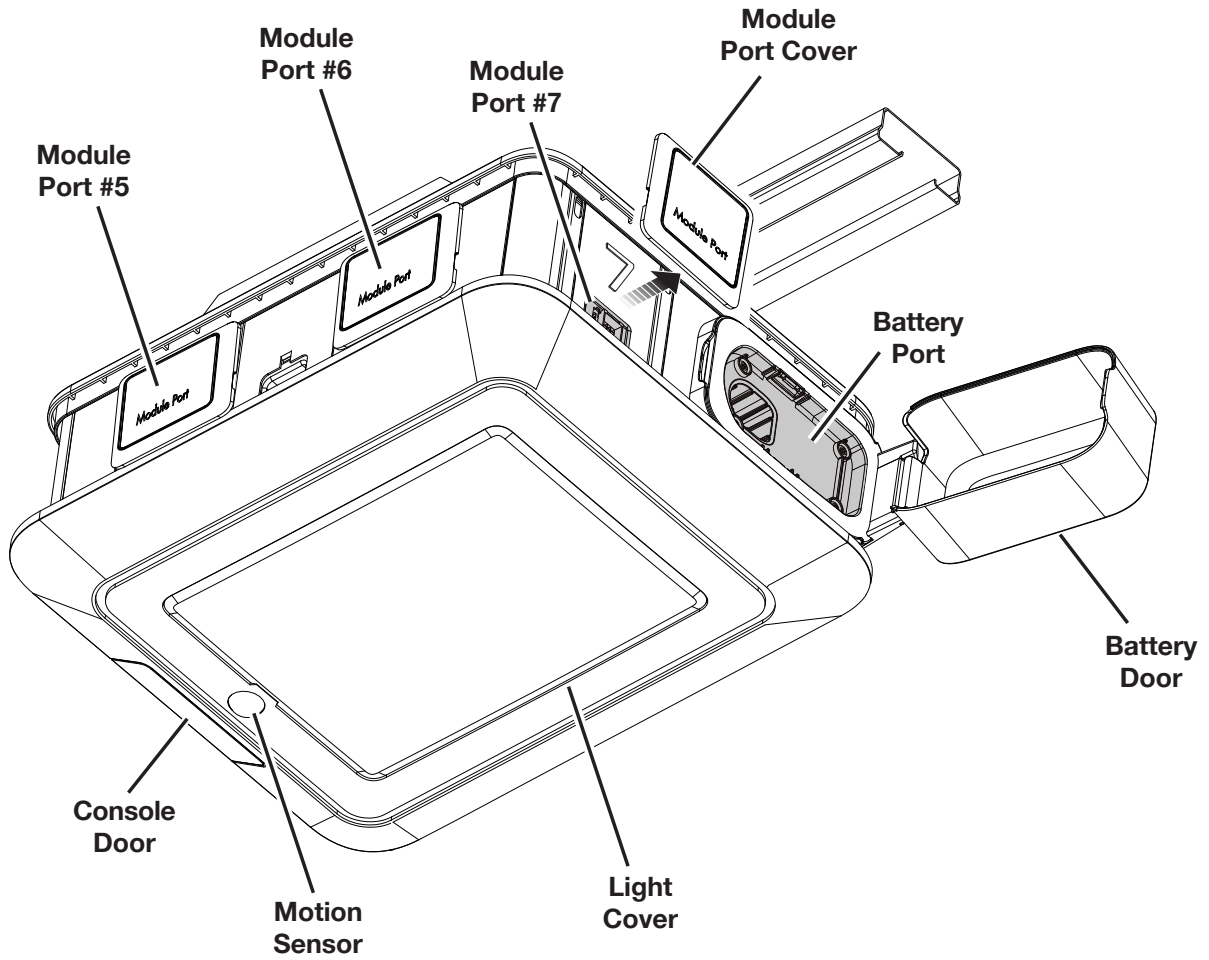


Fig. 5

FEATURES

KNOW YOUR GARAGE DOOR OPENER

See Figures 3 - 5.

The safe use of this product requires an understanding of the information on the product and in this operator's manual as well as a knowledge of the project you are attempting. Before use of this product, familiarize yourself with all operating features and safety rules.

AC RECEPTACLE

The garage door opener has two 120 Volt AC GFCI protected receptacles with a combined rating of 10 Amps. These can be used for operating AC garage door modules as well as appropriate appliances, electrical lighting, and tools.

MODULE PORTS

Your garage door opener has seven ports for operating DC garage door modules.

AUTOMATIC REVERSAL SYSTEM

When a closing garage door contacts an object that is 1-1/2 in. above the garage floor, the automatic reversal system will stop and raise the door to the fully open position.

BATTERY BACKUP

When not connected to an AC power source, the garage door opener and LED lights can be operated with RYOBI 18 Volt ONE+™ lithium-ion batteries.

CAR REMOTES

Convenient car remotes allow you to activate the garage door opener from a distance of up to 300 ft. The remotes are equipped with a visor clip, so you can store them on your car's sun visor.

BATTERY CHARGER

The built-in battery charger accepts RYOBI 18 Volt ONE+™ lithium-ion batteries.

BELT DRIVE SYSTEM

This product is equipped with a belt drive system that is quieter than traditional chain drive models.

CIRCUIT BREAKER

The circuit breaker is provided to protect the AC modules against electrical overload. The circuit breaker may be reset by pressing the circuit breaker reset button.

EMERGENCY RELEASE ROPE

In the case of an emergency or entrapment, pulling the emergency release rope will allow you to manually raise a closed garage door.

HOMELINK® COMPATIBILITY

Features on your garage door opener can be controlled by cars and homes equipped with HomeLink® control systems. HomeLink® and the HomeLink® house icon are registered trademarks of Gentex Corporation.

INDOOR KEYPAD

The indoor keypad is installed on the interior of the garage and can be used to open and close the garage door, activate the DC module ports, and turn the LED lights on and off.

LED LIGHTS

LED lights are located beneath the light cover and illuminate whenever the motor is running, the **LIGHT** (☼) button on the indoor keypad is pressed, or motion is detected. To turn the LED lights off, press the **LIGHT** (☼) button.

NOTE: By default, the LED lights will illuminate for three minutes after the **LIGHT** (☼) button is pressed. The time can be adjusted in one minute increments, between three and ten minutes, using the RYOBI Garage Door Opener Module System App.

MOTION SENSING

Passive infrared motion sensing turns the LED lights on when movement is detected in the garage.

NOTE: The motion sensor is deactivated for ten seconds each time the **LIGHT** (☼) button is pressed.

RAIL SYSTEM

The ergonomic rail design makes assembly and installation quick and easy.

SMART PHONE COMPATIBILITY

The garage door opener can be operated remotely with a smart phone using the RYOBI Garage Door Opener Module System App. For more information, visit ryobitools.com or download the app from the **App Store** or **Google Play Store**.

SAFETY SENSORS

Your garage door opener comes with two sensors that cast an invisible light beam across the opening of your garage. If an object crosses the path of the beam while the garage door is closing, the door will automatically stop and reverse to the fully open position.

VACATION MODE

To enter and exit vacation mode, press the **LOCK** (🔒) button on the indoor keypad. When in vacation mode, the garage door opener can only be controlled by the indoor keypad and smart phone app.

WIRELESS OUTDOOR KEYPAD

The wireless outdoor keypad can be used to open and close the garage door. For security, the outdoor keypad allows you to set up a custom four digit personal identification code.

LOOSE PARTS

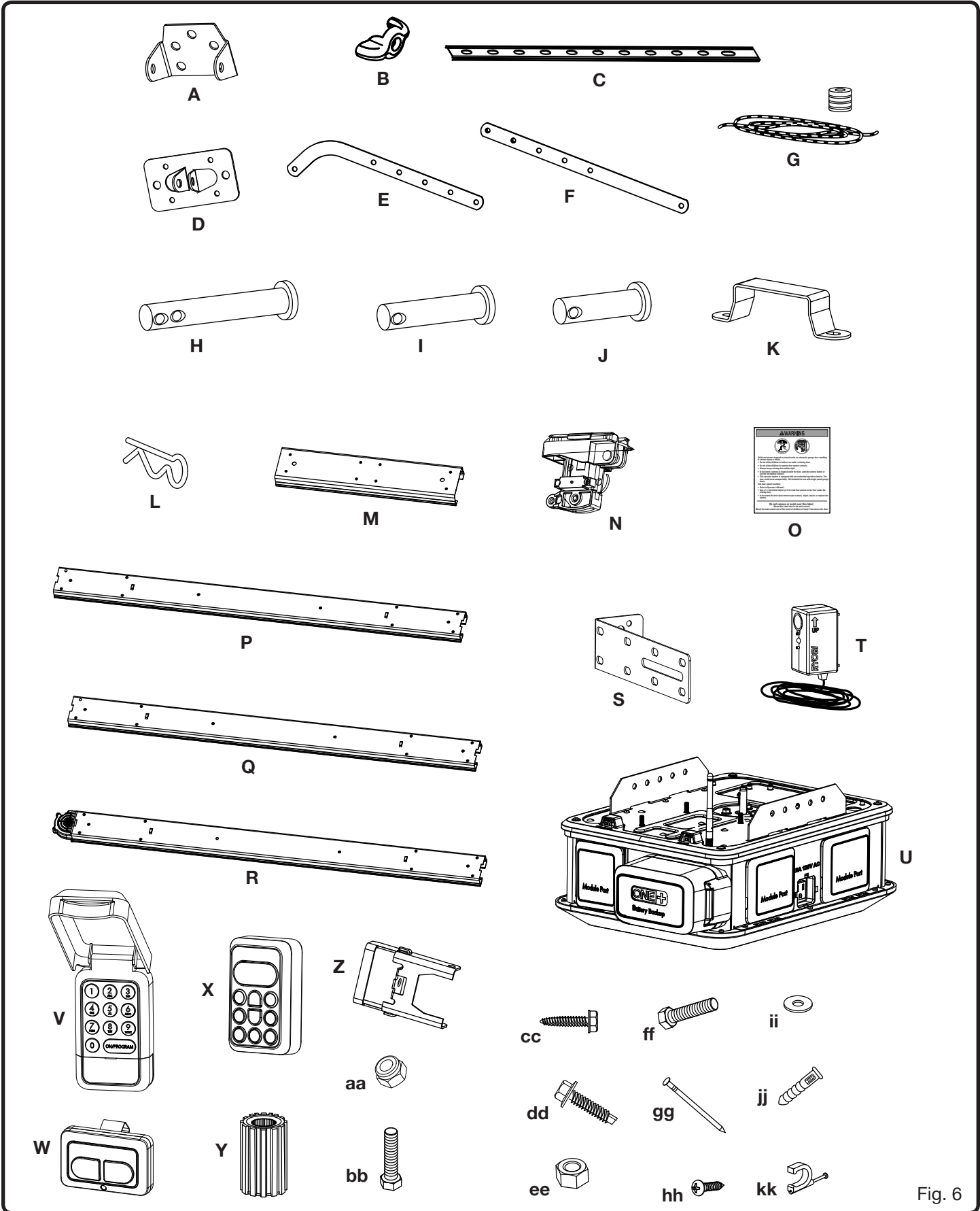


Fig. 6

LOOSE PARTS

The following items are included with your garage door opener:

A.	Header Bracket.....	1
B.	Wing Nut.....	2
C.	Mounting Strap.....	2
D.	Door Bracket.....	1
E.	Curved Door Arm.....	1
F.	Straight Door Arm.....	1
G.	Emergency Release Rope	1
H.	Large Clevis Pin.....	1
I.	Medium Clevis Pin.....	1
J.	Small Clevis Pin.....	1
K.	Bracket	2
L.	Hitch Pin	3
M.	Sleeve	2
N.	Outer Trolley.....	1
O.	Entrapment Warning Label (Eng., Fr., and Sp.)	3
P.	Front Rail.....	1
Q.	Intermediate Rail.....	1
R.	End Rail.....	1
S.	Sensor Bracket	1
T.	Safety Sensor	2
U.	Power Head	1
V.	Outdoor Keypad	1
W.	Car Remote.....	1
X.	Indoor Keypad	1
Y.	Sprocket	1
Z.	Front Brace	1
aa.	Nut (M6).....	10
bb.	Bolt (M6 x 3/4 in.).....	6
cc.	Lag Screw (M8 x 2 in.)	6
dd.	Self-tapping Screw	2
ee.	Lock Nut (M8)	2
ff.	Bolt (M8 x 1 in.).....	2
gg.	Nail (2 in.).....	2
hh.	Screw (1 in., Phillips Hd.).....	4
ii.	Washers (M6).....	6
jj.	Drywall Anchor.....	4
kk.	Insulated Staple.....	30

TOOLS NEEDED

The following tools (not included or drawn to scale) are needed for assembly and adjustments:

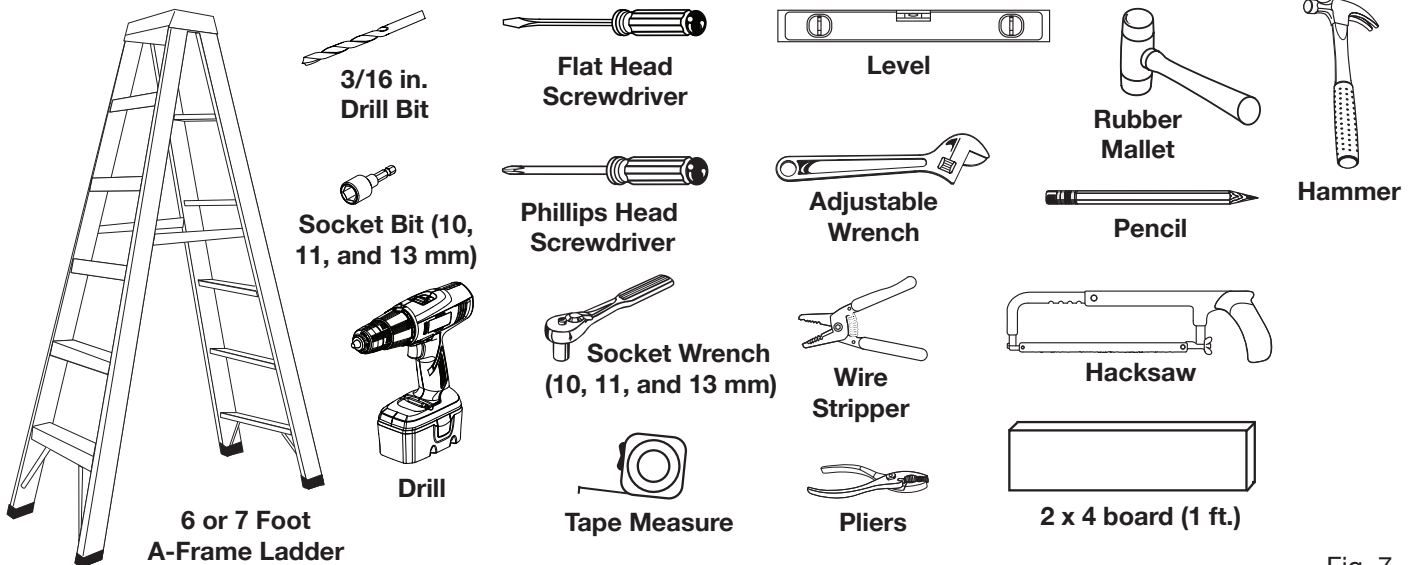


Fig. 7

ASSEMBLY

UNPACKING

This product requires assembly.

- Carefully remove the product and any accessories from the box. Make sure that all items listed in the loose parts list are included.

NOTE: This tool is heavy. To avoid back injury, lift with your legs, not your back, and get help when needed.

⚠️ WARNING:

Do not use this product if any parts on the Loose Parts List are already assembled to your product when you unpack it. Parts on this list are not assembled to the product by the manufacturer and require customer installation. Use of a product that may have been improperly assembled could result in serious personal injury.

- Inspect the tool carefully to make sure no breakage or damage occurred during shipping.
- Do not discard the packing material until you have carefully inspected and satisfactorily operated the tool.
- If any parts are damaged or missing, please call 1-877-205-5714 for assistance.

⚠️ WARNING:

If any parts are damaged or missing do not operate this tool until the parts are replaced. Use of this product with damaged or missing parts could result in serious personal injury.

⚠️ WARNING:

Do not attempt to modify this tool or create accessories not recommended for use with this tool. Any such alteration or modification is misuse and could result in a hazardous condition leading to possible serious personal injury.

⚠️ WARNING:

Do not connect to power supply until assembly is complete. Failure to comply could result in accidental starting and possible serious personal injury.

ASSEMBLY

⚠ WARNING:

Always wear eye protection with side shields marked to comply with ANSI Z87.1 when assembling and performing maintenance on this product. Failure to do so could result in objects being thrown into your eyes resulting in possible serious injury.

NOTICE:

Many of the illustrations in this manual show only portions of the garage door opener. This is intentional so that we can clearly show points being made in the illustration. Never operate the garage door opener without all parts securely in place and in good operating condition.

ASSEMBLING THE RAILS

See Figures 8 - 18.

- Locate the following items:
 - Front Brace
 - End Rail
 - Intermediate Rail
 - Front Rail
 - Sleeves (2)
 - Outer Trolley
- Remove tie wrap from rail and pulley.
- Pull the front pulley and belt through the end rail and into a sleeve.
- Slide the outer trolley into the end rail.
- Pull the release lever down and move outer trolley toward the inner trolley until they are engaged.

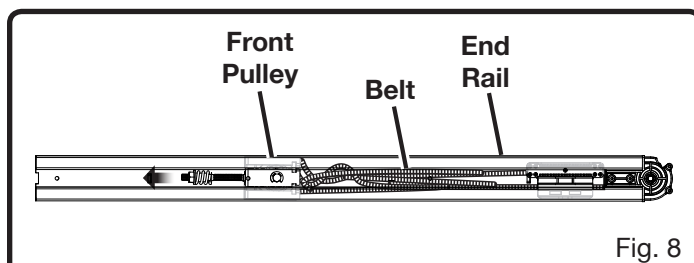


Fig. 8

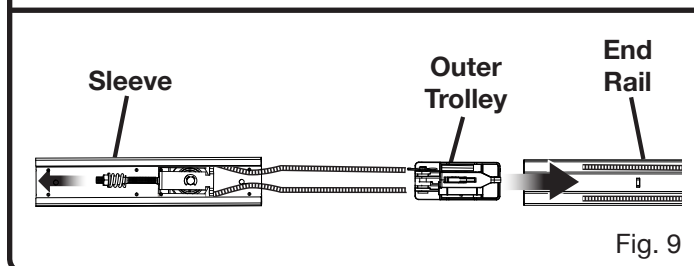


Fig. 9

- Insert the edge of the end rail into the sleeve. Slide together until rail clicks in place. If you cannot get the rail to fit by hand, try gently tapping it with a rubber mallet until it is snug and clicks into place. **Be careful not to pinch or damage the belt.**
- Repeat this process to attach the intermediate rail, second sleeve, and then the front rail. When assembled correctly, the rails should not separate easily when pulled.
- Pull the front pulley and belt through the first sleeve, the intermediate rail, the second sleeve, and to the top of the front rail.
- Turn the tension nut on the pulley rod counterclockwise to loosen. Remove the tension nut and spring from the pulley rod.

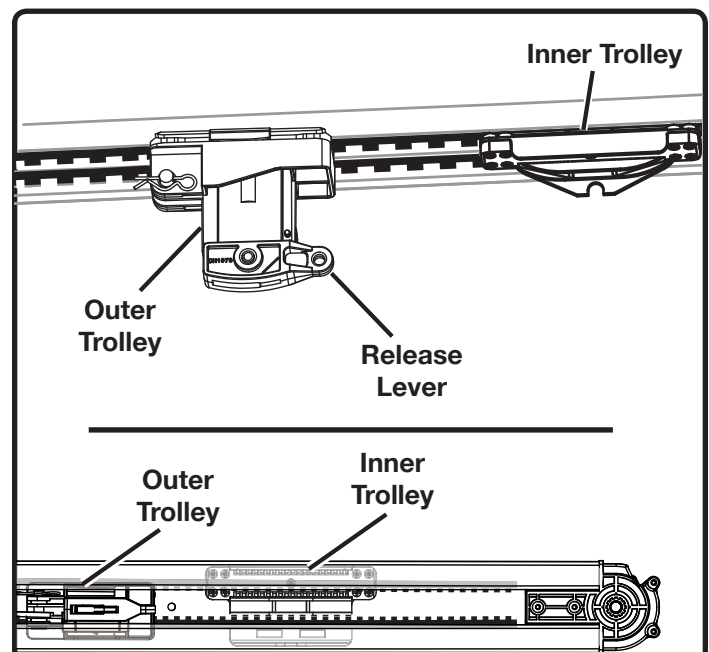


Fig. 10

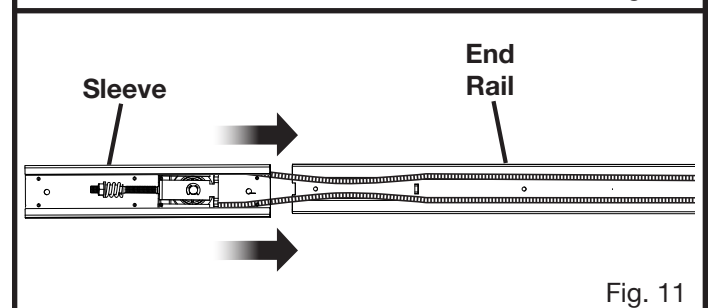


Fig. 11

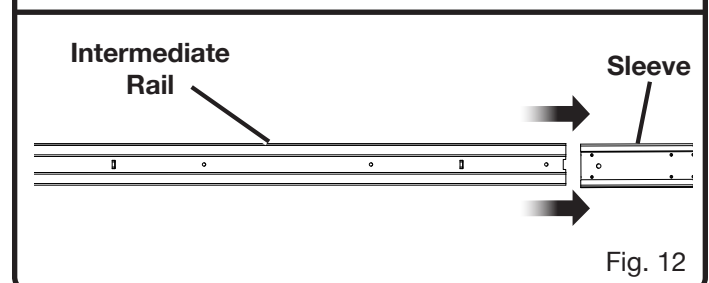
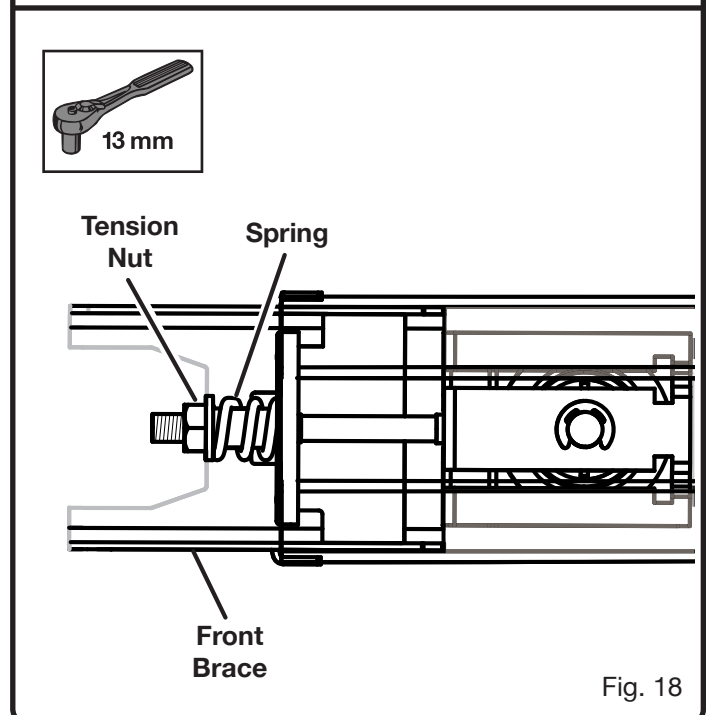
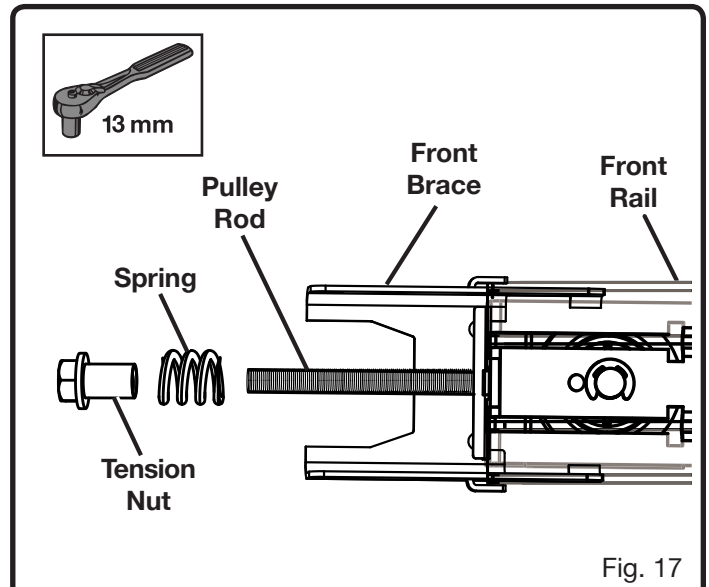
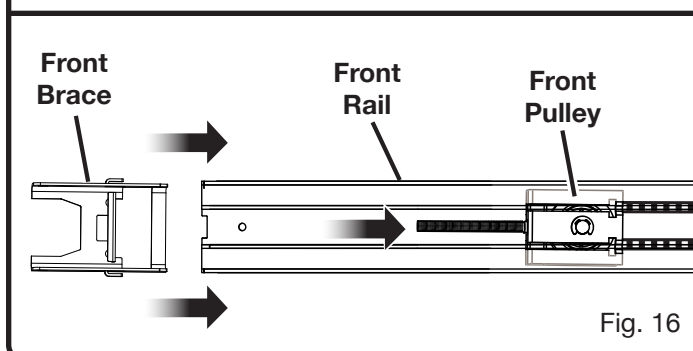
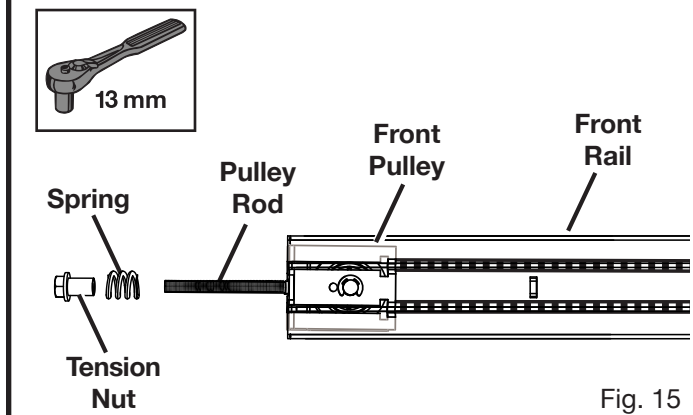
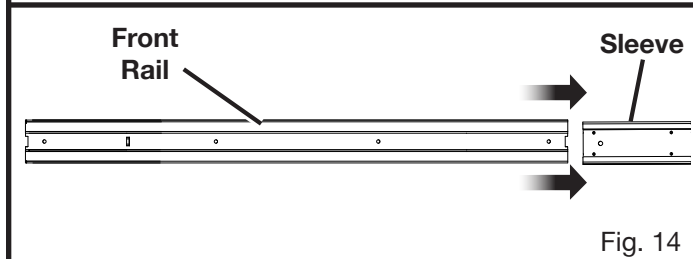
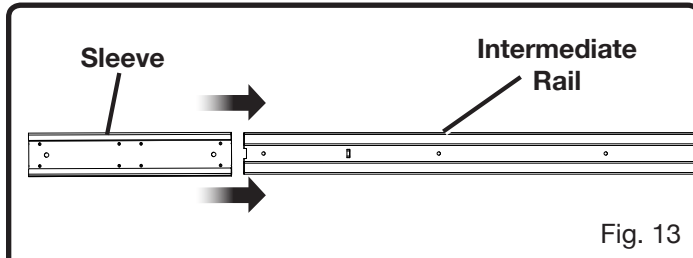


Fig. 12

ASSEMBLY

- Move the front pulley toward the middle of the front rail.
- Insert the edge of the front brace into the front rail. Slide together until brace clicks in place. If you cannot get the brace to fit by hand, try gently tapping it with a rubber mallet until it is snug.

- Pull the front pulley forward and slide the rod through the hole in the brace.
- Install spring and tension nut onto pulley rod.
- Move the inner and outer trolley to the middle of the rail assembly.

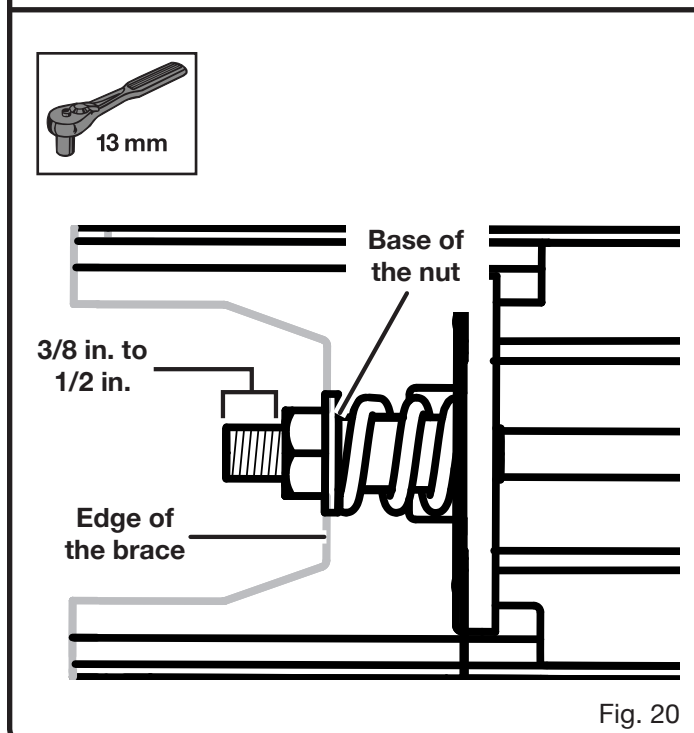
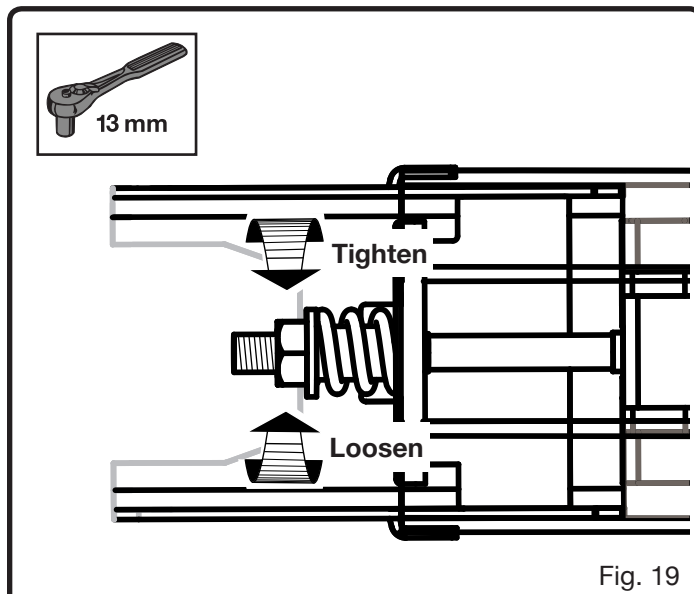


ASSEMBLY

ADJUSTING THE BELT TENSION

See Figures 18 - 21.

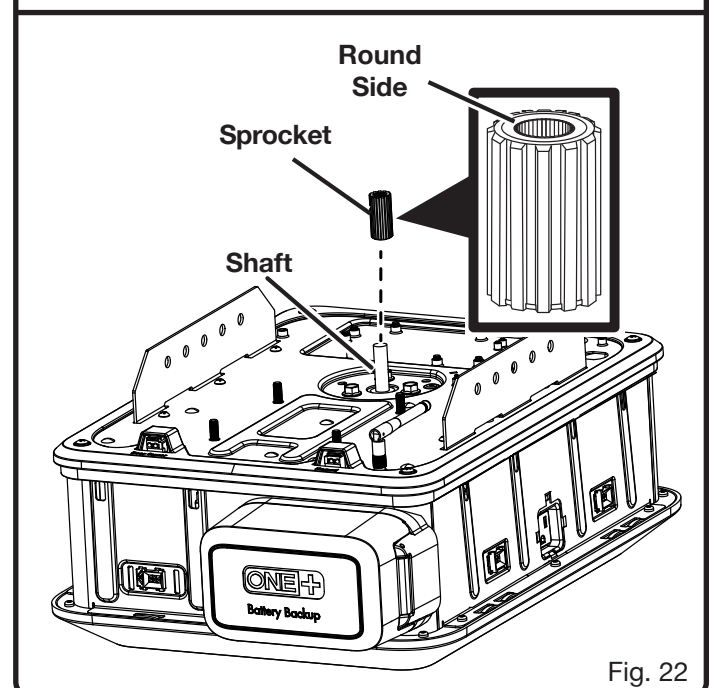
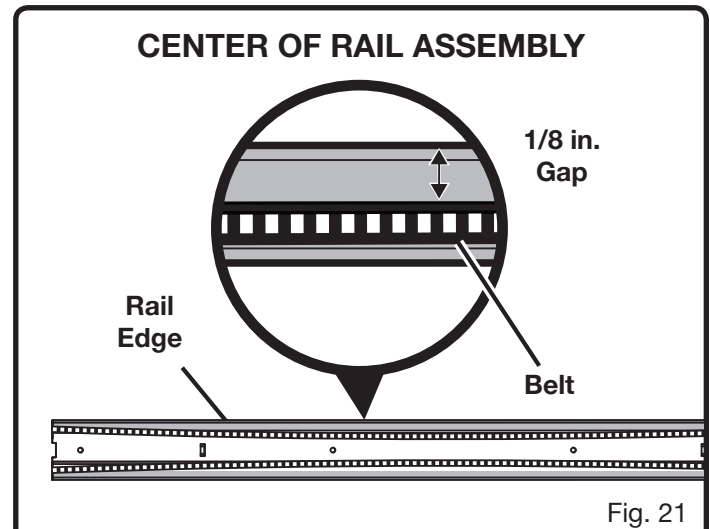
- Using a 13 mm socket, turn the tension nut clockwise to tighten the belt and counter-clockwise to loosen it. Adjust the nut until there is approximately 3/8 to 1/2 in. of exposed thread showing above it or until the base of the nut is aligned with the edge of the brace.
- When properly tensioned, there should be about a 1/8 in. gap between the belt and the edges of the intermediate rail near the center of the rail assembly.



ATTACHING RAIL ASSEMBLY TO POWER HEAD

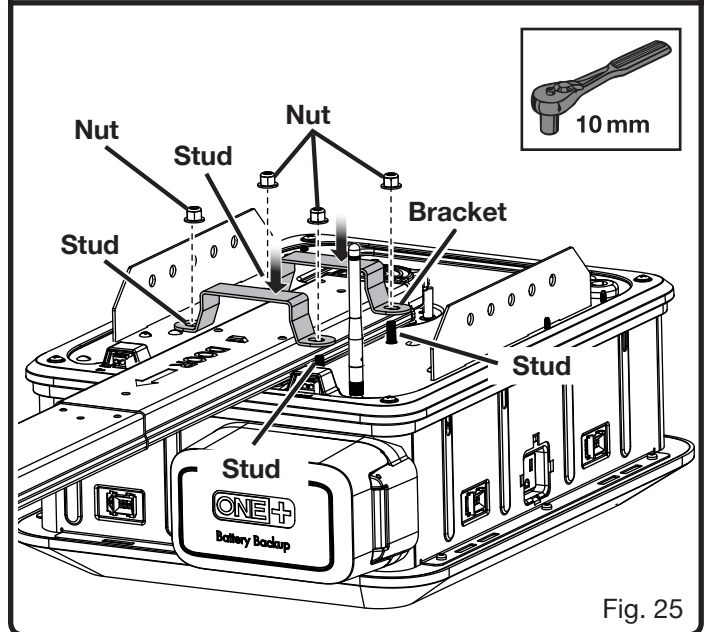
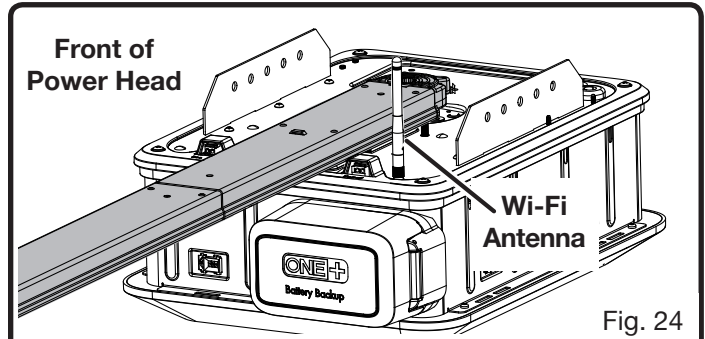
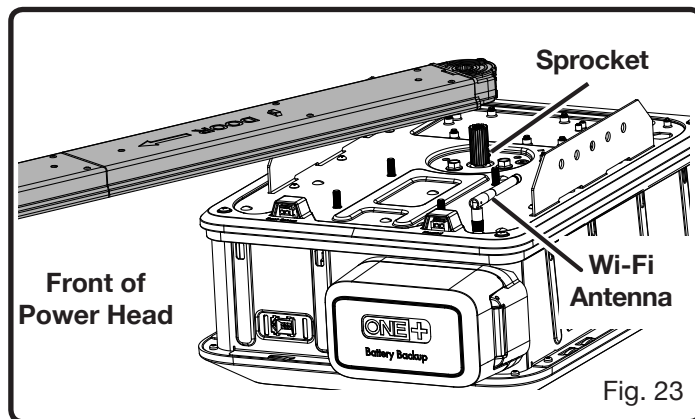
See Figures 22 - 25.

- Locate the following items:
 - Power Head
 - Bracket (2)
 - Nut (M6) [4]
 - Sprocket
 - Rail Assembly
- Place the power head on a towel or the packaging material with the light cover facing down.
- Remove the tape securing the Wi-Fi antenna and raise it to an upright position to ensure the best Wi-Fi signal.
- Place the sprocket onto the motor shaft with the round side of the sprocket facing up.



ASSEMBLY

- Hold the rail assembly above the power head with arrow pointing toward the front of the power head and the garage door.
- Rotate the rail assembly until the opening in the rail is aligned with the sprocket.
- Lower the end rail onto the sprocket with the channel (open end) facing down. Slowly rotate the rail to the correct orientation as you lower it into position.
- When installed correctly, the teeth on the sprocket should engage the rail assembly and the rail should sit flat on the power head.
- Place the brackets on top of the studs, and over the end rail.
- Place nuts onto the studs and tighten using a 10 mm socket. **Do not overtighten.**



INSTALLATION

IMPORTANT INSTALLATION INSTRUCTIONS

WARNING: **TO REDUCE THE RISK OF SEVERE INJURY OR DEATH:**

1. READ AND FOLLOW ALL INSTALLATION INSTRUCTIONS.
2. Install only on a properly balanced garage door. An improperly balanced door could cause severe injury. Have a qualified service person make repairs to cables, spring assemblies and other hardware before installing opener.
3. Remove all ropes and remove or make inoperative all locks connected to the garage door before installing opener.
4. Where possible, install door opener 7 feet or more above the floor. For products having an emergency release, mount the emergency release within reach, but at least 6 feet above the floor and avoiding contact with vehicles to avoid accidental release.
5. Do not connect opener to source of power until instructed to do so.
6. Locate control button: (a) within sight of door, (b) at a minimum height of 5 feet so small children cannot reach it, and (c) away from all moving parts of the door.
7. Install Entrapment Warning Label next to the control button in a prominent location. Install the Emergency Release Marking. Attach the marking on or next to the emergency release.
8. After installing opener, the door must reverse when it contacts a 1-1/2 inch high object (or a 2 by 4 board laid flat) on the floor.
9. **WARNING:** To reduce the risk of injury to persons - Only enable the unattended operation feature when installed on a sectional door.

WARNING:

To reduce the risk of injury to persons – Only enable the RYOBI Garage Door Opener Module System App feature when installed with a sectional door.

WARNING:

Do not connect to power supply until installation is complete. Failure to comply could result in accidental starting and possible serious personal injury.

WARNING:

To avoid serious personal injury, make sure the garage door opener is mounted to joists. Never mount the unit to drywall or false ceiling grids.

WARNING:

Always wear eye protection with side shields marked to comply with ANSI Z87.1 when installing this product. Failure to do so could result in objects being thrown into your eyes resulting in possible serious injury.

NOTICE:

Many of the illustrations in this manual show only portions of the garage door opener. This is intentional so that we can clearly show points being made in the illustration. Never operate the garage door opener without all parts securely in place and in good operating condition.

WARNING:

If you feel uncomfortable performing any of the installation steps described in this manual, have the installation performed by a qualified service person. Improper installation of the garage door opener can result in death, serious personal injury, or property damage.

INSTALLATION

CHECK THE CONDITION OF THE DOOR AND IDENTIFY THE SPRING TYPE

See Figure 26 - 28.

⚠ WARNING:

If the garage door does not move smoothly, binds, or is out of balance, have it repaired or replaced by a qualified service person. An unbalanced or damaged garage door may not reverse on command, which can result in death or serious personal injury.

NOTICE:

The garage door opener may not function as intended if installed onto an unbalanced garage door.

- Remove any ropes attached to the garage door.
- Disable any and all door locks.
- Raise and lower the door to ensure it moves smoothly.
- Check the balance of the door. Raise the door until it is half open and release it. If properly balanced, the door will remain in this position without moving.

NOTE: For single-panel garage doors, balance can be checked at two additional positions. Raise the door until it is nearly in the fully open position (about shoulder height) and release it. If properly balanced, the door should move to the fully open position. Lower the door until it is nearly in the fully closed position (about knee height). If properly balanced, the door should move to the fully closed position.

- If the door does not move smoothly, binds, or is out of balance, this could indicate a problem with the door, door springs (torsion spring and/or extension spring), or door spring components. Have the garage door or door springs repaired by a qualified service person before installing garage door opener.

⚠ WARNING:

Never attempt to loosen, adjust, or remove the door springs (torsion spring and/or extension spring), door spring components, or any surfaces to which these items are secured. These items are under extreme tension and any such alteration could result in death, serious personal injury, or property damage.

- If the door moves smoothly and is balanced, you may begin installing the garage door opener.

Half-Open Position

Sectional Door

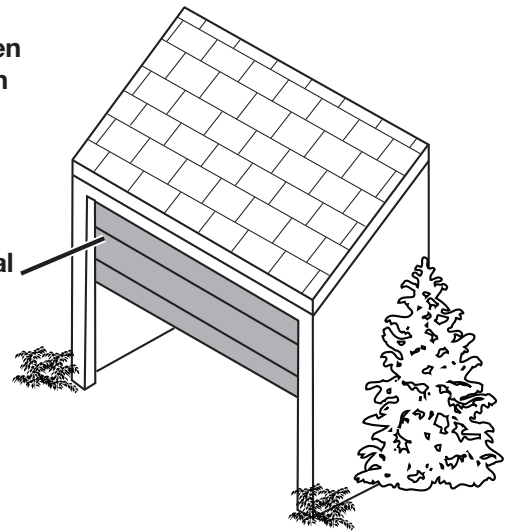


Fig. 26

Half-Open Position

Single-Panel Door

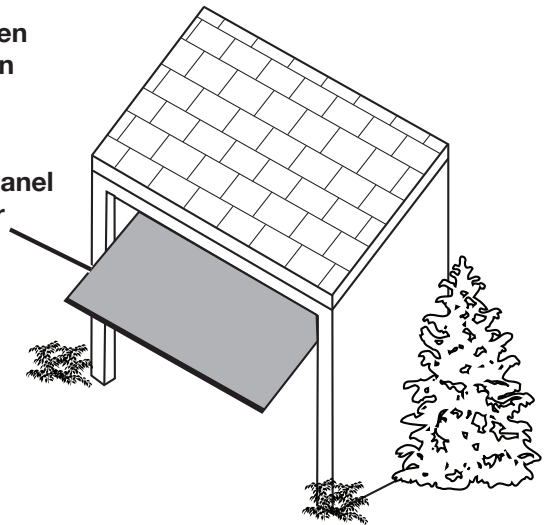


Fig. 27

Torsion Spring

Extension Spring

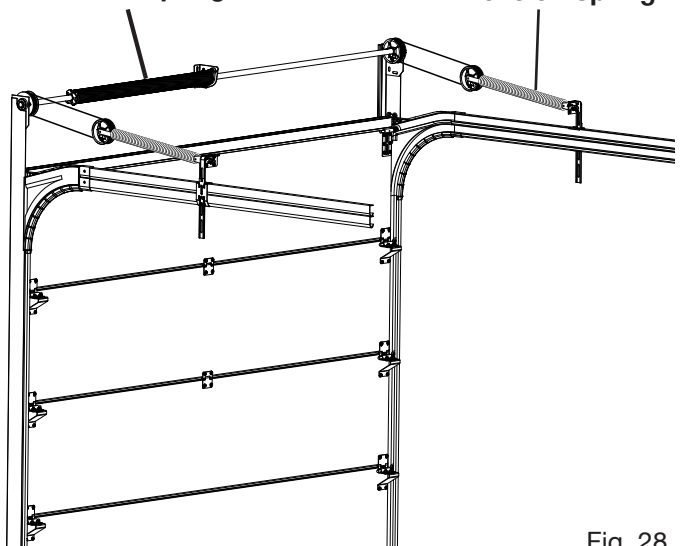


Fig. 28

INSTALLATION

INSTALLING THE HEADER BRACKET

See Figures 29 - 31.

⚠ WARNING:

To avoid serious personal injury, attach header bracket to sound structural support on header wall. NEVER install the header bracket into weak surfaces such as drywall that can cause the header bracket to fall.

⚠ WARNING:

ALWAYS use lag screws and concrete anchors (not included) when installing the header bracket or 2x4 into concrete, brick, or other masonry. Failure to properly install the header bracket and associated hardware can result in a falling object hazard and result in death or serious personal injury.

⚠ WARNING:

Only install screws, bolts, anchors, and other hardware into sound structural supports in areas where no electrical wires, utility cables, pipes, or other obstructions are located. Contact your local utility company or a qualified electrician if you are unsure. Ensure all hardware components are securely installed to prevent falling objects. Failure to follow these instructions can result in death, electrical shock, or other serious personal injury.

Always install the header bracket onto a sturdy surface. The force required to raise and lower the garage door could pull the bracket and mounting hardware out of weak surfaces such as drywall. For some installations, it may be necessary to create a suitable location for the bracket by installing a

2 x 4 board. The 2 x 4 board can be installed between two studs or into masonry using lag screws and concrete anchors (not supplied).

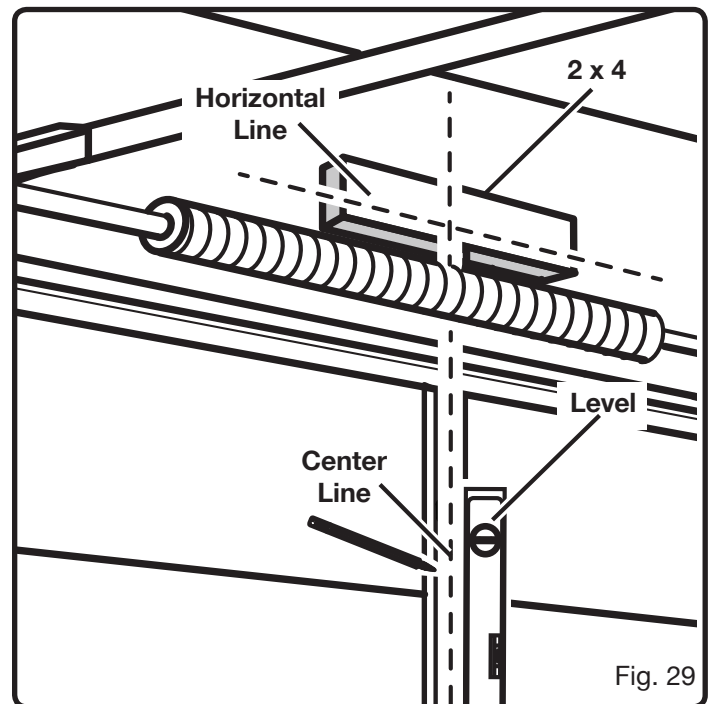
- Locate the following items:

Header Bracket

Lag Screw (M8 x 2 in.) [4]

To install the bracket to the header wall:

- Lower the garage door completely.
- Using a pencil and a level, draw a vertical line in the center of the top portion of the garage door.
- Continue drawing the center line from the door to the header wall. Extend the line to about a foot above the garage door or as far as possible.

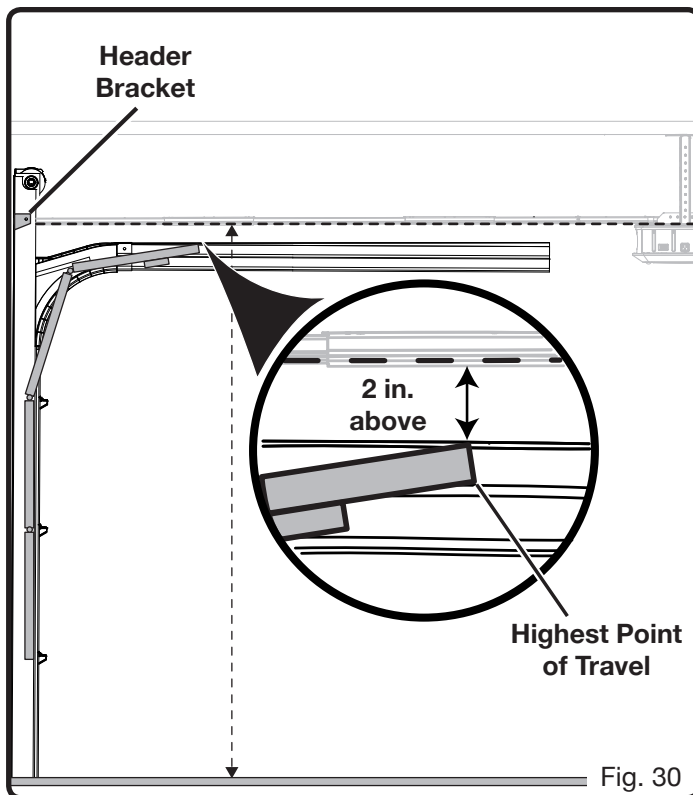


INSTALLATION

- Stand on a ladder near the garage door as someone slowly raises it. While it's moving, find and mark the highest point of travel along the center line. The high point will vary based on the type and construction of your garage door, but typically it will be 10-12 inches above the top of the door.

⚠ WARNING:

Use extreme care when standing on a ladder. Ensure someone is holding the ladder on the ground to keep it stable. Failure to safely use a ladder can cause a fall and result in death or serious personal injury.

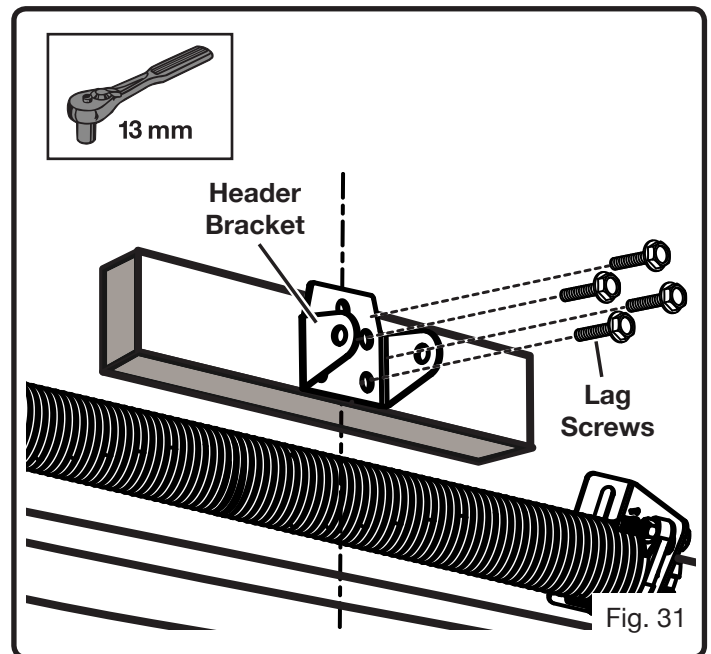


- Draw a bisecting horizontal line above the high point:
 - For sectional or single-panel garage doors with tracks, the line should be approximately two inches above the high point.

- For single-panel garage doors without tracks, the line should be approximately 8 in. above the high point.

NOTE: The position of the horizontal line will determine the clearance between the top of the door and the rail assembly. If the height of your garage prohibits you from drawing the line as specified above, draw it as far above the high point as possible.

- Orient the header bracket as shown in figure 28.
- Place the bottom edge of the header bracket on the horizontal line and center the bracket on the center line.
- Mark the holes in the bracket.
- Drill 3/16 in. pilot holes and secure the bracket in place using lag screws. Install screws with a 13 mm socket.



INSTALLATION

ATTACHING RAIL ASSEMBLY TO HEADER BRACKET

See Figure 32.

- Locate the following items:

Large Clevis Pin

Hitch Pin

- Place the power head on top of a prop or on the ground with a towel or packaging material beneath it.

- Angle the rail assembly so that it rests against the header bracket.

NOTE: If a door spring or other obstruction is in the way, have someone hold the garage door opener or help to balance it on a raised support while you position the rail assembly.

- Align the holes in the bracket with the holes in the rail assembly as shown.

- Insert large clevis pin and secure with hitch pin.

NOTE: The hitch pin should be installed into the first hole closest to the head of the pin.

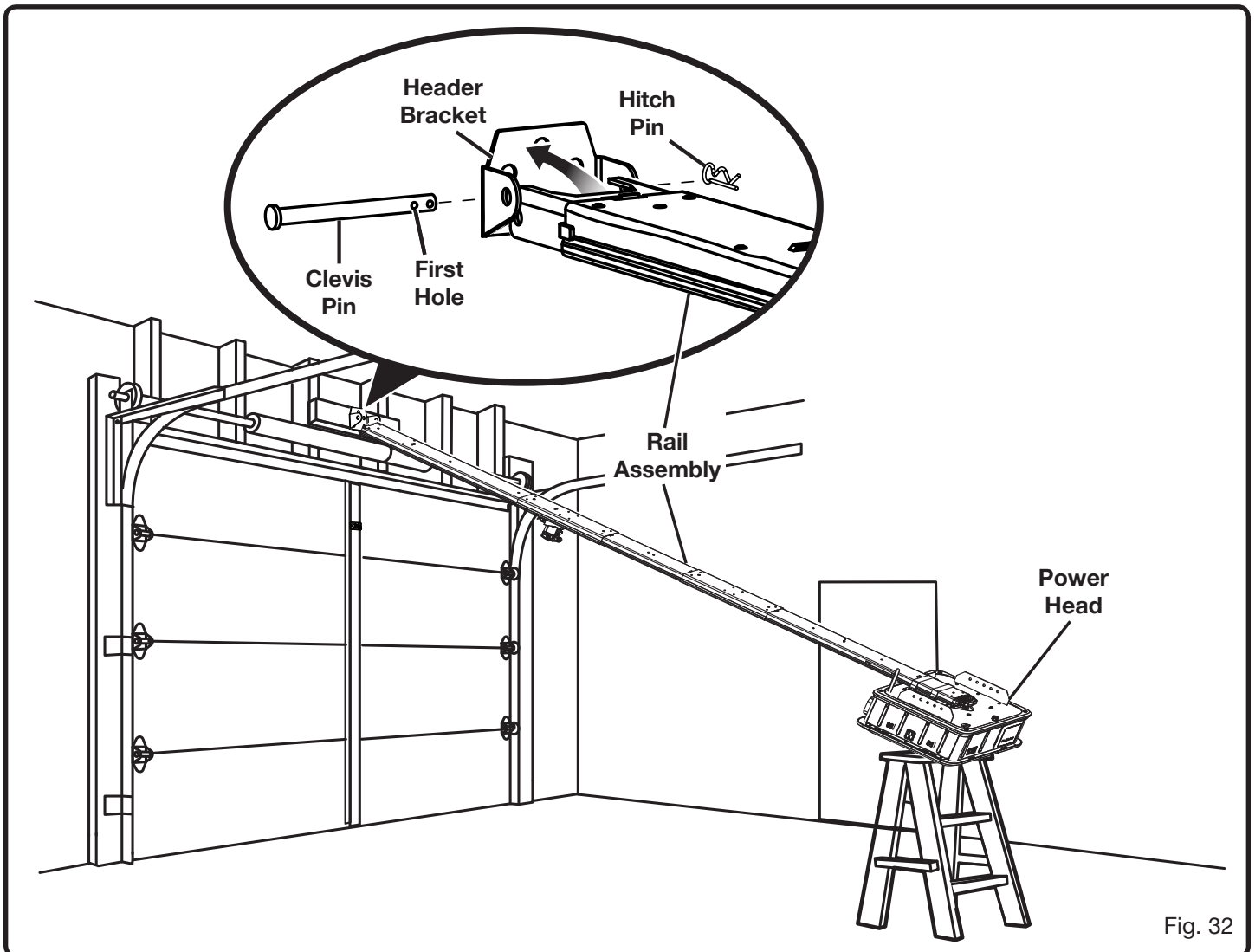


Fig. 32

INSTALLATION

MOUNTING THE POWER HEAD TO THE CEILING

See Figures 33 - 38.

⚠ WARNING:

Mount garage door opener to sound structural support on ceiling. NEVER mount the garage door to drywall or false ceiling grids. ALWAYS use concrete anchors when installing brackets into concrete, brick, or other masonry. Failure to properly mount the power head can cause it to fall and could result in death, serious personal injury, or property damage.

- Locate the following items:

Mounting Strap (2)

Bolt (M6 x 3/4 in.) [6]

Washer (M6) [6]

Nut (M6) [6]

- Lower the garage door completely.
- Measure the space between the header bracket and the ceiling.

NOTE: For unfinished ceilings, measure the space between the header bracket and the nearest joists on either side.

- Carefully lift the power head and place it on top of a ladder.
- Move the power head until it is aligned with the header bracket and the rail assembly is over the center line of the door.

- Pull the trolley release lever down and slide outer trolley completely toward the power head.

NOTE: The proper configuration and placement of brackets and mounting straps will vary based on the design and construction of your garage ceiling. Figures 34 - 38 are meant to serve as examples but your setup may vary.

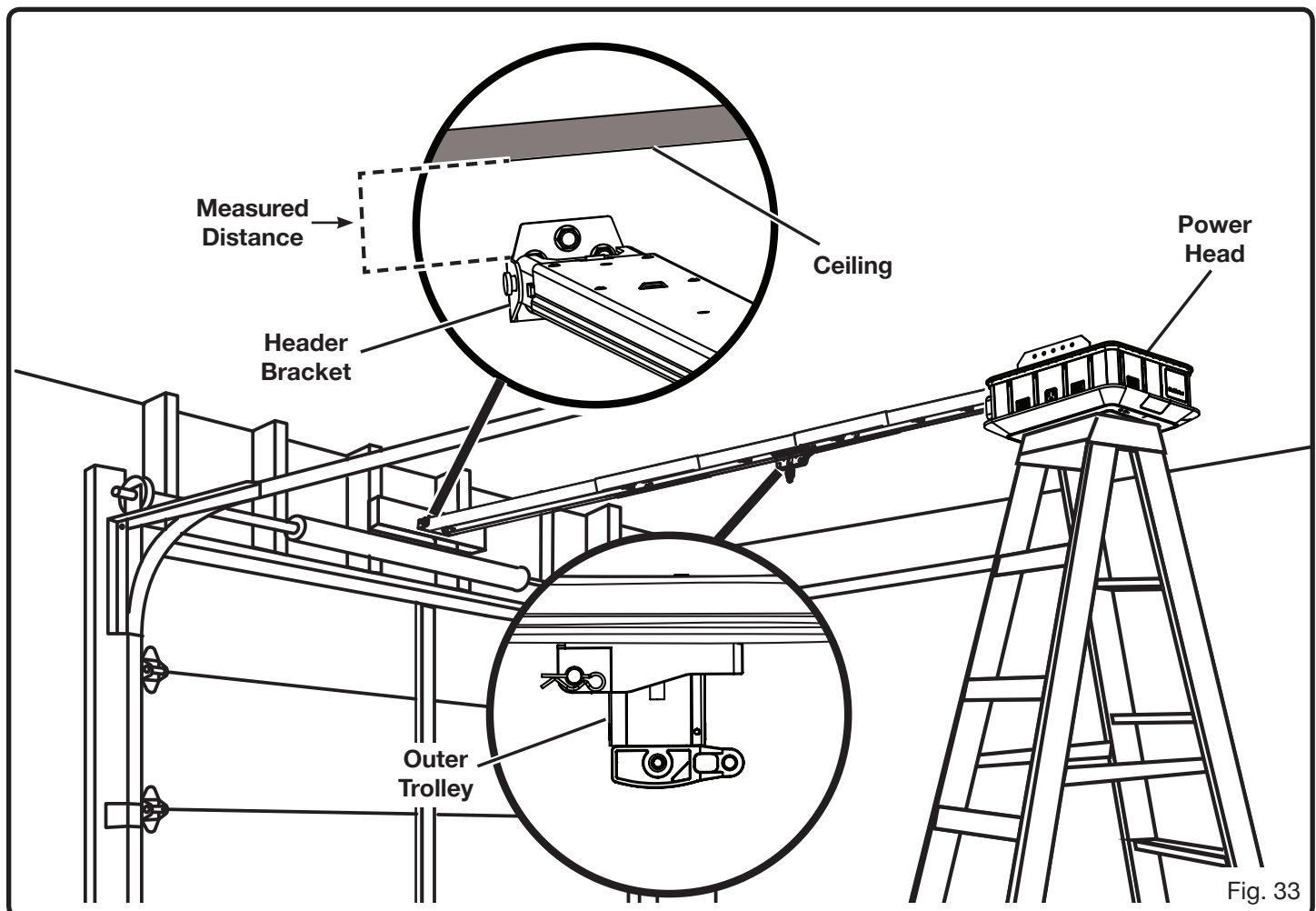


Fig. 33

INSTALLATION

To mount the power head to finished ceilings:

- Install center bracket or brackets (not supplied) to the nearest joists or other structural supports in garage ceiling using lag screws (not supplied).

- Using a hack saw, cut pieces of the mounting straps that are a half inch longer than the measured length between the header bracket and the ceiling.

NOTE: Mounting straps that will be attached diagonally should be cut longer than the vertical measured distance in figure 33.

- Connect straps to garage door opener and brackets using bolts, washers, and nuts. Tighten bolts and nuts with a 10 mm socket.

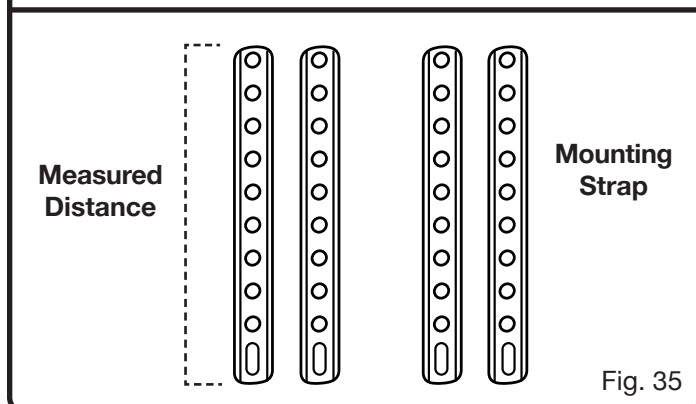
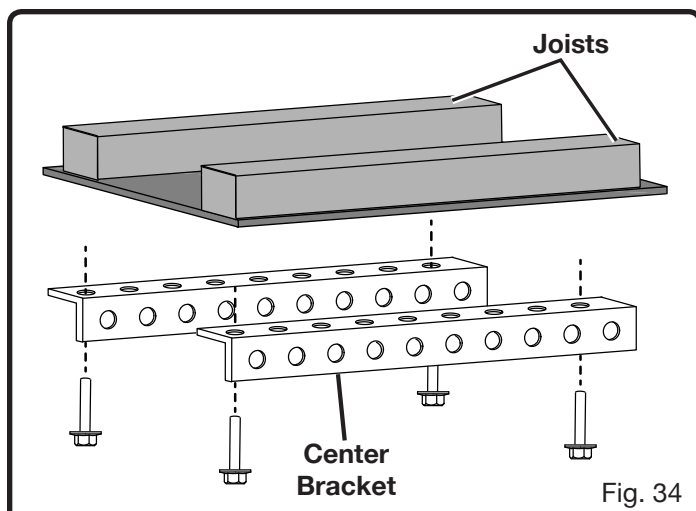
NOTE: Install straps and nuts on the inside of the brackets (facing the rail).

- Remove the ladder and raise the door. If there isn't enough clearance between the rail assembly and the door, move the header bracket up and repeat the steps above.

To mount the power head to unfinished ceilings:

- Using a hack saw, cut pieces of the mounting straps that are a half inch longer than the measured lengths between the header bracket and the nearest joists on either side.

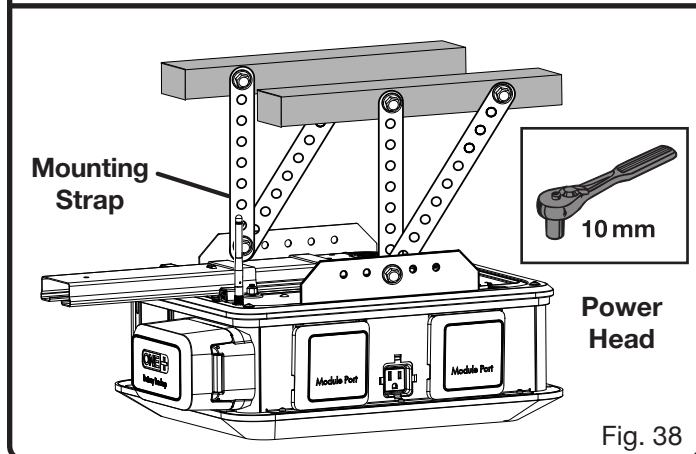
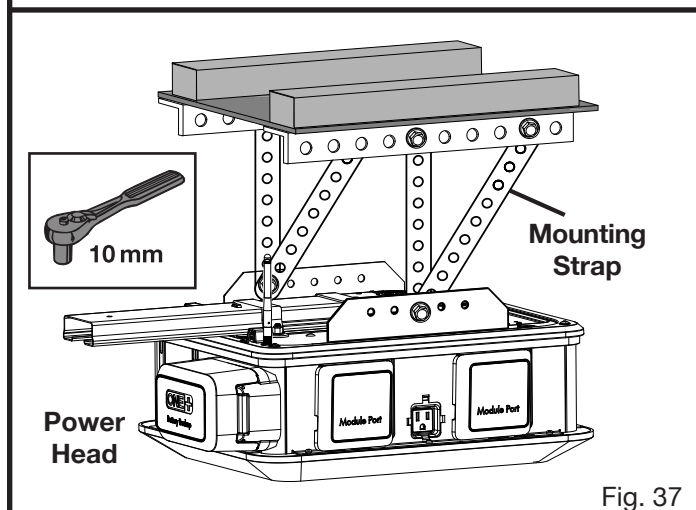
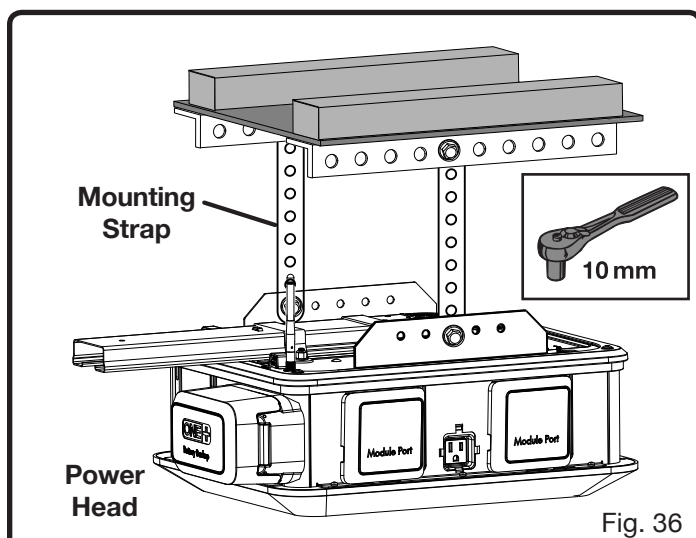
NOTE: Mounting straps that will be attached diagonally should be cut longer than the vertical measured distance in figure 33.



- Connect straps to garage door opener and to the joists using bolts, washers, and nuts (see figure 38). Tighten bolts and nuts with a 10 mm socket.

NOTE: Install straps and nuts on the inside of the brackets (facing the rail).

- Remove the ladder and raise the door. If there isn't enough clearance between the rail assembly and the door, move the header bracket up and repeat the steps above.



INSTALLATION

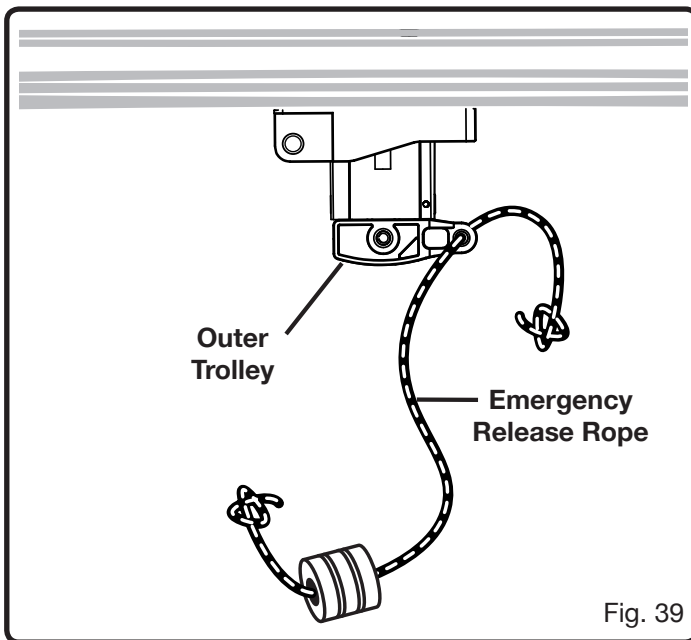
ATTACHING THE EMERGENCY RELEASE ROPE

See Figures 39.

⚠ WARNING:

Do not engage the emergency release while the garage door is open, do not use the emergency release rope to raise or lower the garage door, and only engage the emergency release when the door way is clear of all people, pets, and obstructions. Failure to properly engage the emergency release can result in death or serious personal injury resulting from a falling garage door.

- Locate the following item:
Emergency Release Rope
- Lower the garage door completely.
- Insert one end of the emergency release rope through the hole in the handle and tie a knot at the bottom.
- Insert the other end of the emergency release rope through the hole in the trolley release lever. Pull the rope up until it is approximately six feet above the garage floor, then tie a knot.



INSTALLING THE DOOR BRACKET

See Figures 40 - 43.

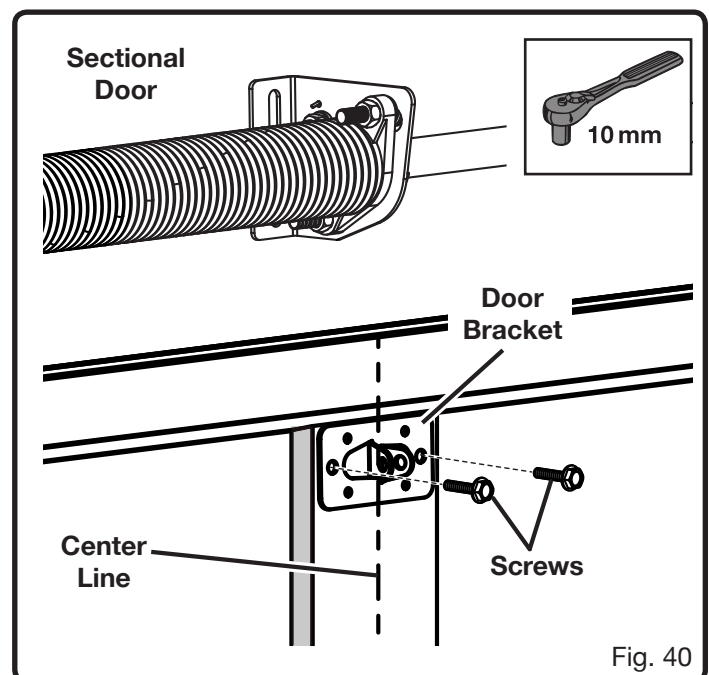
- Locate the following items:
Door Bracket
Self-tapping Screws (2)

NOTICE:

Before installing the door bracket, ensure that your door has proper horizontal and vertical support. Aluminum, fiberglass, and other light weight garage doors may require vertical or horizontal reinforcement. Check with your garage door manufacturer or installer for reinforcement instructions. Installing a garage door opener on a door that is not properly supported could damage the door and void the door warranty.

To install the bracket on sectional garage doors:

- Lower the garage door completely.
- Using a pencil and a level, draw a vertical line in the center of the top portion of the garage door.
- Center the bracket on the line and place it just below the top of the door or at the same approximate height as the top roller.
- Mark the middle holes on the left and right of the bracket.
- Secure the bracket in place by installing self-tapping screws in the center holes on the left and right sides of the bracket. Tighten screws with a 10 mm socket.



INSTALLATION

NOTE: For wooden doors, drill hole completely through the door and install bracket using bolts (not provided) and nuts (not provided), see figure 41.

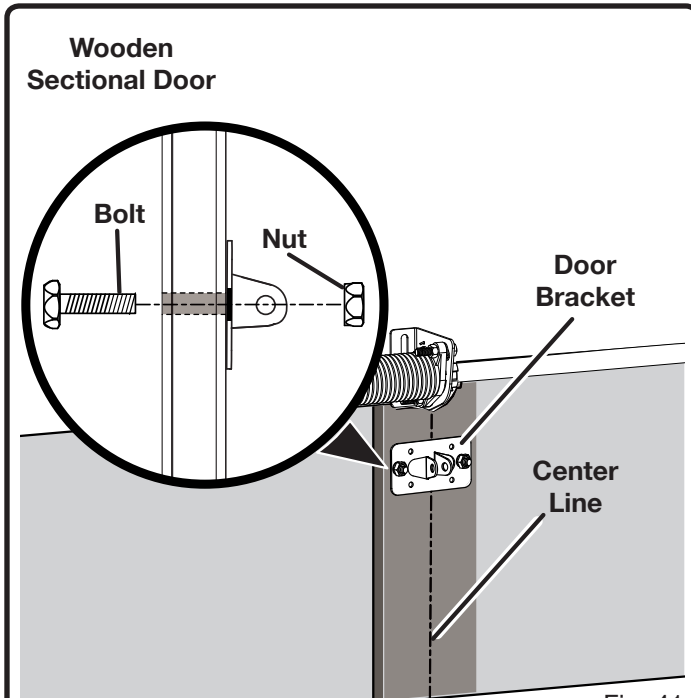


Fig. 41

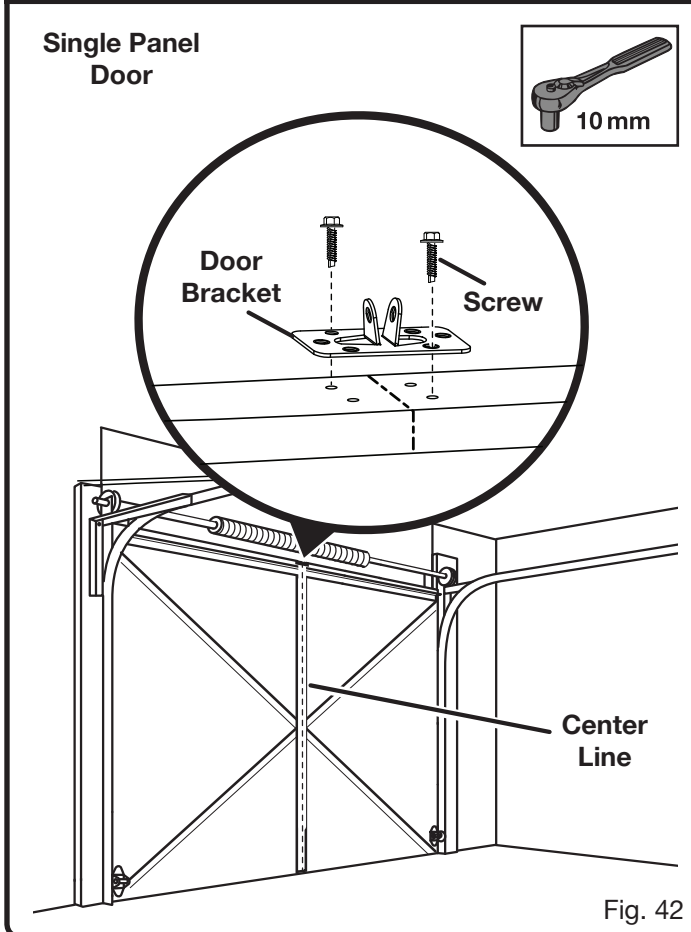


Fig. 42

To install the bracket on single-panel doors:

- Lower the garage door completely.
- Using a pencil and a level, draw a vertical line in the center of the top portion of the garage door.
- Extend the line across the top edge of the door.
- Place the door bracket on the top edge of the door and center it on the line.

NOTE: The bracket can also be placed on the front upper portion of the door if necessary.

- Mark the holes in the bracket.
- Secure the bracket in place using screws. Tighten screws with a 10 mm socket.

NOTE: For wooden doors, drill hole completely through the door and install bracket using bolts (not provided) and nuts (not provided).

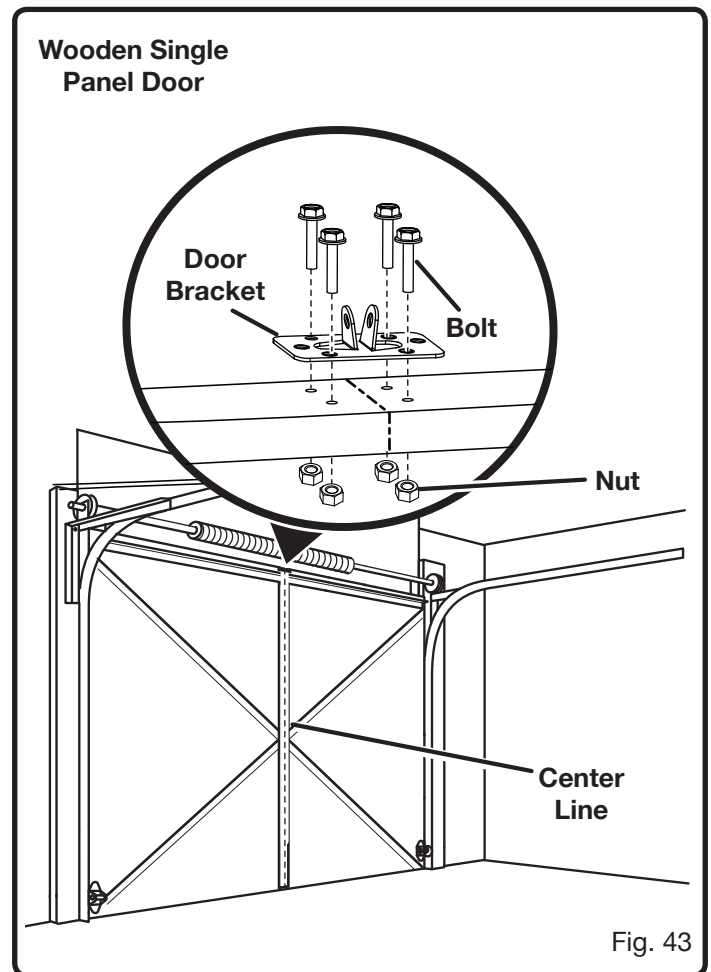


Fig. 43