

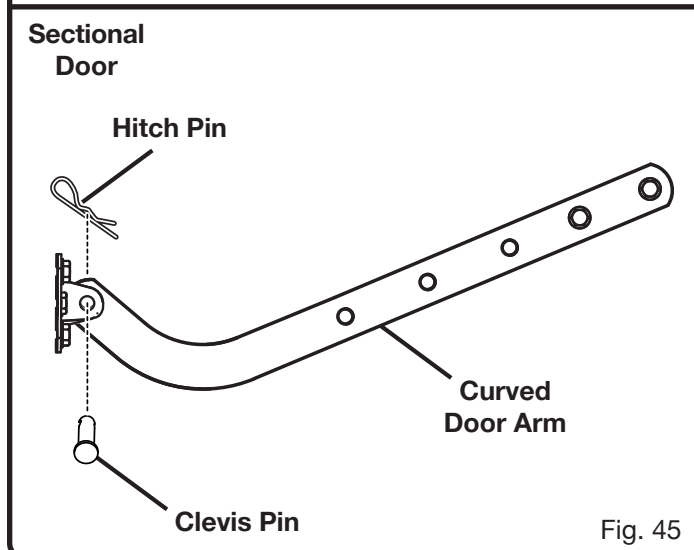
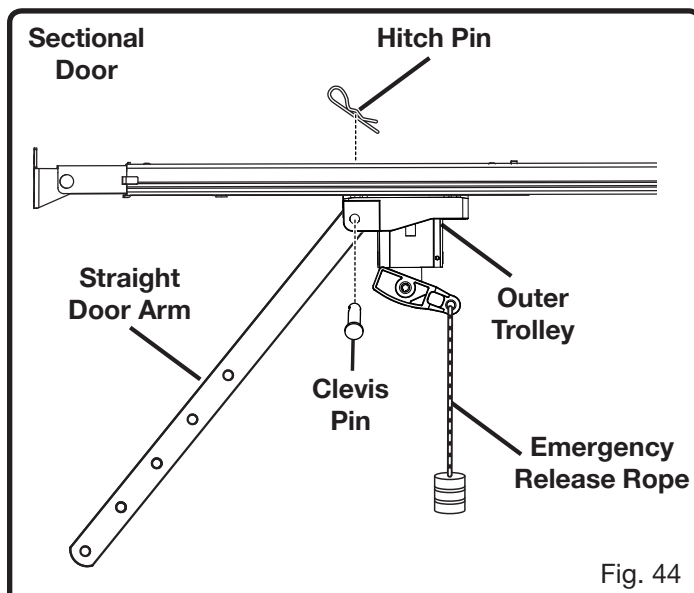
INSTALLATION

CONNECTING DOOR BRACKET TO OUTER TROLLEY

See Figures 44 - 49.

■ Locate the following items:

- Curved Door Arm
- Straight Door Arm
- Medium Clevis Pin
- Small Clevis Pin
- Hitch pins (2)
- Bolts (M8 x 1 in.) [2]
- Lock Nuts (M8) [2]



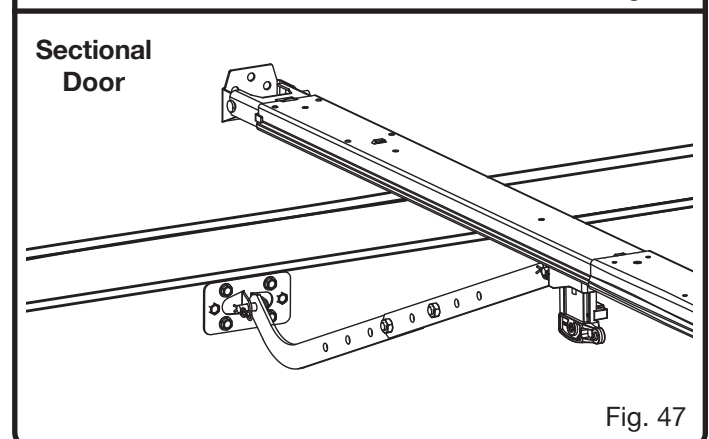
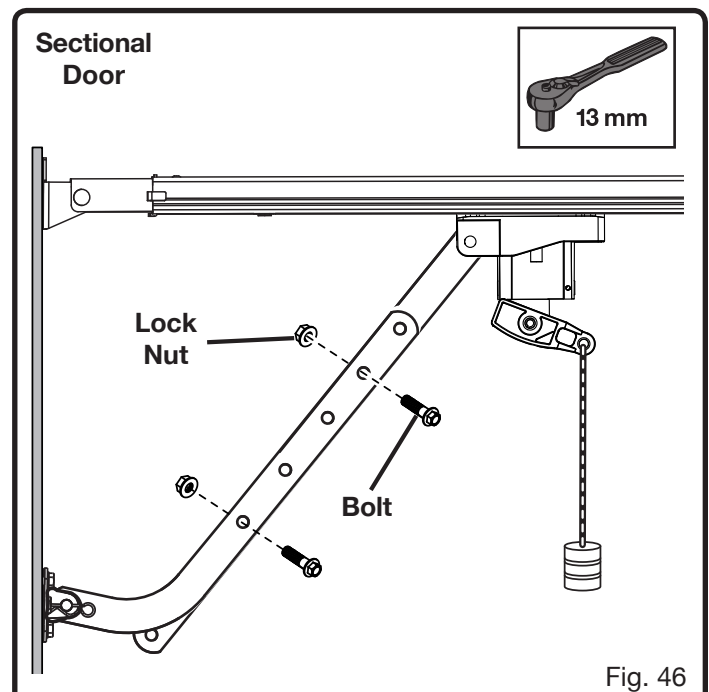
To connect sectional doors:

- Lower the garage door completely.
- Pull the emergency release rope down and slide outer trolley toward the garage door.
- Secure straight door arm to the rear of the outer trolley using medium clevis pin and hitch pin.
- Secure curved door arm to the door bracket using small clevis pin and hitch pin.
- Bring the curved and straight arms together. Choose two sets of aligned holes and install bolts and nuts. Tighten bolts and nuts with a 13 mm socket.

NOTE: For better rigidity, install fasteners in holes that are as far apart as possible.

NOTE: If the holes in the arm do not align, remove the straight door arm and reattach it in the reverse position.

- If the straight door arm hangs too low after assembly, you can shorten the length of the arm by cutting off up to 6 inches.



INSTALLATION

To connect single-panel doors:

- Lower the garage door completely.
- Pull the emergency release rope down and slide outer trolley toward the garage door.
- Place the curved and straight arms together and align the holes.
- Choose two sets of aligned holes and install bolts and nuts. Tighten bolts and nuts with a 13 mm socket.

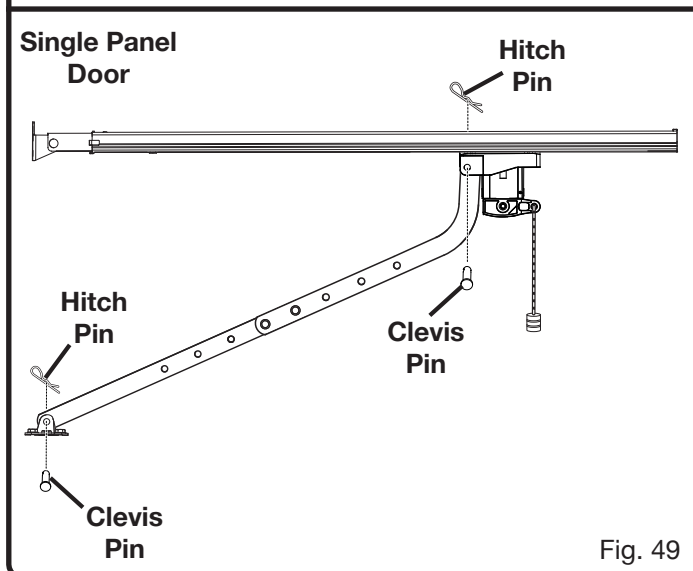
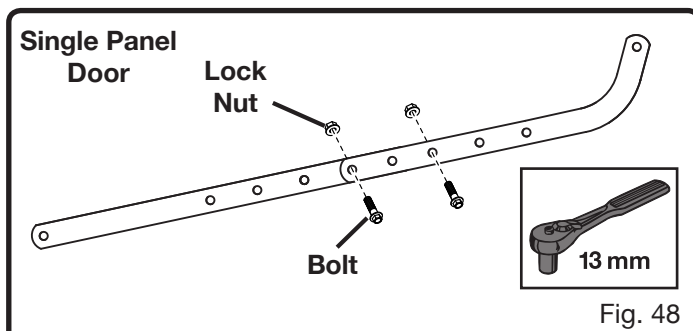
NOTE: For better rigidity, install fasteners in holes that are as far apart as possible.

- Secure straight door arm to the door bracket using small clevis pin and hitch pin.
- Secure curved door arm to the rear of the outer trolley using medium clevis pin and hitch pin.

INSTALLING THE SAFETY SENSORS

See Figures 50 - 55.

- Locate the following items:
 - Safety Sensors (2)
 - Insulated Staples
 - Wing Nut (2)
 - Bracket (2)
 - Nail (2 in.) [2]
 - Lag Screw (M8 x 2 in.) [2]



⚠ WARNING:

DO NOT operate the garage door opener unless the safety sensors are installed and working correctly. Failure to properly install and ensure that the safety sensors are working correctly can result in death or serious personal injury.

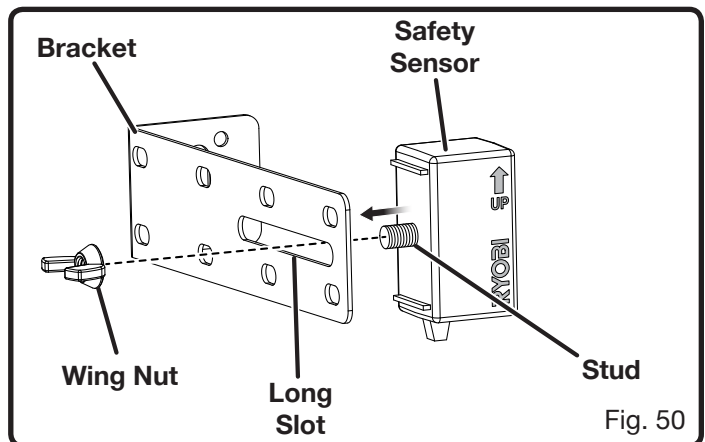
⚠ WARNING:

The bottom of the safety sensor should be no higher than six inches above the garage floor. This will ensure that the door reverses should a child, pet, or small object move beneath the door as it lowers. Improper placement of the safety sensors can result in death or serious personal injury.

⚠ WARNING:

The effectiveness of the safety sensors included in this system directly relates to the placement and installation of the sensors. Incorrect placement or installation could prevent the sensors from working as intended and result in death or serious personal injury.

- Assemble the safety sensors by inserting the sensor stud through the long slot in the bracket and securing with a wing nut.
- Lower the garage door completely.
- Position both sensors on either side of the interior of the garage door about four to six inches above the garage floor and point the lenses toward each other. The arrow should be facing up.



INSTALLATION

NOTE: The top of the sensor should be between four and six inches above the floor.

NOTE: The receiving sensor has a green LED. Ensure that the lens on this sensor is not exposed to direct sunlight.

- Mark the position of the hole in the bracket.
- Secure brackets in place using nails or drill 3/16 in. pilot holes and secure with lag screws. Tighten screws with an 11 mm socket.

NOTE: Use lag screws and concrete anchors (not included) when installing the brackets into concrete, brick, or other masonry.

⚠ WARNING:

To avoid the risk of death, electric shock, or serious personal injury ensure that the garage door opener is unplugged and the battery pack is removed before wiring the sensors.

⚠ WARNING:

Connect the sensors using low voltage wires only to prevent the risk of electric shock or serious personal injury.

- Route the wires from the sensors to the door sensor wire terminals. Attach the wires to the wall and ceiling using the insulated staples. Secure the staples to the wall and ceiling using a hammer.
- Using wire strippers, strip 1/2 in. of insulation from the ends of each wire.
- To install or remove wires from a wire terminal, depress the tab beside the terminal.
- Twist the gray striped wires from both sensors together and insert them into the right door sensor terminal marked with G.

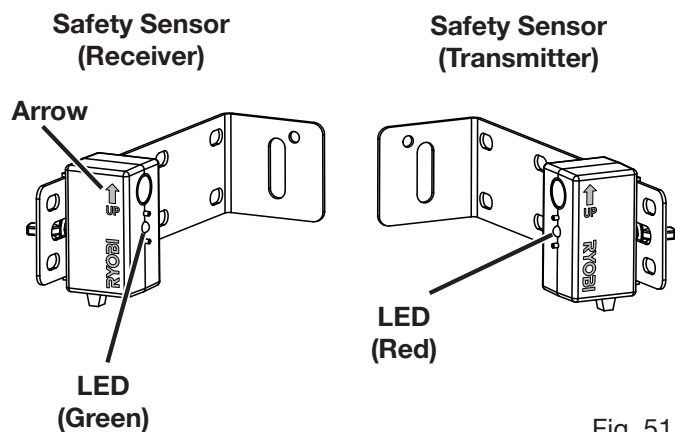


Fig. 51

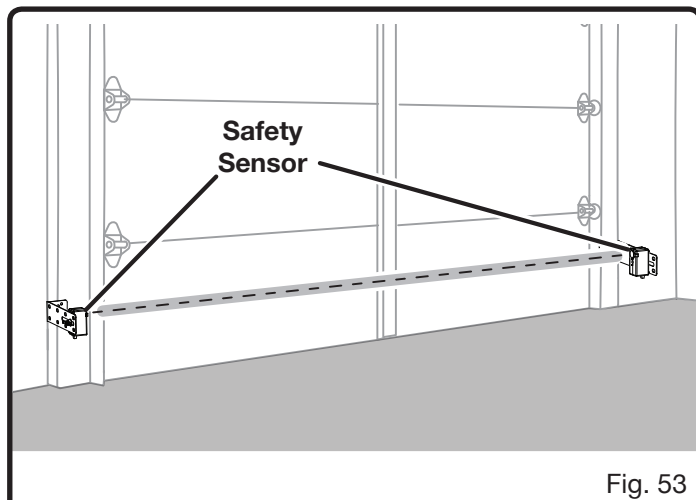


Fig. 53

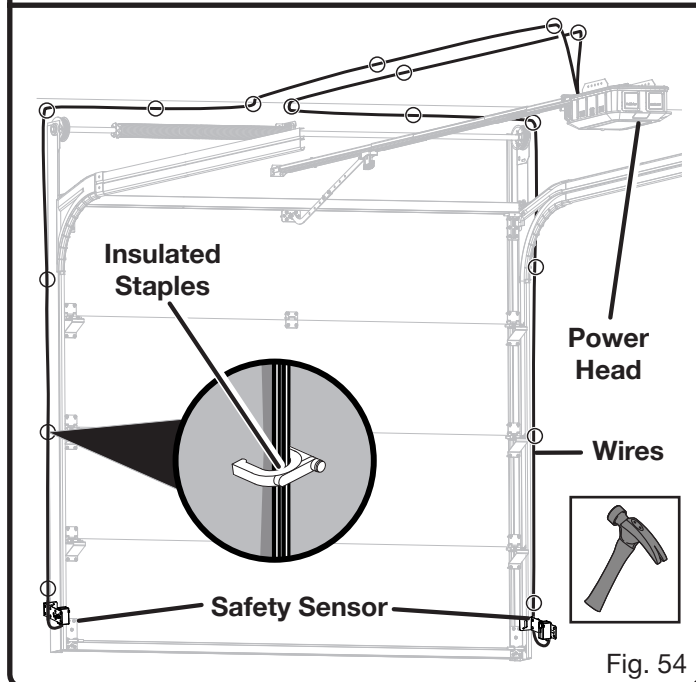


Fig. 54

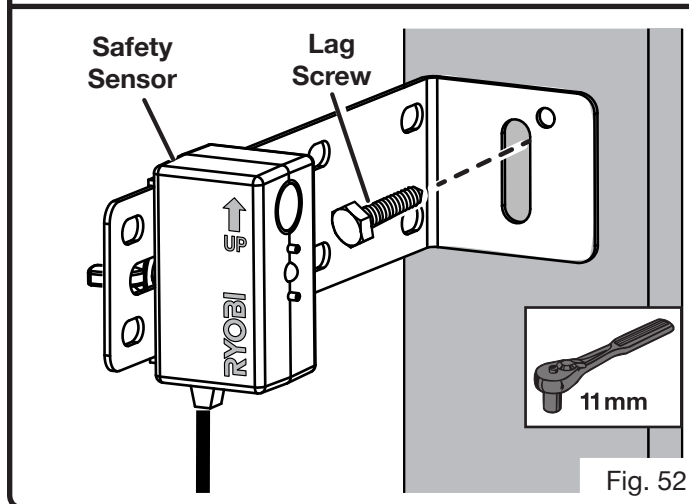
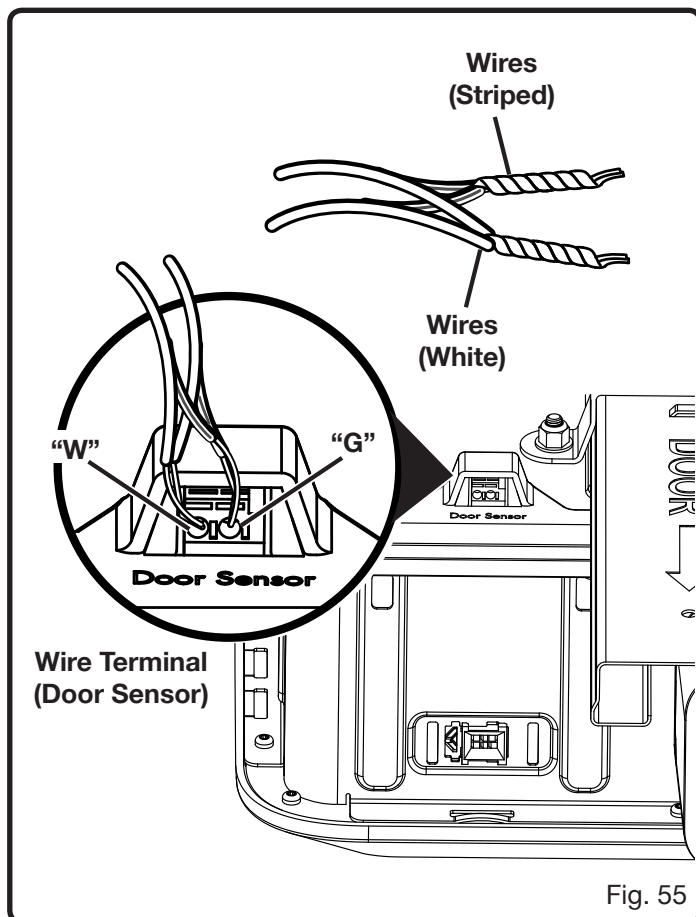


Fig. 52

INSTALLATION

- Twist the white wires from both sensors together and insert them into the left terminal marked with W.
- For alignment instructions, see **Aligning The Safety Sensors** in the *Operations* section.



⚠ WARNING:

Make sure the keypad is mounted high enough to prevent unauthorized activation of the garage door opener. It should be placed at least five feet above the floor so that it is inaccessible to children. Unauthorized activation of the opener can result in death or serious personal injury.

⚠ WARNING:

Do not start or stop the garage door opener if there is a person or object in the path of the door, the door has not been properly balanced, or if you cannot see the doorway. Failure to follow these instructions can result in death or serious personal injury.

⚠ WARNING:

To avoid the risk of death, electric shock, or serious personal injury ensure that the garage door opener is unplugged and the battery pack is removed before wiring the keypad.

⚠ WARNING:

Connect the keypad using low voltage wires only to prevent the risk of electric shock or serious personal injury.

INSTALLING THE INDOOR KEYPAD

See Figures 56 - 60.

- Locate the following items:

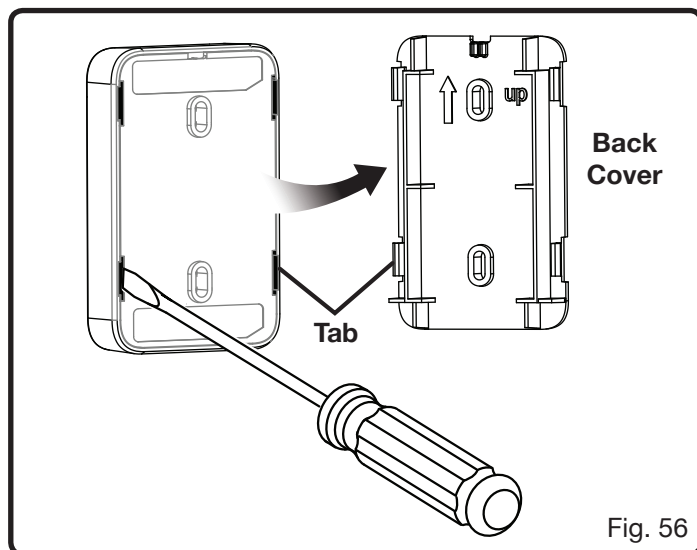
- Indoor Keypad
- Low Voltage Wire
- Insulated Staples
- Entrapment Label
- Screws (1 in., Phillips Hd.) [2]
- Drywall Anchors (2)

⚠ WARNING:

Do not use garage door opener if keypads or remotes do not start and stop the motor. An opener that cannot be controlled with a keypad or remote is dangerous, can result in death or serious personal injury, and must be repaired.

- Find desired location indoors and in sight of the garage door.

NOTE: The keypad should be at least five feet above the floor so it is inaccessible to children.



INSTALLATION

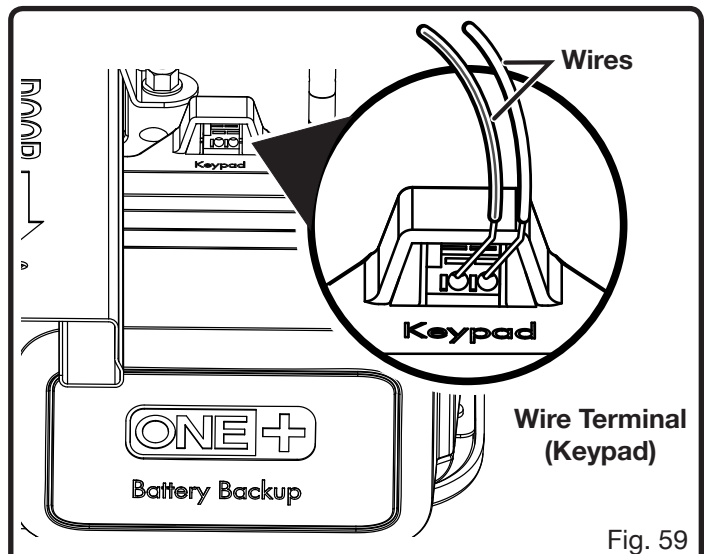
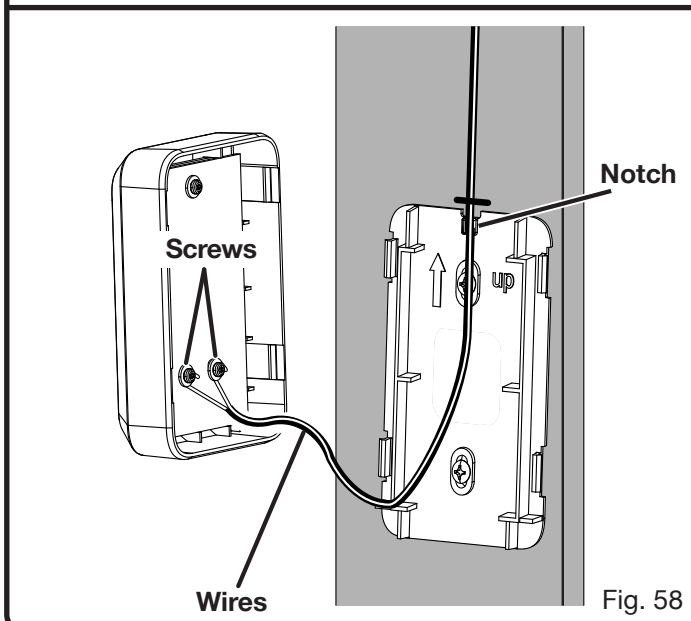
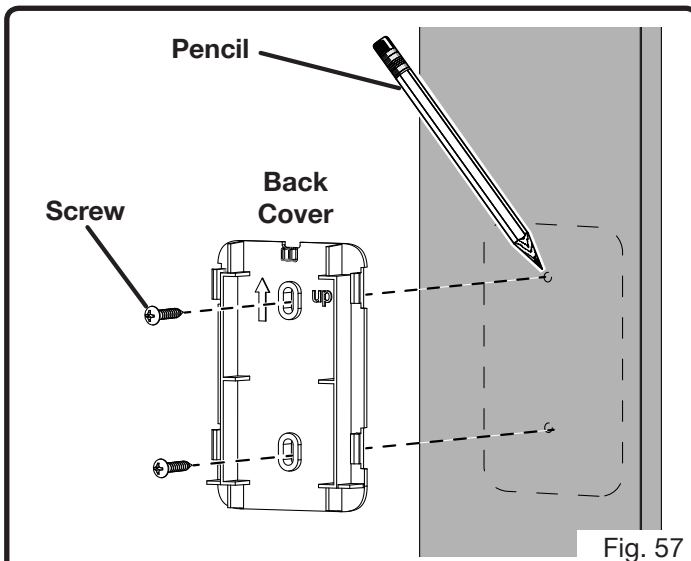
- Insert a flat head screwdriver into the tabs on the indoor keypad and remove the back cover.
- Hold the back cover against the wall. Use a pencil and a level to mark screw hole placement.
- Mount the back cover to the wall using screws. Install screws using Phillips screwdriver.
NOTE: Use screws and drywall anchors when installing the keypad into drywall.
- Fit the wires included with the indoor keypad into the notch on the back cover.
- Connect the keypad to the back cover. Be careful not to damage the wires.
- Route the wires from the keypad to the keypad wire terminals. Attach the wires to the wall and ceiling using the insulated staples.
- Insert the red striped wire from the keypad into the left keypad terminal marked with R.

- Insert the white wire into the right terminal marked with W.

⚠ WARNING:

Entrapment warning label contains important safety information. Install entrapment warning label next to the indoor keypad in a prominent location. Use insulated staples or other mechanical means if the label will not adhere to the wall.

- For details about using the indoor keypad, see **Using the Indoor Keypad** in the *Operations* section.



INSTALLATION

INSTALLING THE OUTDOOR KEYPAD

See Figures 61 - 63.

- Locate the following items:
 - Outdoor Keypad
 - Screws (1 in., Phillips Hd.) [2]
 - Drywall Anchors (2)

⚠ WARNING:

Do not use garage door opener if keypads or remotes do not start and stop the motor. An opener that cannot be controlled with a keypad or remote is dangerous, can result in death or serious personal injury, and must be repaired.

⚠ WARNING:

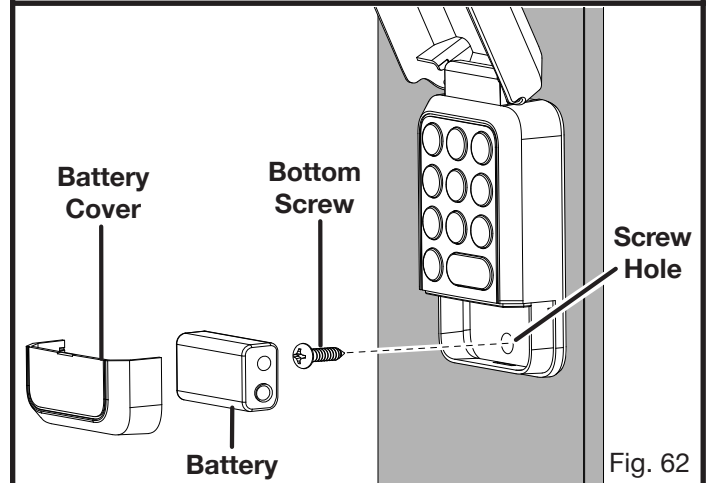
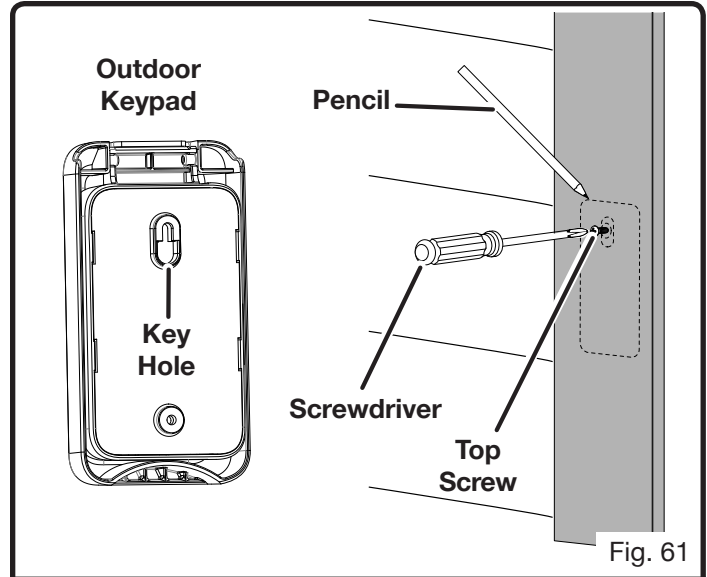
Make sure the keypad is mounted high enough to prevent unauthorized activation of the garage door opener. It should be placed at least five feet above the floor so that it is inaccessible to children. Unauthorized activation of the opener can result in death or serious personal injury.

⚠ WARNING:

Do not start or stop the garage door opener if there is a person or object in the path of the door, the door has not been properly balanced, or if you cannot see the doorway. Failure to follow these instructions can result in death or serious personal injury.

NOTE: For convenience, we recommend you program the outdoor keypad before installing. See **Programming the Outdoor Keypad** in the *Operations* section.

- Find desired location outdoors and in sight of the garage door.
 - NOTE:** The keypad should be at least five feet above the floor so it is inaccessible to children.
- Use a pencil to mark screw hole placement and install top screw.
 - NOTE:** Use screws and drywall anchors when installing the keypad into drywall.
- Place the wide portion of the key hole over the head of the top screw.
- Slide the keypad down until the top screw is inside the narrow portion of the key hole.
- Remove the battery cover and 9-volt battery.
- Use a level to be sure the keypad is in a vertical position, then install bottom screw into the screw hole.



- Install 9-volt battery.
- Replace battery cover.
- For programming instructions, see **Programming the Outdoor Keypad** in the *Operations* section.

OPERATION

IMPORTANT SAFETY INSTRUCTIONS

⚠ WARNING: TO REDUCE THE RISK OF SEVERE INJURY OR DEATH:

1. READ AND FOLLOW ALL INSTRUCTIONS.
2. Never let children operate, or play with door controls. Keep the remote control away from children.
3. Always keep the moving door in sight and away from people and objects until it is completely closed. **NO ONE SHOULD CROSS THE PATH OF THE MOVING DOOR.**
4. **NEVER GO UNDER A STOPPED PARTIALLY OPEN DOOR.**
5. Test door opener monthly. The garage door **MUST** reverse on contact with a 1-1/2 inch object (or a 2 by 4 board laid flat) on the floor. After adjusting either the force or the limit of travel, retest the door opener. Failure to adjust the opener properly may cause severe injury or death.
6. For products requiring an emergency release, if possible, use the emergency release only when the door is closed. Use caution when using this release with the door open. Weak or broken springs may allow the door to fall rapidly, causing injury or death.
7. **KEEP GARAGE DOOR PROPERLY BALANCED.** See owner's manual. An improperly balanced door could cause severe injury or death. Have a qualified service person make repairs to cables, spring assemblies and other hardware.
8. This operator system is equipped with an unattended operation feature. The door could move unexpectedly. **NO ONE SHOULD CROSS THE PATH OF THE MOVING DOOR.**

9. **SAVE THESE INSTRUCTIONS.**

⚠ WARNING:

Do not allow familiarity with products to make you careless. Remember that a careless fraction of a second is sufficient to cause death or serious injury.

⚠ WARNING:

Do not use any attachments or accessories not recommended by the manufacturer of this product. The use of attachments or accessories not recommended can result in serious death or personal injury.

⚠ WARNING:

Risk of entrapment. Only use RYOBI ONE+™ 18V lithium-ion (Li-ion) battery packs in this product. This product has a battery backup feature that can operate the garage door opener in the event of a power loss and must only be used with lithium-ion battery packs. The use of any other type of battery can cause the backup system to not operate properly, which can result in death or serious personal injury.

NOTICE:

Before each use, inspect the entire product for damaged, missing, or loose parts such as screws, nuts, bolts, caps, etc. Tighten securely all fasteners and caps and do not operate this product until all missing or damaged parts are replaced. Please contact customer service or an authorized service center for assistance.

For complete charging instructions, refer to the battery charging section later in this manual and the Operator's Manuals for your RYOBI ONE+™ battery pack.

NOTICE:

This product is designed to be powered by either a RYOBI ONE+™ 18V lithium-ion (Li-ion) battery pack (DC mode) or by electric power (AC mode). The unit will operate in AC mode whenever it is connected to an electric power source. It will switch to DC mode when an approved battery pack is installed and the unit is not connected to an AC power source.

OPERATION

CONNECTING THE GARAGE DOOR OPENER TO A POWER SUPPLY

See Figures 64 and 65.

For AC power:

- Assemble and mount the garage door opener as described earlier in the *Installation* section.
- Connect the garage door opener to an AC power supply.
NOTE: Make sure the power supply is normal household voltage, 120 volts, AC only, 60 Hz.
- Ensure that the power cord does not droop excessively or contact moving parts.

For DC power:

- Unplug the garage door opener.
- Open the battery door.
- Insert the battery pack into the product as shown.
- Make sure the latches on each side of the battery pack snap into place and the battery pack is secured before beginning operation.

⚠ WARNING:

Make sure the latches on the battery pack snap in place and the battery pack is fully seated and secure in the battery port before beginning operation. Failure to securely seat the battery pack could cause the battery pack to fall out, resulting in serious personal injury or property damage.

- Close the battery door.
- **To remove the battery pack**, open the battery door and depress the latches on both sides of the battery pack.

When a battery pack is installed and the power cord is plugged in, the garage door opener will begin charging the battery pack.

CHARGING A BATTERY PACK

See Figure 65.

Battery packs are shipped in a low charge condition to prevent possible problems. Therefore, you should charge them before first use. If the garage door opener does not charge the battery pack under normal circumstances, return both the battery pack and garage door opener to your nearest repair center for electrical check.

- Connect the garage door opener to an AC power supply.
- Install battery pack into the garage door opener as described earlier.
- Press on the battery pack to be sure contacts on the battery pack engage properly with contacts in the garage door opener.
- The battery pack may become slightly warm to the touch while charging. This is normal and does not indicate a problem.
- When the battery pack is fully charged, you may remove the battery pack or leave it in the battery port to provide DC power if needed.

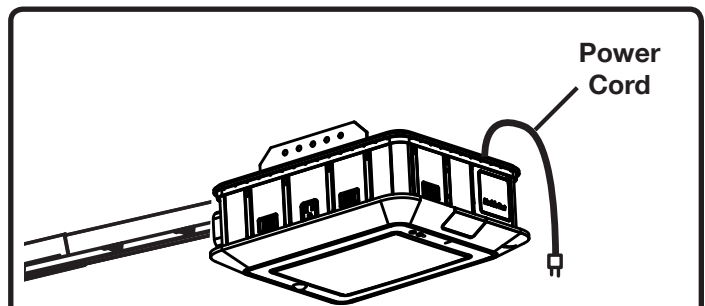


Fig. 64

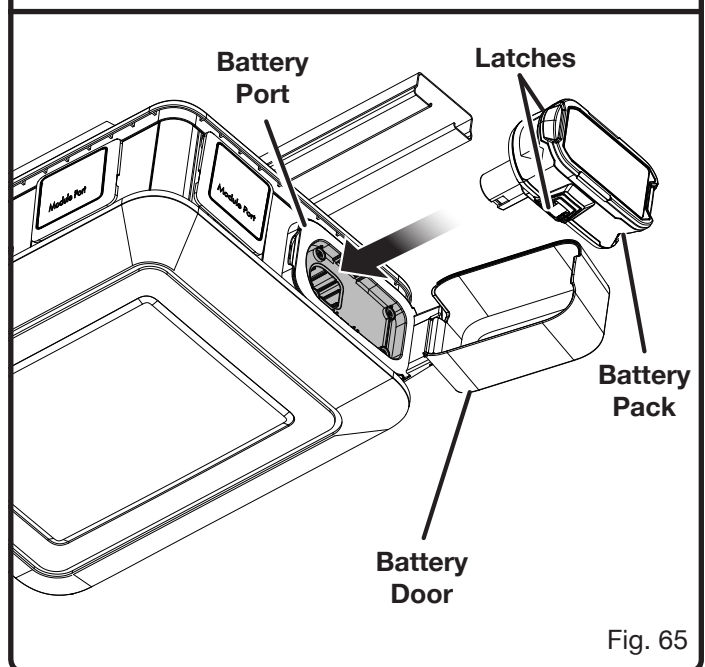


Fig. 65

OPERATION

INSTALLING MODULES

See Figures 66 and 67.

The garage door opener can power a variety of AC and DC modules. For a complete list of modules, visit www.ryobitools.com.

⚠ WARNING:

Use only recommended accessories listed on our website, in this manual, or in addendums. Use of accessories that are not listed may cause the risk of personal injury. Instructions for safe use of accessories are included with the accessory.

⚠ WARNING:

Ensure modules are properly and securely connected to their port on the garage door opener. Failure to properly secure the module can cause it to fall and could result in serious personal injury or property damage.

For DC modules:

- Select one of the DC module ports to power your DC module.
- Hook the module to the top of the garage door opener and insert it into the module port. Ensure the bottom latch on the module is secured to the port on the garage door opener.

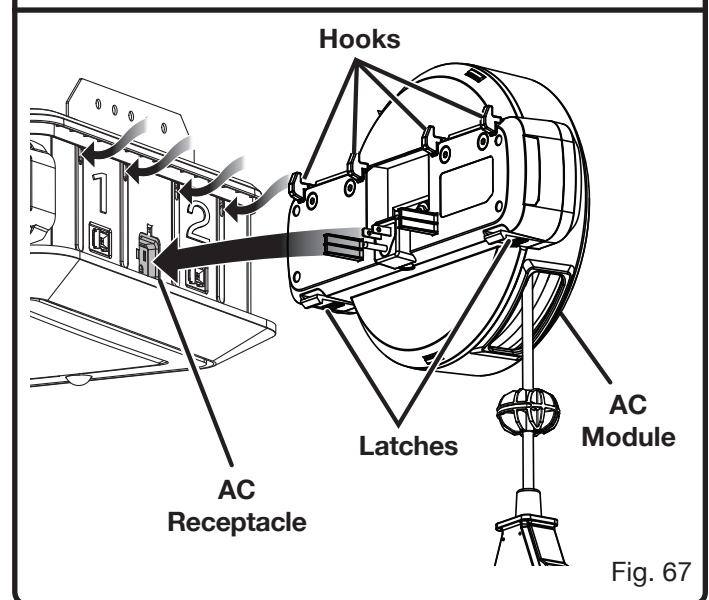
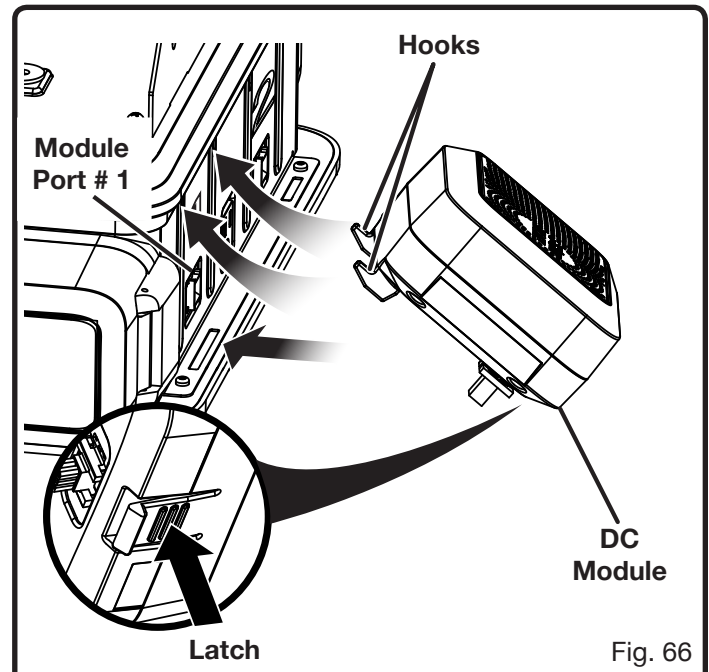
NOTE: DC modules will not receive power unless the module port has been activated. See **Using the Indoor Keypad** later in this section.

- Depress latches to release and remove the module.

For AC modules:

- Remove both module port covers on the side where you will install the module.
- Insert AC module into the AC receptacle as shown.
- Secure the module in place by hooking it to the top of the garage door opener and ensure the bottom latch on the module is secured to the port on the garage door opener.
- Depress latches to release and remove the module.

NOTE: If the garage door opener is unplugged and a charged battery pack is installed, the AC receptacles and DC module ports will be disabled but the sensors and LED lights will continue to function normally.



OPERATION

ALIGNING THE SAFETY SENSORS

See Figure 68.

⚠ WARNING:

DO NOT operate the garage door opener unless the safety sensors are installed and working correctly. Failure to properly install and ensure that the safety sensors are working correctly can result in death or serious personal injury.

⚠ WARNING:

The effectiveness of the safety sensors included in this system directly relates to the placement and installation of the sensors. Incorrect placement or installation could prevent the sensors from working as intended and result in death or serious personal injury.

NOTICE:

The garage door will not close unless the safety sensors are installed, wired, and aligned correctly.

- Install and wire the safety sensors as described earlier in the *Installation* section.
- Connect the garage door opener to an AC power supply.
NOTE: Make sure the power supply is normal household voltage, 120 volts, AC only, 60 Hz
- If wired correctly, the LED lights on both sensors should shine continuously. If one or both LEDs do not come on, unplug the garage door opener and ensure that the sensors are wired correctly. If problem persists, refer to the **Safety Sensor Diagnostic Feedback** chart later in the manual.
- If the LED lights on both sensors shine continuously, then the sensors are aligned and no adjustments are needed.
- If the red LED light is ON but the green LED light is off, then the sensors may need to be aligned.
- **To align the safety sensors:** loosen, but do not remove, the fasteners securing the sensors in place and adjust the position of the sensors until the lens on the transmitter and receiver are directly facing one another.
- After the sensors have been aligned, retighten fasteners.
- When the sensor lenses are in the correct position, the invisible light beam emitted by the transmitter will be captured by the receiver and the LEDs will shine continuously.
NOTE: If an object crosses the path of the beam, an open garage door will not close and a closing garage door should stop and reverse to the fully open position.

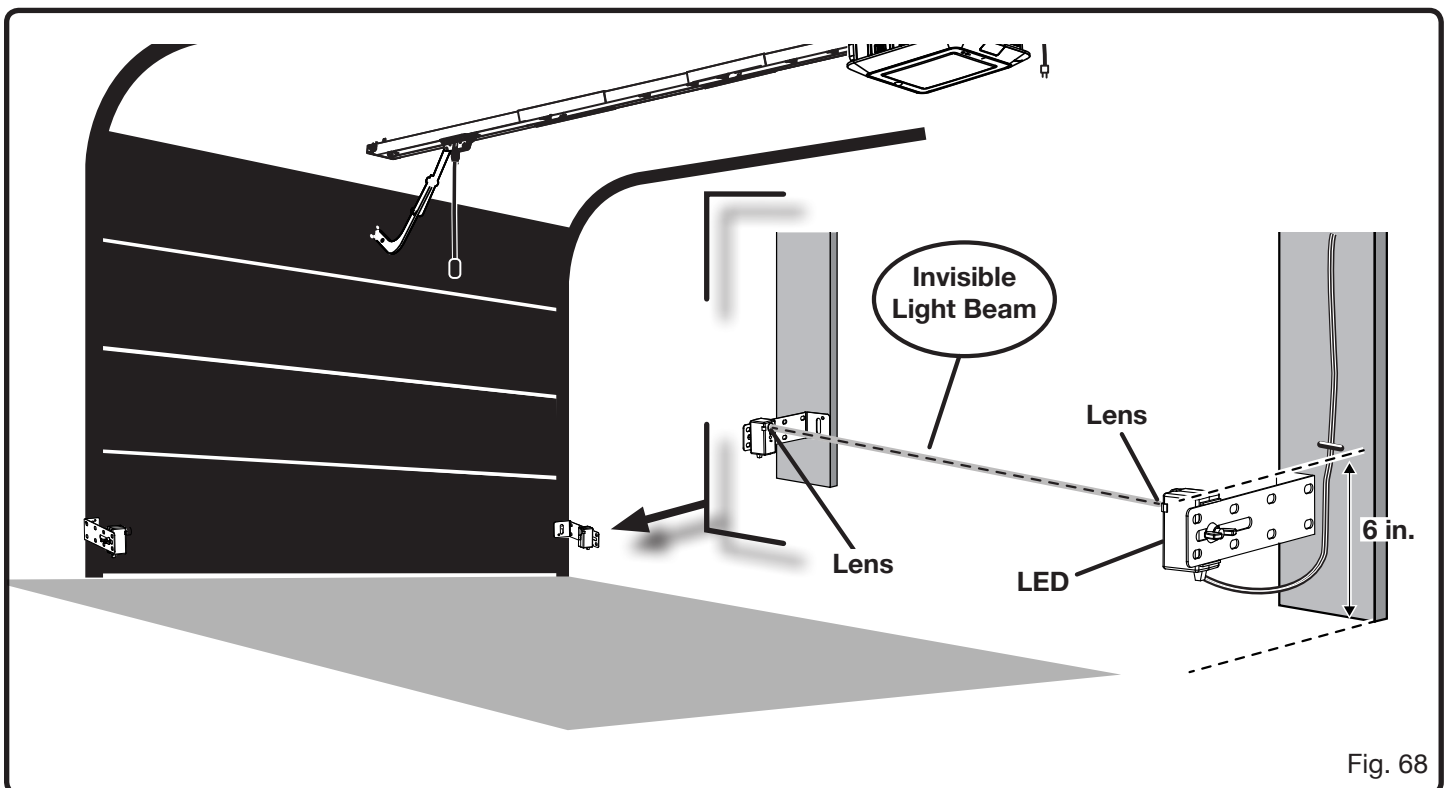


Fig. 68

OPERATION

SAFETY SENSOR DIAGNOSTIC FEEDBACK

LED FUNCTIONS			
RED LED (TRANSMITTER)	GREEN LED (RECEIVER)	PROBLEM	SOLUTION
ON	ON	No problem indicated	No action required
OFF	OFF	Power head is unplugged or the battery is depleted Wires from power head may be damaged Wires not connected Wires connected to the wrong terminal One or both sensors are defective	Connect to power supply or charge the battery pack Replace damaged or broken wires Connect wires to power head Connect wires to the correct terminal Contact customer service or an authorized service center for assistance
OFF	ON	One or both sensors are defective	Contact customer service or an authorized service center for assistance
ON	OFF	The safety sensors are out of alignment The safety sensors are obstructed One or both sensors are defective Safety sensor (receiver) is in direct sunlight Safety sensor (transmitter) is not sending beam	Align the safety sensors Remove all objects between the safety sensors Contact customer service or an authorized service center for assistance Change the position of the sensor Contact customer service or an authorized service center for assistance

OPERATION

SETTING THE DOOR TRAVEL LIMITS

See Figures 69 - 76.

⚠ DANGER:

Ensure that the safety sensors are installed and working properly. Without the proper safety devices in place, a closing garage door could kill or seriously injure someone in its path.

The console on your garage door opener makes it easy to set the open and close positions of your door. The opener will automatically sense the weight of your door and provide the force required to open and close it.

When a garage door is fully closed, there shouldn't be any space between the door and the garage floor. When a door is fully open, it should provide enough clearance for vehicles to travel safely underneath it. Use caution when setting the open position for single-panel garage doors. If a single-panel door is opened so far that it begins to slant backwards, excessive bouncing and jerking may occur as the door moves, see figure 73.

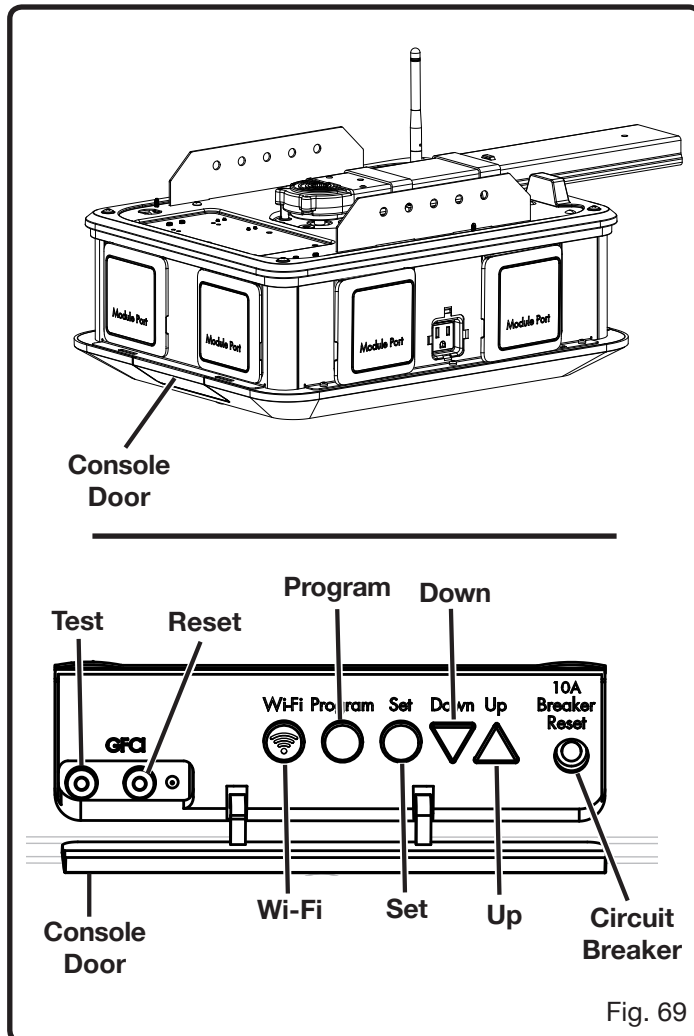
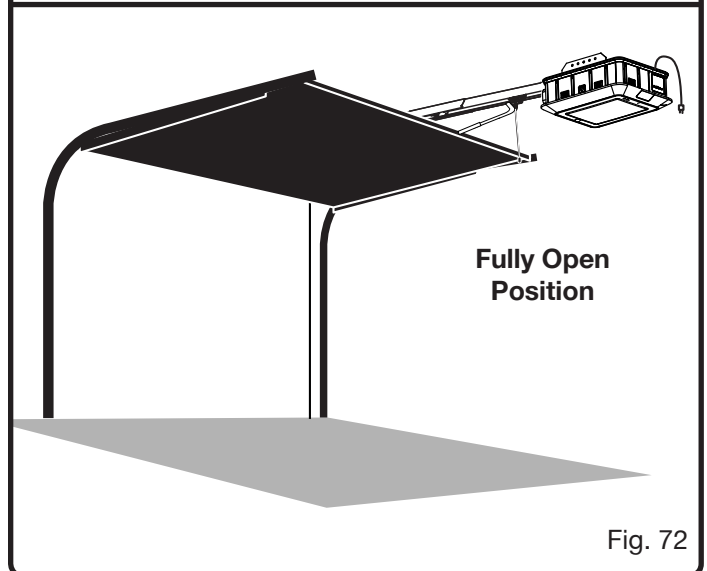
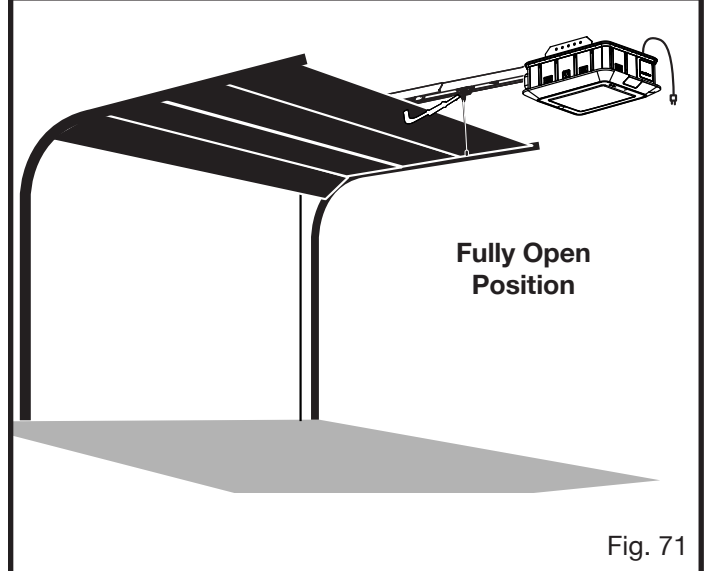
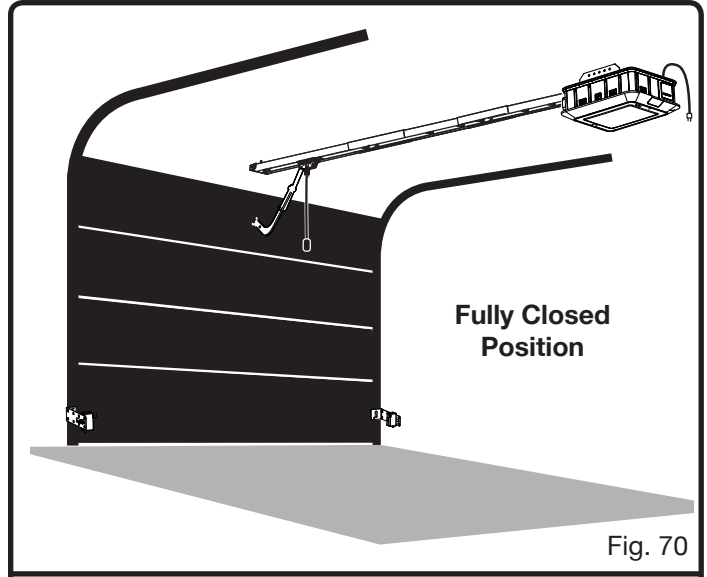


Fig. 69



OPERATION

NOTICE:

Do not open or close the garage door using the indoor keypad or remotes until the travel limits have been properly set. Doing so could cause severe damage to the garage door or the garage door opener.

Before setting the travel limit:

- Pull the emergency release rope down and manually open the garage door until the outer trolley engages the inner trolley.

Once you begin setting the travel limits, you have two minutes to complete each step. If a step is not completed within two minutes, travel limit information for the open and closed position will be erased.

To set the travel limit for the open position:

- Open the console door.
- Press and hold the **UP** button for three seconds. After you release the button, it will begin blinking and continue blinking until the travel limit has been set.
- Press and hold the **UP** button to move the garage door to the open position.
- For fine adjustments, press and release the **UP** or **DOWN** buttons.
- Once the door is in the open position, press the **SET** button to store the travel limit. Once the travel limit is stored, the **UP** button will stop blinking and shine continuously.

NOTE: If the safety sensors are obstructed during this process, travel limit information for the open and closed position will be erased.

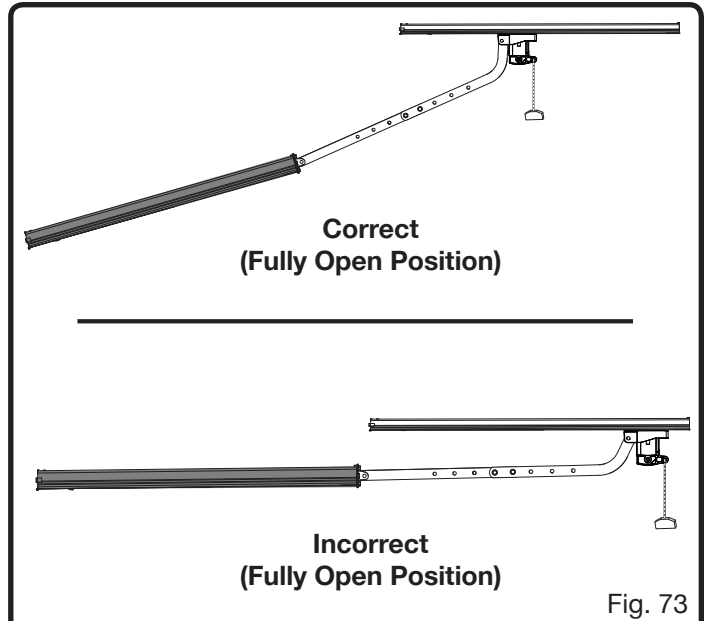


Fig. 73

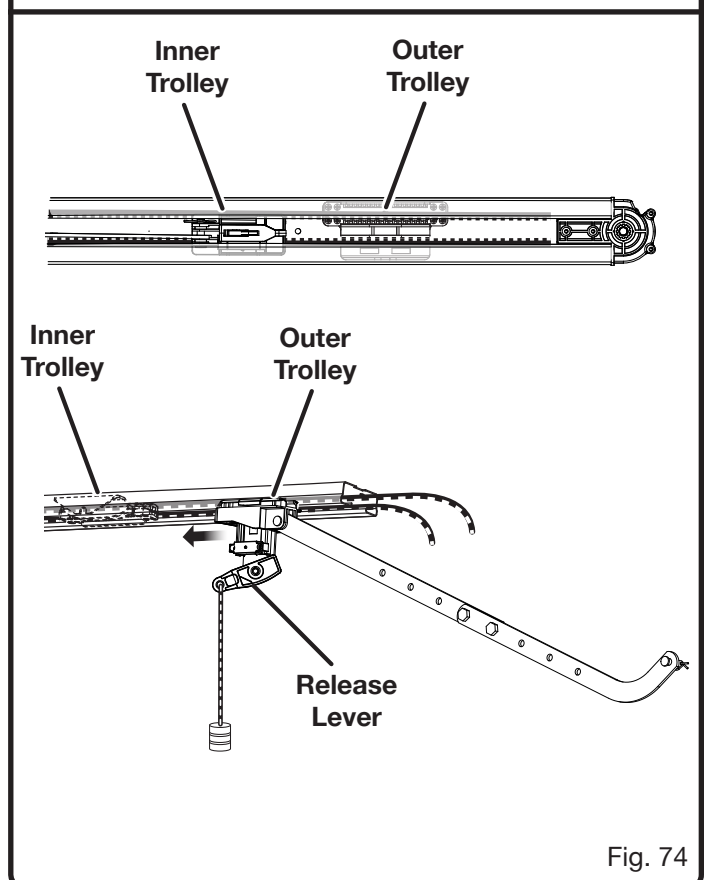


Fig. 74

OPERATION

To set the travel limit for the closed position:

- Press and hold the **DOWN** button for three seconds. After you release the button, it will begin blinking and continue blinking until the travel limit has been set.
- Press and hold the **DOWN** button to move the garage door to the closed position.
- For fine adjustments, press and release the **UP** or **DOWN** buttons.
- Once the door is in the closed position, press the **SET** button to program the travel limit. Once the travel limit is set, the **DOWN** button will stop blinking and shine continuously.

NOTE: If the safety sensors are obstructed during this process, travel limit information for the open and closed position will be erased.

To test the travel limits:

NOTE: The garage door opener will not respond to the remotes or keypads until the travel limits have been tested.

- Press and release the **UP** button and ensure that the door moves to the programmed open position. The button will blink as the door moves then shine continuously once the door is in the open position.
- Press and release the **DOWN** button to ensure that the door moves to the programmed down position. The button will blink as the door moves then shine continuously once the door is in the down position.

NOTE: After testing is complete, the light for both the **UP** and **DOWN** buttons will turn off.

- If the travel limits were set incorrectly, they can be cleared by pressing and holding the **SET** button for five seconds. The **UP** and **DOWN** buttons will blink two times indicating that the unit is ready to be reprogrammed.

If a buzzer sounds while you are setting or testing the travel limits, the garage door opener has detected a problem. Travel limit information for the open and closed position will be erased and cannot be reset until the problem is resolved. For details, refer to the *Troubleshooting* section later in the manual.

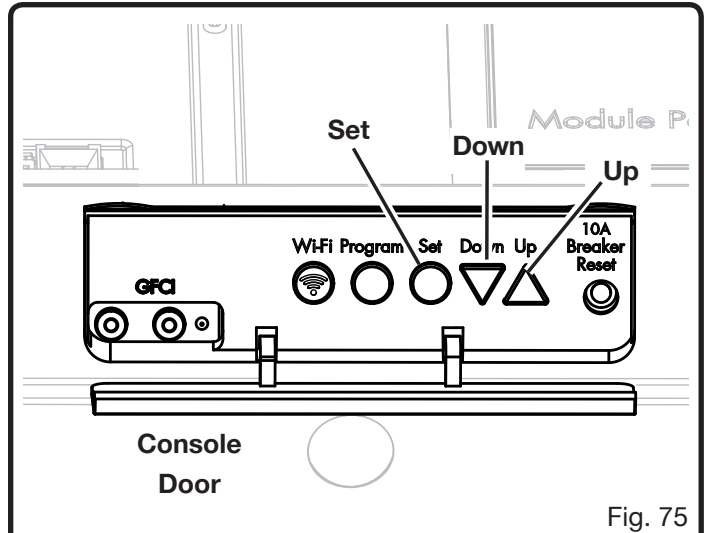


Fig. 75

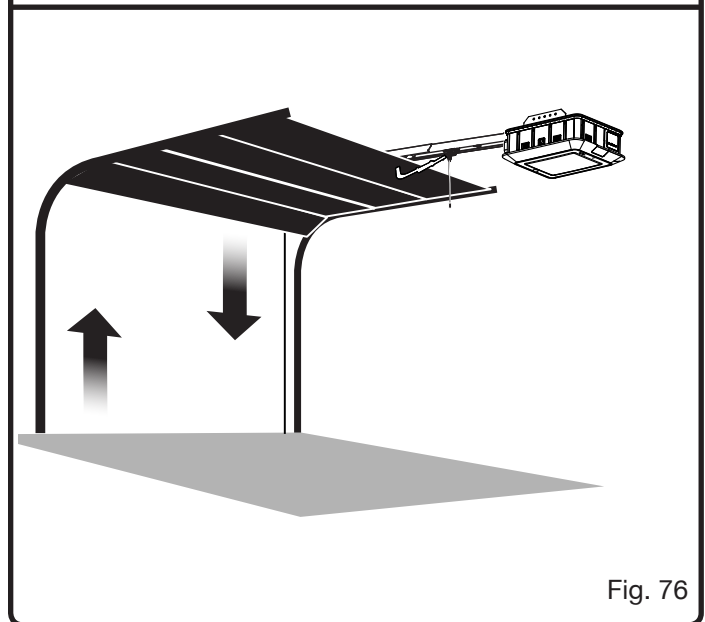


Fig. 76

OPERATION

USING THE INDOOR KEYPAD

See Figure 77.

⚠ WARNING:

Keep moving door in sight when using indoor keypad. Contact with moving door can cause DEATH or serious injury.

The indoor keypad has backlights that turn on when garage door opener is connected to a power supply. When the keypad is locked, the backlights will blink.

- Install and wire the indoor keypad as described earlier in the *Installation* section.
- To raise or lower the garage door, press and release the **UP/DOWN** button.
- To enter and exit vacation mode, press and release the **LOCK** (🔒) button. When the unit is in vacation mode, it

can only be controlled using the indoor keypad and smart phone. The unit will not respond to car remotes or the outdoor keypad.

NOTE: The LEDs in the indoor keypad will blink when the unit is in vacation mode.

- To turn the LED lights on and off, press and release the **LIGHT** (💡) button.

NOTE: When the **LIGHT** (💡) button is pressed, the LED light will illuminate for three minutes.

Activating and Deactivating DC Module Ports:

- To activate a DC module port, press the number on the indoor keypad corresponding with the desired port. For example, to activate module port #2 press **NUMBER 2** on your keypad.

NOTE: An active module port can be used to power DC modules. Multiple ports can be activated at once.

- To deactivate a DC module port, press the number on the indoor keypad corresponding with the port.

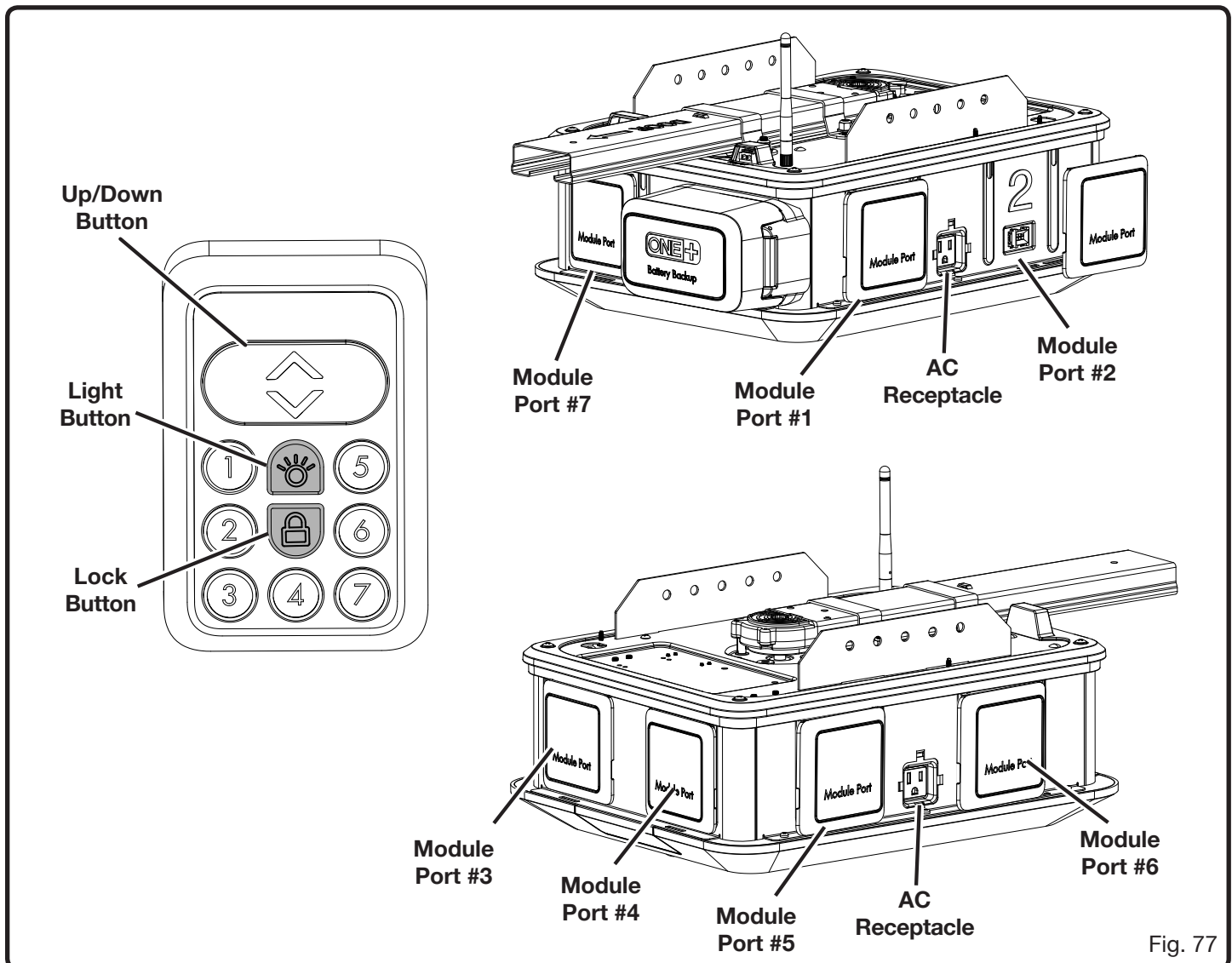


Fig. 77

OPERATION

TESTING THE AUTOMATIC REVERSAL SYSTEM

See Figure 78.

⚠ DANGER:

Test the automatic reversal system every month and after any adjustments are made to the garage door travel limits. If the door contacts an object higher than 1-1/2 in. off the garage floor (approx. the size of a 2x4 laid flat), it should stop and reverse to the fully open position. If the automatic reversal system does not function properly, a closing garage door could kill or seriously injure someone in its path.

⚠ WARNING:

DO NOT operate the garage door opener unless the automatic reversal system is working correctly. Following this rule will reduce the risk of death or serious personal injury.

- Press and release the **UP/DOWN** button on the indoor keypad to raise the garage door.
- Place a 1-1/2 in. board (approx. the size of a 2x4 laid flat) on the garage floor beneath the door.
- Press and release the **UP/DOWN** button on the indoor keypad to lower the garage door. When the door strikes the board, it should reverse direction immediately.
NOTE: After the door contacts the board, a buzzer will sound five times and the garage door opener's LED lights blink five times.
- If the garage door reverses direction after contacting the board, the reversal system is working properly and no adjustments are needed.
- If the garage door stops before striking the board or strikes the board and then stops, increase the travel limit for the closed position and repeat the test.
- If the automatic reversal system continues to fail, contact customer service or a qualified service person for assistance.

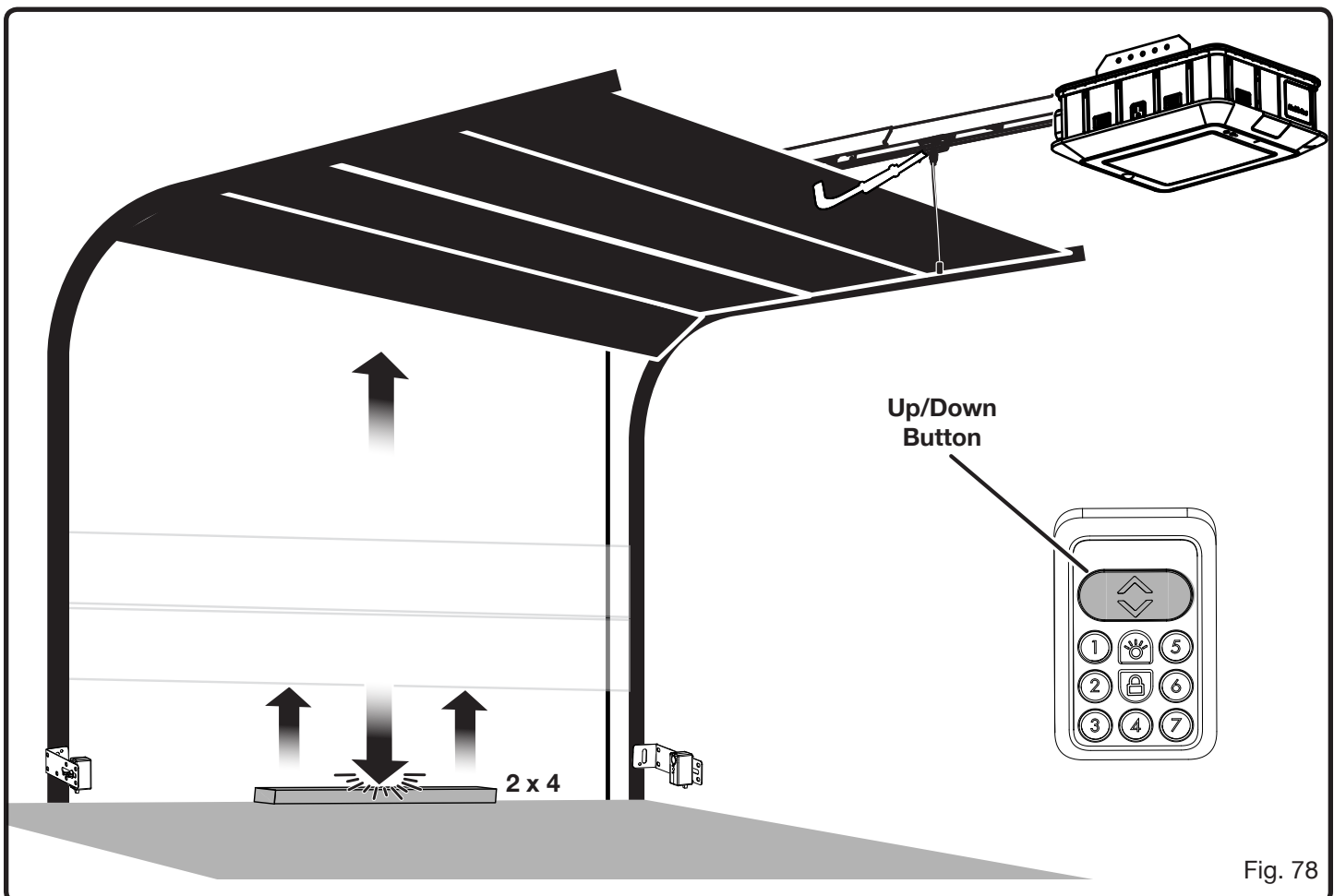


Fig. 78

OPERATION

PROGRAMMING THE OUTDOOR KEYPAD

See Figures 79 - 80.

WARNING:

Keep moving door in sight when using outdoor keypad. Contact with moving door can cause DEATH or serious injury.

Once you begin programming the outdoor keypad, you have two minutes to complete each step. If a step is not completed within two minutes, programming information will be erased.

- If you haven't already done so, install a 9-volt battery into the outdoor keypad.
- Press and hold the **1** button, then press the **ON/PROGRAM** button. The LEDs on the keypad will flash two times.
- Enter your desired PIN (4 digits). The LEDs on the keypad will flash three times. This indicates the PIN has been accepted and the keypad is ready to be paired with your garage door opener.
- Press and hold the **PROGRAM** button on the garage door opener's console until the garage door opener's LED lights turn off and the light behind the **PROGRAM** button on the console flashes three times. This indicates the console is in programming mode.
- Press the **ON/PROGRAM** button on the outdoor keypad, then enter your PIN. The light behind the **PROGRAM** button on the garage door opener's console will flash three times, then the garage door opener's LED lights will turn on.
- Within 30 seconds, press the **0** button on the keypad to verify the door moves. Once it does, the set-up is complete.
- To operate the garage door opener after initial set-up, press the **ON/PROGRAM** button on the keypad, then enter your PIN.

NOTE: In order to change the PIN or reset a forgotten PIN, repeat all of the steps listed in this section, including syncing the outdoor keypad to the garage door opener.

To set up a temporary PIN:

It is possible to set up a temporary PIN for use by visitors or service personnel. This PIN will remain available only until the next time you enter your regular PIN on the keypad.

- Press and hold the **3** button, then press the **ON/PROGRAM** button. The LEDs on the keypad will flash three times.
- Enter your current PIN. The LEDs on the keypad will briefly flash twice.

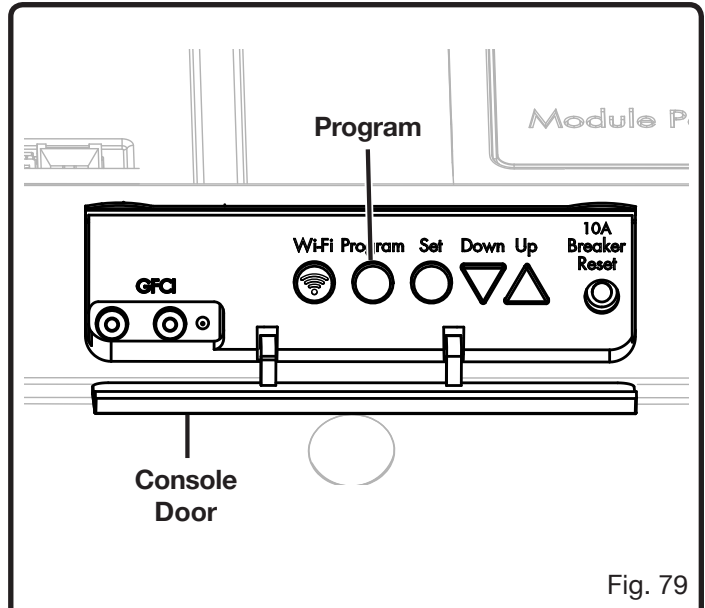


Fig. 79

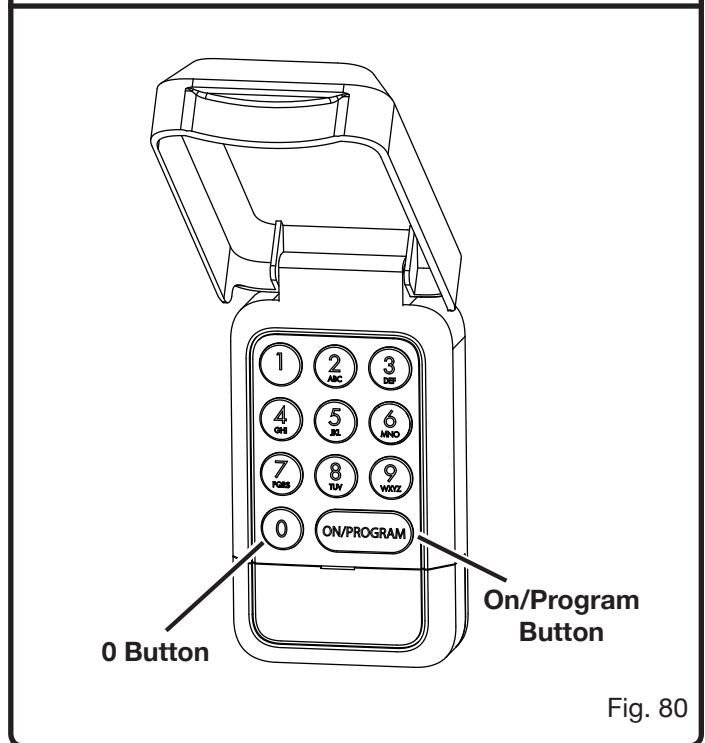


Fig. 80

- Enter the desired temporary PIN. The LEDs on the keypad will briefly flash three times and the temporary PIN is now ready to use.
- To operate the garage door opener using the temporary PIN, press the **ON/PROGRAM** button on the keypad, then enter the temporary PIN.

NOTE: Remember that the temporary PIN will be automatically deleted the next time your regular PIN is entered on the outdoor keypad.

OPERATION

PROGRAMMING THE CAR REMOTES

See Figure 81.

⚠ WARNING:

Keep moving door in sight when using car remotes. Contact with moving door can cause DEATH or serious injury.

Once you begin programming the car remotes, you have two minutes to complete each step. If a step is not completed within two minutes, programming information will be erased.

- Press the **PROGRAM** button on the garage door opener's console.
- The main garage door opener's LEDs will turn off and the **PROGRAM** button will flash three times.
- Select button **1** or **2** on the car remote. Press the button once.
- The car remote's green LED will flash.
- The **PROGRAM** button on the main unit will flash three times.
- The garage door opener main unit LEDs will turn on.
- To verify that the program is set, press the car remote button you selected earlier.
- The garage door will open or close.
- Repeat this process to sync the garage door opener with an additional remote.

NOTE: Buttons **1** and **2** cannot both be programmed to the same garage door opener.

NOTE: Safety sensors must always be connected properly for the door to operate from the car remote.

NOTE: The garage door opener cannot be operated with a car remote until travel limits have been set.

USING THE SMARTPHONE APP

See Figure 82.

⚠ WARNING:

To reduce the risk of injury to persons – Only enable the RYOBI Garage Door Opener Module System App feature when installed with a sectional door.

⚠ WARNING:

Devices or features, such as the RYOBI Garage Door Opener Module System App, that allow you to open and close the garage without the garage door being in view should only be used with sectional garage doors.

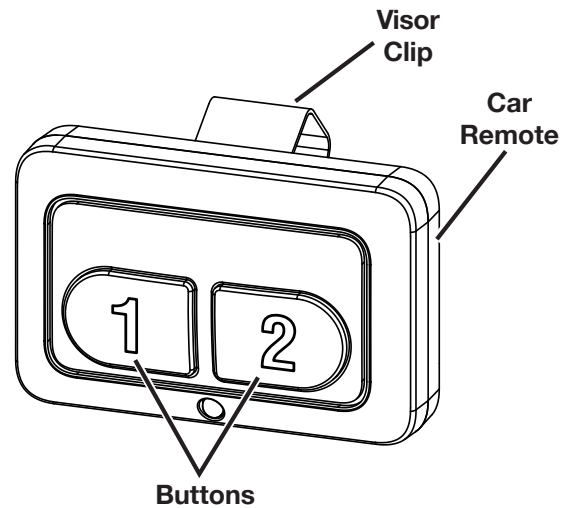


Fig. 81

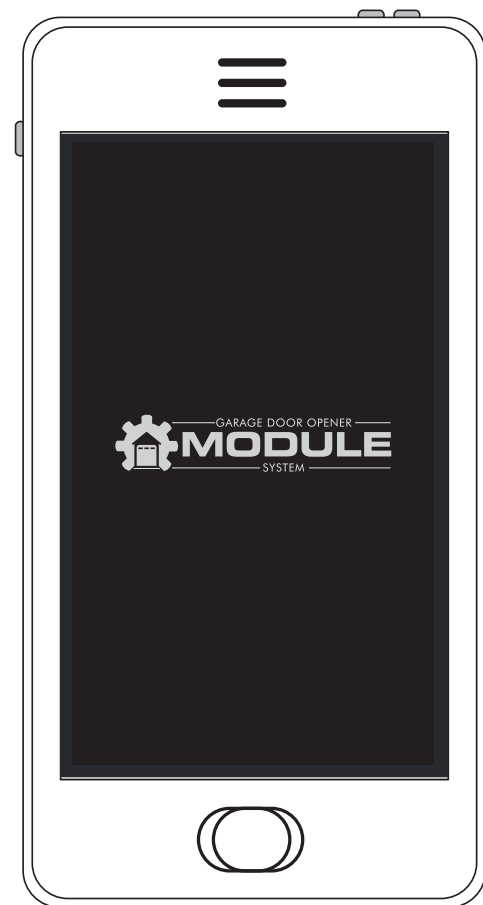


Fig. 82

- Download the RYOBI Garage Door Opener Module System App from the **App Store** or **Google Play Store**.
- Follow the instructions provided in the app and app guide to control your garage door opener and modules. For more information, visit www.ryobitools.com.

MAINTENANCE

IMPORTANT SAFETY INSTRUCTIONS

WARNING: TO REDUCE THE RISK OF SEVERE INJURY OR DEATH:

1. READ AND FOLLOW ALL INSTRUCTIONS.
2. Never let children operate, or play with door controls. Keep the remote control away from children.
3. Always keep the moving door in sight and away from people and objects until it is completely closed. **NO ONE SHOULD CROSS THE PATH OF THE MOVING DOOR.**
4. **NEVER GO UNDER A STOPPED PARTIALLY OPEN DOOR.**
5. Test door opener monthly. The garage door **MUST** reverse on contact with a 1-1/2 inch object (or a 2 by 4 board laid flat) on the floor. After adjusting either the force or the limit of travel, retest the door opener. Failure to adjust the opener properly may cause severe injury or death.
6. For products requiring an emergency release, if possible, use the emergency release only when the door is closed. Use caution when using this release with the door open. Weak or broken springs may allow the door to fall rapidly, causing injury or death.
7. **KEEP GARAGE DOOR PROPERLY BALANCED.** See owner's manual. An improperly balanced door could cause severe injury or death. Have a qualified service person make repairs to cables, spring assemblies and other hardware.
8. This operator system is equipped with an unattended operation feature. The door could move unexpectedly. **NO ONE SHOULD CROSS THE PATH OF THE MOVING DOOR.**

9. **SAVE THESE INSTRUCTIONS.**

WARNING:

Before inspecting, cleaning or servicing the machine, lower the garage door, shut off motor, wait for all moving parts to stop, disconnect unit from power supply, and remove all modules. Failure to follow these instructions can result in serious personal injury or property damage.

WARNING:

When servicing, use only identical replacement parts. Use of any other parts could create a personal injury hazard or cause product damage.

WARNING:

Periodically inspect the entire product for damaged, missing, or loose parts such as screws, nuts, bolts, caps, etc. Tighten securely all fasteners and caps and do not operate this product until all missing or damaged parts are replaced. Please contact customer service or an authorized service center for assistance. Loose, missing, or damaged parts can result in death, serious personal injury, or property damage.

GENERAL MAINTENANCE

Avoid using solvents when cleaning plastic parts. Most plastics are susceptible to damage from various types of commercial solvents and may be damaged by their use. Use clean cloths to remove dirt, dust, oil, grease, etc.

WARNING:

Do not at any time let brake fluids, gasoline, petroleum-based products, penetrating oils, etc., come in contact with plastic parts. Chemicals can damage, weaken or destroy plastic which could result in serious personal injury.

POWER SUPPLY CORD REPLACEMENT

If replacement of the power supply cord is necessary, this must be done by an authorized service center in order to avoid a safety hazard.

MAINTENANCE

REPLACING CAR REMOTE BATTERIES

See Figure 83.

WARNING:

KEEP OUT OF REACH OF CHILDREN. Swallowing batteries may lead to serious injury or death.

WARNING:

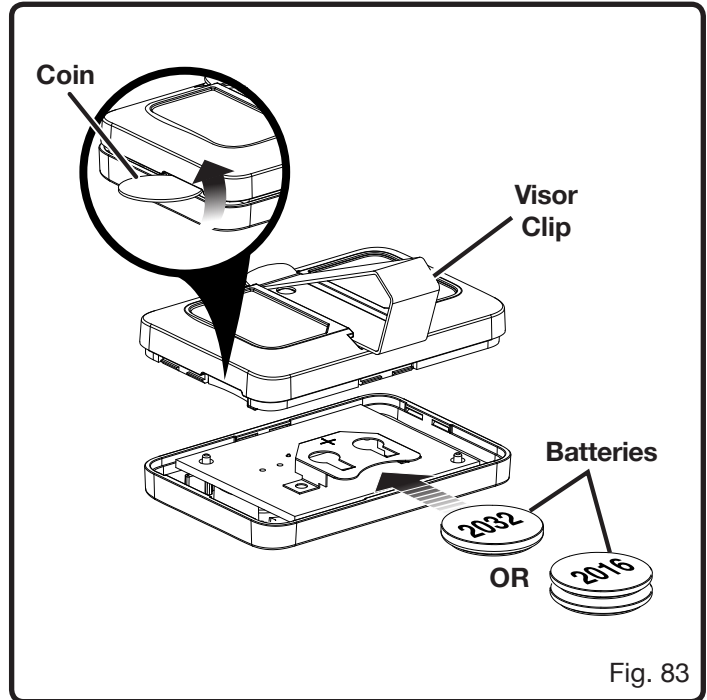
Risk of injury due to fire, explosion, or leakage. Do not disassemble, charge, crush, or expose to fire or high temperatures.

- Remove visor clip.
- Remove the battery cover by inserting the edge of a coin into the slot and twisting.
- Install the battery or batteries according to the polarity indicators.

NOTE: The remote can be powered by one 2032-size battery, or two 2016-size batteries stacked together.

- Reassemble the remote by aligning the sections as shown.

- Snap the sections together to close.
- Make sure the remote is securely reassembled before attaching the visor clip.



PERIODIC MAINTENANCE SCHEDULE	
Each Week	<ul style="list-style-type: none"> ■ Check the power head, rail, brackets, door arms, track, and rollers for loose or damaged parts. Replace or tighten as needed.
Each Month	<ul style="list-style-type: none"> ■ Manually open and close the garage door. If the door does not move smoothly, binds, or is out of balance, have the garage door or door springs repaired by a qualified service person. ■ Test the automatic reversal system as described in the <i>Installation</i> section.
Every 3 Months	<ul style="list-style-type: none"> ■ Test the travel limits of the garage door, as described in the <i>Operation</i> section, and ensure it opens and closes fully. ■ Check the condition of the power supply cord and battery pack. Replace as needed.
Each Year	<ul style="list-style-type: none"> ■ Lubricate the garage door rollers and hinges. The garage door opener is lubricated with a sufficient amount of lubricant for the life of the unit under normal operating conditions. Therefore, no further lubrication of the unit is required. DO NOT ADD LUBRICANT TO TRACKS. ■ Unplug the power head and test the battery backup. If the unit cannot run on DC power alone, charge or replace the battery pack.

ACCESSORIES

The following accessories are not included with your garage door opener but may be available where you purchased this product. For assistance call 1-877-205-5714.

- 8 ft. Extension Kit.....GDAEXT100
- Bluetooth Speaker GDM120
- Dual Laser Park Assist GDM222
- Extension Cord Reel GDM330
- Speed Control Fan GDM421
- Car Remote..... GDA100
- Safety Sensor..... GDA200
- Outdoor Keypad..... GDA300

WARNING:

Current attachments and accessories available for use with this product are listed above. Do not use any attachments or accessories not recommended by the manufacturer of this product. The use of attachments or accessories not recommended can result in serious personal injury.

TROUBLESHOOTING

PROBLEM	POSSIBLE CAUSE	SOLUTION
All of the console buttons are blinking continuously	DC voltage below 24V.	Disconnect the unit from the power supply. Wait several minutes before reconnecting. If problem persists, contact customer service.
	DC voltage exceeds 40 volts	Disconnect the unit from the power supply. Wait several minutes before reconnecting. If problem persists, contact customer service.
When setting or testing travel limits, a buzzer sounds and the UP button in the console blinks continuously	Safety sensor (receiver) can't be detected.	Inspect sensor wires for damage and ensure they are installed correctly. Reset travel limits.
When setting or testing travel limits, a buzzer sounds and the DOWN button in the console blinks continuously	Safety sensor (transmitter) can't be detected.	Disconnect the unit from the power supply. Inspect sensor wires for damage and ensure they are installed correctly. Connect the power supply and reset travel limits.
When testing travel limits, a buzzer sounds and all console buttons blink seven times.	A step for setting the travel limits was not completed within two minutes.	Complete each step for setting the travel limits within two minutes.
When testing travel limits, a buzzer sounds twice and all console buttons blink eleven times.	Safety sensors became misaligned or obstructed during testing	Remove the obstruction or align the safety sensors as described in the <i>Installation</i> section.
When programming the outdoor keypad, a buzzer sounds and all console buttons blink seven times.	A step for programming the outdoor keypad was not completed within two minutes.	Complete each step for programming the outdoor keypad within two minutes.
When programming a car remote, a buzzer sounds and all console buttons blink seven times.	A step for programming the car remote was not completed within two minutes.	Complete each step for programming the car remote within two minutes.
During operation, the opener struggles to raise or lower the door and then stops. A buzzer sounds continuously and the SET button in the console blinks continuously.	Motor amperage has exceeded 8 amps.	Unplug the unit. Have door spring or door repaired or replaced by a qualified service technician.
	Door spring (torsion spring and/or extension spring) is damaged.	Unplug the unit. Have door spring repaired or replaced by a qualified service technician.
	Door is too heavy, broken, or stuck.	Unplug the unit. Have door repaired or replaced by a qualified service technician.
When a car remote, smart phone, or keypad is used a buzzer sounds and the UP and DOWN buttons in the console blink continuously	The travel limits have been erased or have not been set correctly.	Set the travel limits as described in the <i>Operation</i> section.
Garage door begins to close then stops and reverses. A buzzer sounds five times and the garage door opener's LED lights blink five times	The garage door opener hit an object while it was closing.	Remove the object and continue operation.

TROUBLESHOOTING

PROBLEM	POSSIBLE CAUSE	SOLUTION
Garage door opener is in the fully open position and cannot be closed with a car remote, smart phone, or keypad	The safety sensors are not receiving power.	Inspect sensor wires for damage and ensure they are installed correctly. Reset travel limits.
Garage door opener does not activate when indoor keypad is pressed	Battery is low in charge or power supply not connected The wire connecting the keypad to the power head has been damaged Circuit breaker is tripped	Charge the battery or connect to power supply Replace damaged or broken wires Reset circuit breaker
Garage door opener activates, but the garage door does not move	The outer trolley is not engaged with the inner trolley The door arms are not connected to the outer trolley The door arms are not connected to the garage door	Pull the emergency release rope and raise the garage door until the outer trolley engages the inner trolley Secure the door arms to the outer trolley using clevis and hitch pin Secure the door arms to the garage door using clevis and hitch pin
Garage door cannot be opened or closed with car remote or outdoor keypad	The garage door opener is in Vacation Mode.	Press the LOCK (🔒) button on the indoor keypad or smart phone app to unlock the garage door opener
Garage door opener is loud or noisy	Fasteners may not be tightened securely The open travel limit has been set incorrectly (Single Panel Doors Only)	Inspect the entire product for loose parts such as screws, nuts, bolts, caps, etc. Tighten all parts securely Adjust the travel limits as described in the <i>Operation</i> section
AC modules not working	AC power supply is disconnected GFCI is tripped One or two modules are installed with a combined rating of more than 10 amps	Connect AC power supply Press the reset button on the console Remove the module or modules and press the 10 amp circuit breaker reset button on the console.
DC modules not working	AC power supply is disconnected The port powering the DC module is not activated.	Connect AC power supply Use the indoor keypad to activate the port.

WARRANTY

LIMITED WARRANTY STATEMENT

One World Technologies, Inc., warrants to the original retail purchaser that this RYOBI™ brand garage door opener is free from defect in material and workmanship and agrees to repair or replace, at One World Technologies, Inc.'s discretion, any defective product free of charge within these time periods from the date of purchase.

Power Head/Gearbox/Rails/Door Arms

- Three year limited warranty

Motor/Belt

- Lifetime limited warranty

Sensors/Remotes/Keypads

- Three year limited warranty

This warranty extends to the original retail purchaser only and commences on the date of the original retail purchase.

Any part of this product manufactured or supplied by One World Technologies, Inc., and found in the reasonable judgment of One World Technologies, Inc., to be defective in material or workmanship will be repaired or replaced without charge for parts and labor by a RYOBI™ Authorized Service Center.

The product, including any defective part, must be returned to a RYOBI™ Authorized Service Center within the warranty period. The expense of delivering the product to the service center for warranty work and the expense of returning it back to the owner after repair or replacement will be paid by the owner. One World Technologies, Inc.'s responsibility in respect to claims is limited to making the required repairs or replacements and no claim of breach of warranty shall be cause for cancellation or rescission of the contract of sale of any RYOBI™ brand product. Proof of purchase will be required to substantiate any warranty claim. All warranty work must be performed by a RYOBI™ Authorized Service Center.

This warranty does not cover any product that has been subject to misuse, neglect, negligence, or accident, or that has been operated in any way contrary to the operating instructions as specified in the operator's manual. This warranty does not apply to any damage to the product that is the result of improper maintenance or to any product that has been altered or modified so as to adversely affect the product's operation, performance or durability or that has been altered or modified so as to change its intended use. The warranty does not extend to repairs made necessary by normal wear or by the use of parts or accessories which

are either incompatible with the RYOBI™ brand garage door opener or adversely affect its operation, performance or durability.

One World Technologies, Inc., reserves the right to change or improve the design of any RYOBI™ brand garage door opener without assuming any obligation to modify any product previously manufactured.

ALL IMPLIED WARRANTIES ARE LIMITED IN DURATION TO THE STATED WARRANTY PERIOD. ACCORDINGLY, ANY SUCH IMPLIED WARRANTIES INCLUDING MERCHANTABILITY, FITNESS FOR A PARTICULAR PURPOSE, OR OTHERWISE, ARE DISCLAIMED IN THEIR ENTIRETY AFTER THE EXPIRATION OF THE STATED THREE-YEAR WARRANTY PERIOD. ONE WORLD TECHNOLOGIES, INC.'S OBLIGATION UNDER THIS WARRANTY IS STRICTLY AND EXCLUSIVELY LIMITED TO THE REPAIR OR REPLACEMENT OF DEFECTIVE PARTS AND ONE WORLD TECHNOLOGIES, INC., DOES NOT ASSUME OR AUTHORIZE ANYONE TO ASSUME FOR THEM ANY OTHER OBLIGATION. SOME STATES DO NOT ALLOW LIMITATIONS ON HOW LONG AN IMPLIED WARRANTY LASTS, SO THE ABOVE LIMITATION MAY NOT APPLY TO YOU. ONE WORLD TECHNOLOGIES, INC., ASSUMES NO RESPONSIBILITY FOR INCIDENTAL, CONSEQUENTIAL OR OTHER DAMAGES INCLUDING, BUT NOT LIMITED TO EXPENSE OF RETURNING THE PRODUCT TO AN AUTHORIZED RYOBI™ SERVICE CENTER AND EXPENSE OF DELIVERING IT BACK TO THE OWNER, MECHANIC'S TRAVEL TIME, TELEPHONE OR TELEGRAM CHARGES, RENTAL OF A LIKE PRODUCT DURING THE TIME WARRANTY SERVICE IS BEING PERFORMED, TRAVEL, LOSS OR DAMAGE TO PERSONAL PROPERTY, LOSS OF REVENUE, LOSS OF USE OF THE PRODUCT, LOSS OF TIME, OR INCONVENIENCE, SOME STATES DO NOT ALLOW THE EXCLUSION OR LIMITATION OF INCIDENTAL OR CONSEQUENTIAL DAMAGES, SO THE ABOVE LIMITATION OR EXCLUSION MAY NOT APPLY TO YOU.

This warranty gives you specific legal rights, and you may also have other rights which vary from state to state.

This warranty applies to all RYOBI™ brand garage door opener distributed by One World Technologies, Inc., and sold in the United States, Mexico, and Canada.

To locate your nearest RYOBI™ Authorized Service Center, dial 1-877-205-5714 or log on to our website at www.ryobitools.com.

FCC COMPLIANCE

The following FCC compliance information is for the GD200 garage door opener only. For information regarding other products, like modules and accessories, refer to the labels and documentation included with those items.

⚠ WARNING:

Changes or modifications to this unit not expressly approved by the party responsible for compliance could void the user's authority to operate the equipment.

This device complies with part 15 of the FCC rules. Operation is subject to the following two conditions: (1) this device may not cause harmful interference, and (2) this device must accept any interference received, including interference that may cause undesired operation.

NOTE: The grantee is not responsible for any changes or modifications not expressly approved by the party responsible for compliance. Such modifications could void the user's authority to operate the equipment.

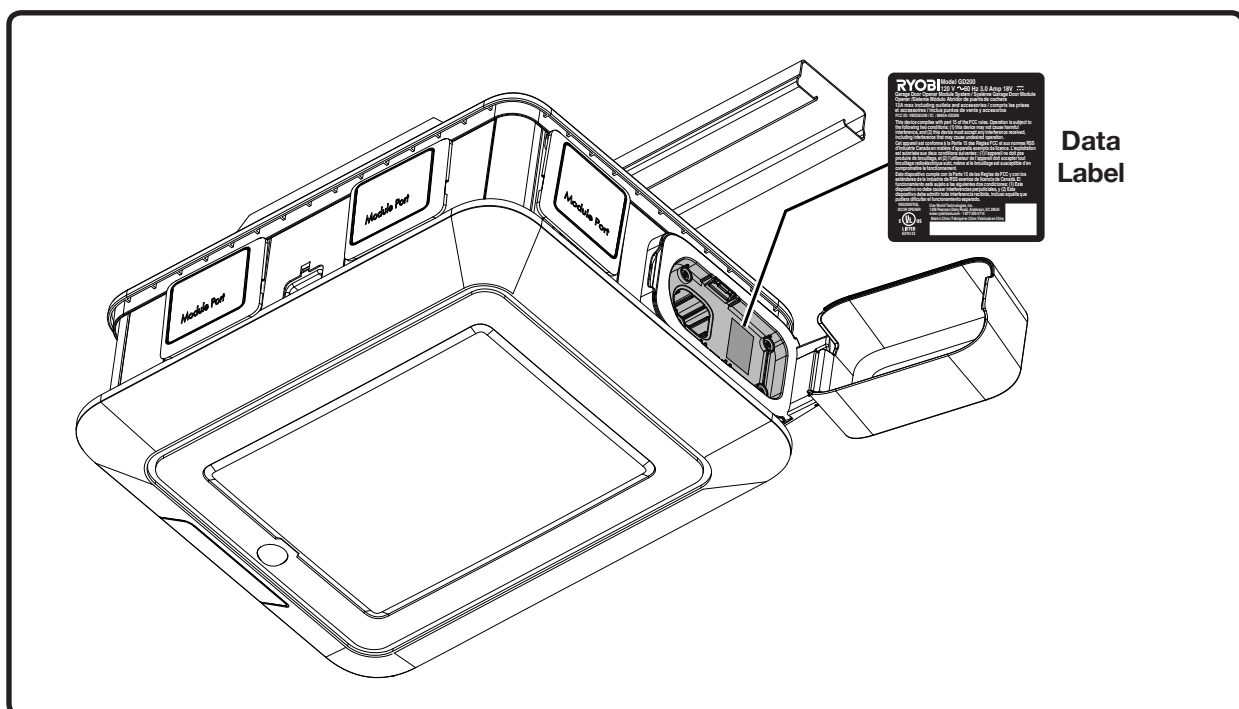
NOTE: This equipment has been tested and found to comply with the limits for a Class B digital device, pursuant to part 15 of the FCC Rules. These limits are designed to provide reasonable protection against harmful interference in a residential installation. This equipment generates, uses and can radiate radio frequency energy and, if not installed and used in accordance with the instructions, may cause harmful interference to radio communications. However, there is no guarantee that interference will not occur in a particular installation. If this equipment does cause harmful interference to radio or television reception, which can be determined by turning the equipment off and on, the user is encouraged to try to correct the interference by one or more of the following measures:

- Reorient or relocate the receiving antenna.
- Increase the separation between the equipment and receiver.
- Connect the equipment into an outlet on a circuit different from that to which the receiver is connected.
- Consult the dealer or an experienced radio/TV technician for help.

This device complies with Industry Canada license-exempt RSS standard(s). Operation is subject to the following two conditions: (1) this device may not cause interference, and (2) this device must accept any interference, including interference that may cause undesired operation of the device.

Under Industry Canada regulations, this radio transmitter may only operate using an antenna of a type and maximum (or lesser) gain approved for the transmitter by Industry Canada. To reduce potential radio interference to other users, the antenna type and its gain should be so chosen that the equivalent isotropically radiated power (e.i.r.p.) is not more than that necessary for successful communication.

For additional FCC information, refer to the data label located inside the battery compartment.



This equipment complies with FCC RF radiation exposure limits set forth for an uncontrolled environment. This equipment should be installed and operated with minimum distance of 20 cm between the radiator and your body.

This equipment complies with FCC RF radiation exposure limits set forth for an uncontrolled environment. This equipment should be installed and operated with minimum distance of 20 cm between the radiator and your body.