



**OPERATOR'S MANUAL
MANUEL D'UTILISATION
MANUAL DEL OPERADOR**

**SECURITY CAMERA ACCESSORY
FOR GD200 GARAGE DOOR
OPENER**

**ACCESSOIRE DE SECURITY CAMERA
POUR OUVRE-PORTE
DE GARAGE GD200**

**ACCESORIO DE SECURITY
CAMERA PARA
EL SISTEMA DE APERTURA
PARA PORTÓN
DE GARAJE GD200**

GDM610



SAFETY RULES FOR SECURITY CAMERA

WARNING:

To reduce the risk of injury, do not attempt to use this product until you have read thoroughly and understand completely this operator's manual and the operator's manual for the GD200 garage door opener. Ensure compatibility and fit before using this accessory. Do not use this accessory if a part is damaged or missing.

- Do not overreach. Keep proper footing and balance at all times. Proper footing and balance enable better control of the accessory in unexpected situations.
- Do not use the accessory if the indoor keypad or smartphone app does not turn it on or off. A accessory that cannot be controlled with the keypad or app is dangerous and must be repaired.
- Deactivate accessory ports before making adjustments, cleaning, or changing accessories. Such preventive safety measures reduce the risk of starting the accessory accidentally.
- Keep the accessory dry, clean and free from oil and grease. Always use a clean cloth when cleaning. Never use brake fluids, gasoline, petroleum-based products, or any strong solvents to clean your accessory. Following this rule will reduce the risk of loss of control and deterioration of the enclosure plastic.
- Clean only with dry cloth.
- Do not operate near any heat sources such as radiators, heat registers, stoves, or other apparatus (including amplifiers) that produce heat.
- Save these instructions. Refer to them frequently and use them to instruct others who may use this tool. If you loan someone this tool, loan them these instructions also to prevent misuse of the product and possible injury.

CALIFORNIA PROPOSITION 65

WARNING:

This product may contain chemicals, including lead, known to the State of California to cause cancer, birth defects or other reproductive harm. **Wash hands after handling.**

SYMBOLS

The following signal words and meanings are intended to explain the levels of risk associated with this product.

SYMBOL	SIGNAL	MEANING
	DANGER:	Indicates an imminently hazardous situation, which, if not avoided, will result in death or serious injury.
	WARNING:	Indicates a potentially hazardous situation, which, if not avoided, could result in death or serious injury.
	CAUTION:	Indicates a potentially hazardous situation, which, if not avoided, may result in minor or moderate injury.
	NOTICE:	(Without Safety Alert Symbol) Indicates important information not related to an injury hazard, such as a situation that may result in property damage.

Some of the following symbols may be used on this product. Please study them and learn their meaning. Proper interpretation of these symbols will allow you to operate the product better and safer.

SYMBOL	NAME	DESIGNATION/EXPLANATION
	Safety Alert	Indicates a potential personal injury hazard.
	Read Operator's Manual	To reduce the risk of injury, user must read and understand operator's manual before using this product.
	Electrocution/ Electric Shock	Do not touch electrical connections, do not install with wet hands, and keep module away from water to reduce the risk of electrocution or electric shock.

ASSEMBLY

PACKING LIST

Security Camera Accessory, Antenna, Icon Label, and Operator's Manual.

WARNING:

Ensure accessories are properly and securely connected to their port on the garage door opener. Failure to properly secure the accessory can cause it to fall and could result in serious personal injury or property damage.

WARNING:

Use extreme care if you need to stand on a ladder to install or adjust this accessory. Ensure someone is holding the ladder on the ground to keep it stable. Failure to safely use a ladder can cause a fall and result in death or serious personal injury.

INSTALLING THE ANTENNA

See Figure 1

Locate the antenna inside the package and connect to the accessory as shown.

INSTALLING/REMOVING THE SECURITY CAMERA ACCESSORY

See Figure 2.

- Assemble and mount the garage door opener as described in the garage door opener manual.
- Connect the garage door opener to an AC power supply.
- Select one of the seven DC accessory ports to power your accessory.

- Hook the accessory to the top of the garage door opener and insert it into the accessory port. Ensure the bottom latch on the accessory is secured to the port on the garage door opener.

NOTE: DC accessories will not receive power unless the accessory port has been activated. See **Activating/Deactivating DC Accessory Ports** later in this manual.
- Depress latch to release and remove the accessory.

OPERATION

WARNING:

Always deactivate accessory ports when you are assembling parts, making adjustments, cleaning, or when not in use. Deactivating accessory ports will prevent accidental starting that could cause serious personal injury.

ACTIVATING/DEACTIVATING DC ACCESSORY PORTS

See Figure 3.

It is recommended to install the security camera accessory in port #7 to face the garage door and into the drive once the door is opened. The security camera accessory will, however, operate in any of the ports on the RYOBI Garage Door Opener.

- To activate a DC accessory port, press the number on the indoor keypad (not included) corresponding with the desired port. For example, to activate accessory port #7 press **NUMBER 7** on your keypad.

NOTE: Multiple ports can be activated at once.
- To deactivate a DC accessory port, press the number on the indoor keypad (not included) corresponding with the port.

STARTING/STOPPING THE SECURITY CAMERA ACCESSORY

See Figure 3.

- Install the accessory and activate the appropriate accessory port by pressing the corresponding number on the keypad.

NOTE: For quick identification, the supplied icon label can be placed over the keypad number.
- After the accessory port is activated, the images from the security camera accessory can be viewed with the **RYOBI GDO System** app available from Google Play or the App Store.
- A solid red LED indicates power to the accessory.
- The pairing process begins automatically and the LED indicator flashes blue.
- Flashing stops and the LED is solid blue once the accessory is connected to the server. The accessory is now ready to connect to your home wi-fi through the app on your smartphone (not included).

NOTE: A flashing red LED indicates a Wi-Fi connection failure. Press the Wi-Fi button to restart the connection process.

ADJUSTING THE LENS

See Figure 4

The security camera lens adjusts in two different ways. Manually rotate the outer ring left to right or raise and lower the center lens, as shown, to achieve the desired viewing area.

MICRO SD CARD FOR STORAGE

See Figure 5

The included MicroSD card can store pictures or videos captured by the security camera accessory.

To install:

- Insert card into the slot as shown and press and release to lock into place.

To remove:

- Press card to release and remove from slot.

This product has a **Three-Year Limited Warranty**. For Warranty details go to www.ryobitools.com

FIG. 1

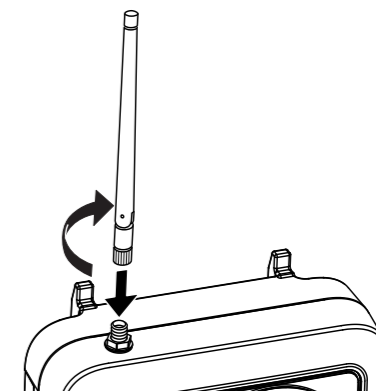
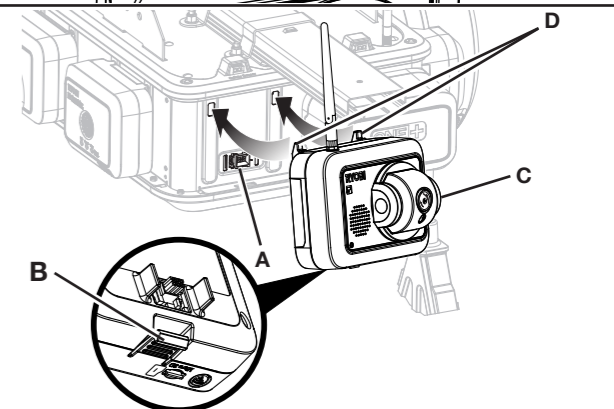
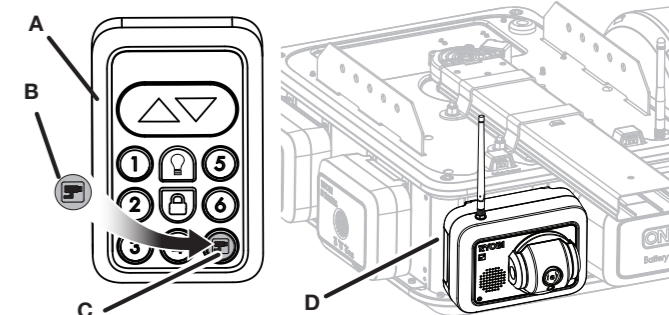


FIG. 2



A - Accessory Port #7 (prise du module #7, puerto del módulo #7)
B - Latch (loquet, pestillo)
C - Security Camera Accessory (module de security camera, módulo de security camera)
D - Hooks (crochets, ganchos)

FIG. 3



A - Indoor keypad (clavier de l'intérieur, panel en el interior)
B - Icon label (étiquette d'icône, etiqueta del icono)
C - Number 7 (numéro 7, número 7)
D - Module Port #7 (prise du module #7, puerto del módulo #7)

FIG. 4

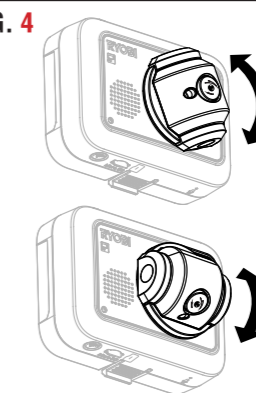
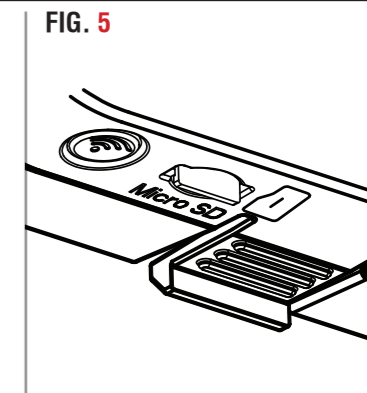


FIG. 5



ONE WORLD TECHNOLOGIES, INC.

1428 Pearman Dairy Road, Anderson, SC 29625 • Phone 1-877-205-5714
États-Unis, Téléphone 1-877-205-5714 • USA, Teléfono 1-877-205-5714

www.ryobitools.com

995000147
11-8-16 (REV:01)

FCC Statement

1. This device complies with Part 15 of the FCC Rules. Operation is subject to the following two conditions:

- (1) This device may not cause harmful interference.
- (2) This device must accept any interference received, including interference that may cause undesired operation.

2. Changes or modifications not expressly approved by the party responsible for compliance could void the user's authority to operate the equipment.

NOTE: This equipment has been tested and found to comply with the limits for a Class B digital device, pursuant to part 15 of the FCC Rules. These limits are designed to provide reasonable protection against harmful interference in a residential installation.

This equipment generates uses and can radiate radio frequency energy and, if not installed and used in accordance with the instructions, may cause harmful interference to radio communications. However, there is no guarantee that interference will not occur in a particular installation. If this equipment does cause harmful interference to radio or television reception, which can be determined by turning the equipment off and on, the user is encouraged to try to correct the interference by one or more of the following measures:

- Reorient or relocate the receiving antenna.
- Increase the separation between the equipment and receiver.
- Connect the equipment into an outlet on a circuit different from that to which the receiver is connected.
- Consult the dealer or an experienced radio/TV technician for help

This equipment complies with FCC radiation exposure limits set forth for an uncontrolled environment. This equipment should be installed and operated with minimum distance of 20 cm between the radiator and your body.

IC Statement

This device complies with Industry Canada licence-exempt RSS standard(s). Operation is subject to the following two conditions: (1) this device may not cause harmful interference, and (2) this device must accept any interference received, including interference that may cause undesired operation.

Le présent appareil est conforme aux CNR d'Industrie Canada applicables aux appareils radio exempts de licence. L'exploitation est autorisée aux deux conditions suivantes :

- (1) l'appareil ne doit pas produire de brouillage, et
- (2) l'utilisateur de l'appareil doit accepter tout brouillage radioélectrique subi, même si le brouillage est susceptible d'en compromettre le fonctionnement.

Cet équipement est conforme aux limites d'exposition aux rayonnements ioniques du CI établies pour un environnement non contrôlé. Cet équipement doit être installé et utilisé avec une distance minimale de 20 cm entre le radiateur et votre corps.