

Wireless Headphone

User's Manual

MHP-AV1(WT-1+WR-1)



Acknowledgment & Trademark

Manufactured under license from Dolby Laboratories “Dolby”, “Dolby Digital”, “Dolby Pro Logic”, and the Double – D symbol are trademarks of Dolby Laboratories.

FCC Compliance Statement

The equipment has been tested and found to comply with the limits for a Class B digital device, pursuant to Part 15 of the FCC Rules. These limits are designed to provide reasonable protection against harmful interference in residential installation. This equipment generates, uses, and can radiate radio frequency energy and, if not installed and used in accordance with the instructions, may cause harmful interference to radio communications. However, there is no guarantee that interference will not occur in a particular installation. If this equipment does cause interference to radio or television reception, which can be determined by turning the equipment off and on. The user is encouraged to try to correct the interference by one or more of the following measure:

- Reorient or relocates the receiving antenna.
- Increase the separation between the equipment at receiver.
- Connect the equipment into an outlet on a circuit different from that to which the receiver is connected.
- Consult the dealer or an experienced radio / TV technician for help.

Notice: This device complies with Part 15 of the FCC rules. Operation is subject to the following two conditions: (1) this device may not cause harmful interference, and (2) this device must accept any interference received, including interference that may cause undesired operation. Shielded cables and I/O cords must be used for this equipment to comply with the relevant FCC regulations. Changes or modifications that are not expressly approved in writing by HC Technology Co., Ltd. May void the user’s authority to operate this equipment. This digital apparatus does not exceed the Class B limits for radio noise emissions from digital apparatus set out in the radio interference regulation of the Canadian Department of Communication.

This transmitter must not be co-located or operating in conjunction with any other antenna or transmitter.

Table of Contents

Introduction	3
Specification	3
Package Includes	3
Safety Voltage Chart	4
Description of Parts	5
Connection Chart	6-7

In case of insurance claim, please make sure to record the Model Number and Serial Number printed on the real panel of the cabinet. The space below is provided for you to record the information.

Model Number : _____
Serial Number : _____
Purchase Date : _____
Dealer Name : _____

Introduction

Using a sophisticated room modeling techniques, the Juster Wireless Dolby Headphone combines the 5.1 surround signals to create an amazingly vivid surround sound environment. It is a perfect solution for travelers and late-night movie viewers.

Specification

- Audio Mode Support: Dolby Digital, Dolby Pro Logic II, DTS, MPEG2 AAC
- Dolby Headphone Mode: Dolby Headphone and Stereo
- Audio Input: Digital: Optical / coaxial and Analog: RCA /Stereo Line in
- Wireless: 2.4GHz RF Communication
- Headphone driver: Φ 40mm
- Frequency Response: 20Hz - 20kHz
- Power: DC 2.4V (Rechargeable battery x 2)
DC 3V (AA battery x 2)

Package Includes

- Dolby headphone decoder with Wireless Transmitter (1pc)
- Short stereo cable: 0.5M (1pc)
- Long stereo cable: 2.5M (1pc)
- Short optical cables: 0.5M (1pc)
- Long optical cables: 2.5M (1pc)
- Optical adapter (1pcs)
- AAA Rechargeable battery (2pcs)
- Battery-charge adapter (1pc)
- User manual (1pc)

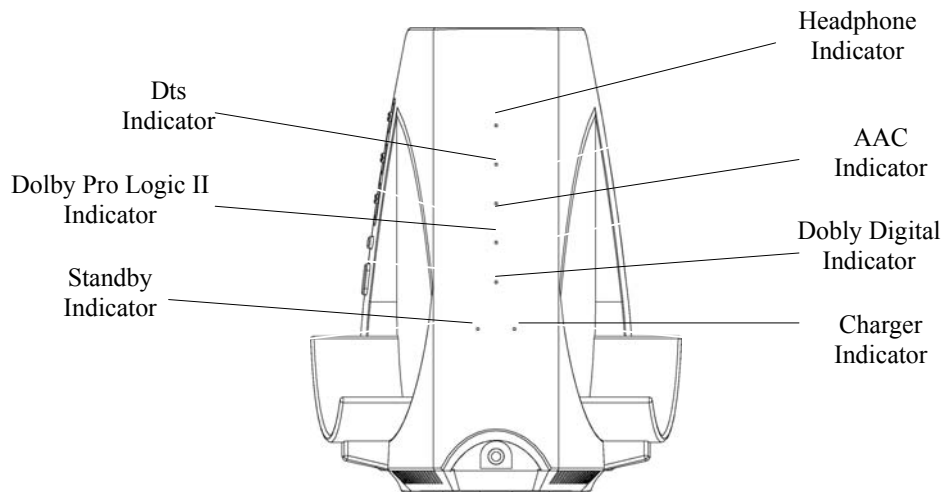
Safety Voltage Chart :

Use the following chart to find out the correct power voltage in your country :

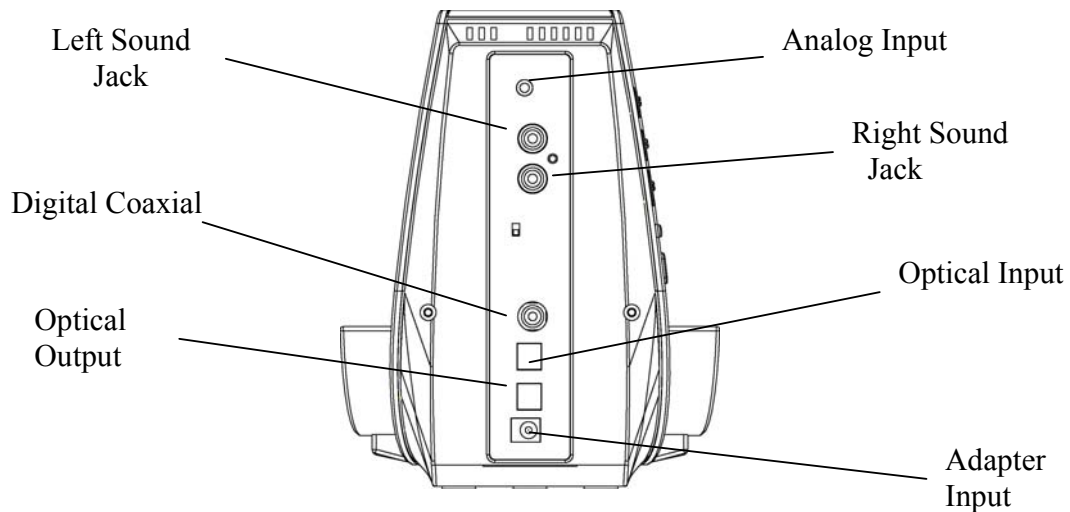
Input		Area
Voltage	Frequency	
AC 100-120V	50-60Hz	North America/ Taiwan/Japan
AC 230V	50 Hz	Europe/UK

Description of Parts

Front panel of Transmitter Base

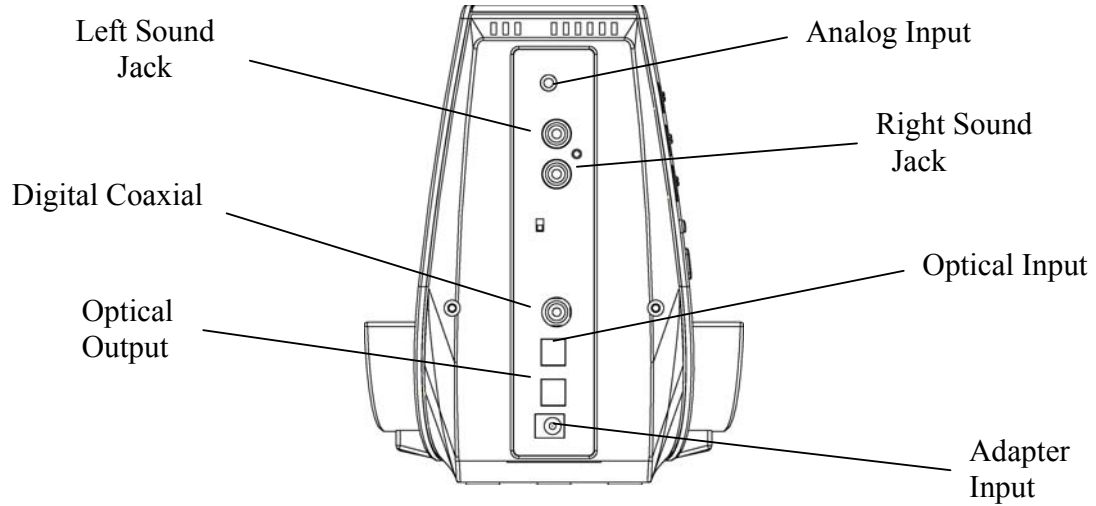


Back Panel

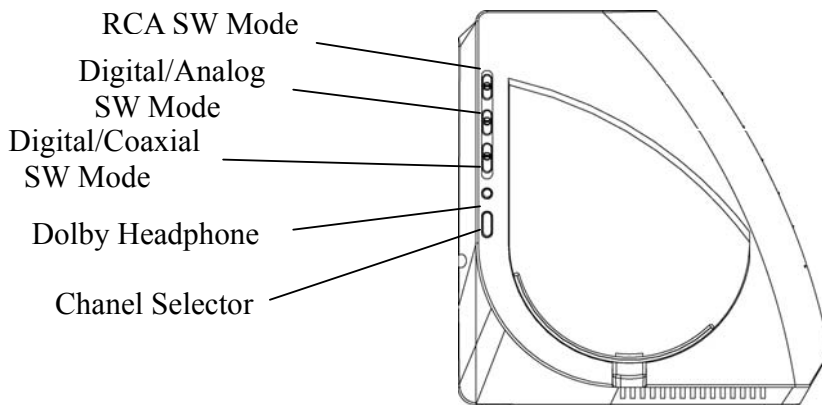


1. Analog/Optical Input
 - Input for either Digital or Analog signal source
2. Decode mode indicator for Dolby Pro Logic II & Left 2 channel indicator in Noise Test mode
3. Indicator for Dolby Headphone or Stereo Headphone mode & Center channel indicator in Noise Test mode 10
4. Decode mode indicator for Dolby Digital & Right channel indicator in Noise Test mode
5. Digital signal input mode indicator & Surround Left channel indicator in Noise Test mode
6. Analog signal input mode indicator
7. Decode mode indicator for DTS & Surround Right channel indicator in Noise Test mode
8. Headphone Volume Control
 - Push the switch to get the desired volume level
9. Battery Charger Jack
 - Plug in the battery charger for battery charge
10. Input select button
 - Switch the input signal source (Digital/ Analog)
11. Output mode select button
 - Switch between Dolby Headphone and Stereo Headphone
12. Test button
 - Performs function test of the system with pink noise signal in Left, Center, Right, Surround Right, and Surround Left channels
13. Power Off/On switch
14. Power Off/On indicator

Back Panel



Side Panel



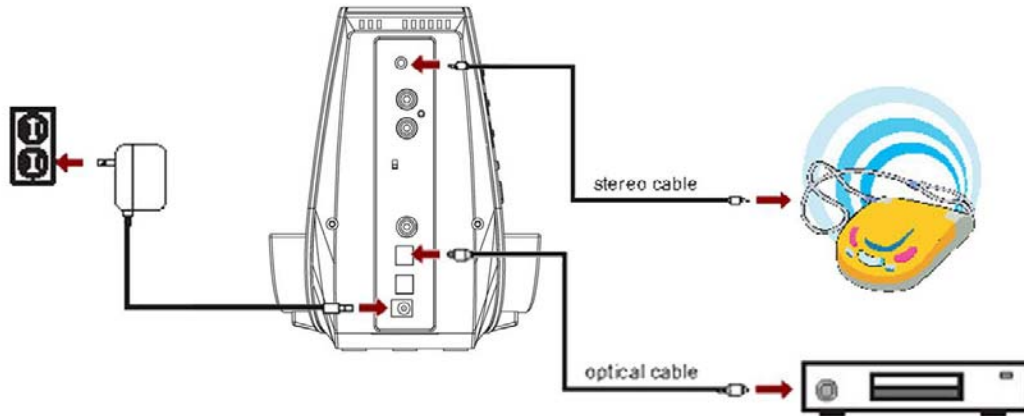
Connection Chart

1. Digital Input

- Use associate optical cable to connect the optical signal output device and decoder
- Use associate stereo cable to connect the anlog signal output device and decoder

2. Charge

-Plug in the battery charger for battery charge



3. Battery Insert

- a. Remove the cover of battery case
- b. Insert the fully charged batteries with correct pole direction
- c. Put back the cover

