

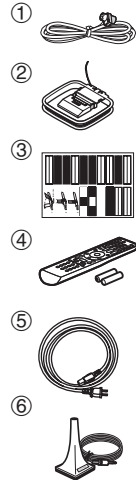
Quick Start Guide

TX-NR727

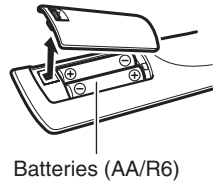
Supplied Accessories

Make sure you have the following accessories:

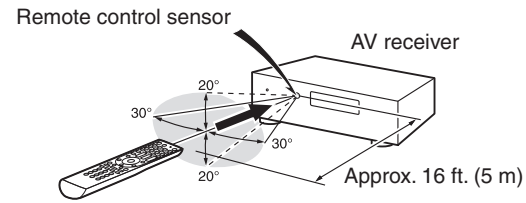
- ① Indoor FM antenna
- ② AM loop antenna
- ③ Speaker cable labels
- ④ Remote controller and two batteries (AA/R6)
- ⑤ Power cord (European and Taiwanese models) (Plug type varies from country to country.)
- ⑥ Speaker setup microphone



Using the Remote Controller



Batteries (AA/R6)

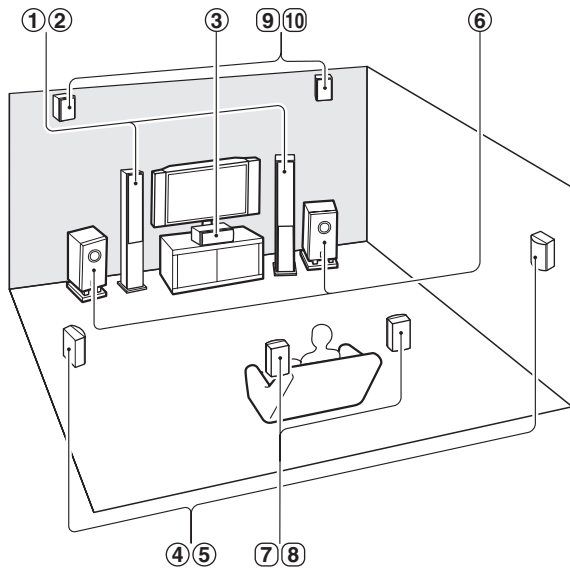


When performing automatic speaker setup, connect your TV to the AV receiver and make the room as quiet as possible.

Note

Before connecting the power cord, connect all of your speakers and AV components.

1. Connecting Your Speakers

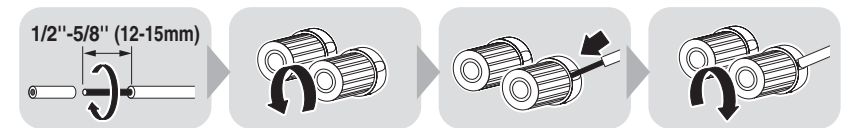
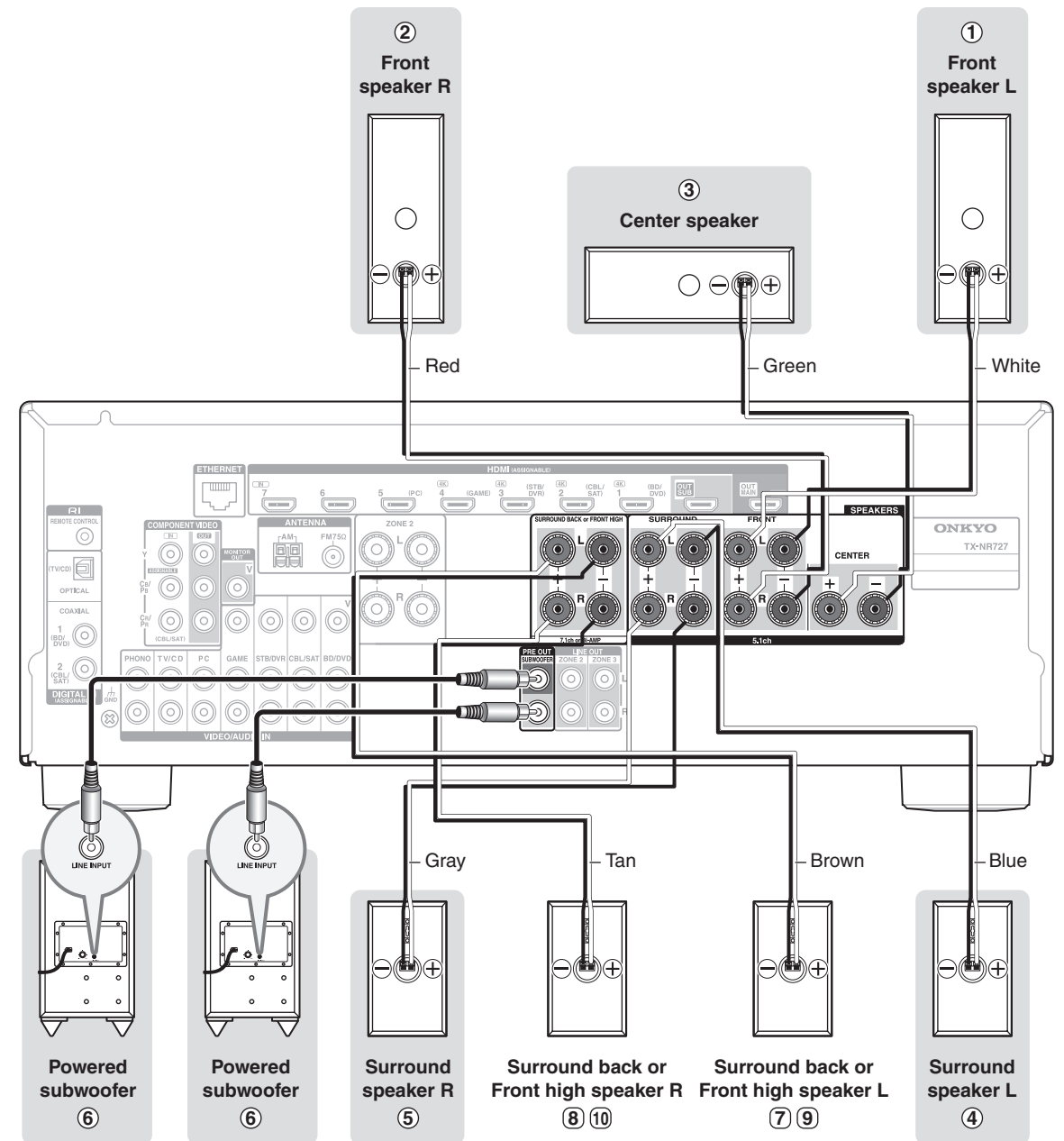


- ① ② Front speakers
- ③ Center speaker
- ④ ⑤ Surround speakers
- ⑥ Subwoofer(s)
- ⑦ ⑧ Surround back speakers
- ⑨ ⑩ Front high speakers

Speaker Configuration

- 5.1-channel: ① ② ③ ④ ⑤ ⑥
- 7.1-channel: ① ② ③ ④ ⑤ ⑥ + ⑦ ⑧
- 7.1-channel: ① ② ③ ④ ⑤ ⑥ + ⑨ ⑩

Please connect ①, ②, ③, ④, ⑤ and ⑥ for 5.1-channel surround.



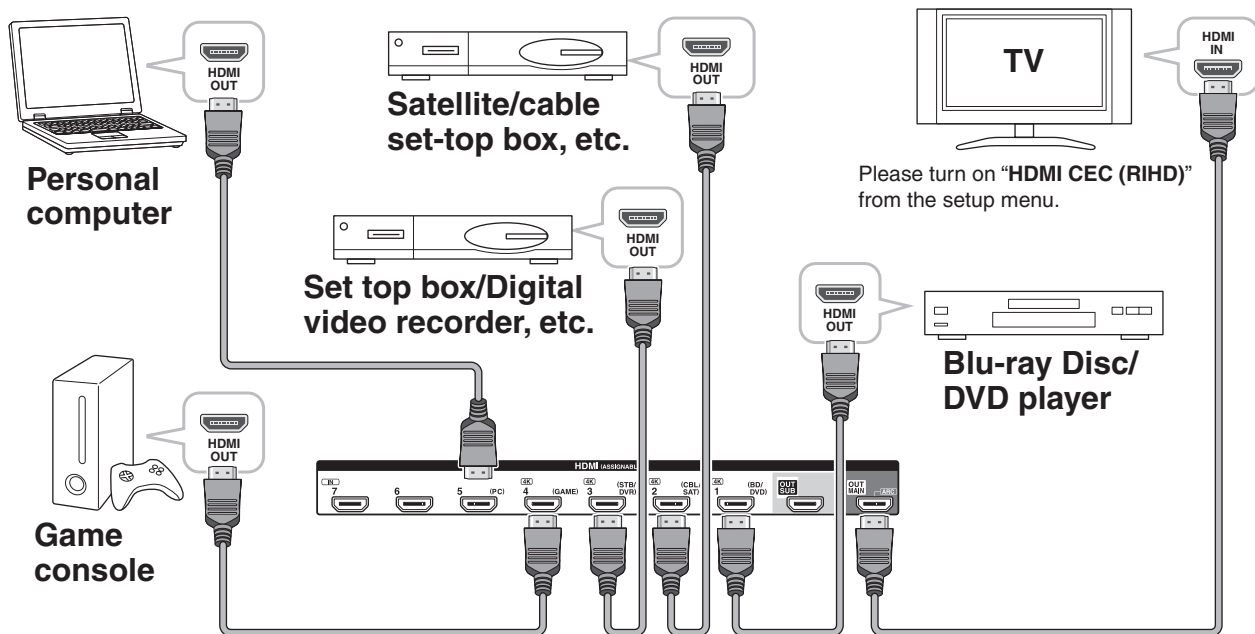
Y1302-1



* 2 9 4 0 1 4 3 1 *

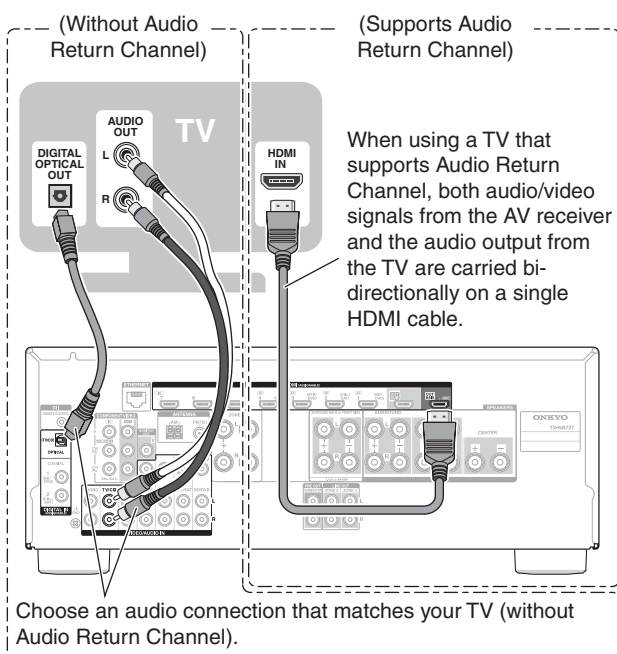
2. Connecting Your Components

Connecting Components with HDMI

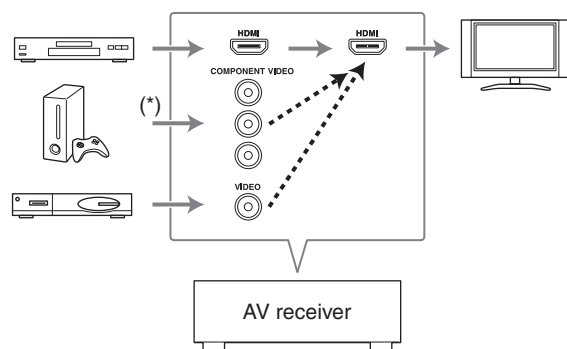


The components connected to each terminal (**BD/DVD**, **GAME**, etc.) can be selected with the input selector buttons of the same name on the front panel. Note that these default assignments can be changed. For details, please refer to the instruction manual.

■ Listening to TV audio (Optional)



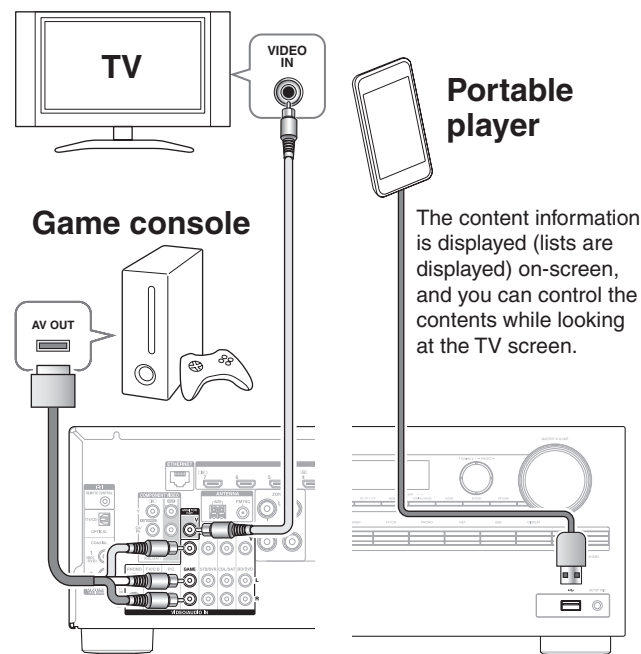
■ Video upconversion to HDMI



If you've connected your TV to the AV receiver with an HDMI cable, composite video and component video sources can be upconverted and output by the HDMI OUT MAIN.

(*) In order for the AV receiver to upconvert component input to HDMI output, the source output must be set to 480i/576i. When signal is input at resolution of 480p/576p and more, error message will be displayed.

Connecting Components without HDMI



3. Turning On & Initial Setup

Initial Setup is automatically started upon first-time use, and you can make an initial setup by watching guidance displayed on the TV screen. If you make this setup later, select No and press **ENTER** on the remote controller on the next screen after selecting the language.

- Connect the AV receiver to your TV with HDMI to make an Initial Setup on the TV screen.
- If you set your home network to "Wireless", see "4. Performing Wireless LAN Setup".

Using the Setup User Interface

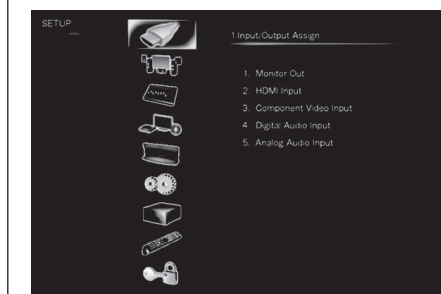
If you connect the AV receiver to your TV with HDMI, you can make settings on the TV screen. On the TV, select the input to which the AV receiver is connected.

Setup Menu (Home Menu)

The Setup menu provides extended setup that includes settings for advanced users.

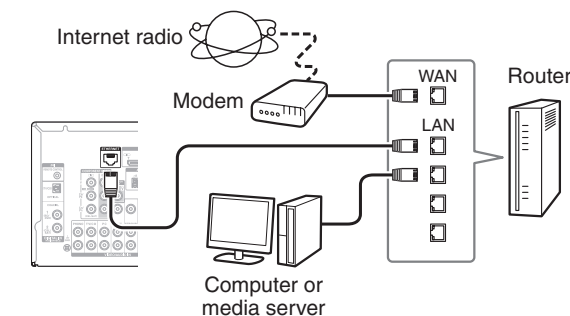
■ Setup operation

Use **◀/▶** or **▲/▼** in the center to select items on the screen, and press **ENTER** to confirm. Press **RETURN** to return to the previous screen. Press **HOME** to close the setup screen.



Connecting to the Network (Optional)

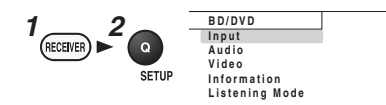
The following diagram shows how you can connect the AV receiver to your home network. In this example, it's connected to a LAN port on a router, which has a 4-port 100Base-TX switch built-in.



The AV receiver supports Wi-Fi, and you can connect the AV receiver to your home network by wireless LAN. For wireless LAN connection, see "4. Performing Wireless LAN Setup" (→Page 5).

Quick Setup

The Quick Setup provides quick access to frequently used settings. You can change settings and view the current information.



▶ Input

You can select the input source while viewing the related information.

▶ Audio

You can change various audio settings such as tone controls, the subwoofer and center channel levels.

▶ Information

You can view various information about the currently selected input source.

▶ Listening Mode

You can select the listening modes that are grouped in categories.

Press **SETUP** to close the menu.

4. Performing Wireless LAN Setup

You can enjoy listening to Internet radio or files on a server (DLNA) through Wi-Fi (Wireless LAN) network. You need to perform the wireless LAN setup to connect the AV receiver to a wireless device such as a wireless router.

■ Previous check for wireless LAN router

There are two types of setting, “Automatic” and “Manual”. If your wireless LAN router has a “WPS button” (*), automatic setup is available. If not, make the setting manually. If the router does not support WPS, take a note of ① SSID and ② Password (secret key) on the label of the router. Manual setting is available regardless of the “WPS button” on the router.

(*) The “WPS button” is a standard of Wi-Fi Alliance. The name of the button may differ depending on the router maker.

■ Setup procedure

Connect the AV receiver to your TV with HDMI and display the setup screen on the TV. Use a supplied remote controller for the setting. Press **RECEIVER** before using the remote controller. Use ◀/▶ or ▲/▼ in the center to select items on the screen, and press **ENTER** to confirm. Press **RETURN** to return to the previous screen. For further information, see “Remote Controller”.

(→Page 8)

1 Display “Wireless setup” menu on your TV

● Setup using Initial Setup

Initial Setup function is launched upon first-time use. To perform Initial Setup, move your cursor and click on “Wireless” in “Network Connection”, press **ENTER**, select “Yes” on the next screen, and press **ENTER**. (*2)

● Setup not using Initial Setup

This is a setting using Setup Menu (Home Menu). Display “Wireless setup” menu by performing the following procedure which contains five steps.

1. Press **Receiver** followed by **Home** on the remote controller.
2. Select “**Setup**” on the screen, and press **ENTER**.
3. Select “**Hardware Setup**”, and press **ENTER**.
4. Select “**Network** (*1)”, and press **ENTER**.
5. Select “**Network Connection**”, move your cursor and click on “**Wireless**”, and press **ENTER**. (*2)

(*1) When “Network” is grayed out, please wait until it becomes operable after the communication is completed.

(*2) The reaction may be slow. Please wait for a short while.

2 Select the setting method, Automatic or Manual.

● Automatic setting

Select “**Push Button Configuration (Linksys E/EA Router)**” (Connection to Linksys E/EA Router) or “**Push Button Configuration (Other Routers)**”, and press **ENTER** for North American models.

Select “**Push Button Configuration (Select from Router)**”, and press **ENTER** for excluding North American models.

● Manual setting

Select “**Search Wireless Network**”, and press **ENTER**.

3 Automatic setting

Select “**Push Button**” (*) and press **ENTER**. Press “WPS button” on the wireless LAN router, select “**OK**” on the TV screen, and press **ENTER**.

(*) If you select “**PIN Code**”, PIN code setting is available. Use this setting in case WPS button is in the hard location to press, etc. In PIN code setting, register the displayed eight-digit PIN code with the wireless LAN router. For registration, see the instruction manual provided with the wireless LAN router.

Manual setting

Select SSID of your wireless LAN router from the list of SSID displayed on the screen, and press **ENTER**. Either of the following options is automatically displayed in conjunction with the wireless router setting.

WEP method

1. Select “**Default key ID**”, and press **ENTER**.
2. Select “**1**” on the next screen. (If you change WEP key on the router side, select that number.)
3. Select “**Password**” on the next screen, and press **ENTER**.
4. Enter the Password (*) by using a key board displayed on the screen, select “**OK**”, and press **ENTER**.

5. Select “**OK**” on the next screen, and press **ENTER**.

(*) Pressing Shift switches between uppercase and lowercase.

WPA/WPA2 method

1. Select “**Password**”, and press **ENTER**.
2. Enter the Password (*) by using a key board displayed on the screen, select “**OK**”, and press **ENTER**.
3. Select “**OK**” on the next screen, and press **ENTER**.

(*) Pressing Shift switches between uppercase and lowercase.

No encryption

You do not need to set the default key ID nor Password. Select “**OK**” on the screen, and press **ENTER**. Select “**OK**” on the next screen again, and press **ENTER**.

4 Connection

Connection is started, and Wi-Fi indicator flashes on the left of the AV receiver display. When connected successfully, Wi-Fi indicator lights. If the indicator does not light, the connection was not made successfully. Make settings above again. Try the manual setting if the automatic setting does not work.

5 Enjoying Internet radio

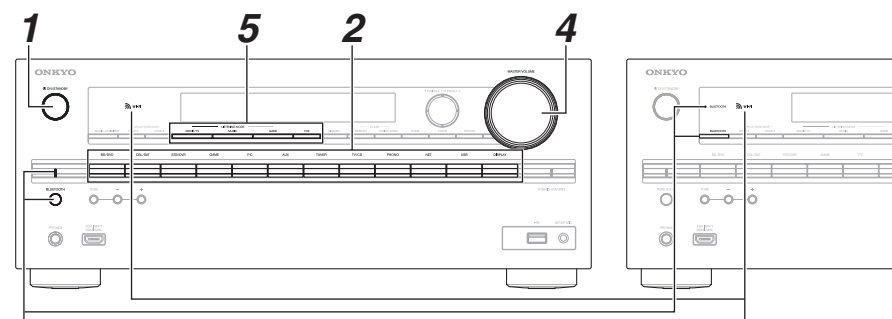
Press **HOME** on the remote controller, select “**Network Service**” on the next screen. You can enjoy various types of Internet functions. For further information, see “Playback” in the Instruction Manual.

If the settings or operations of Wi-Fi or Bluetooth do not work, see separate volume, “Wi-Fi & Bluetooth Troubleshooting”.

5. Playback

(North American and Taiwanese models)

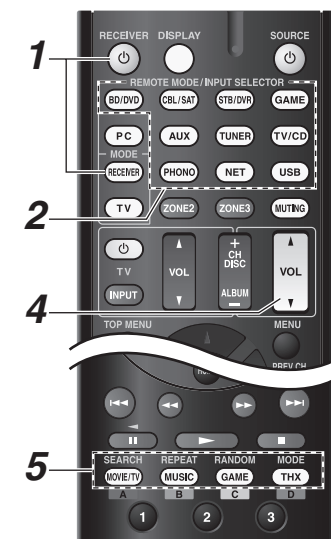
(European, Australian and Asian models)



BLUETOOTH button and indicator

Wi-Fi indicator

- 1 Turn on the AV receiver.
- 2 Select the input source.
- 3 Start playback on the source component.
- 4 Adjust the volume.
- 5 Select a listening mode and enjoy!



Playing an Audio from Bluetooth enabled Device

You can enjoy music files on Bluetooth-enabled devices such as smart phones or digital music players wirelessly. (Bluetooth-enabled devices must support A2DP protocol)

■ Pairing

- When you play music files on your Bluetooth-enabled device, you need to establish pairing only for the first time.
- Look for the following operation procedure of the Bluetooth-enabled device as an input source before establishing pairing. “Procedure to turn the Bluetooth setting ON” “Procedure to connect the Bluetooth-enabled device to other components”.

1 Put the AV receiver to pairing mode

When you press **BLUETOOTH** on the front panel of the AV receiver, Bluetooth indicator flashes and the AV receiver is put to pairing mode.

- When establishing pairing with other Bluetooth-enabled device, press and hold down **BLUETOOTH** on the AV receiver until the Bluetooth indicator flashes.

The AV receiver can save up to ten pairing information.

2 Connecting to Bluetooth-enabled device

Connect the AV receiver to the Bluetooth-enabled device from a close distance (approx. 1 m) while the indicator on the AV receiver is flashing.

When a model name of the AV receiver is displayed on the screen of Bluetooth-enabled device, select it. After a short while, pairing will be completed.

- When asked for a password on the Bluetooth-enabled device, enter “0000”.

■ Enjoying music files by using Bluetooth function

If you connect the AV receiver to your Bluetooth-enabled device with the AV receiver ON, input selector on the AV receiver is automatically switched to Bluetooth position. Play back the music files in this Bluetooth position status.

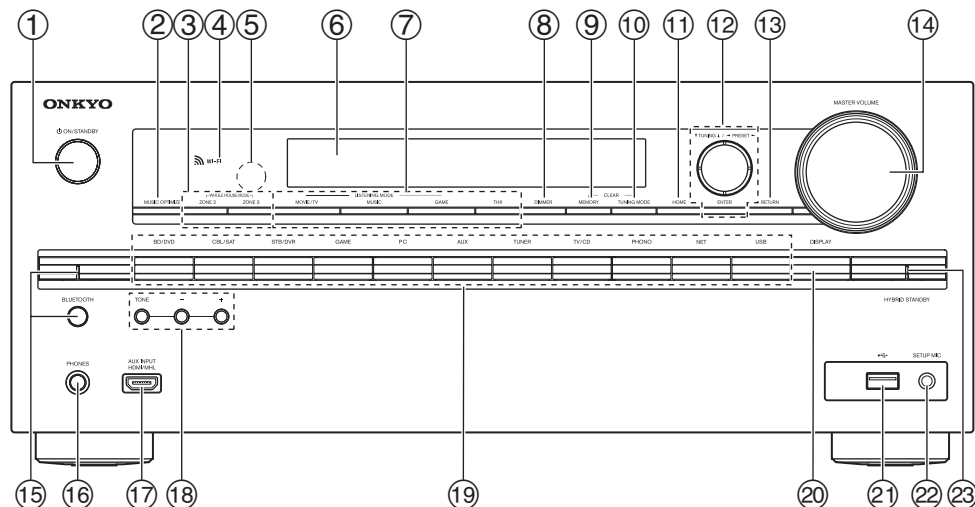
- It may take 20 seconds or more from turning the AV receiver ON to completing the connection because of the start of Bluetooth function.
- Audio is not output from the AV receiver if audio volume on the Bluetooth-enabled device is set small.

For further information, see “Playback” in the Instruction Manual.

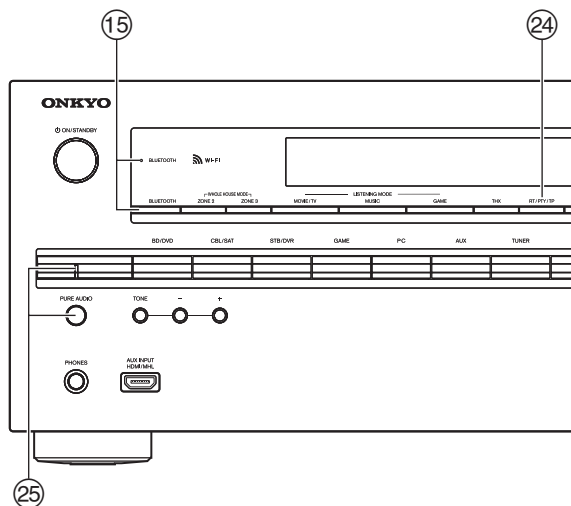
6. Getting to Know the AV receiver

Front Panel

(North American and Taiwanese models)



(European, Australian and Asian models)

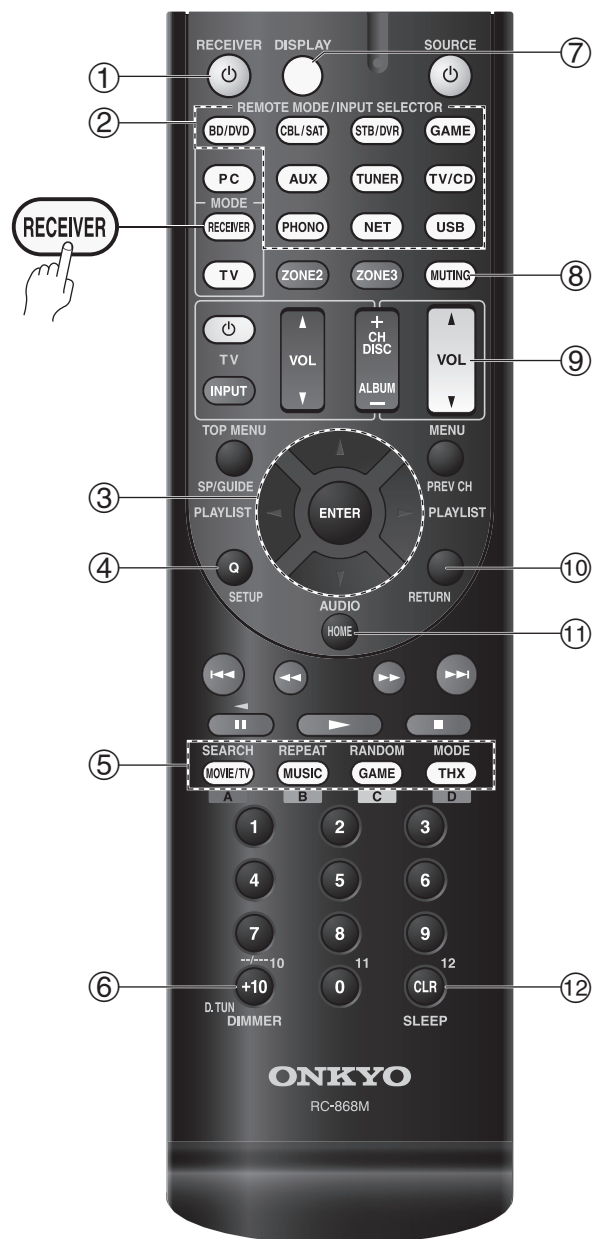


Each input selector button (**BD/DVD**, **GAME**, etc.) selects the input terminal with the same name on the rear panel. Note that these default assignments can be changed. For details, please refer to the instruction manual.

- ① Sets the AV receiver to On or Standby.
- ② **(North American and Taiwanese models)**
The Music Optimizer function enhances the sound quality of compressed music files.
- ③ Selects Zone 2/3.
- ④ Connection to your Access Point starts and **Wi-Fi** indicator flashes.
- ⑤ The remote control sensor receives signals from the remote controller.
- ⑥ Displays various information.
- ⑦ Selects listening modes.
- ⑧ **(North American and Taiwanese models)**
DIMMER: Adjusts the display brightness.
- ⑨ Stores or deletes radio presets.
- ⑩ Selects the Auto or Manual tuning mode.
- ⑪ Accesses the HOME menu.
- ⑫ When the AM or FM input source is selected, **▼ TUNING ▲** are used to tune the tuner, and **◀ PRESET ▶** are used to select radio presets. When used with onscreen menus, they work as cursor buttons to select and set items. **ENTER** is also used with onscreen menus.

- ⑬ Returns to the previous menu.
- ⑭ Adjusts the volume.
- ⑮ **BLUETOOTH** indicator flashes and the AV receiver is put to pairing mode.
- ⑯ Connects a standard pair of stereo headphones.
- ⑰ Connects a camcorder or similar for audio/video playback.
- ⑱ Adjusts the tone.
- ⑲ Selects the input sources.
- ⑳ Displays various information about the currently selected input source.
- ㉑ Connects a USB storage or portable player for playback of music files.
- ㉒ Connects the speaker setup microphone.
- ㉓ Lights depending on the AV receiver's setting status.
- ㉔ **(European, Australian and Asian models)**
RT/PTY/TP: Used for RDS (Radio Data System). RDS works only in areas where RDS broadcasts are available.
- ㉕ **(European, Australian and Asian models)**
Selects the Pure Audio listening mode. The indicator lights when this mode is selected.

Remote Controller



To control the AV receiver, press **RECEIVER** to select Receiver mode.

- ① Sets the AV receiver to On or Standby.
- ② Selects the remote controller modes or the input sources.
- ③ Selects and adjusts settings.
- ④ Accesses the quick setup menus.
- ⑤ Selects listening modes.
- ⑥ Adjusts the display brightness.
- ⑦ Displays various information about the currently selected input source.
- ⑧ Mutes or unmutes the AV receiver.
- ⑨ Adjusts the volume.
- ⑩ Returns to the previous menu.
- ⑪ Accesses the HOME menu.
- ⑫ Used for the Sleep function.

7. Troubleshooting

Can't turn on the AV receiver.

Make sure that the power cord is properly plugged into the wall outlet.

The AV receiver turns off unexpectedly.

The AV receiver will automatically enter standby mode when Auto Standby is set and launched.

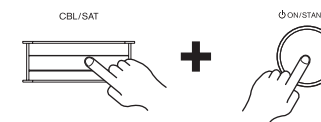
There's no sound, or it's very quiet.

Make sure that the proper digital source is selected.

There's no picture.

Make sure that all video connecting plugs are pushed in all the way.

If you can't resolve the issue yourself, try resetting the AV receiver before contacting your Onkyo dealer. To reset the AV receiver to its factory defaults, turn it on and, while holding down **CBL/SAT**, press **ON/STANDBY**. "Clear" will appear on the AV receiver's display and the AV receiver will enter standby mode.



Note that resetting the AV receiver will delete your radio presets and custom settings.

ONKYO

Onkyo Corporation
<http://www.onkyo.com/>

Onkyo U.S.A. Corporation
Tel: 800-229-1687, 201-785-2600
<http://www.us.onkyo.com/>

Onkyo Europe Electronics GmbH
Tel: +49-8142-4401-0
<http://www.eu.onkyo.com/>

Onkyo Europe Electronics GmbH (UK Branch)
Tel: +44-(0)8712-00-19-96

Onkyo China Limited (Hong Kong)
Tel: 852-2429-3118
<http://www.hk.onkyo.com/>

Onkyo China PRC (Mainland)
Tel: 86-21-52131366
<http://www.cn.onkyo.com/>