

TX-SR501

Basic Operation Guide

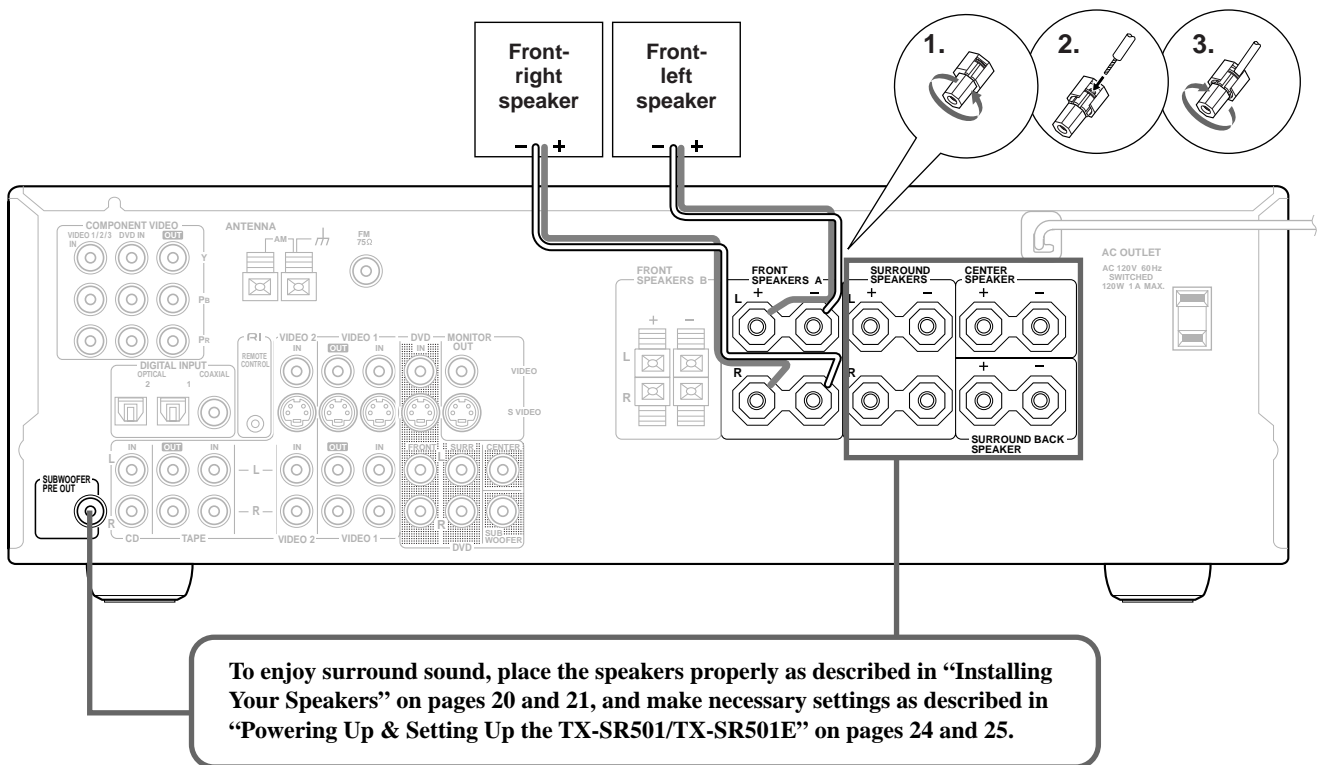
Introduction

- This Guide describes basic operation of this receiver and connected devices (CD, DVD etc.). For further information about the advanced functions of this receiver, please refer to the main instruction manual.
- This Guide does not explain connection details for the unit's rear panel. Please refer to pages 10–23 of the main instruction manual for correct connection information. Otherwise, the entire A/V system may not work properly.
- For more information on the remote controller, refer to the main instruction manual.

Enjoying audio and visual sources

Important notes

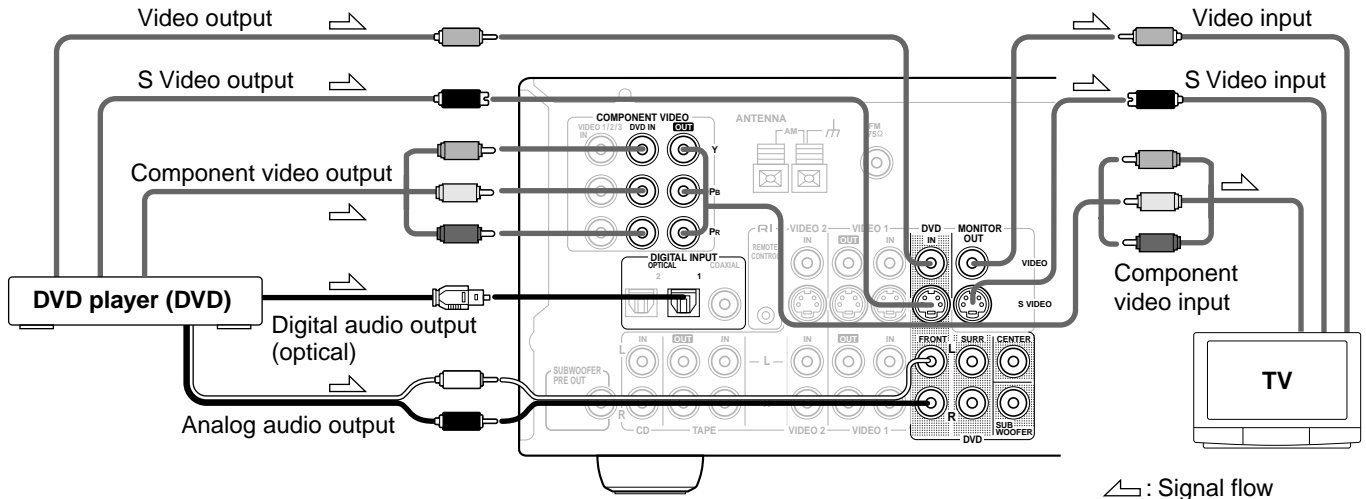
- If MUTING function is activated, the sound will be muted. Make sure MUTING is set to OFF.
- If the headphones are connected, no sound will be heard from the speakers. Do not connect headphones if you wish to listen to the sound from the speakers.



Enjoying DVD

1. Make sure that connections have been made correctly for the monitor TV and the DVD Player.

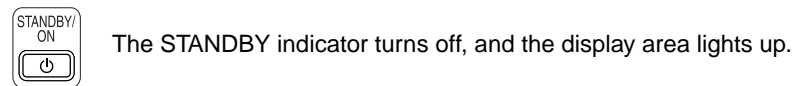
Here, only the typical connections are shown. For details, see pages 12 and 13 of the main manual.



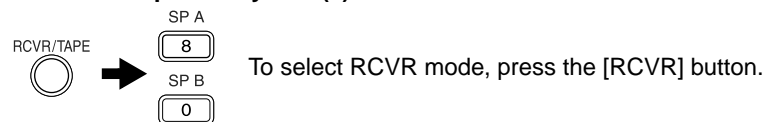
2. Connect the power cord to a wall outlet.



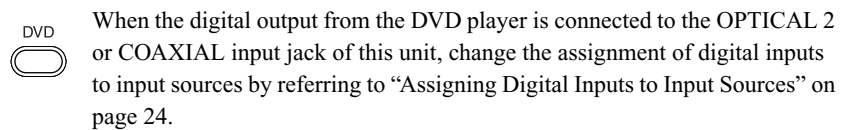
3. Turn on the power.



4. Select the speaker system(s) to be used.



5. Set the Input Select to DVD.



6. Play a DVD.

The video appears on the monitor TV.

To control an Onkyo DVD player

- 1 Make **RI** connection (see page 19 of the main manual).
- 2 Press DVD, then press the desired operation button (see page 42 of the main manual). **⏻/I**, **▶**, **■**, **▶▶**, **◀◀**, **||**, **▶▶**, **◀◀**, **DISC**, 1-9, +10, 0, **TOP MENU**, **MENU**, **RETURN**, **SETUP**, **▲/▼/◀/▶**, and **ENT** buttons can be used.

7. Adjust the volume.

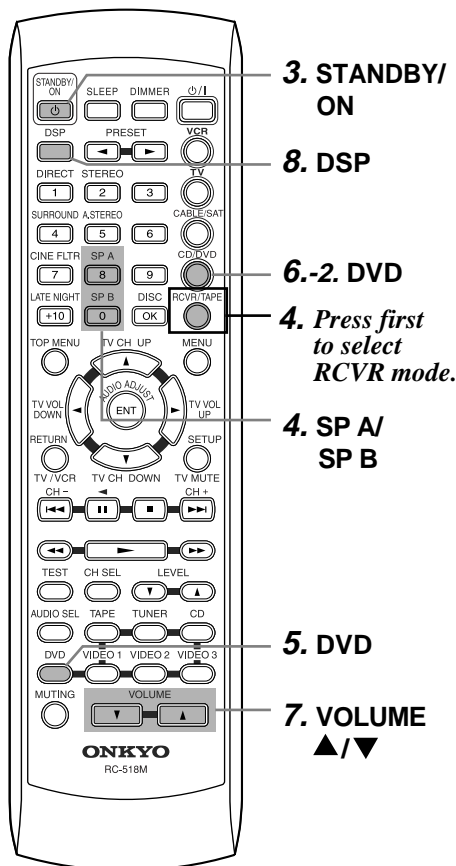


8. Select the listening mode.



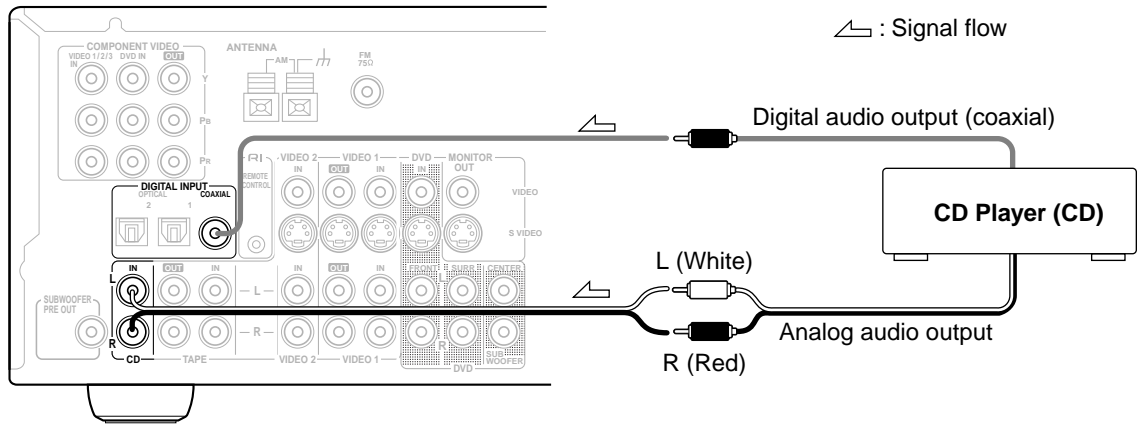
For details, see pages 34-36 of the main manual.

- To enjoy multi channel input, see page 29 of the main manual.



Enjoying Audio Compact Discs (CDs)

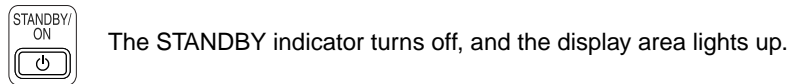
1. Make sure that connections have been made correctly for the CD Player. Here, only the typical connections are shown. For details, see page 17 of the main manual.



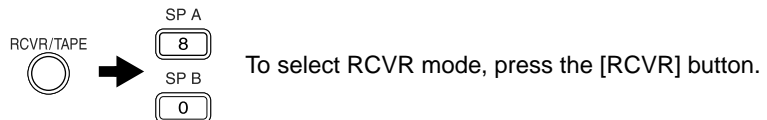
2. Connect the power cord to a wall outlet.



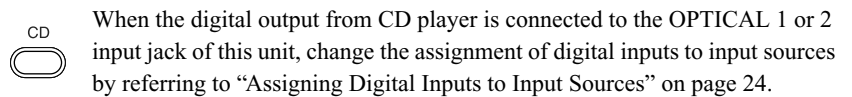
3. Turn on the power.



4. Select the speaker system(s) to be used.



5. Set the Input Select to CD.



6. Play a CD.

To control an Onkyo CD player

- 1 Make **RI** connection (see page 19 of the main manual).
- 2 Enter the manufacturer's code "300" into the remote controller (see page 41 of the main manual).
- 3 Press CD, then press the desired operation button (see page 42 of the main manual). **0/1**, **▶**, **■**, **▶▶**, **◀◀**, **||**, **▶▶**, **◀◀**, **DISC**, 1-9, +10, 0 buttons can be used.

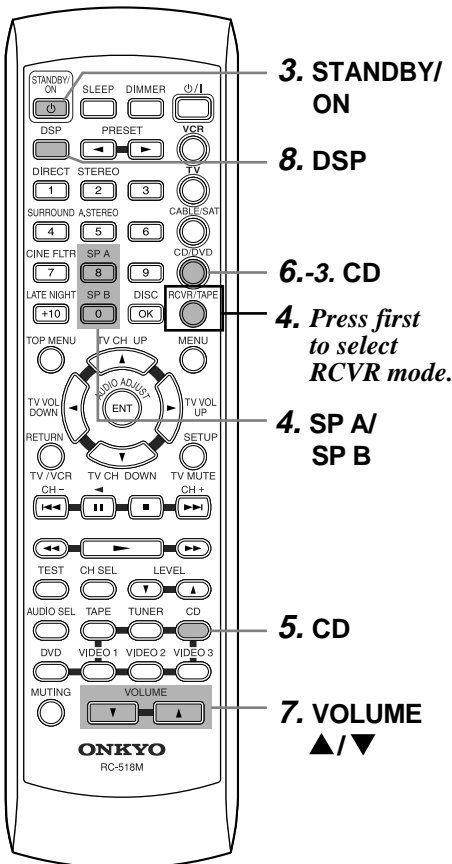
7. Adjust the volume.



8. Select the listening mode.



For details, see pages 34-36 of the main manual.



3. STANDBY/
ON

8. DSP

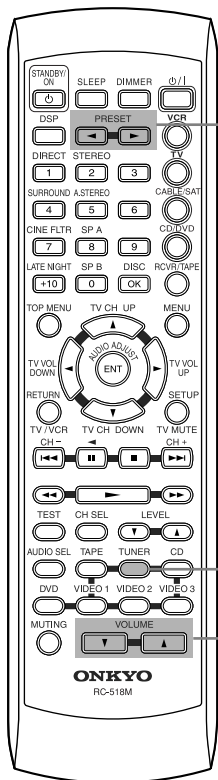
6.-3. CD

4. Press first
to select
RCVR mode.

4. SP A/
SP B

5. CD

7. VOLUME
▲/▼



Enjoying the FM/AM radio

1. Make sure that the power to the TX-SR501 has been turned on, and the antenna connections have been made correctly. (See pages 22 and 23 of the main manual.) Also, make sure that broadcast stations have been programmed as presets. (See page 30 and 31 of the main manual.)

2. Set the Input Select to TUNER (FM or AM).



3. Select the desired preset station.



4. Adjust the volume and tonal quality.



If no sound is heard

Refer to the following table for the cause and corrective action. There may be a problem with a connected device. Refer to the user's guide of the connected device and make sure that all connections have been made correctly.

The power is turned on but no sound is heard.	The input signal format does not match the audio selection (PCM, DTS, or Multich).	➡	Check the connector being used and select an appropriate audio option (Auto or Analog). (See page 28 and 29 of the main manual.)
	The speaker select switch setting is incorrect.	➡	Match the speaker select switch setting to the speakers you are using. (See page 32 of the main manual.)
	The MUTING indicator flashes.	➡	Press the MUTING button to turn off the MUTING indicator. (See page 33 of the main manual.)
	Connections are incorrect.	➡	Make sure that all connections are made correctly. (See pages 10–23 of the main manual.)
The power is not turned on, and no sound is heard.	The power is disconnected from the AC outlet.	➡	Plug the power cable to the AC outlet securely.
	External noise has affected the internal CPU.	➡	Unplug the power cable from the AC outlet, wait five seconds, then plug it again.

ONKYO CORPORATION

Sales & Product Planning Div. : 2-1, Nisshin-cho, Neyagawa-shi, OSAKA 572-8540, JAPAN
Tel: 072-831-8111 Fax: 072-831-8124

ONKYO U.S.A. CORPORATION

18 Park Way, Upper Saddle River, N.J. 07458, U.S.A.
Tel: 201-785-2600 Fax: 201-785-2650 <http://www.onkyousa.com>

ONKYO EUROPE ELECTRONICS GmbH

Liegnitzerstrasse 6, 82194 Groebenzell, GERMANY
Tel: +49-8142-4401-0 Fax: +49-8142-4401-555 <http://www.onkyo.net>

ONKYO CHINA LIMITED

Units 2102-2107, Metroplaza Tower I, 223 Hing Fong Road, Kwai Chung, N.T., HONG KONG Tel: 852-2429-3118 Fax: 852-2428-9039

