

**OPTIMUS®**

Cat. No. 40-4074

## STS 150 Speaker System

Your Optimus STS 150 Speaker System has a 2-way acoustic suspension design that utilizes an 8-inch specially treated cone surrounded by rubber to yield excellent low-end response and tight, clean bass. A 1-inch mylar tweeter diaphragm provides clear and natural high-frequency sound reproduction.

The speaker cabinet is solid in construction and is finished in woodgrain vinyl. The decorative grille is acoustically transparent.

**Note:** You need speaker wire (not supplied) to connect your speaker.

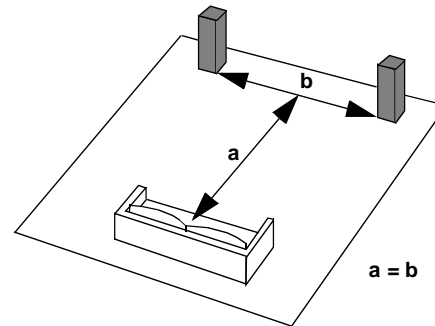
### SPEAKER PLACEMENT

#### Cautions:

- To prevent the cabinet from warping or discoloring, do not place the speaker where it is exposed to direct sunlight or excessive humidity.
- Do not place the speaker where it might be knocked over or hit by falling objects.

Where and how you position each STS-150 speaker has a great effect on the overall performance of your sound system.

For the best sound and stereo effect, place the speakers so the distance between them is about the same as the distance between the listening area and a point halfway between the speakers.



If you place the speakers too far apart, a sound "hole" could occur and you might not get the proper stereo image in the listening area. Compensate for this by angling the speakers slightly in toward the listening area.

If you place the speakers too close together, you could cancel out the stereo image and the sound might seem to be monaural. Compensate for this by angling the speakers slightly away from the listening area.

© 1996 Tandy Corporation.  
All Rights Reserved.

Optimus is a registered trademark used by Tandy Corporation  
RadioShack is a trademark used by Tandy Corporation.



For the maximum increase in bass response, place your speakers directly on the floor and positioned against a wall or in a corner.

To decrease the bass response, raise your speakers off the floor or move them away from the wall or corner.

Avoid placing your speakers on a surface that absorbs sound, such as thick carpeting. We recommend you experiment to find the best setup for your sound system.

## CONNECTIONS

### Cautions:

- Take care never to exceed the speaker's maximum power rating (see "Specifications").
- To avoid any damage to the speaker or amplifier/receiver, turn off the amplifier/receiver before making connections.

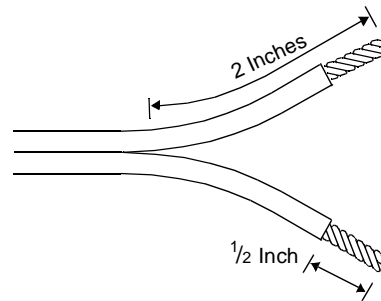
### Notes:

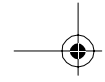
- Use 18-gauge speaker wire for distances up to 25 feet. For greater distance, use 16-gauge wire. Your local RadioShack store has a wide selection of speaker wire.

- We recommend you use color-coded or marked wire to help you correctly connect the wire. Some color-coded wires have a stripe running down one side of the conductor's insulation. Some marked wires have ridges along one side of the conductor's insulation.

Follow these steps to connect each speaker to your receiver/amplifier.

1. With the speakers placed in the selected locations, route the speaker wire from each speaker to the receiver/amplifier.
2. Separate the conductors for a length of about 2 inches on each end.
3. Strip  $\frac{1}{2}$  inch of insulation from the ends of each conductor, then twist each end.





4. Press the right speaker's red (positive) terminal tab and insert the marked conductor into the opening, then release the tab.

**Note:** Improper phasing can decrease bass sounds. Be sure to connect speaker terminals in proper phase (+ to + and – to –).

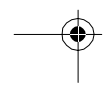
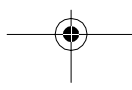
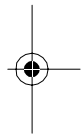
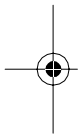
5. Press the right speaker's black (negative) terminal tab and insert the other conductor into the opening, then release the tab.
6. Insert the other end of the marked conductor into your receiver/amplifier's right positive terminal.
7. Connect the remaining conductor to the receiver/amplifier's right negative terminal.
8. Repeat these steps for the left speaker.

## MAINTENANCE

Your Optimus STS 150 Speaker System is an example of superior design and craftsmanship. The following suggestions will help you care for the speaker so you can enjoy it for years.

- Keep the speaker dry. If it gets wet, wipe it dry immediately. Liquids contain minerals that can corrode electronic circuits.
- Keep the speaker away from dust and dirt, which can cause premature wear of parts.
- Occasionally wipe the cabinet with a cloth dampened with furniture polish to keep it looking new. Do not use harsh chemicals, cleaning solvents, or strong detergents to clean the speaker cabinet.
- Use and store the speaker in normal temperature environments. Temperature extremes can shorten the life of electronic circuits.

**Caution:** Do not clean the speaker with a vacuum cleaner. This might permanently damage it. Clean the speaker grille with a feather duster or soft cloth.



---

---

## SPECIFICATIONS

Speaker Complement .....	8-Inch High-Compliance Woofer 1-Inch Ferrofluid Cooled Tweeter
Impedance .....	Nominal 8 Ohms
Frequency Response .....	65 Hz–18 kHz
Power Handling .....	50 Watts RMS
Maximum Power .....	100 Watts
Sensitivity .....	89 dB @ 2.83 V
Dimensions (HWD) .....	14 <sup>1</sup> / <sub>4</sub> ¥ 10 <sup>9</sup> / <sub>16</sub> ¥ 8 <sup>1</sup> / <sub>4</sub> Inches (35.5 ¥ 25.4 ¥ 21 cm)
Shipping Weight .....	11 lb (4.9 kg)

Specifications are typical; individual units might vary. Specifications are subject to change and improvement without notice.

### RadioShack Limited Warranty

This product is warranted against defects for 5 years from date of purchase from RadioShack company-owned stores and authorized RadioShack franchisees and dealers. Within this period, we will repair it without charge for parts and labor. Simply **bring your RadioShack sales slip** as proof of purchase date to any RadioShack store. Warranty does not cover transportation costs. Nor does it cover a product subjected to misuse or accidental damage.

EXCEPT AS PROVIDED HEREIN, RadioShack MAKES NO EXPRESS WARRANTIES AND ANY IMPLIED WARRANTIES ARE LIMITED IN DURATION TO THE DURATION OF THE WRITTEN LIMITED WARRANTIES CONTAINED HEREIN. Some states do not permit limitation or exclusion of implied warranties; therefore, the aforesaid limitation(s) or exclusion(s) may not apply to the purchaser.

This warranty gives you specific legal rights and you may also have other rights which vary from state to state.

*We Service What We Sell*

10/95

**RadioShack**  
**A Division of Tandy Corporation**  
**Fort Worth, Texas 76102**