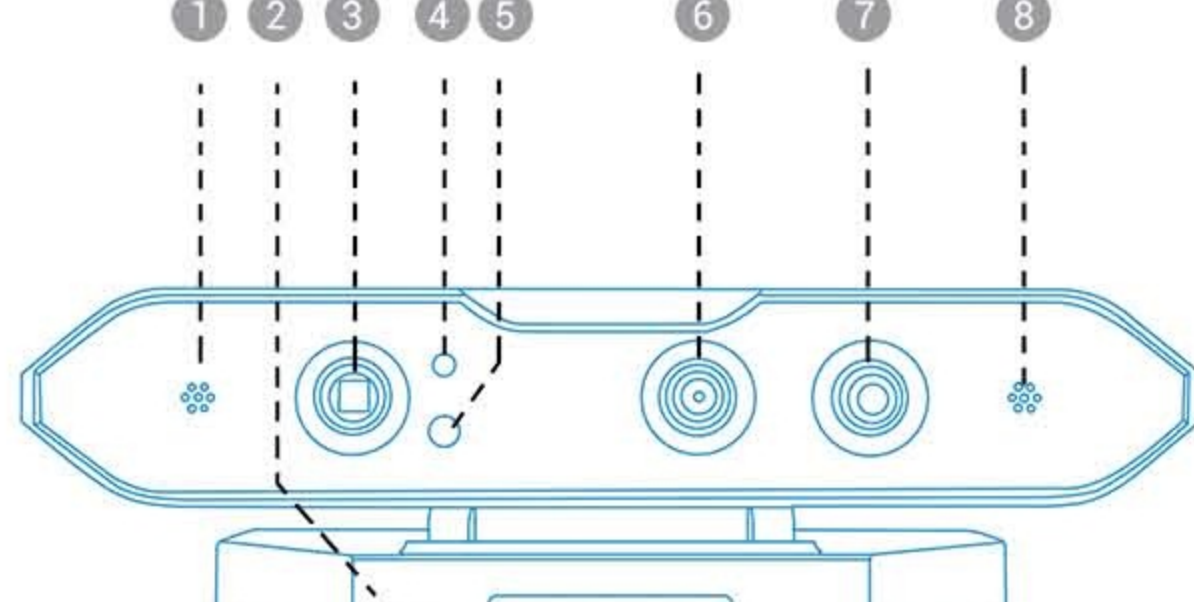


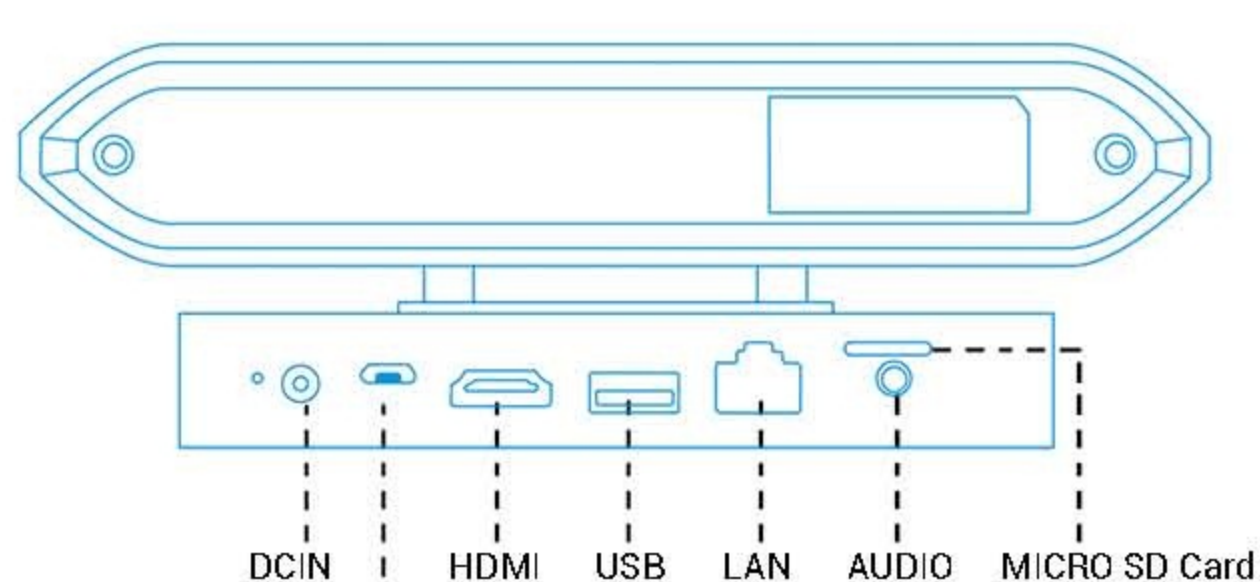
FCC ID:2AKII-PERSEEG1

Product Configuration

S/N	Product	Quantity
1	Persee camera	1
2	Power adapter	1
3	HDMI cable	1
4	Remote control (Battery :CR2016 not included)	1
5	Instruction Manual	1

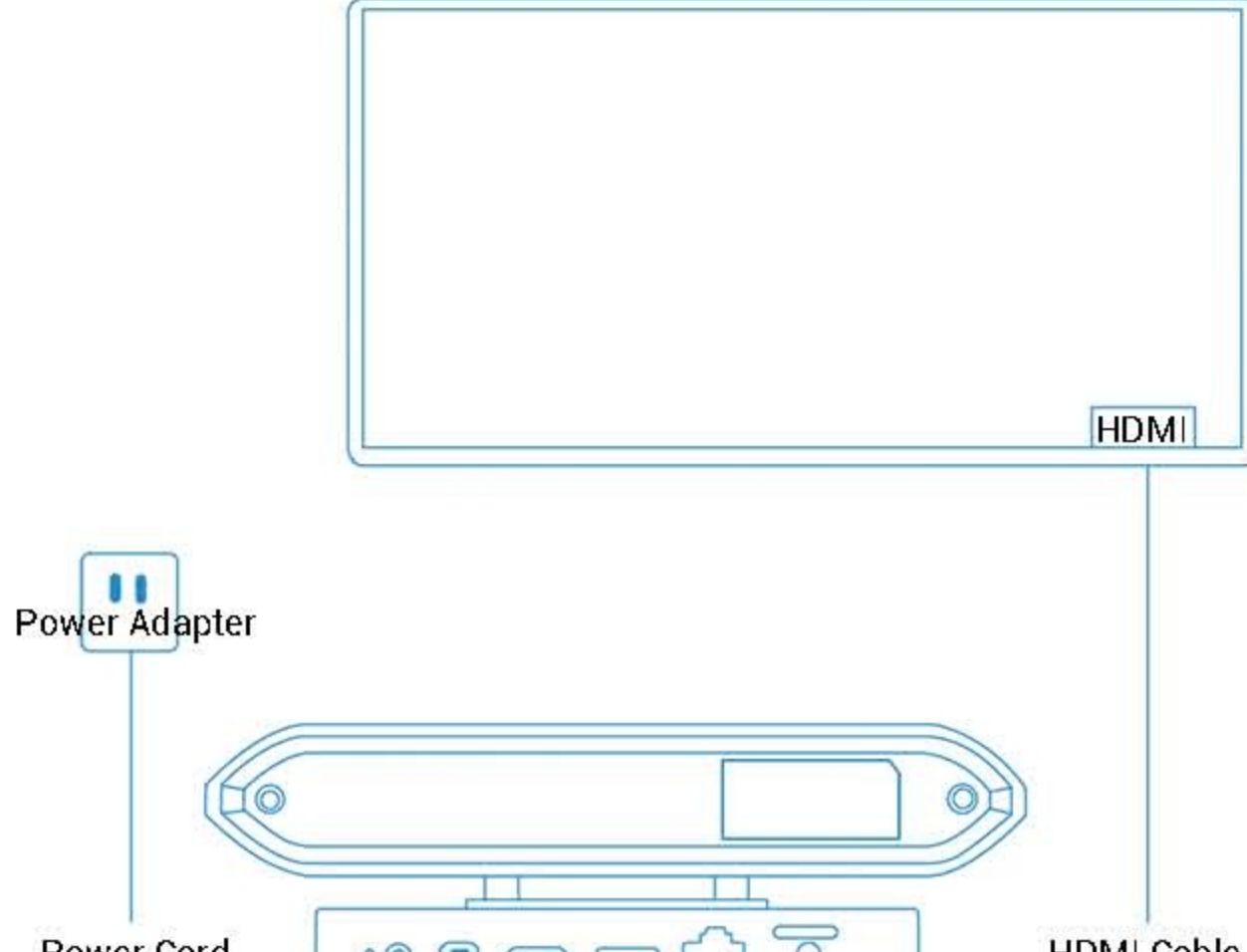


Code	Explanation
1,8	Microphone (Stereo), built-in
2	Infrared receiving port (for remote control)
3	Laser projector
4,5	Proximity sensor
6	RGB camera
7	Depth camera



- 1) Persee is connected to the HDTV or display through HDMI cable. It will automatically power on if the power adapter and HDMI cable are connected correctly.
- 2) Other port connections:
 - 1)USB 2.0 port: For USB flash drive, USB mouse, keyboard, 2.4G wireless mouse and other devices.
 - 2)Ethernet port (LAN): Access router, modem and other devices through Ethernet cable.
 - 3)MicroSD card slot: Up to 32GB microSD card.
 - 4)Audio port: 3.5mm headphone jack.

Connection



Optimized Tracking Area

After placing the Persee in the proper position, user should move to the optimized tracking area for best experience.

Move to the optimized tracking area for best experience



Operation Tips

Thank you very much for purchasing the Orbbec Persee. Before the first operation, please read the following contents in detail to help you get familiar with the operation

- 1) Please disconnect the power to protect the product when the product is not in use.
- 2) Do not place any objects on top of the product.
- 3) The product should not be exposed to water, high temperature. Do not overexpose to direct sunlight.
- 4) This product utilizes advanced laser technology and the optimized tracking distance is 1.5m - 4m. The infrared sensor is a sensing device that will identify and focus on multiple objects. For best focus, limit the viewing area to a single object.
- 5) Orbbec is committed to optimizing and improving the products continuously without prior notice, and the specific configuration and operation approaches are subject to the specific product.
- 6) The remote control is designed for the basic operation of Persee.
- 7) The micro USB port is intended for system installation only.

Simple Troubleshooting

Troubleshooting	Solutions
Unable to boot after connecting the power	Re-plug the power adapter
No Audio	Adjust HDMI in setting
The software runs abnormally	Update to the correct software version (Available at orbbec3d.com)

FCC statement

This device complies with Part 15 of the FCC Rules: Operation is subject to the following two conditions:

1. This device may not cause harmful interference and
2. This device must accept any interference that is received, including any interference that may cause undesired operation.

Human exposure to RF emissions from mobile devices (47 CFR §2.1091) may be evaluated based on the MPE limits adopted by the FCC for electric and magnetic field strength and/or power density, as appropriate, since exposures are assumed to occur at distances of 20 cm or more from persons.

This device is acting as slave and operating in the 2.4 GHz (2412 ~2462 MHz & 2402 -2480 MHz) band.

Ad Hoc function is supported but not able to operate on non-US frequencies.

Do not use the device with the environment which below minimum -10 °C or maximum over 50°C .

NOTE: This equipment has been tested and found to comply with the limits for a Class B digital device, pursuant to part 15 of the FCC Rules. These limits are designed to provide reasonable protection against harmful interference in a residential installation. This equipment generates uses and can radiate radio frequency energy and, if not installed and used in accordance with the instructions, may cause harmful interference to radio communications. However, there is no guarantee that interference will not occur in a particular installation. If this equipment does cause harmful interference to radio or television reception, which can be determined by turning the equipment off and on, the user is encouraged to try to correct the interference by one or more of the following measures:

- Reorient or relocate the receiving antenna.
- Increase the separation between the equipment and receiver.
- Connect the equipment into an outlet on a circuit different from that to which the receiver is connected.
- Consult the dealer or an experienced radio/TV technician for help

Changes or modifications to this unit not expressly approved by the party responsible for compliance could void the user's authority to operate the equipment.